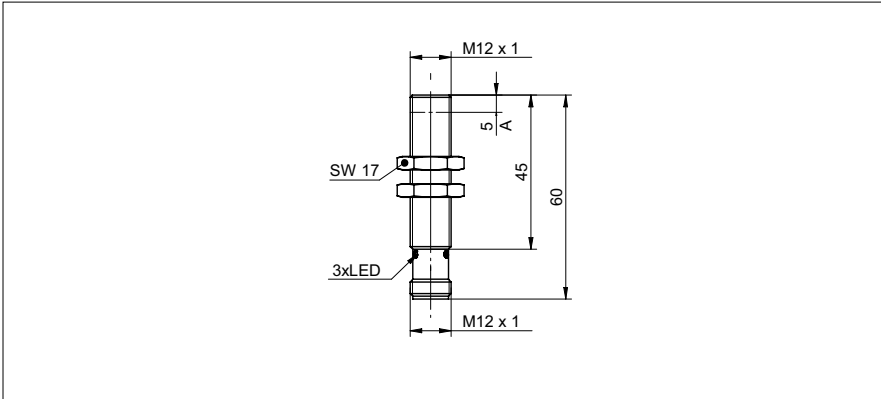


# Inductive distance measuring sensors

**IR12.D03K-11158152**

**dimension drawing**



**general data**

mounting type	flush
special type	linearized high sensitivity
measuring distance Sd	2,75 ... 3 mm
sensitivity	64 mA/mm (Range: 0,25 mm)
resolution	< 0,001 mm (stat.) < 0,001 mm (dynam.)
repeat accuracy	< 0,005 mm
adjustment	external Teach-in
teach	1-point analog, factory reset
linearity error	± 5 µm
temperature drift	± 4 % (Full Scale; +10 ... +30 °C) ± 12 % (Full Scale; -10 ... +60 °C)

**electrical data**

response time (factory characteristic)	< 3 ms
voltage supply range +Vs	8 ... 30 VDC
current consumption max. (no load)	15 mA
output circuit	current output
output signal	4 ... 20 mA
load resistance	< 25 Ohm/V * Vs
short circuit protection	yes
reverse polarity protection	yes

**mechanical data**

type	cylindrical threaded
material (sensing face)	ceramic
housing material	steel nickel plated
dimension	12 mm
housing length	60 mm
connection types	connector M12
tightening torque max.	15 Nm

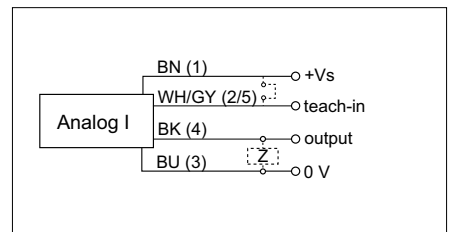
**ambient conditions**

operating temperature	-10 ... +60 °C
protection class	IP 67

**photo**



**connection diagram**



- measuring range (0,25 mm) adjustable within 1 - 3 mm
- linear analog output
- high sensitivity (other sensitivities on request)