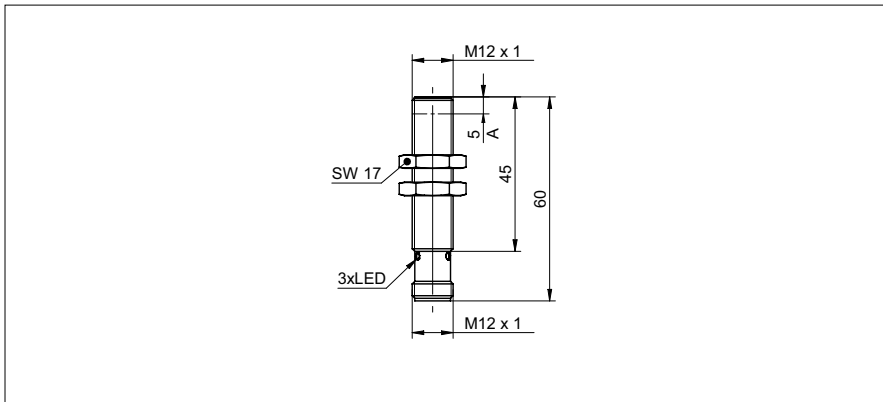


Inductive distance measuring sensors

IR12.D06L-11135332

dimension drawing



general data

mounting type	quasi-flush
special type	2 adjust. switching points linearized
measuring distance Sd	0 ... 6 mm
sensitivity	1,67 V/mm
resolution	< 0,003 mm (stat.) < 0,005 mm (dynam., S = 0 ... 4 mm) < 0,022 mm (dynam., S = 0 ... 6 mm)
repeat accuracy	< 0,01 mm
adjustment	external Teach-in
teach	1-point analog, window digital, factory reset
linearity error	± 25 µm (S = 0 ... 4 mm) ± 60 µm (S = 0 ... 6 mm)
temperature drift	± 2 % (Full Scale; S = 0 ... 4 mm) ± 5 % (Full Scale; S = 0 ... 6 mm)

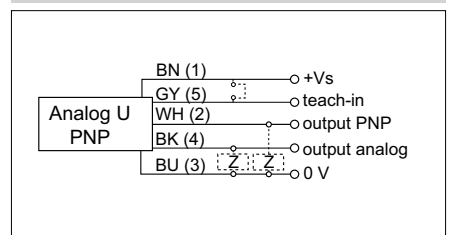
photo



electrical data

response time (factory characteristic)	< 1 ms
voltage supply range +Vs	12 ... 36 VDC
current consumption max. (no load)	15 mA
output circuit	voltage output / PNP
output signal	0 ... 10 VDC
load resistance	> 4000 Ohm
output current	< 100 mA (PNP)
short circuit protection	yes
reverse polarity protection	yes

connection diagram



mechanical data

type	cylindrical threaded
housing material	brass nickel plated
dimension	12 mm
housing length	60 mm
connection types	connector M12
tightening torque max.	15 Nm (A: 10 Nm)

ambient conditions

operating temperature	-25 ... +75 °C (Vs = 12 ... 30 VDC) -25 ... +60 °C (Vs = 12 ... 36 VDC)
protection class	IP 67



- external Teach-in
- integrated analog- and switching output
- linear analog output