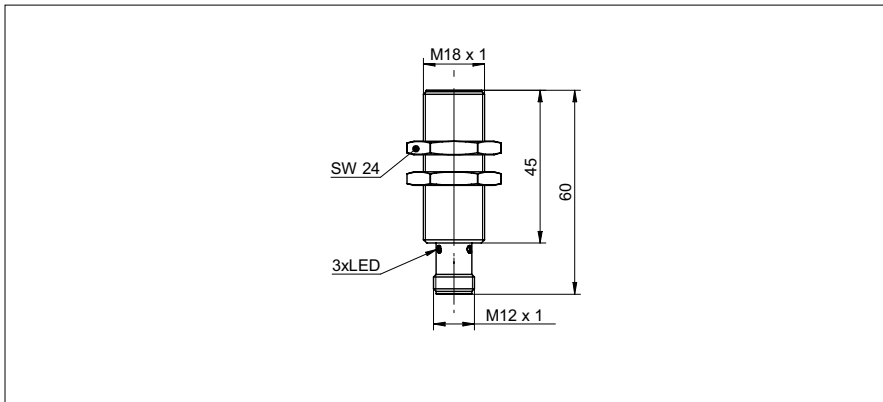


# Inductive distance measuring sensors

## IR18.D08M-11141093

**dimension drawing**



**general data**

mounting type	flush
special type	linearized for aluminum
measuring distance Sd	0 ... 8 mm
sensitivity	1,25 V/mm
resolution	< 0,07 mm (stat.) < 0,33 mm (dynam.)
repeat accuracy	< 0,07 mm
adjustment	external Teach-in
teach	1-point analog, 2-point analog, factory reset
linearity error	± 70 µm
temperature drift	± 3 % (Full Scale; S = 0 ... 6 mm) ± 5 % (Full Scale; S = 0 ... 8 mm)

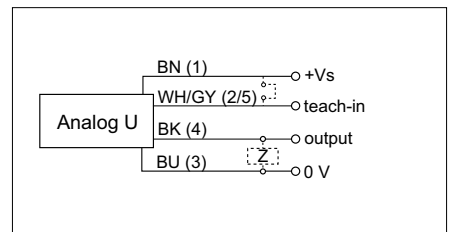
**photo**



**electrical data**

response time (factory characteristic)	< 2 ms
voltage supply range +Vs	12 ... 36 VDC
current consumption max. (no load)	15 mA
output circuit	voltage output
output signal	0 ... 10 VDC
load resistance	> 4000 Ohm
short circuit protection	yes
reverse polarity protection	yes

**connection diagram**



**mechanical data**

type	cylindrical threaded
material (sensing face)	PBT
housing material	brass nickel plated
dimension	18 mm
housing length	60 mm
connection types	connector M12
tightening torque max.	40 Nm

**ambient conditions**

operating temperature	-25 ... +75 °C
protection class	IP 67



- external Teach-in
- linear analog output
- optimized for aluminum