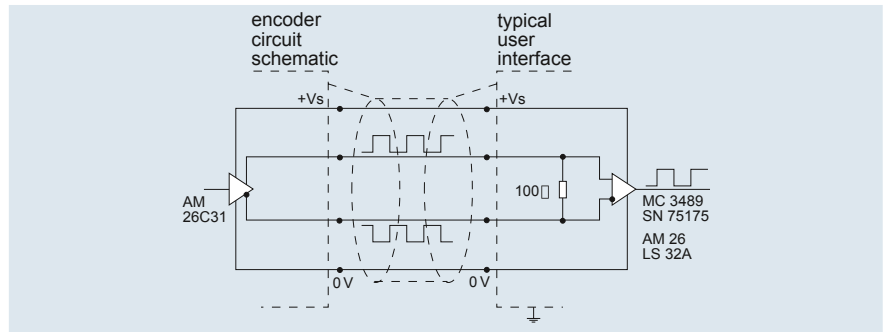


Output circuits

Incrementale encoder

Complementary linedriver

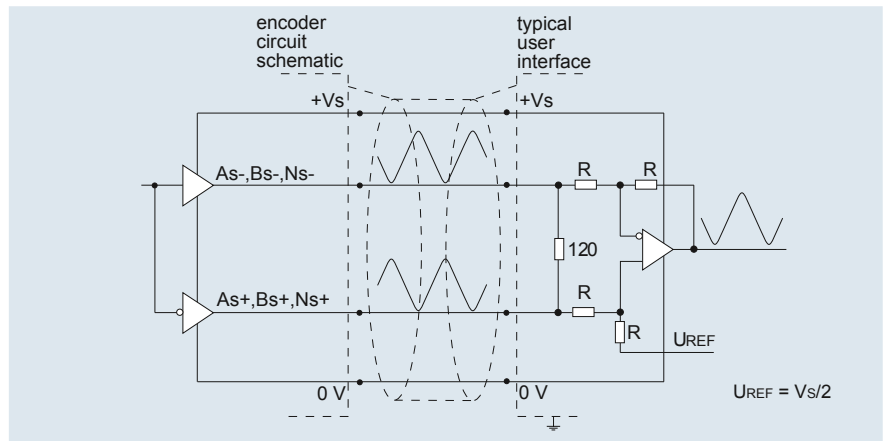
05A



voltage supply	5 VDC $\pm 10\%$
level of signal	$U_{High} \geq 2.4\text{ V}$ at $-I_{High} = 20\text{ mA}$ $U_{Low} \leq 0.4\text{ V}$ at $I_{Low} = 20\text{ mA}$
supply current	see product page
special features	EIA-standard RS 422
preferred application	when EMI is present and with long cable lengths

Sine

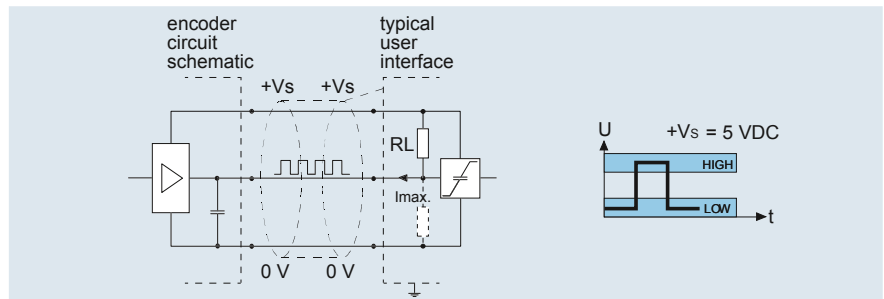
05S



voltage supply	5 VDC $\pm 5\%$
supply current	see product page
level of output signal	approx. 1 Vpp
preferred application	for external interpolation

Push-pull short-circuit protection (TTL-compatible)

05T



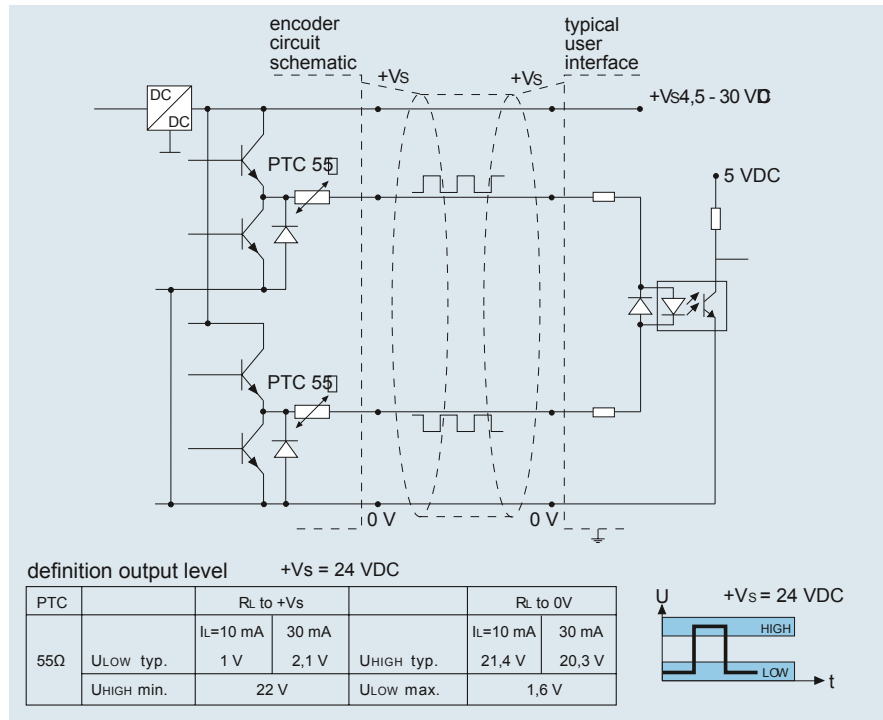
voltage supply	5 VDC $\pm 5\%$
level of signal	$U_{High} \geq 3.2\text{ V}$ at $-I_{High} = 1\text{ mA}$ $U_{Low} \leq 0.2\text{ V}$ at $I_{Low} = 5\text{ mA}$
supply current	see product page
preferred application	with short cable lengths

Output circuits

Incrementale encoder

Push-pull
complementary
short-circuit
protection

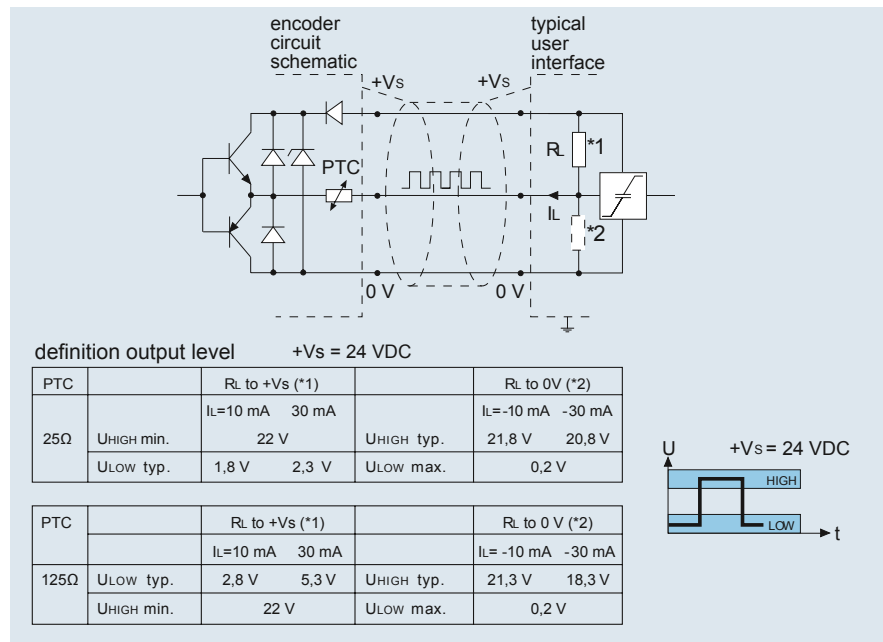
25W



voltage supply	4.5 - 30 VDC
level of signal	depends on voltage supply
supply current	see product page
output current	max. 40 mA
preferred application	when EMI is present and with long cable length

Push-pull
short-circuit
protection

24K



voltage supply	10 - 30 VDC reverse polarity protected
level of signal	depends on voltage supply
supply current	see product page
output current	max. 30 mA
preferred application	for cable length up to 20 m
PTC-resistance	25 Ω (exception: BDK, BHK 125 Ω)