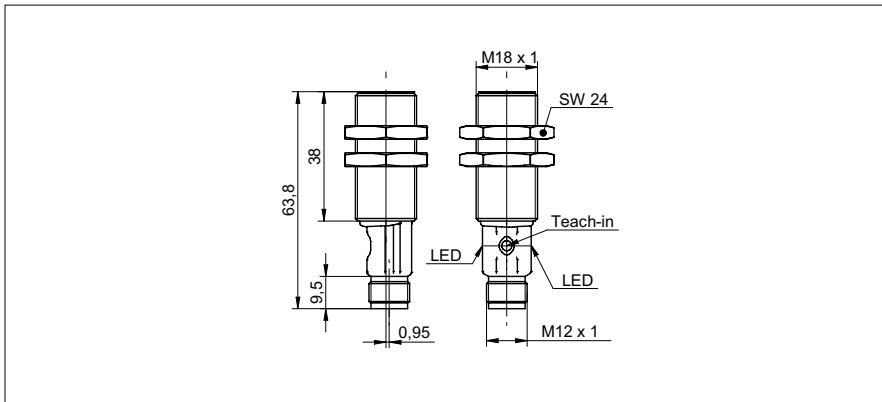


**Ultrasonic retro-reflective sensors**

**UR18.RA0-11120042**

**dimension drawing**



**general data**

scanning range sd	0 ... 1000 mm
reflector position Sde	200 ... 1000 mm
adjusting range reflector (operating range)	± 2,5 % Sde
adjusting range reflector (limit range)	± 5 % Sde
repeat accuracy	< 3 mm
temperature drift	< 2 % Sde
power-up drift	compensated after 10 min.
response time ton	< 50 ms
release time toff	< 50 ms
sonic frequency	220 kHz
adjustment	qTeach
alignment aid	light indicator flashing
light indicator	LED yellow
power on indication	LED green
alignment measuring axis	< 2°

**electrical data**

voltage supply range +Vs	12 ... 30 VDC
current consumption typ.	35 mA
output circuit	push-pull
output current	< 100 mA
voltage drop Vd	< 3,5 VDC
residual ripple	< 10 % Vs
short circuit protection	yes
reverse polarity protection	yes

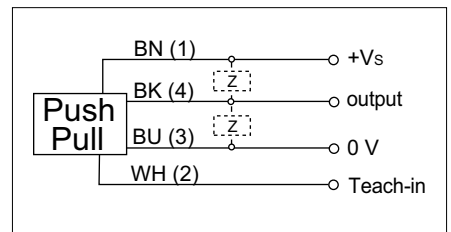
**mechanical data**

type	cylindrical threaded
housing material	brass nickel plated / TR90
width / diameter	18 mm
height / length	64 mm
connection types	connector M12

**photo**



**connection diagram**



**Ultrasonic retro-reflective sensors****UR18.RA0-11120042****ambient conditions**

operating temperature	-25 ... +70 °C
storage temperature	-40 ... +85 °C
protection class	IP 67