

# Size 1\*, 3 and 23 Square Body High Speed Traction Fuse Links for Third Rail Applications 50A to 1600A, 750Vdc

**Catalogue Symbol:** 170M2000 to 170M2005  
170M2010 to 170M2016  
170M2017 to 170M2021

**Class of Operation:** aR size 1\*  
gR size 3 and 23

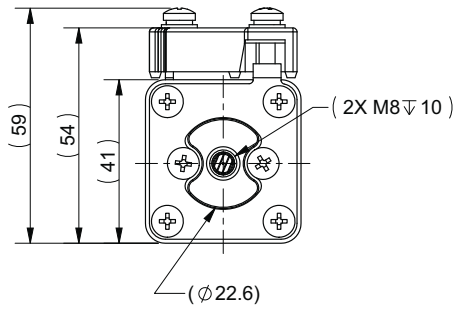
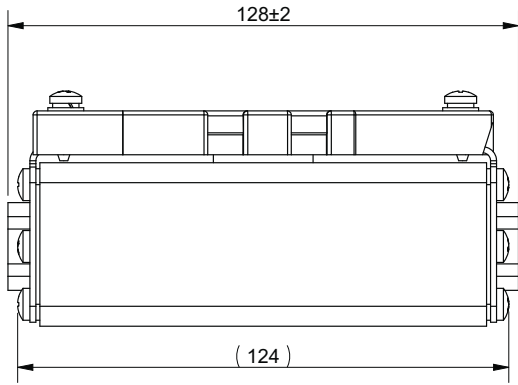
**Fuse Size:** 1\*, 3 and 23

**Standards/Approvals:** IEC 60269

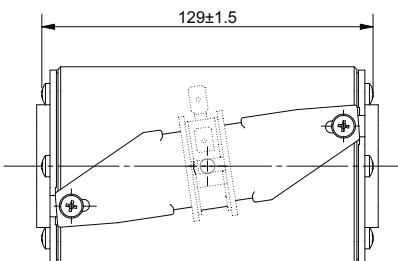
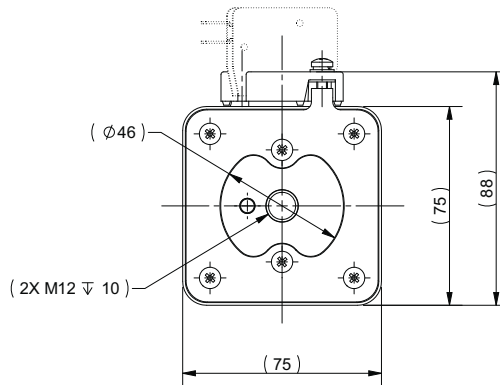
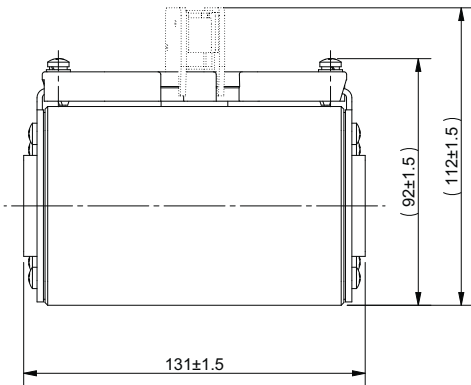
**Microswitch (optional):** 170H0069 Type K  
indicator, 6.3 x 0.8mm  
lugs. 1.5V operating  
voltage.

**Dimensions - mm**

170M2000 to 170M2005 - Flush End - Size 1\* - 50 to 160A



170M2010 to 170M2016 - Flush End - Size 3 - 450 to 800A



Size 1\* = Size 1 Compact Size



**Description:** A range of high speed square body traction fuse links which provides superior protection for harsh DC traction third rail applications up to 750Vdc.

**Packaging:** MOQ: 1  
Packaging 100% recyclable

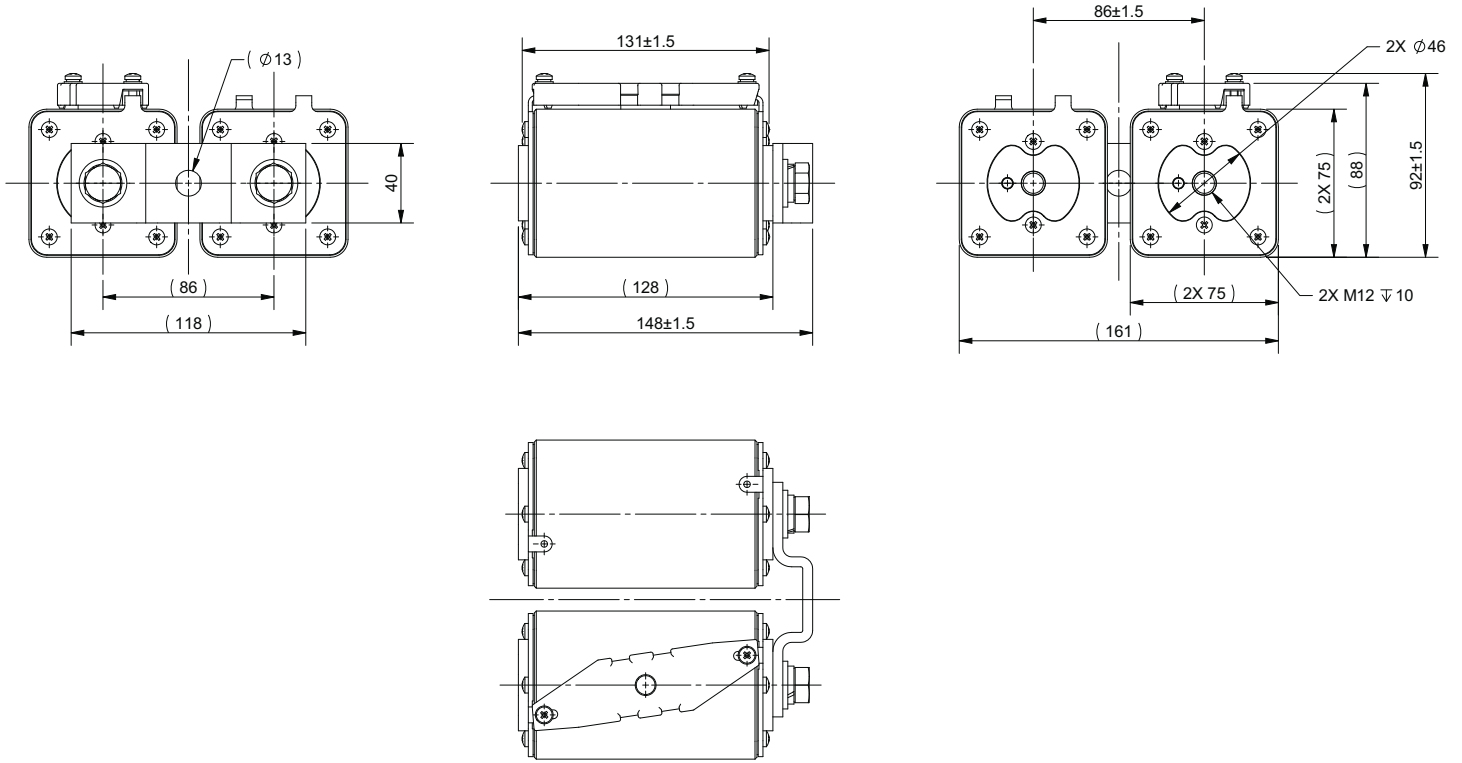
**Technical Data:**  
Rated Voltage: 750Vdc  
Rated Current/Mounting Method:  
50-160A, Size 1, Flush End  
450-800A, Size 3, Flush End  
1000-1600A, Size 23, Parallel

**Tested Breaking Capacity:**  
Size 1\* 85kA at 750Vdc, L/R 95ms  
80kA at 950Vdc, L/R 40ms  
Size 3 and 23  
110kA at 750Vdc, L/R 40ms

# Size 1\*, 3 and 23 Square Body High Speed Traction Fuse Links for Third Rail Applications 50A to 1600A, 750Vdc

## Dimensions - mm

170M2017 to 170M2021 - Parallel - Size 23 - 1000 to 1600A



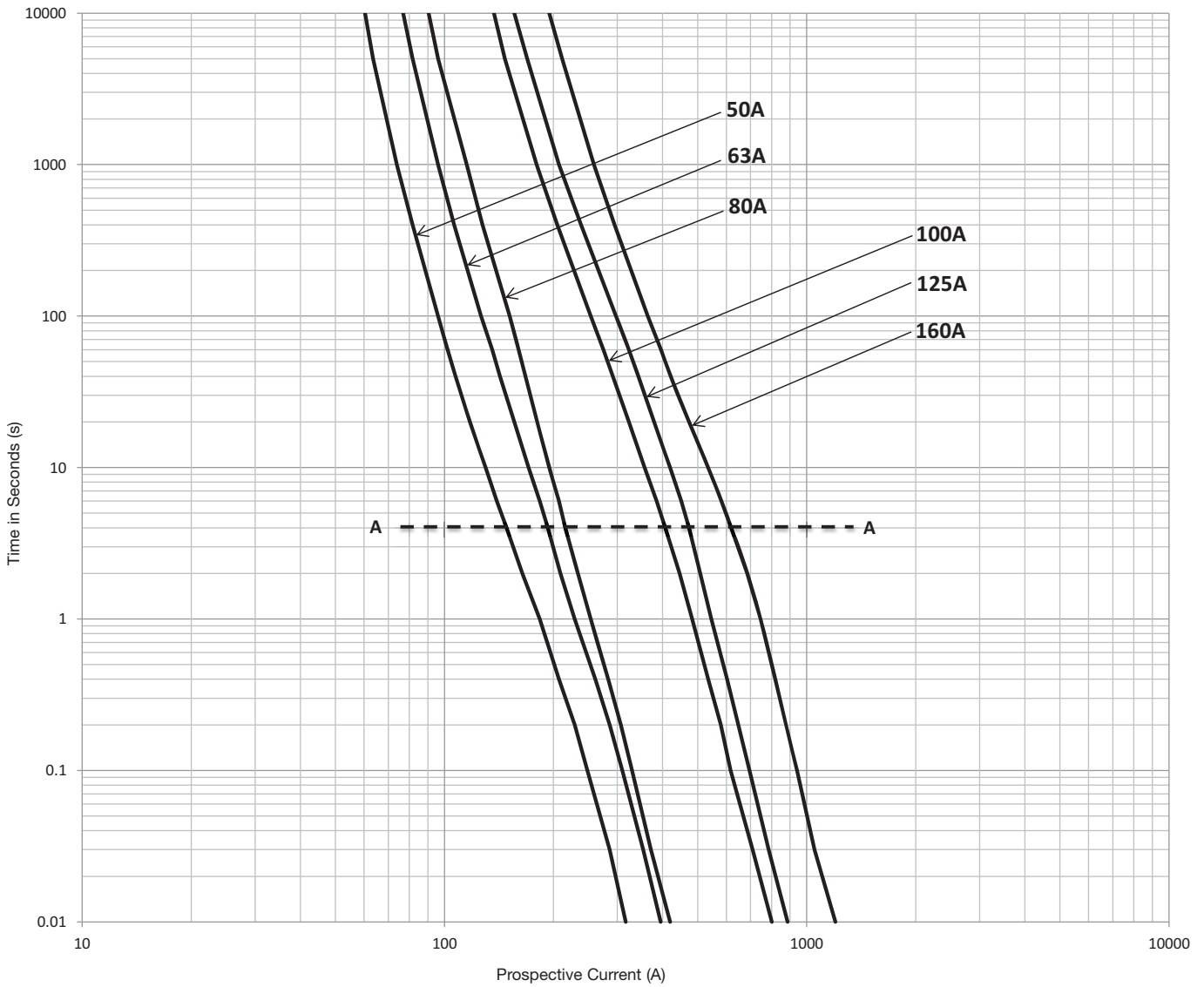
## Technical Data

Part Number	Fuse Link Type	Fuse Link Size	Current Rating (Amps)	Energy Integrals I <sup>2</sup> t (A <sup>2</sup> s)		Watts Loss (W)	
				Pre-Arcing	Total at 750Vdc	0.8 I <sub>n</sub>	I <sub>n</sub>
170M2000	Flush End	1*	50	390	1300	15	27
170M2001			63	610	2050	18	35
170M2002			80	670	2250	19	37
170M2003			100	2450	8150	21	40
170M2004			125	2950	9800	24	47
170M2005			160	5500	18,250	29	56
170M2010	Flush End	3	450	65,700	272,300	46	87
170M2011			500	83,200	344,800	52	98
170M2012			550	136,700	566,500	67	126
170M2013			630	173,500	719,000	75	142
170M2014			700	268,000	1,110,500	78	156
170M2015			750	307,600	1,275,000	83	167
170M2016			800	349,900	1,450,000	89	178
170M2017	Parallel	23	1000	476,300	1,973,700	112	187
170M2018			1250	694,000	2,875,800	134	224
170M2019			1400	1,071,600	4,440,500	152	254
170M2020			1500	1,230,200	5,097,700	165	275
170M2021			1600	1,399,700	5,800,100	180	300

Size 1\* = Size 1 Compact Size

Size 1\*, 3 and 23 Square Body High Speed Traction Fuse Links for Third Rail Applications  
50A to 1600A, 750Vdc

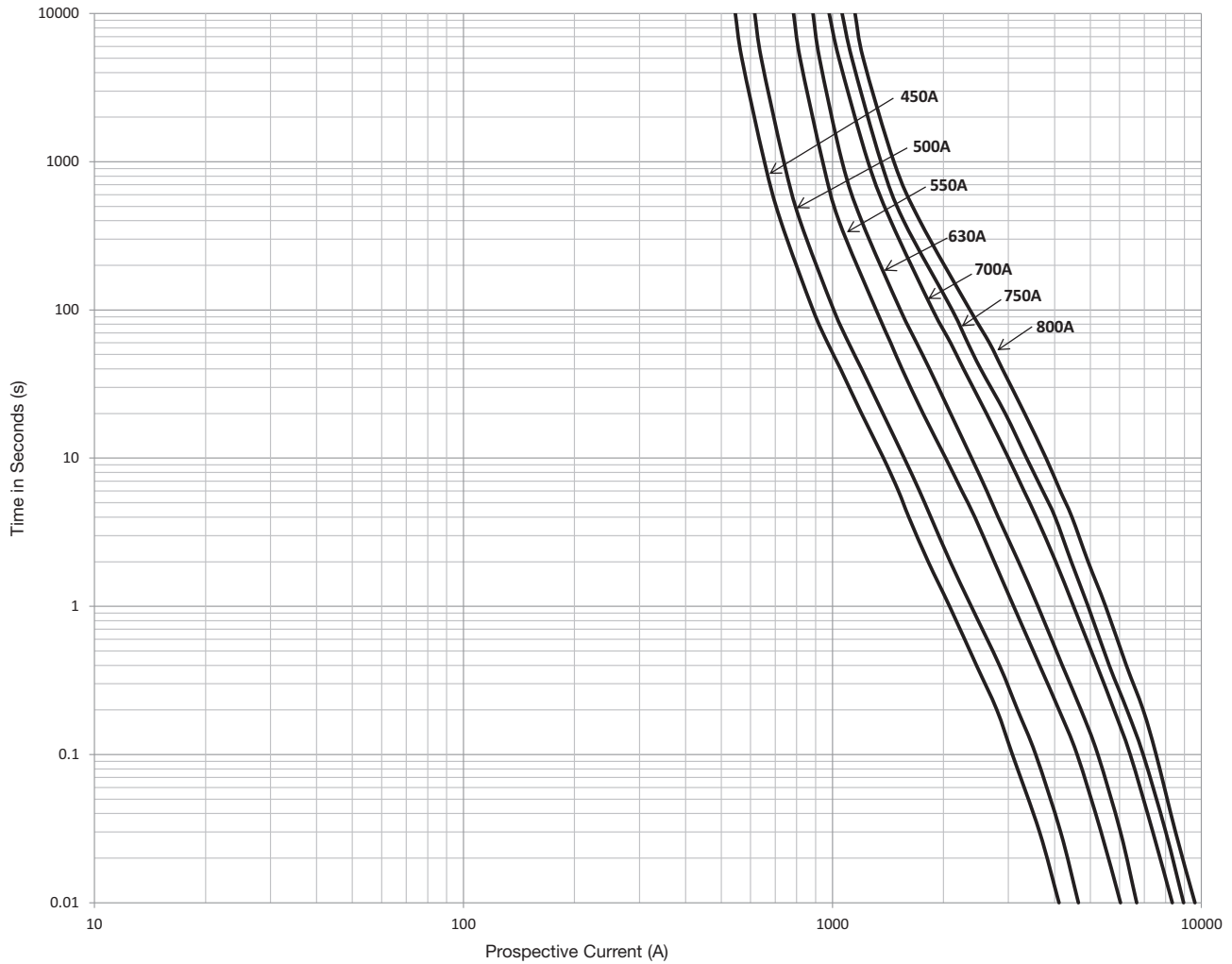
Time-Current Characteristics  
170M2000 to 170M2005 - 50 to 160A - Flush End - Size 1\*



Size 1\* = Size 1 Compact Size

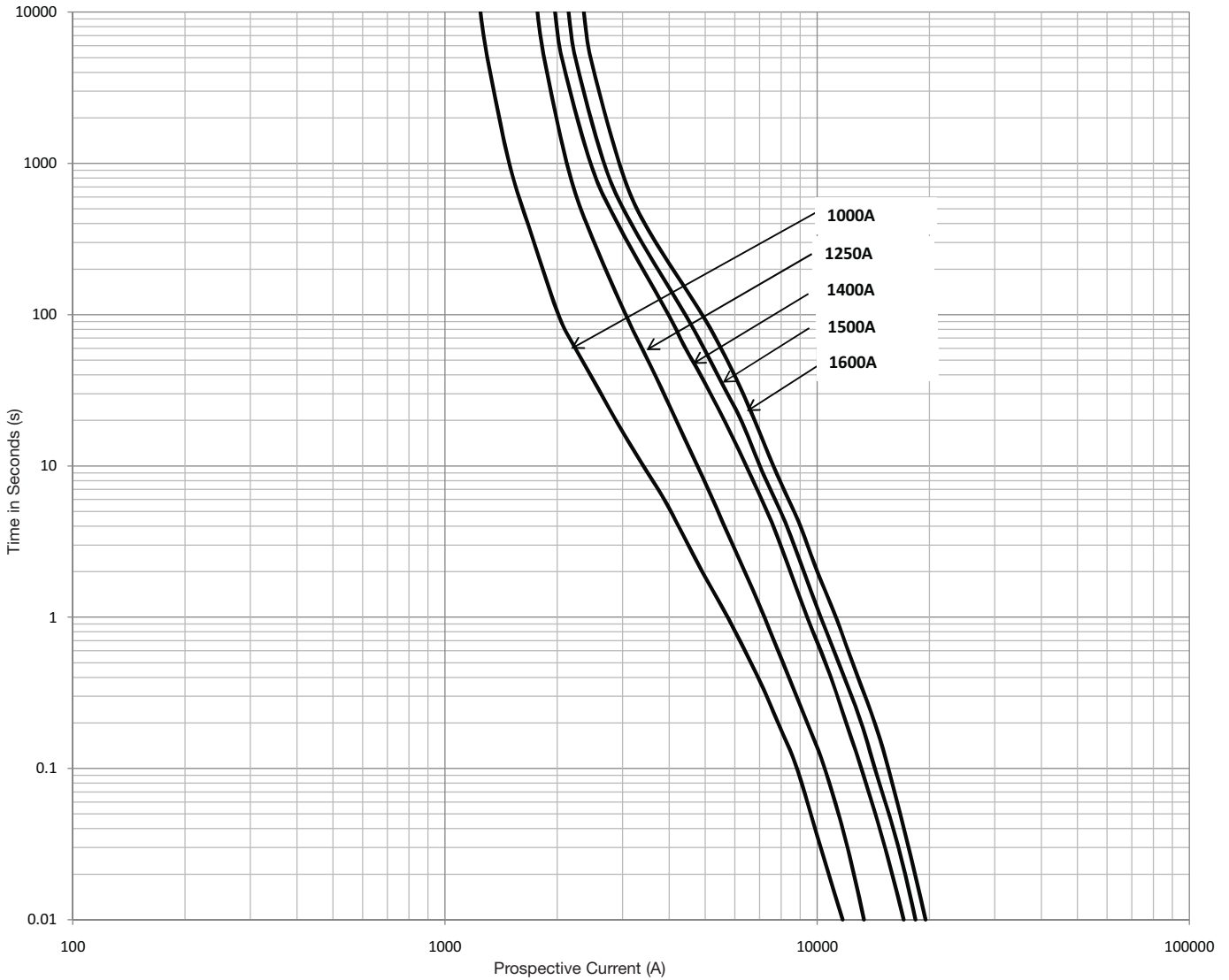
Size 1\*, 3 and 23 Square Body High Speed Traction Fuse Links for Third Rail Applications  
50A to 1600A, 750Vdc

Time-Current Characteristics  
170M2010 to 170M2016 - 450 to 800A - Flush End - Size 3



Size 1\*, 3 and 23 Square Body High Speed Traction Fuse Links for Third Rail Applications  
50A to 1600A, 750Vdc

Time-Current Characteristics  
170M2017 to 170M2021 - 1000 to 1600A - Parallel - Size 23



The only controlled copy of this Data Sheet is the electronic read-only version located on the Cooper Bussmann Network Drive. All other copies of this document are by definition uncontrolled. This bulletin is intended to clearly present comprehensive product data and provide technical information that will help the end user with design applications. Cooper Bussmann reserves the right, without notice, to change design or construction of any products and to discontinue or limit distribution of any products. Cooper Bussmann also reserves the right to change or update, without notice, any technical information contained in this bulletin. Once a product has been selected, it should be tested by the user in all possible applications.