

Leadership in fusible circuit protection



EATON

Powering Business Worldwide



Energizing a world that demands more.

We deliver:

- **Electrical solutions** that use less energy, improve power reliability and make the places we live and work safer and more comfortable
- **Hydraulic and electrical solutions** that enable machines to deliver more productivity without wasting power
- **Aerospace solutions** that make aircraft lighter, safer and less costly to operate, and help airports operate more efficiently
- **Vehicle drivetrain and powertrain solutions** that deliver more power to cars, trucks and buses, while reducing fuel consumption and emissions

Discover today's Eaton.

Powering business worldwide

As a global power management company, we help customers worldwide manage the power needed for buildings, aircraft, trucks, cars, machinery and businesses.

Eaton's innovative technologies help customers manage electrical, hydraulic and mechanical power more reliably, efficiently, safely and sustainably.

We provide integrated solutions that help make energy, in all its forms, more practical and accessible.

With 2013 sales of \$22 billion, Eaton has approximately 100,000 employees around the world and sells products in more than 175 countries.

Eaton.com

EATON

Powering Business Worldwide

Eaton's Bussmann business is the leading source of fusible circuit protection solutions in the global marketplace. Eaton's Bussmann series products are approved for use around the world and meet agency requirements and international standards: IEC, VDE, DIN, UL, CSA, BS and others.

Eaton's Bussmann business European headquarters are in Burton-on-the-Wolds, Leicestershire (UK).

Eaton's Bussmann business manufactures over 50,000 part numbers covering extensive fusible circuit protection solutions for a wide range of applications: residential, industrial, motor protection, power conversion and distribution.

Eaton's Bussmann business has been a leading exponent in the design, development and manufacture of high speed fuse links and their associated accessories for more than 100 years and has supplied fuse links to more than 90 countries worldwide.

Eaton's Bussmann business team of specialist Engineers and Field Applications Engineers plays a leading role in international standardisation of high speed fuse links offering comprehensive advice on selection and applications.

With a continual commitment to meet our customers' needs with innovative high quality products with ISO 902 'approval systems', Eaton's Bussmann business is the supplier of choice for high speed circuit protection solutions.

Table of contents

Section				Page
North American fuse links				6-15
	130 V a.c./V d.c.	1000 to 4000 A	FWA	6
	150 V a.c./V d.c.	70 to 1000 A	FWA	7-8
	250 V a.c./V d.c.	35 to 2500 A	FWX	9
	500 V a.c./V d.c.	35 to 1600 A	FWH	10
	600 V a.c.	1 to 1000 A	KAC	11
	600 V a.c.	35 to 800 A	KBC	12
	700 V a.c./V d.c.	5 to 1200 A	FWP	13-14
	1000 V a.c./ 800 V d.c.	35 to 2000 A	FWJ	15
British Standard BS88 fuse links				16-22
	240-250-280 V a.c./ 150 V d.c.	6 to 180 A	LCT, LET	16-17
	240-250 V a.c./ 150 V d.c.	160 to 900 A	LMT, LMMT	18
	690-700 V a.c./ 500 V d.c.	6 to 200 A	CT, ET, FE, EET and FEE	19-20
	690-700 V a.c./ 350-450-500 V d.c.	160 to 710 A	FM, FMM, MT and MMT	21-22
Ferrule fuse links				23-33
	150 V a.c./V d.c.	5 to 60 A	FWA	23
	250 V a.c./V d.c.	1 to 50 A	FWX	24
	500 V a.c.	0.25 to 30 A	FWH-A6F	25
	500 V a.c./V d.c.	1 to 30 A	FWH-14F	26
	600-700 V a.c./ 700 V d.c.	1 to 32 A	FWC	27
	690-700 V a.c./ 600-700 V d.c.	1 to 50 A	FWP-A14F	28
	700 V a.c./V d.c.	20 to 100 A	FWP-A22F	29
	750 V d.c.	5 to 60 A	FWK-A25F	30
	1000 V a.c./ 800 V d.c.	20 to 30 A	FWJ	31
	1200 V a.c./ 1000 V d.c.	20 to 30 A	FWL	32
	1400-2000 V a.c./ 1000 V d.c.	2 to 15 A	FWS	33
Square body fuse links				34-79
DIN 43653				
	690-700 V a.c./V d.c.	10 to 400 A	170M - size 000 and 00	34-35
	690-700 V a.c.	40 to 2000 A	170M - size 1* to 3	36-37
	1000 V a.c.	20 to 315 A	170M - size 00	38
	1000 V a.c.	50 to 1400 A	170M - size 1* to 3	39-40
	1250-1300 V a.c.	50 to 1400 A	170M - size 1* to 3	41-42
DIN 43620				
	690 V a.c.	10 to 800 A	170M - size 00 to 3	43-44
	690-700 V a.c.	10 to 1600 A	170M - dual indicator	45-46
	1000 V a.c.	20 to 225A	170M - size 00	47
French style				
	690-700 V a.c.	40 to 1600 A	170M - size 1* to 3	48-49
US style				
	690-700 V a.c.	40 to 2000 A	170M - size 1* to 3	50-51
	1000 V a.c.	50 to 1400 A	170M - size 1* to 3	52-53
	1250-1300 V a.c.	50 to 1400 A	170M - size 1* to 3	54-55
Flush end contact				
	690 V a.c.	25 to 400 A	170M - size 00	56
	690-700 V a.c.	40 to 2000 A	170M - size 1* to 3	57-58
	1000 V a.c.	50 to 1400 A	170M - size 1* to 3	59-60
	1250-1300 V a.c.	50 to 1400 A	170M - size 1* to 3	61-62
	690-700 V a.c.	1000 to 4000 A	170M - size 4	63-64
	1000 V a.c.	1000 to 3000 A	170M - size 4	65-66
	1250 V a.c.	800 to 2500 A	170M - size 4	67-68
	660 V a.c.	1000 to 4000 A	170M - size 23	69-70
	1250 V a.c.	630 to 2800 A	170M - size 23	71
	690 V a.c.	2000 to 7500 A	170M - size 24	72
	1000 V a.c.	2000 to 5000 A	170M - size 24	73
	1100-2000 V a.c.	1800 to 5500 A	170M - size 5	74

Section				Page
Square body				34-79
Drive fuse links	600 V a.c./ 450 V d.c.	1 to 600 A	DFJ	75
IGBT fuse links	750-800 V d.c.	25 to 630 A	170M - size 000 and 230	76-77
	1000 V d.c.	25 to 500 A	170M - size 000 and 230	78-79
Traction fuse links				80-105
Square body				
	750 V d.c.	50 to 1600 A	170M - size 1*, 3 and 23	80-82
	750 V d.c.	63 to 500 A	170E - size 1*, 1, 2 and 3	83-84
	850 V d.c./ 1250 V a.c.	1400 A	170M7217 - size 4	85
	1200 V d.c.	20 to 215 A	170M - size 1*	86
	1200 V d.c.	160 to 420 A	170F - size 2	87
	2000 V d.c.	10 to 80 A	170E - size 1*	88
	2000 V d.c.	10 to 125 A	170E - size 1*	89
	2000 V d.c.	20 to 600 A	170M	90-92
	2400 V d.c.	100 to 400 A	170M - size 3	93
	4000 V d.c.	20 to 125 A	170E - size 1*	94
	4000 V d.c.	20 to 450 A	170E - size 1*, 2 and 2//2	95-97
Ferrule				
	750 V d.c.	5 to 60 A	FWK	98
	750 V d.c.	30 to 50 A	LRC750	99
	1000 V d.c./ 1200-1400-2000 V a.c.	2 to 30 A	FWS and FWL	100
Round body				
	750 V d.c.	5 to 60 A	KC36	101
	750 V d.c.	200 to 400 A	RC	102
	900 V d.c.	160 to 1000 A	SF	103-104
	1500 V d.c.	25 to 200 A	NBC	105
Photovoltaic fuse links				106-124
	600 V d.c.	4 to 30 A	PVM	106
	1000 V d.c.	1 to 20 A	PV 10 x 38 mm	107-108
	1000-1100 V d.c.	15 to 32 A	PV 14 x 51 mm	109
	1300-1500 V d.c.	15 to 32 A	PV 14 x 65 mm	110
	1000 V d.c.	32 to 400 A	PV NH	111-116
	1000 V d.c.	160 to 400 A	PV Flush end	117-118
	1000-1500 V d.c.	50 to 600 A	PV XL	119-124
Accessories				125-146
Fuse bases				
	Modular style	C5268, 1BS and BH		125
	Fixed center	170H		126-128
	NH bases	SD-D-PV		129-130
	PV XL bases	SB-XL		131
	Ferrule	BMM and CVRI		132-133
	Ferrule	JM70100		134
Modular knifeblade fuse blocks				
		JM60		135-137
Modular fuse holders				
	10 x 38 mm	CHM, CHPV, CHCC		138-139
	14 x 51 mm	CH14 ,CHPV14		140-141
	22 x 58 mm	CH22		142-143
Microswitches				
	Square body	170H0235 to 170H0237 and 170H0069		144-145
	BS88-4	EC, MC and TI		146
Index				147-148

North American fuse links

FWA

130 V a.c./V d.c.(UL), 1000 to 4000 A

Specifications

Description

North American style flush end high speed fuse links for the protection of DC common bus, DC drives, power converters/rectifiers and reduced rated voltage starters.

Technical data

Rated voltage: 130 V a.c./V d.c. (UL).

Rated current: 1000-4000 A.

Breaking capacity:

- 200 kA RMS Sym at 130 V a.c.
- 50 kA at 130 V d.c..

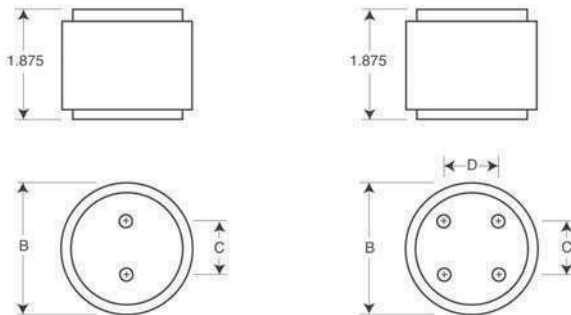
Standards / Agency information

CE, UL Recognised JFHR2.E91958 on 1000 - 2000 A fuse links.



Rated voltage	Rated current (Amps)	I ² t (A ² Sec)		Watts loss (W)	Catalogue numbers
		Pre-arcing	Clearing at 130 V a.c.		
130 V a.c./V d.c. (UL)	1000	170,000	460,000	60	FWA-1000AH
	1200	270,000	730,000	70	FWA-1200AH
	1500	520,000	1,400,000	78	FWA-1500AH
	2000	860,000	2,400,000	108	FWA-2000AH
	2500	1,500,000	4,100,000	130	FWA-2500AH
	3000	2,100,000	5,700,000	150	FWA-3000AH
	4000	3,400,000	9,200,000	257	FWA-4000AH

Dimensions — in



1000-3000 A

4000 A

Rated current (Amps)	B	C	D	Thread depth
1000 to 2000	2	1	-	Tapped 3/8"-24 x 1/2" UNF
2500 to 3000	3	1.5	-	Tapped 1/2"-20 x 1/2" UNF
4000	3.5	1.5	1.5	Tapped 1/2"-20 x 1/2" UNF

1" = 25.4mm

Data sheets: 720001, 5785301

FWA

150 V a.c./V d.c. (UL), 70 to 1000 A

Specifications

Description

North American style bolted tag high speed fuse links used for the protection of DC common bus, DC drives, power converters / rectifiers and reduced rated voltage starters.

Technical Data

Rated voltage:

- 150 V a.c./V d.c. (UL)
- 80 V d.c. 1000 A only

Rated current: 70-1000 A.

Breaking capacity:

- 100 kA RMS Sym. (70-400 A).
- 200 kA RMS Sym. (450-1000 A).
- 20 kA at 150 V a.c./V d.c. (70-800 A)
- 100 kA at 80 V d.c. (70-1000 A)

Standards / Agency information

CE, UL Recognised JFHR2.E91958.

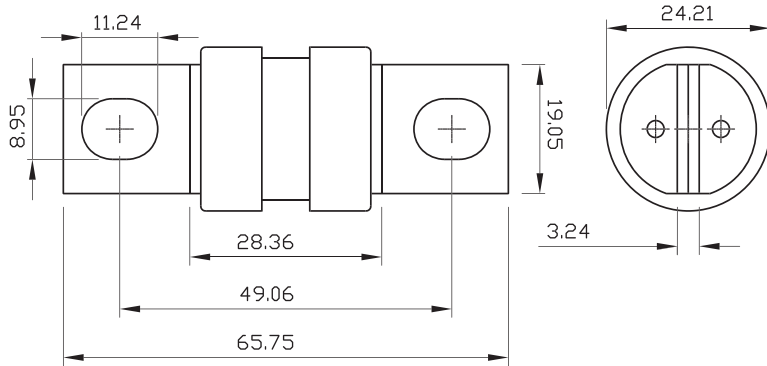


Rated voltage	Rated current (Amps)	I ² t (A ² Sec)		Watts loss (W)	Catalogue numbers
		Pre-arcing	Clearing at 150 V a.c.		
150 V a.c./V d.c. (UL)	70	470	4000	6.9	FWA-70B
	80	670	6000	7.7	FWA-80B
	100	1200	12,000	9	FWA-100B
	125	1870	18,000	11.2	FWA-125B
	150	2700	26,000	13.5	FWA-150B
	200	4780	45,000	17.6	FWA-200B
	250	7470	70,000	22.5	FWA-250B
	300	10,760	100,000	27	FWA-300B
	350	15,700	140,000	30.6	FWA-350B
	400	20,300	180,000	35.2	FWA-400B
	500	39,000	120,000	35	FWA-500A
	600	46,000	140,000	47	FWA-600A
	700	75,000	220,000	49	FWA-700A
	800	92,000	280,000	58	FWA-800A
80 V d.c.	1000	170,000	510,000	60	FWA-1000A

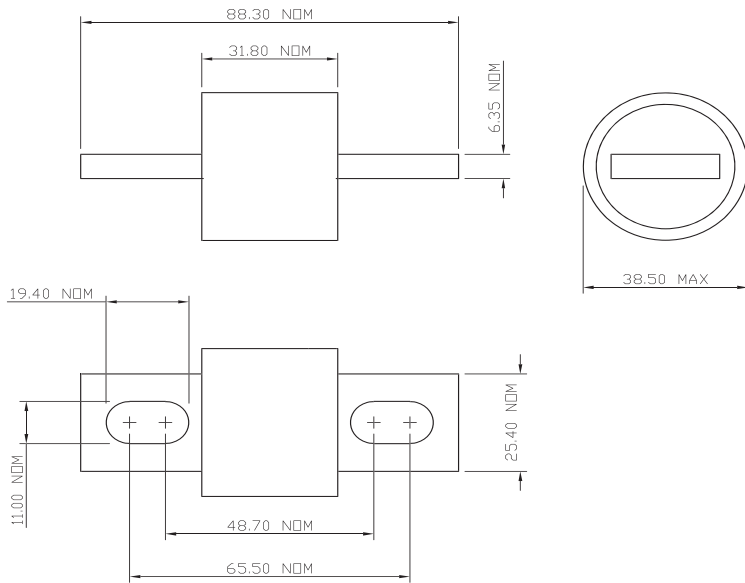
FWA

150 V a.c./V d.c. (UL), 70 to 1000 A

Dimensions - mm



70-400 A



500-1000 A

Data sheets: 720002, 5785310

FWX

250 V a.c./V d.c. (UL), 35 to 2500 A

Specifications

Description

North American style bolted tags and flush end high speed fuse links for the protection of DC common bus, DC drives, power converters/rectifiers and reduced rated voltage starters.

Technical Data

Rated voltage: 250 V a.c./V d.c. (UL).

Rated current: 35-2500 A.

Breaking capacity:

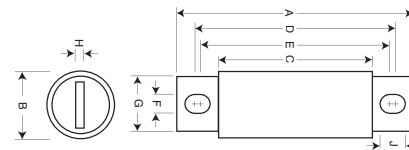
- 200 kA RMS Sym.
- 20 kA at 250 V d.c. (35-800 A).

Standards / Agency information

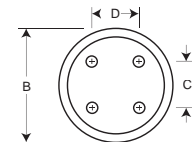
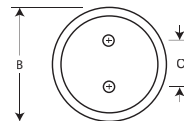
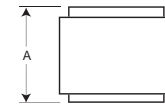
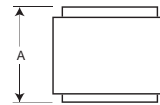
CE, UL Recognised file JFHR2.E56412 and CSA component acceptance on 35-800 A fuse links (20 kA IR at 250 V d.c.).



Dimensions - in



35-800 A



1000-1200 A

1500-2500 A

Rated voltage	Rated current (Amps)	I^2t (A ² Sec)		Watts loss (W)	Catalogue numbers
		Pre-arcing	Clearing at 250 V a.c.		
35	50	50	230	4.2	FWX-35A
40	60	60	310	5.2	FWX-40A
45	80	80	390	5.7	FWX-45A
50	100	100	520	6	FWX-50A
60	140	140	740	8.1	FWX-60A
70	330	330	1400	7.2	FWX-70A
80	430	430	1850	8.1	FWX-80A
90	570	570	2450	9	FWX-90A
100	740	740	3150	10	FWX-100A
125	1130	1130	4850	12.5	FWX-125A
150	1620	1620	6950	15.7	FWX-150A
175	2170	2170	9300	18.5	FWX-175A
200	2790	2790	12,000	22	FWX-200A
225	3210	3210	14,700	24	FWX-225A
250 V a.c./V d.c. (UL)	250	3960	18,100	27	FWX-250A
	275	4720	21,600	31	FWX-275A
	300	6000	27,300	32	FWX-300A
	350	10,600	48,600	39	FWX-350A
	400	14,500	66,100	44	FWX-400A
	450	22,100	101,000	49	FWX-450A
	500	28,000	128,000	54	FWX-500A
	600	41,100	188,000	62	FWX-600A
	700	48,800	190,000	72	FWX-700A
	800	59,000	230,000	84	FWX-800A
	1000	44,000	360,000	100	FWX-1000AH
	1200	92,000	750,000	103	FWX-1200AH
	1500	120,000	880,000	140	FWX-1500AH
	1600	160,000	1,200,000	140	FWX-1600AH
	2000	320,000	2,300,000	151	FWX-2000AH
	2500	670,000	4,700,000	163	FWX-2500AH

Amp range	A	B	C	D	E	F	G	H	J	Tapped thread depth
35-60	3.19	0.81	1.59	2.59	2.25	0.34	0.63	0.13	0.52	-
70-200	3.13	1.22	1.59	2.44	2.19	0.34	1	0.19	0.47	-
225-600	3.84	1.5	1.59	2.94	2.25	0.41	1	0.25	0.75	-
700-800	3.84	2	1.59	3.03	2.28	0.41	1.5	0.25	0.78	-
1000-1200	2.59	3	1.5	-	-	-	-	-	-	3/8"-24 x
1500-2500	2.59	3.5	1.5	1.5	-	-	-	-	-	1/2" UNF

1" = 25.4mm

FWH

500 V a.c./V d.c.¹ (UL), 35 to 1600 A

Specifications

Description

North American style bolted tags high speed fuse links, for the protection of DC common bus, power converters/rectifiers and reduced rated voltage starters.

Technical data

Rated voltage:

- 500 V a.c. (UL).
- 500 V d.c. (35-800 A only)

Rated current: 35-1600 A.

Breaking capacity:

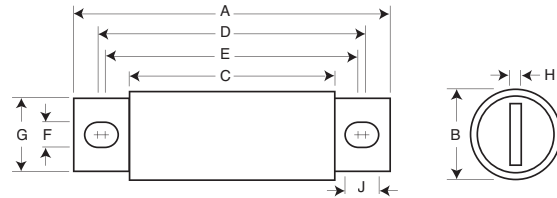
- 200 kA RMS Sym.
- 50 kA at 500 V d.c..

Standards / Agency information

CE, UL Recognition JFHR2.E91958 FWH_B (35-200 A) and FWH_A (1000 and 1200 A), JFHR2.E56412 FWH_A (225-800 A), CSA Component Acceptance Class 1422-30, File 53787 (35-1600 A)

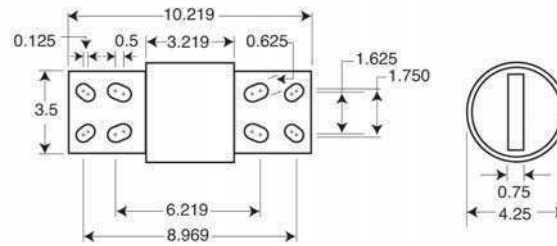


Dimensions - in



Rated voltage	Rated current (Amps)	I ² t (A ² Sec)		Watts loss (W)	Catalogue numbers	
		Pre-arcing	Clearing at 250 V a.c.			
500 V a.c./ V d.c. (UL)	35	34	150	8	FWH-35B	
	40	76	320	7.5	FWH-40B	
	45	105	450	7.5	FWH-45B	
	50	135	670	7.5	FWH-50B	
	60	210	900	9.9	FWH-60B	
	70	210	900	10.6	FWH-70B	
	80	305	1400	12.7	FWH-80B	
	90	360	1600	15	FWH-90B	
	100	475	2000	17	FWH-100B	
	125	800	3500	25	FWH-125B	
500 V a.c./ V d.c. (UL)	150	1100	4600	30	FWH-150B	
	175	1450	6200	35	FWH-175B	
	200	1900	8500	40	FWH-200B	
	225	4600	23,300	39	FWH-225A	
	250	6300	32,200	41	FWH-250A	
	275	7900	40,300	46	FWH-275A	
	300	9800	49,800	51	FWH-300A	
	325	13,700	63,800	53	FWH-325A	
	350	14,500	72,900	58	FWH-350A	
	400	19,200	96,700	65	FWH-400A	
500 V a.c./ V d.c. (UL)	450	24,700	127,000	74	FWH-450A	
	500	29,200	149,000	84	FWH-500A	
	600	41,300	206,000	108	FWH-600A	
	700	55,000	298,000	120	FWH-700A	
	800	76,200	409,000	129	FWH-800A	
	1000	92,000	450,000	145	FWH-1000A	
	500 V a.c./ (UL)	1200	122,000	600,000	180	FWH-1200A
		1400	200,000	1,000,000	210	FWH-1400A
		1600	290,000	1,400,000	230	FWH-1600A

35-1200 A



1400-1600 A - in

Amp range	A	B	C	D	E	F	G	H	J
35-60	3.19	0.81	1.59	2.54	2.19	0.34	0.72	0.13	0.52
70-100	3.62	0.95	1.74	2.85	2.81	0.35	0.75	0.13	0.38
125-200	3.62	1.16	1.84	2.89	2.77	0.34	1	0.19	0.41
225-400	4.34	1.5	2.09	3.44	2.75	0.41	1	0.25	0.75
450-600	14.34	2	2.09	3.53	2.78	0.41	1.5	0.25	0.78
700-800	6.34	2.5	2.09	4.97	3.44	0.53	2	0.38	1.30
1000-1200	6.97	3	3.22	5.47	4.48	0.62	2.38	0.44	1.12
1400-1600	refer to drawing								

1" = 25.4mm

¹ 500 V d.c. for 35-800 A only.

Data sheets: 720007, 360 (225-800 A), 5785304 (35-200 A, 1000-1600 A)

KAC

600 V a.c. (UL), 1 to 1000 A

Specifications

Description

North American style bolted tags high speed fuse links. These fuse links are supplied as replacements only. For new installations, Bussmann recommends the 700 V FWP see pages 13-14.

Technical Data

Rated voltage: 600 V a.c. (UL).
 Rated current: 1-1000 A.
 Breaking capacity: 200 kA RMS Sym.

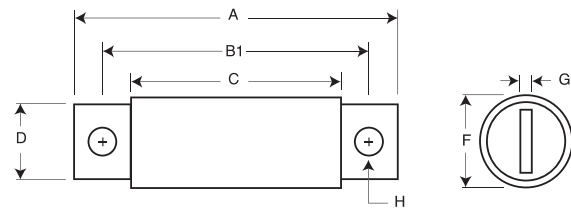
Standards / Agency information

CE, UL file JFHR2.E56413 (1-600 A only).

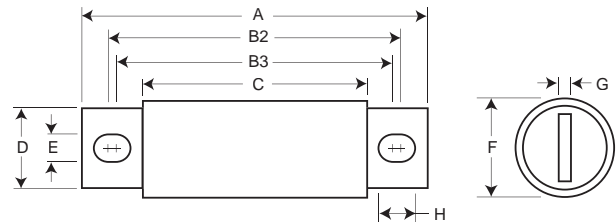


Rated voltage	Rated current (Amps)	Catalogue numbers
	1	KAC-1
	2	KAC-2
	3	KAC-3
	4	KAC-4
	5	KAC-5
	6	KAC-6
	7	KAC-7
	8	KAC-8
	9	KAC-9
	10	KAC-10
	12	KAC-12
	15	KAC-15
	17.5	KAC-17.5
	20	KAC-20
	25	KAC-25
	30	KAC-30
	35	KAC-35
	40	KAC-40
	45	KAC-45
	50	KAC-50
600 V a.c. (UL)	60	KAC-60
	70	KAC-70
	80	KAC-80
	90	KAC-90
	100	KAC-100
	110	KAC-110
	125	KAC-125
	150	KAC-150
	175	KAC-175
	200	KAC-200
	225	KAC-225
	250	KAC-250
	300	KAC-300
	350	KAC-350
	400	KAC-400
	450	KAC-450
	500	KAC-500
	600	KAC-600
	700	KAC-700
	800	KAC-800
	1000	KAC-1000

Dimensions - in



1-30 and 450-1000 A



35-400 A

Rated current (Amps)	A	B1	B2	B3	C	D	E	F	G	H
1-30	2.88	2.5	-	-	1.88	0.41	-	0.56	0.06	0.26
35-60	4.38	-	3.75	3.50	2.75	0.63	0.34	0.81	0.09	0.47
70-100	5	-	4.06	3.66	2.75	0.75	0.41	1	0.13	0.61
110-200	5.14	-	4.39	3.77	2.91	1	0.41	1.5	0.19	0.72
225-400	6.18	-	4.82	4.57	3	1.63	0.56	2	0.25	0.69
450-800	6.25	4.75	-	-	3.06	2	-	2.5	0.25	0.56
1000	7.25	4.75	-	-	3.06	2.75	-	3.5	0.38	0.56

1" = 25.4mm

KBC

600 V a.c. (UL), 35 to 800 A

Specifications

Description

North American style bolted tags and flush-end high speed fuse links. These fuse links are supplied as replacements only. For new installations, Eaton's Bussmann business recommends the 700 V FWP fuse links, see pages 13-14.

Technical data

Rated voltage: 600 V a.c. (UL).
 Rated current: 35-800 A.
 Breaking capacity: 200 kA RMS Sym.

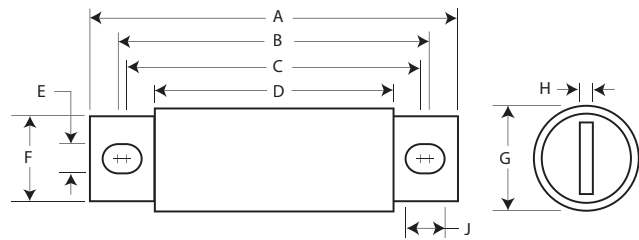
Standards / Agency information

CE, UL file JFHR2.E56412 (35-600 A only)

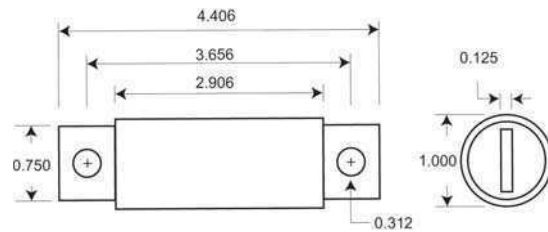


Rated voltage	Rated current (Amps)	Catalogue numbers
600 V a.c. (UL)	35	KBC-35
	40	KBC-40
	45	KBC-45
	50	KBC-50
	60	KBC-60
	70	KBC-70
	80	KBC-80
	90	KBC-90
	100	KBC-100
	110	KBC-110
	125	KBC-125
	150	KBC-150
	175	KBC-175
	200	KBC-200
	225	KBC-225
	250	KBC-250
	300	KBC-300
350	KBC-350	
400	KBC-400	
450	KBC-450	
500	KBC-500	
600	KBC-600	
800	KBC-800	

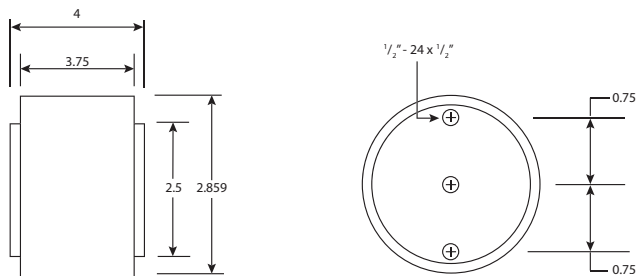
Dimensions - in



35-60 & 110-600 A



70-100 A



800 A

Rated current (Amps)	A	B	C	D	E	F	G	H	J
35-60	4.38	3.75	3.50	2.75	0.34	0.63	0.81	0.09	0.47
70-100	Refer to drawing								
110-200	4.41	3.72	3.59	2.91	0.31	0.88	1.22	0.19	0.38
225-400	5.13	4.19	3.56	2.91	0.41	1	1.5	0.25	0.72
450-600	5.13	4.39	3.69	2.88	0.41	1.5	2	0.25	0.76
800	Refer to drawing								

1" = 25.4mm

FWP

700 V a.c./V d.c.(UL), 5 to 1200 A

Specifications

Description

North American style bolted tags high speed fuse links for the protection of DC common bus, DC drives, power converters/rectifiers, reduced rated voltage starters.

Technical data

Rated voltage: 700 V a.c./V d.c. (UL).

Rated current: 5-1200 A.

Breaking capacity:

- 200 kA RMS Sym.
- 50 kA at 700 V d.c. (type A)
- 50 kA at 500 V d.c. (type B)

Standards / Agency information

CE, UL Recognition JFHR2.E91958 FWP-_B (5-100 A, 700 -1200 A), JFHR2.E56412 FWP-_A (125-600 A) and CSA Component Acceptance file class 1422-30, (53787) on 5-800 A



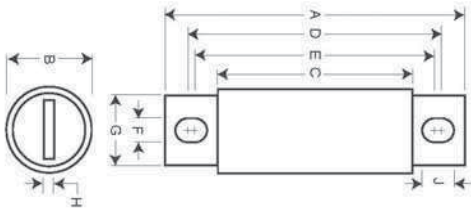
Rated voltage	Rated current (Amps)	I ² t (A ² Sec)		Watts loss (W)	Catalogue numbers
		Pre-arcing	Clearing at 700 V a.c.		
700 V a.c./V d.c. (UL)	5	1.6	11	1.5	FWP-5B
	10	3.6	22	4	FWP-10B
	15	10	70	5.5	FWP-15B
	20	26	180	6	FWP-20B
	25	44	320	7	FWP-25B
	30	58	450	9	FWP-30B
	35	34	160	12	FWP-35B
	40	76	320	12	FWP-40B
	50	135	600	12	FWP-50B
	60	210	950	15.5	FWP-60B
	70	305	2000	18	FWP-70B
	80	360	2400	21	FWP-80B
	90	415	2700	25	FWP-90B
	100	540	3500	27	FWP-100B
	125	1800	7300	28	FWP-125A
	150	2900	11,700	32	FWP-150A
	175	4200	16,700	35	FWP-175A
	200	5500	22,000	43	FWP-200A
	225	7700	31,300	45	FWP-225A
	250	10,500	42,500	48	FWP-250A
	300	17,600	71,200	58	FWP-300A
	350	23,700	95,600	65	FWP-350A
	400	31,000	125,000	78	FWP-400A
	450	36,400	137,000	94	FWP-450A
500	45,200	170,000	107	FWP-500A	
600	66,700	250,000	122	FWP-600A	
700	54,000	300,000	125	FWP-700A	
800	78,000	450,000	140	FWP-800A	
900	91,500	530,000	150	FWP-900A	
1000	120,000	600,000	170	FWP-1000A	
1200	195,000	1,100,000	190	FWP-1200A	

Data sheets: 720012, 5785316 (5-30 A), 361 (125-600 A), 5785308 (35-100 A, 700-1200 A)

FWP

700 V a.c./V d.c.(UL), 5 to 1200 A

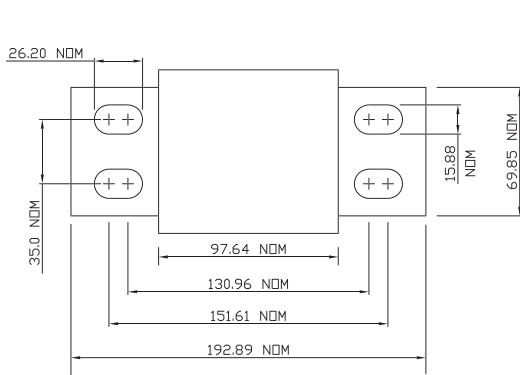
Dimensions



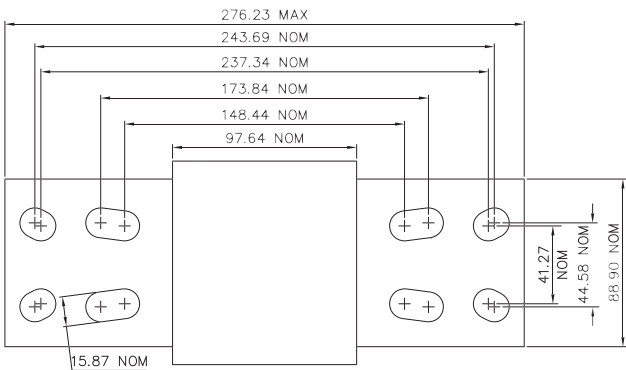
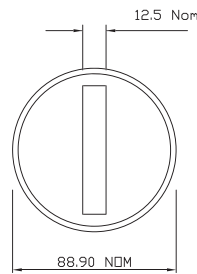
5-800 A - in

Amp range	A	B	C	D	E	F	G	H	J
5-30	2.87	0.56	1.86	2.48	2.48	0.25	0.41	0.06	0.25
35-60	4.38	0.81	2.75	3.71	3.31	0.34	0.73	0.13	0.54
70-100	4.41	0.95	2.59	3.63	3.56	0.34	0.75	0.13	0.38
125-200	5.09	1.5	2.84	4.19	3.5	0.41	1	0.25	0.75
225-400	5.09	2	2.84	4.28	3.53	0.41	1.5	0.25	0.78
450-600	7.09	2.5	2.84	5.72	4.19	0.53	2	0.38	1.3
700-800	6.63	2	2.76	5.56	5.06	0.63	1.5	0.25	0.88
900-1000	Refer to drawing								
1200	Refer to drawing								

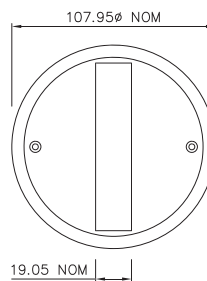
1" = 25.4mm



900-1000 A - mm



1200 A - mm



Data sheets: 720012, 5785316 (5-30 A), 361 (125-600 A), 5785308 (35-100 A, 700-1200 A)

FWJ

1000 V a.c. / 800 V d.c. (UL), 35 to 2000 A

Specifications

Description

North American style bolted tags high speed fuse links for the protection of DC common bus, DC drives power converters/ rectifiers, reduced rated voltage starters.

Technical data

Rated voltage:

- 1000 V a.c. (UL)
- 800 V d.c. (UL)

Rated current: 35-2000 A.

Breaking capacity:

- 25kA RMS Sym. (35-200 A).
- 100 kA RMS Sym. (250-2000 A).
- 50 kA at 800 V d.c. (35-200 A and 450-600 A).

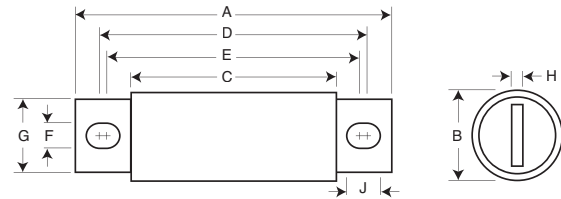
Standards / Agency information

CE, UL Recognition JFHR8.E91958 on 50-600 A only

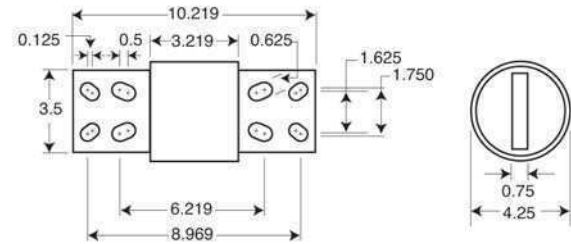
Rated voltage	Rated current (Amps)	I ² t (A ² Sec)		Watts loss (W)	Catalogue numbers
		Pre-arcing	Clearing at 1000 V a.c.		
1000 V a.c. 800 V d.c. (UL)	35	210	2000	7	FWJ-35A
	40	300	2500	8	FWJ-40A
	50	470	3500	10	FWJ-50A
	60	670	5000	11	FWJ-60A
	70	1100	6900	12	FWJ-70A
	80	1550	9700	13	FWJ-80A
	90	1900	12,000	14	FWJ-90A
	100	2800	17,500	15	FWJ-100A
	125	4800	35,000	16	FWJ-125A
	150	6300	45,000	25	FWJ-150A
	175	7500	65,000	30	FWJ-175A
	200	11,700	80,000	32	FWJ-200A
	250	16,000	112,000	50	FWJ-250A
	300	23,500	164,000	56	FWJ-300A
	350	33,000	231,000	62	FWJ-350A
	400	47,000	330,000	67	FWJ-400A
	500	39,500	329,000	95	FWJ-500A
	600	61,000	520,000	105	FWJ-600A
	800	87,000	500,000	182	FWJ-800A
	1000	190,000	1,100,000	206	FWJ-1000A
1200	370,000	2,100,000	240	FWJ-1200A	
1400	470,000	2,700,000	248	FWJ-1400A	
1600	700,000	4,000,000	267	FWJ-1600A	
1800	925,000	5,300,000	239	FWJ-1800A	
2000	1,330,000	7,600,000	244	FWJ-2000A	



Dimensions - in



35-1200 A



1400-2000 A

Amp range	A	B	C	D	E	F	G	H	J
35-60	3.19	0.81	1.59	2.54	2.19	0.34	0.72	0.13	0.52
70-100	3.62	0.95	1.74	2.85	2.81	0.35	0.75	0.13	0.38
125-200	3.62	1.16	1.84	2.89	2.77	0.34	1	0.19	0.41
225-400	4.34	1.5	2.09	3.44	2.75	0.41	1	0.25	0.75
450-600	14.34	2	2.09	3.53	2.78	0.41	1.5	0.25	0.78
700-800	6.34	2.5	2.09	4.97	3.44	0.53	2	0.38	1.30
1000-1200	6.97	3	3.22	5.47	4.48	0.62	2.38	0.44	1.12
1400-1600	refer to drawing								

1" = 25.4mm

Data sheets: 720027, 5785303 (35-600 A), 5785309 (800-2000 A),

British Standard BS88 fuse links

LCT, LET

240 V a.c./150 V d.c. (IEC),

250-280 V a.c./150 V d.c. (UL), 6 to 180 A

Specifications

Description

BS88 style bolted tags fuse high speed links for the protection of DC common bus, DC drives, power converters/rectifiers and reduced rated voltage starters. Low Watts loss in a compact size.

Technical Data

Rated voltage:

- LCT 240 V a.c./150 V d.c. (IEC)
250 V a.c./150 V d.c. (UL).
- LET 280 V a.c./150 V d.c. (UL, 25-160 A).
250 V a.c./150 V d.c. (UL 180 A).

Rated current: 6-180 A.

Breaking capacity:

- 200 kA RMS Sym.
- 50 kA DC at 125V d.c..
- 100 kA at 80 V d.c. (70-1000 A).

Operating Class: aR.

Standards / Agency information

CE, designed and tested to BS88 part 4, IEC 60269 Part 4, UL Recognised and CCC (LCT only). All fuse links have been tested at 318V a.c.. Consult Eaton's Bussmann business for specific UL recognition status.



Fuse link type	Rated voltage	Rated current (Amps)	I ² t (A ² Sec)		Watts loss (W)	Catalogue numbers
			Pre-arcing	Clearing at 240 V a.c.		
LCT	240 V a.c. / 150 V d.c. (IEC) 250 V a.c. / 150 V d.c. (UL)	6	2	9	1	6LCT
		10	3.8	22	2.5	10LCT
		12	7	32	2.5	12LCT
		16	20	100	2.5	16LCT
		20	25	160	4	20LCT
		25	18	250	4	25LET
LET	280 V a.c. / 150 V d.c. (UL)	32	32	450	5	32LET
		35	50	600	5	35LET
		50	100	1400	7	50LET
		63	180	2200	9	63LET
		80	300	3800	10	80LET
		100	600	7500	10	100LET
		125	600	7500	16	125LET
160	1100	16,000	20	160LET		
	250 V a.c. / 150 V d.c. (UL)	180	1600	29,000	21	180LET

Note: 7LET, 10LET, 12LET and 16LET are available for replacement purposes on existing equipment.

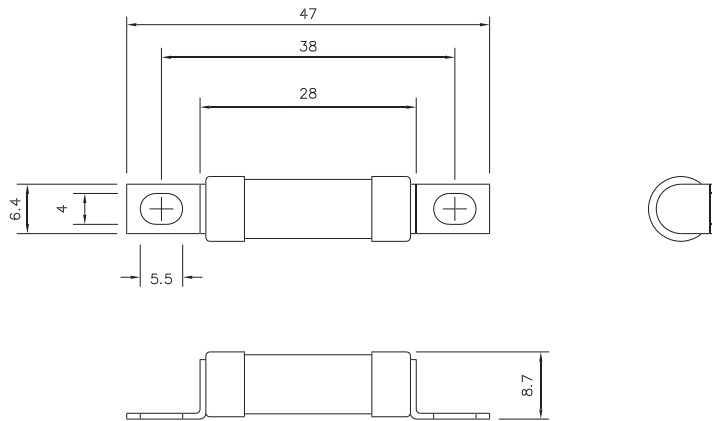
Data sheets: 720004, 5785296 (LCT), 5785293 (LET)

LCT, LET

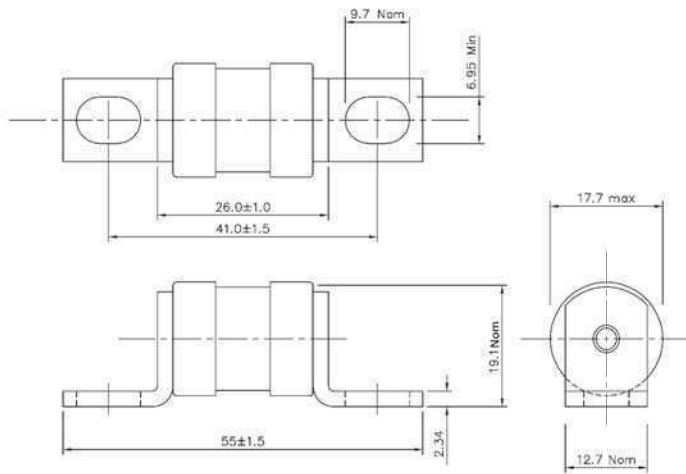
240 V a.c./150 V d.c. (IEC),

250-280 V a.c./150 V d.c. (UL), 6 to 180 A

Dimensions - mm



LCT



LET

Indicator (optional).

LMT, LMMT

240 V a.c./150 V d.c. (IEC), 250 V a.c./150 V d.c. (UL),
160 to 900 A



Specifications

Description

BS88 style bolted tags high speed fuse links for the protection of DC common bus, DC drives, power converters/rectifiers and reduced rate voltage starters. Low watts loss in a compact size.

Technical Data

Rated voltage:

- 240 V a.c./150 V d.c. (IEC)
- 250 V a.c./150 V d.c. (UL).

Rated current:

- 160-900 A.

Breaking capacity:

- 200 kA RMS Sym., 40 kA at 150 V d.c. (IEC).
- 200 kA RMS Sym., 50 kA at 150 V d.c. (UL).

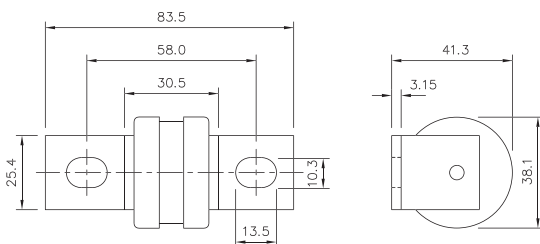
Operating Class: aR.

Standards / Agency information

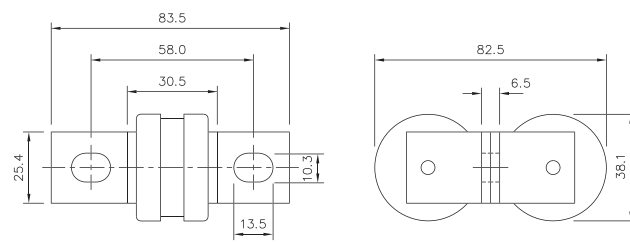
CE, designed and tested to BS88 part 4, IEC 60269 Part 4, UL recognised and CCC. All fuse links have been tested at 318V a.c.. Consult Eaton's Bussmann business for specific UL recognition status.

Fuse link type	Rated voltage	Rated current (Amps)	I ² t (A ² Sec)			Watts loss (W)	Catalogue numbers
			Pre-arcing	Clearing at 120 V a.c.	Clearing at 240 V a.c.		
LMT	240 V a.c. / 150 V d.c. (IEC) 250 V a.c. / 150 V d.c. (UL)	160	1100	7000	16,000	17	160LMT
		200	1500	10,000	20,000	28	200LMT
		250	3200	20,000	40,000	28	250LMT
		315	6000	35,000	75,000	35	315LMT
		355	8000	50,000	100,000	35	355LMT
		400	14,000	70,000	160,000	40	400LMT
LMMT	240 V a.c. / 150 V d.c. (IEC) 250 V a.c. / 150 V d.c. (UL)	400	6000	35,000	80,000	60	400LMMT
		500	14,000	80,000	170,000	64	500LMMT
		630	24,000	150,000	300,000	75	630LMMT
		710	32,000	200,000	460,000	77	710LMMT
		800	52,000	300,000	600,000	82	800LMMT
		900	75,000	400,000	800,000	97	900LMMT

Dimensions - mm



LMT Indicator (optional)



LMMT Indicator (optional)

Data sheets: 720004, 5785294 (LMT), 5785295 (LMMT)

CT, ET, FE, EET, FEE

690 V a.c./500 V d.c. (IEC), 700 V a.c./500 V d.c. (UL),
6 to 200 A

Specifications

Description

BS88 style bolted tags high speed fuse links for the protection of DC common bus, DC drives, power converters / rectifiers and reduced rated voltage starters.

Technical data

Rated voltage:

- 690 V a.c./500 V d.c. (IEC)
- 700 V a.c./500 V d.c. (UL).

Rated current: 6-200 A.

Breaking capacity:

- CT: 90 kA RMS Sym., 40 kA at 500 V d.c. (IEC).
- 200 kA RMS Sym., 50 kA at 500 V d.c. (UL).
- ET, EET, FE and FEE: 200 kA RMS Sym., 50 kA at 500 V d.c..

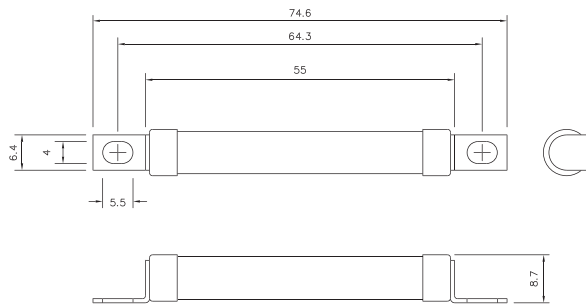
Operating Class: aR.

Standards / Agency information

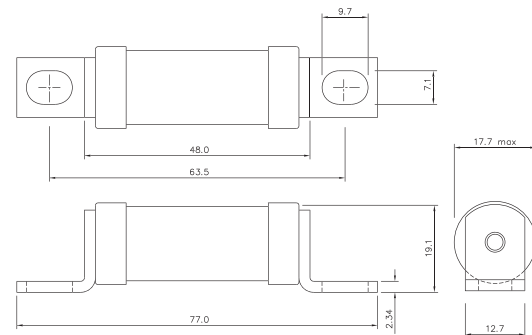
CE, designed and tested to BS88 part 4, IEC 60269 Part 4, Consult Eaton's Bussmann business for specific UL Recognition status. CCC for ET, FE, EET, FEE.



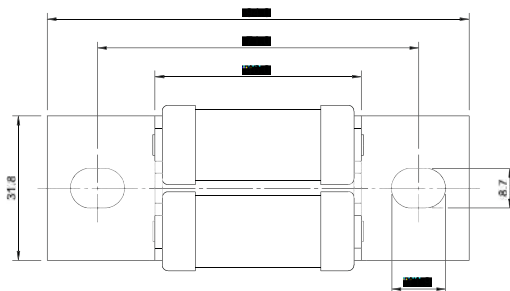
Dimensions - mm



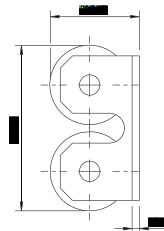
CT



ET, FE



EET, FEE



Data sheets: 5785312 (CT, ET), 5785314 (FE), 5785313 (EET), 5785292 (FEE)

CT, ET, FE, EET, FEE

690 V a.c./500 V d.c. (IEC), 700 V a.c./500 V d.c. (UL),

6 to 200 A

Fuse link type	Rated voltage	Rated current (Amps)	I ² t (A ² Sec)			Watts loss (W)	Catalogue numbers
			Pre-arcing	Clearing at 415V a.c.	Clearing at 660 V a.c.		
CT	690 V a.c. / 500 V d.c. (IEC) 700 V a.c. / 500 V d.c. (UL)	6	1.8	8.5	12	2	6CT
		10	7	30	48	3	10CT
		12	10	40	65	3	12CT
		16	16	66	110	7	16CT
		20	32	150	220	7	20CT
ET	690 V a.c. / 500 V d.c. (IEC) 700 V a.c. / 500 V d.c. (UL)	25	25	150	250	7	25ET
		32	32	190	350	11	32ET
		35	52	310	500	11	35ET
		40	103	600	900	9	40ET
		45	103	680	1100	11	45ET
		56	135	950	1500	14	56ET
		63	171	1200	2000	16	63ET
		80	360	2500	4000	18	80ET
FE	690 V a.c. / 500 V d.c. (IEC) 700 V a.c. / 500 V d.c. (UL)	35	33	130	200	9	35FE
		40	52	180	300	9	40FE
		45	76	270	450	11	45FE
		50	103	380	600	11	50FE
		63	135	480	750	12	63FE
		71	210	600	950	17	71FE
		80	250	900	1500	20	80FE
		90	360	1300	2100	20	90FE
EET	690 V a.c. / 500 V d.c. (IEC) 700 V a.c. / 500 V d.c. (UL)	90	490	300	4500	19	90EET
		110	600	4000	6500	27	110EET
		140	1050	7000	12,000	35	140EET
FEE	690 V a.c. / 500 V d.c. (IEC) 700 V a.c. / 500 V d.c. (UL)	160	1500	10,000	17,000	39	160EET
		100	400	1600	2400	24	100FEE
		120	540	1900	3100	32	120FEE
		140	850	2500	3800	36	140FEE
		160	1000	3700	5700	46	160FEE
		180	1400	5300	8400	46	180FEE
		200	1900	7100	11,400	52	200FEE

Note: FC, 8ET, 12ET, 15ET, 20ET, 65EET and 75EET are available for replacement purposes on existings equipment.

FM, FMM, MT, MMT

690 V a.c./350-450 V d.c. (IEC),
700 V a.c./500 V d.c. (UL), 160 to 710 A

Specifications

Description

BS88 style bolted tags high speed fuse links for the protection of DC common bus, DC drives, power converters / rectifiers and reduced voltage starters.

Technical data

Rated voltage:

- FM: 690 V a.c./450 V d.c. (IEC); 700 V a.c./500 V d.c. (UL).
- FMM: 690 V a.c./450 V d.c. (IEC); 700 V a.c. (UL).
- MT and MMT: 690 V a.c./350 V d.c. (IEC); 700 V a.c. (UL).

Rated current: 160-710 A.

Breaking capacity:

- FM: 200 kA RMS Sym. (IEC/UL), 40 kA at 450 V d.c. (IEC), 50 kA at 500 V d.c. (UL).
- FMM: 200 kA RMS Sym. (IEC/UL), 40 kA at 450 V d.c. (IEC).
- MT & MMT: 200 kA RMS Sym. (IEC/UL), 40 kA at 350 V d.c. (IEC).

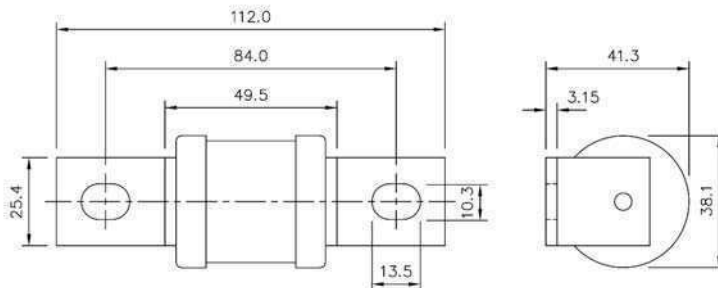
Operating Class: aR.

Standards / Agency information

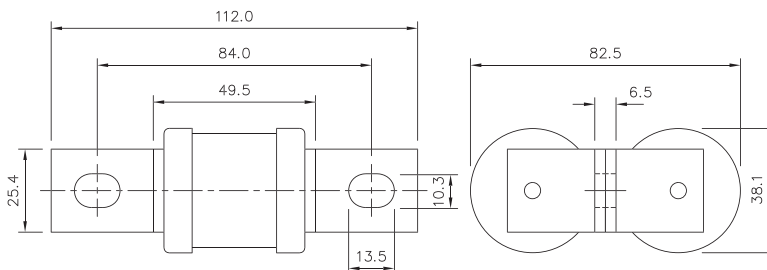
CE, designed and tested to BS88 part 4, IEC 60269 Part 4, UL Recognised. MT and MMT 350 V d.c. (IEC) rating. Consult Eaton's Bussmann business for specific UL Recognition status. CCC for FM and FMM.



Dimensions - mm



FM, MT Indicator (optional)



FMM, MMT Indicator (optional)

Data sheets: 5785314 (FM), 5785313 (MT), 5785292 (FMM), 5785311 (MMT)

FM, FMM, MT, MMT

690 V a.c./350-450 V d.c. (IEC),
700 V a.c./500 V d.c. (UL), 160 to 710 A

Fuse link type	Rated voltage	Rated current (Amps)	I ² t (A ² Sec)			Watts loss (W)	Catalogue numbers
			Pre-arcing	Clearing at 415V a.c.	Clearing at 660 V a.c.		
FM	690 V a.c. / 450 V d.c. (IEC) 700 V a.c. / 500 V d.c. (UL)	180	1400	7500	13,500	40	180FM
		200	2600	10,500	18,500	40	200FM
		225	3700	14,500	26,500	44	225FM
		250	5200	20,500	37,500	48	250FM
		280	7000	30,500	55,000	48	280FM
		315	10,000	40,000	77,000	55	315FM
		350	15,000	60,000	105,000	55	350FM
FMM	690 V a.c. / 450 V d.c. (IEC) 700 V a.c. (UL)	400	10,000	40,000	72,500	85	400FMM
		450	15,000	60,000	105,000	90	450FMM
		500	20,000	82,000	150,000	100	500FMM
		550	30,000	120,000	215,000	100	550FMM
		630	45,000	180,000	310,000	100	630FMM
MT	690 V a.c. / 350 V d.c. (IEC) 700 V a.c. (UL)	700	60,000	245,000	420,000	120	700FMM
		160	2400	15,000	25,000	26	160MT
		180	3800	25,000	38,000	26	180MT
		200	6000	40,000	58,000	27	200MT
		250	11,500	80,000	110,000	32	250MT
		280	16,500	100,000	150,000	35	280MT
		315	19,000	125,000	180,000	42	315MT
MMT	690 V a.c. / 350 V d.c. (IEC) 700 V a.c. (UL)	355	22,000	160,000	200,000	51	355MT
		180	1650	12,000	18,000	42	180MMT
		200	2200	16,000	23,000	42	200MMT
		225	3700	26,000	40,000	42	225MMT
		280	6600	47,000	70,000	47	280MMT
		315	8600	62,000	91,000	51	315MMT
		355	13,500	97,000	140,000	54	355MMT
		400	21,000	150,000	220,000	60	400MMT
		450	30,000	220,000	320,000	57	450MMT
		500	42,000	300,000	450,000	64	500MMT
		560	60,000	430,000	640,000	64	560MMT
		630	68,500	500,000	720,000	86	630MMT
		710	78,000	600,000	850,000	105	710MMT

Data sheets: 5785314 (FM), 5785313 (MT), 5785292 (FMM), 5785311 (MMT)

Ferrule fuse links

10 x 38 mm and 21 x 51 mm, FWA

150 V a.c./V d.c. (UL), 5 to 60 A

Specifications

Description

Ferrule style high speed fuse links for the protection of DC common bus, DC drives, power converters / rectifiers and reduced rated voltage starters.

Technical data

Rated voltage: 150 V a.c. (UL).

Rated current: 5-60 A.

Breaking capacity:

- 200 kA RMS Sym.
- 50 kA DC at 150 V d.c..

Operating class: aR.

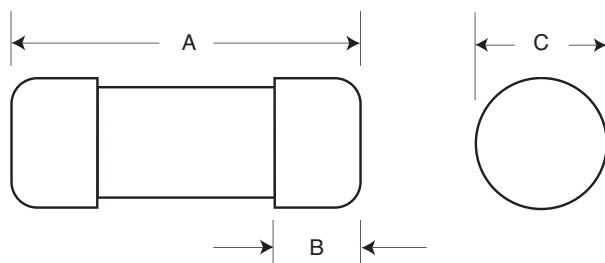
Standards / Agency information

CE, UL recognised.



Fuse link size	Rated voltage	Rated current (Amps)	Pt (A ² Sec)		Watts loss (W)	Catalogue numbers
			Pre-arcing	Clearing at 150 V a.c.		
10 x 38 mm (13/32" x 1½")	150 V a.c. / V d.c. (UL)	5	1.6	8	2	FWA-5A10F
		10	3.6	16	2.7	FWA-10A10F
		15	14	50	3.3	FWA-15A10F
		20	33	130	3.8	FWA-20A10F
		25	58	220	4.9	FWA-25A10F
		30	100	400	4.9	FWA-30A10F
21 x 51 mm (13/16" x 2")	150 V a.c. / V d.c. (UL)	35	75	800	4.5	FWA-35A21F
		40	100	1000	5.1	FWA-40A21F
		45	130	1300	6	FWA-45A21F
		50	170	1600	7.3	FWA-50A21F
		55	210	2000	8	FWA-55A21F
		60	250	2400	8	FWA-60A21F

Dimensions - in (mm)



Amp range	A	B	C
5-30	1.5 (38.1)	0.38 (9.5)	0.41 (10.3)
35-60	2 (50.8)	0.63 (15.9)	0.81 (20.6)

Data sheets: 720003,5785317 (5-30 A), 5785305 (35-60 A)

14 x 51 mm, FWX

250 V a.c./V d.c. (UL), 1 to 50 A

Specifications

Description

Ferrule style high speed fuse links for the protection of DC common bus, DC drives, power converters/rectifiers rated voltage starters.

Technical data

Rated voltage:

- 250 V a.c. (UL, all ratings)
- 250 V d.c. (UL, 5-50 A only).

Rated current: 1-50 A.

Breaking capacity:

- 200 kA RMS Sym. (UL, all ratings)
- 50 kA at 250 V d.c. (UL, 5-30 A only).

Operating class: aR.

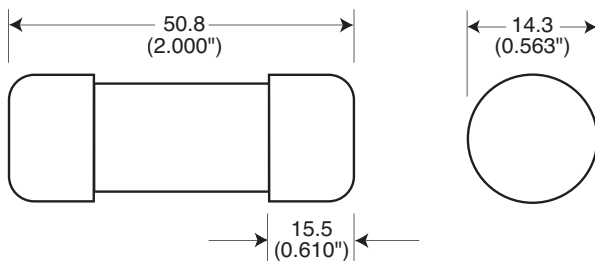
Standards / Agency information

CE, UL recognised 1-50 A & CSA component acceptance: 5-30 A.



Fuse link size	Rated voltage	Rated current (Amps)	I ² t (A ² Sec)		Watts loss (W)	Catalogue numbers
			Pre-arcing	Clearing at 250 V a.c.		
14 x 51mm (9/16" x 2")	250 V a.c. (UL)	1	0.03	0.4	5.7	FWX-1A14F
		2	0.08	0.1	8.6	FWX-2A14F
		3	0.11	0.26	2.8	FWX-3A14F
		4	0.1	0.23	3	FWX-4A14F
	250 V a.c./V d.c. (UL)	5	1.6	13	1.3	FWX-5A14F
		10	3.6	24	3.4	FWX-10A14F
		15	14	83	3.8	FWX-15A14F
		20	33	200	4.6	FWX-20A14F
		25	58	300	5.3	FWX-25A14F
		30	100	500	5.9	FWX-30A14F
		50	200	1800	5.7	FWX-50A14F

Dimensions - mm (in)



6 x 32 mm, FWH

500 V a.c. (UL), 0.25 to 30 A

Specifications

Description

Ferrule style high speed fuse links for the protection of DC common bus, DC drives, power converters/rectifiers and reduced rated voltage starters.

Technical data

Rated voltage:

- 500 V a.c. (UL)
- 600 V d.c. (UL, 2A and 5A only).

Rated current: 0.25-30 A.

Breaking capacity:

- 50 kA (0.25-20 A)
- 20 kA (25-30 A)¹
- 50 kA at 600 V d.c. (UL 2 and 5A only).

Operating class: aR.

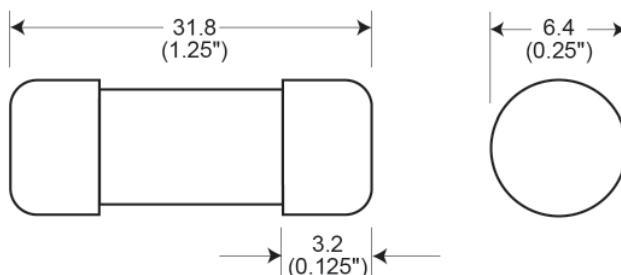
Standards / Agency information

CE, UL recognised 0.25-30 A including 2A at 1000 V a.c., CSA component
Acceptance: 0.25-7 A.



Fuse link size	Rated voltage	Rated current (Amps)	I ² t (A ² Sec)		Watts loss (W)	Catalogue numbers
			Pre-arcing	Clearing at 500 V a.c.		
6 x 32 mm (¼" x 1¼")	500 V a.c. (UL)	0.25	0.01	0.05	2.7	FWH-250A6F
		0.5	0.05	0.25	1.2	FWH-500A6F
		1	0.4	2	1.7	FWH-001A6F
	500 V a.c. / 600 V d.c. (UL)	2	1.3	3.5	3.2	FWH-002A6F
		3.15	3.1	7.7	2.9	FWH-3-15A6F
	500 V a.c. / 600 V d.c. (UL)	5	15	40	2.1	FWH-005A6F
		6.3	36	90	2.3	FWH-6-30A6F
	500 V a.c. (UL)	7	50	125	2.5	FWH-007A6F
		10	9.9	139	2.86	FWH-010A6F
		12.5	20	60	3.53	FWH-12-5A6F
		15	44	146	3.08	FWH-015A6F
		16	48	177	4.48	FWH-016A6F
		20	75	259	4.26	FWH-020A6F
		25	126	345	-	FWH-025A6F
		30	145	430	-	FWH-030A6F

Dimensions - mm (in)



¹ Tested at PF = 76%.

Data sheets: 720038, 5785256 (0.25-7A), 50955 (10-30 A)

14 x 51 mm, FWH

500 V a.c./V d.c. (UL), 1 to 30 A

Specifications

Description

Ferrule style high speed fuse links for the protection of DC common bus, DC drives, power converters/rectifiers and reduced rated voltage starters.

Technical data

Rated voltage:

- 500 V a.c. (UL, all ratings)
- 500 V d.c. (UL, 5-30 A only)

Rated current: 1-30 A

Breaking capacity:

- 200 kA RMS Sym. all ratings
- 50 kA at 500 V d.c. 5-30 A only

Operating class: aR

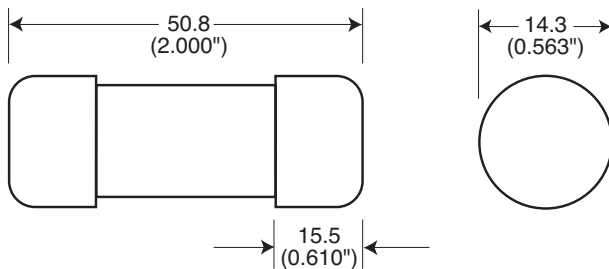
Standards / Agency information

CE, UL Recognised 1-30 A & CSA Component Acceptance: 5-30 A.



Fuse link size	Rated voltage	Rated current (Amps)	I ² t (A ² Sec)		Watts loss (W)	Catalogue numbers
			Pre-arcing	Clearing at 500 V a.c.		
14 x 51 mm (⁹ / ₁₆ " x 2")	500 V a.c. (UL)	1	0.04	0.2	5.7	FWH-1A14F
		2	0.08	0.1	8.7	FWH-2A14F
		3	0.11	0.2	2.8	FWH-3A14F
		4	0.1	0.2	3	FWH-4A14F
	500 V a.c./V d.c. (UL)	5	2	7	1.5	FWH-5A14F
		6	2	7	1.5	FWH-6A14F
		10	4	15	4	FWH-10A14F
		12	7	25	4.3	FWH-12A14F
		15	10	40	5.5	FWH-15A14F
		20	26	100	6.5	FWH-20A14F
		25	49	200	7	FWH-25A14F
		30	58	240	9	FWH-30A14F

Dimensions - mm (in)



10 x 38 mm, FWC

600-700 V a.c./700 V d.c. (UL), 1 to 32A

Specifications

Description

Ferrule style high speed fuse links for the protection of DC common bus, DC drives, power converters/rectifiers and reduced rated voltage starters.

Technical data:

Rated voltage:

- 700 V a.c./dc (UL, 1-4 A)
- 600 V a.c. (UL, 6-32 A), 700 V d.c. (UL, 6-25 A)

Rated current: 1-32 A

Breaking capacity:

- 200 kA RMS Sym. at 600 V a.c. (6-32 A)
- 200 kA RMS Sym. at 700 V a.c. (1-4 A)
- 10 kA DC at 700 V d.c. (1-25 A)

Operating class: aR

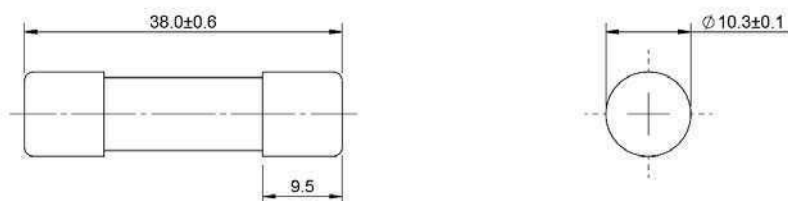
Standards / Agency information

CE, UL Recognised: 6-32 A.



Fuse link size	Rated voltage	Rated current (Amps)	I ² t (A ² Sec)		Watts loss (W)	Catalogue numbers		
			Pre-arcing	Clearing at 600 V a.c.				
10 x 38 mm (13/32" x 1 1/2")	700 V a.c./V d.c. (UL)	1	0.2	1.2	0.5	FWC-1A10F		
		2	0.5	3	1.2	FWC-2A10F		
		3	1.6	11	1.5	FWC-3A10F		
		4	5.2	32	1.5	FWC-4A10F		
	600 V a.c./ 700 V d.c. (UL)	6	4	4	30	1.5	FWC-6A10F	
		8	6	6	50	2	FWC-8A10F	
		10	9	9	70	2.5	FWC-10A10F	
		12	15	15	120	3	FWC-12A10F	
		16	25	25	150	3.5	FWC-16A10F	
		20	34	34	260	4.8	FWC-20A10F	
		25	60	60	390	6	FWC-25A10F	
		600 V a.c. (UL)	32	95	95	600	7.5	FWC-32A10F

Dimensions - mm (in)



14 x 51 mm, FWP

690 V a.c. (IEC), 700 V a.c. (UL), 600 - 700 V d.c. (UL), 1 to 50 A

Specifications

Description

Ferrule style high speed fuse links for the protection of DC common bus, DC drives, power converters/rectifiers and reduced rated voltage starters. Available with or without striker.

Technical data

Rated voltage:

- Without striker: see table.
- With striker: 700 V a.c. / 600 V d.c. (UL).

Rated current: 1-50 A.

Breaking capacity:

- 200 kA RMS Sym.
- 50 kA at 800 V d.c. (5-50 A non striker version).
- 600 V d.c. for striker version.

Operating class: aR

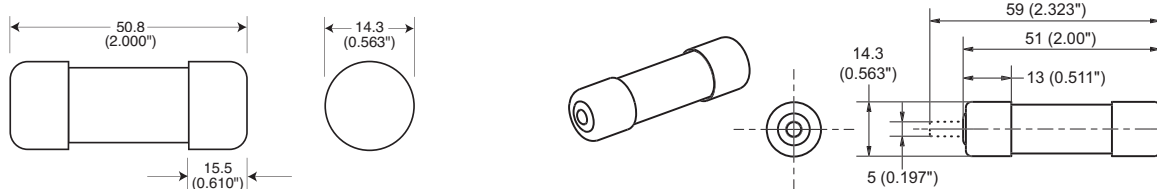


Standards / Agency information

CE, UL recognised & CSA component acceptance for versions without striker only.

Fuse link type	Fuse link size	Rated voltage	Rated current (Amps)	I ² t (A ² Sec)		Watts loss (W)	Catalogue numbers
				Pre-arcing	Clearing at 700 V a.c.		
Without striker	14 x 51 mm (9/16" x 2")	700 V a.c. (UL)	1	0.04	0.41	5.7	FWP-1A14F
			2	0.08	0.11	8.7	FWP-2A14F
			3	0.11	0.26	2.8	FWP-3A14F
			4	0.1	0.23	3	FWP-4A14F
		690 V a.c. (IEC) 700 V a.c./700 V d.c. (UL)	5	2	11	1.5	FWP-5A14F
			10	4	22	4	FWP-10A14F
			15	10	70	5.5	FWP-15A14F
			20	26	180	6.5	FWP-20A14F
			25	49	320	7	FWP-25A14F
			30	58	400	9	FWP-30A14F
			32	68	600	8	FWP-32A14F
			40	84	750	8	FWP-40A14F
			50	200	1800	9	FWP-50A14F
			With striker	14 x 51 mm (9/16" x 2")	700 V a.c. / 600 V d.c. (UL)	10	4
15	7	63				4	FWP-15A14FI
20	26	234				4	FWP-20A14FI
25	42	378				4	FWP-25A14FI
30	52	468				6	FWP-30A14FI
32	68	600				8	FWP-32A14FI
40	84	750				8	FWP-40A14FI
50	200	1800				9	FWP-50A14FI

Dimensions - mm (in)



Without striker

With striker

Data sheets: 720025, 5781724 fuses without striker; 5785566 fuses with striker

22 x 58 mm, FWP

700 V a.c./V d.c. (UL), 20 to 100 A

Specifications

Description

Ferrule style high speed fuse links for the protection of DC common bus, DC drives, power converters/rectifiers and reduced rated voltage starters. Available with or without striker.

Technical data

Rated voltage: 700 V a.c./V d.c. (UL)

Rated current: 20-100 A

Breaking capacity:

- 200 kA RMS Sym.
- 50 kA at 700 V d.c., t/c 5 ms

Operating Class: aR

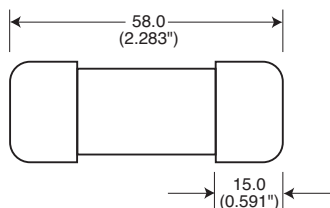
Standards / Agency information

CE, UL Recognised, CSA Component Acceptance for versions without striker only.

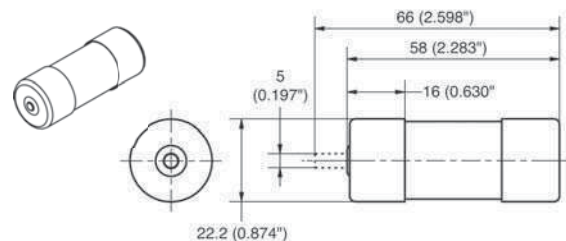


Fuse link type	Fuse link size	Rated voltage	Rated current (Amps)	I ² t (A ² Sec)		Watts loss (W)	Catalogue numbers
				Pre-arcing	Clearing at 700 V a.c.		
Without striker	22 x 58 mm (7/8" x 2 9/32")	700 V a.c./ 700 V d.c. (UL)	20	23	330	5	FWP-20A22F
			25	37	530	6	FWP-25A22F
			32	55	780	8	FWP-32A22F
			40	68	960	12	FWP-40A22F
			50	155	2200	12.5	FWP-50A22F
			63	280	4000	15	FWP-63A22F
			80	550	7800	15	FWP-80A22F
With striker	22 x 58 mm (7/8" x 2 9/32")	700 V a.c./ 700 V d.c. (UL)	20	19	260	5	FWP-20A22FI
			25	34	410	6	FWP-25A22FI
			32	53.5	605	8	FWP-32A22FI
			40	68	750	9	FWP-40A22FI
			50	135	1600	9.5	FWP-50A22FI
			63	280	3080	11	FWP-63A22FI
			80	600	6600	13.5	FWP-80A22FI
			100	1100	12,500	16	FWP-100A22FI

Dimensions - mm (in)



Without striker



With striker

Data sheets: 720026, 5781723

20 x 127 mm and 25 x 146 mm, FWK

750 V d.c. (IEC), 5 to 60 A

Specifications

Description

Ferrule style high speed fuse links for the protection of DC common bus, DC drives, power converters/rectifiers and reduced rated voltage starters.

Technical Data

Rated voltage: 750 V d.c. (IEC)

Rated current:

- 5-30 A (20 x 127 mm)

- 35-60 A (25 x 146 mm)

Breaking capacity: 50 kA at 750 V d.c., L/R 10-15ms

Operating class: gG

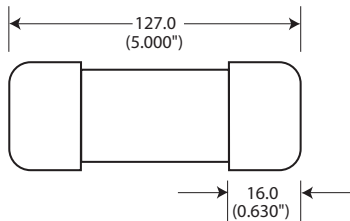
Standards / Agency information:

CE.

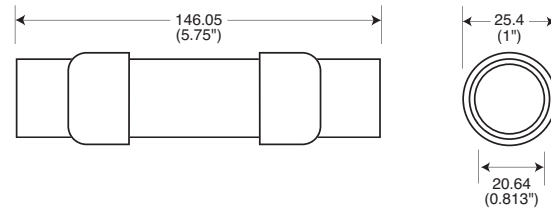


Fuse link size	Rated voltage	Rated current (Amps)	I ² t (A ² Sec)		Watts loss (W)	Catalogue numbers
			Pre-arcing	Clearing at 750 V a.c.		
20 x 127 mm (13/16" x 5")	750 V d.c. (IEC)	5	8.5	16	6.7	FWK-5A20F
		8	50	100	8.8	FWK-8A20F
		10	95	200	8.5	FWK-10A20F
		15	100	240	5	FWK-15A20F
		20	125	315	7.8	FWK-20A20F
		25	400	1100	6.5	FWK-25A20F
		30	800	2600	6.5	FWK-30A20F
25 x 146 mm (1" x 5 3/4")	750 V d.c. (IEC)	35	1300	4600	6	FWK-35A25F
		40	1600	5300	6.8	FWK-40A25F
		50	3100	12,000	7.3	FWK-50A25F
		60	5900	24,000	7.7	FWK-60A25F

Dimensions - mm (in)



20 x 127 mm 5-30 A



25 x 146 mm 35-60 A

14 x 67 mm, FWJ

1000 V a.c./ 800 V d.c. (UL), 20 to 30 A

Specifications

Description

Ferrule style high speed fuse links for the protection of DC common bus, DC drives, power converters/rectifiers and reduced rated voltage starters. Available with or without striker for remote indication.

Technical data

Rated voltage: 1000 V a.c./ 800 V d.c.

Rated current: 20-30 A

Breaking capacity:

- 25kA RMS Sym.
- 50 kA at 800 V d.c.

Operating class: a-R

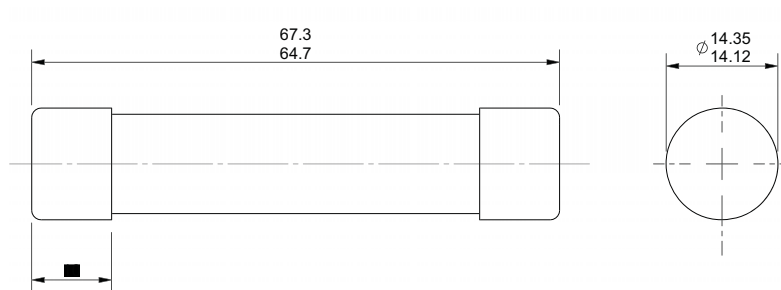
Standards / Agency information

CE, UL Recognised.



Fuse link size	Rated voltage	Rated current (Amps)	I ² t (A ² Sec)		Watts loss (W)	Catalogue numbers
			Pre-arcing	Clearing at 1000 V a.c.		
14 x 67 mm (⁹ / ₁₆ " x 2 ⁵ / ₈ ")	1000 V a.c./	20	25	220	9	FWJ-20A14F
	800 V d.c. (UL)	25	33	350	11	FWJ-25A14F
		30	52	450	14	FWJ-30A14F

Dimensions - mm



20 x 127 mm, FWL

1200 V a.c./1000 V d.c. (IEC), 20 to 30 A

Specifications

Description

Ferrule style high speed fuse links for the protection of DC common bus, DC drives, power converters/rectifiers and reduced rated voltage starters. Available with indicator.

Technical data

Rated voltage: 1200 V a.c./1000 V d.c. (IEC)

Rated current: 20-30 A

Breaking capacity:

- 50 kA RMS Sym.
- 50 kA at 1000 V d.c.

Operating Class: gR

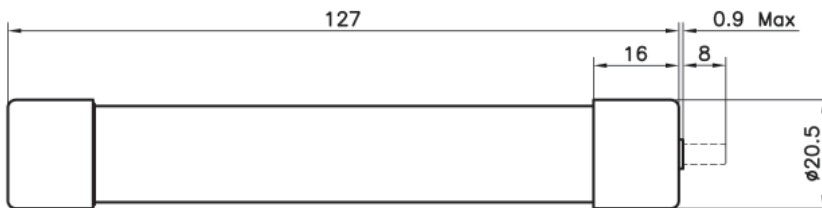
Standards / Agency information:

CE.



Fuse link size	Rated voltage	Rated current (Amps)	I ² t (A ² Sec)		Watts loss (W)	Catalogue numbers	
			Pre-arcing	Clearing at 1000 V a.c.		Without indicator	With indicator
20 x 127 mm (13/16" x 5")	1200 V a.c./ 1000 V d.c. (IEC)	20	675	1550	5.9	FWL-20A20F	FWL-20A20FI
		25	1200	2760	6.5	FWL-25A20F	FWL-25A20FI
		30	1850	4300	7.5	FWL-30A20F	FWL-30A20FI

Dimensions - mm



20 x 127 mm, FWS

1400 - 2000 V a.c./1000 V d.c. (IEC), 2 to 15 A

Specifications

Description

Ferrule style high speed fuse links for the protection of DC common bus, DC drives, power converters/rectifiers and reduced rated voltage starters. Available with indicator.

Technical Data

Rated voltage:

- 2000 V a.c./1000 V d.c. (IEC, 2-8 A)
- 1400 V a.c./1000 V d.c. (IEC, 10-15 A)

Rated current: 2-15 A

Breaking capacity:

- 50 kA RMS Sym.
- 50 kA at 1000 V d.c. (2-10 A only)

Operating class: gG

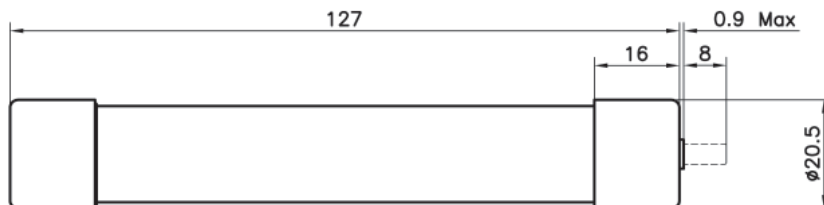
Standards/Agency Information:

CE.



Fuse link size	Rated voltage	Rated current (Amps)	I _t (A ² Sec)		Watts loss (W)	Cataloguenumbers	
			Pre-arcing	Clearing at 1000 V a.c.		Without indicator	With indicator
20 x 127 mm (13/16" x 5")	2000 V a.c./ 1000 V d.c. (IEC)	2	0.8	2.4	4.4	FWS-2A20F	FWS-2A20FI
		6	27	81	6.7	FWS-6A20F	FWS-6A20FI
		8	64	192	7.6	FWS-8A20F	FWS-8A20FI
	1400 V a.c./ 1000 V d.c. (IEC)	10	118	277	3	FWS-10A20F	FWS-10A20FI
		12	170	380	3.4	FWS-12A20F	FWS-12A20FI
		15	209	500	5	FWS-15A20F	FWS-15A20FI

Dimensions - mm



Square body fuse links

Size 000 and 00, DIN 43653, 170M

690 V a.c. (IEC), 700 V a.c./V d.c. (UL), 10 to 400 A

Specifications

Description

Square body DIN 43653 bolted tags high speed fuse links, for the protection of DC common bus, DC drives, power converters/rectifiers and reduced rated voltage starters.

Technical data

Rated voltage:

- 690 V a.c. (IEC, size 000 and 00)
- 700 V a.c. (UL, size 000; size 00 100-400 A only)
- 700 V d.c. (UL, size 000)

Rated current: 10-400 A

Breaking capacity:

- 200 kA RMS Sym.
- 50 kA at 700 V d.c. (size 000 only)

Operating class

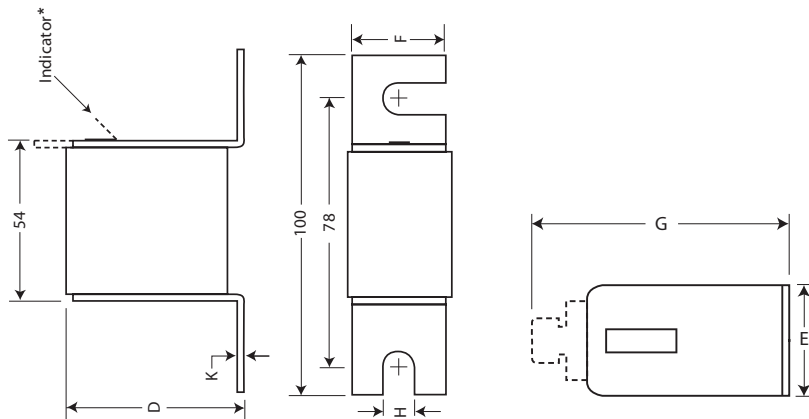
- gR - size 000 (10-63 A), size 00 (25-80 A)
- aR - size 000 (>63 A), size 00 (>80 A)

Standards/Agency Information

CE, Designed and tested to IEC 60269 part 4. UL Recognised/CSA Component Acceptance on Size 000. CCC approved.



Dimensions - mm



* Indication for Size 00 fuses is a red pin.

The dotted line illustrates the Type T indicator fuse link.

Type -U/80, -/80, -TN/80						
Size	D	E	F	G	H	K
000	40	21	20	51	8	2
00	51	30	28	67	10	2

Data sheets: 170K6310 (Size 000), 170K6312 (Size 00)

Size 000 and 00, DIN 43653, 170M
690 V a.c. (IEC), 700 V a.c./V d.c. (UL), 10 to 400 A

Fuse link body size	Rated voltage	Rated current (Amps)	I ² t (A ² Sec)		Watts loss (W)	Catalogue numbers		
			Pre-Arcing	Clearing at 660 V a.c.		-U/80 Without indicator	-/80 Visual indicator	-TN/80 Type T indicator for micro
000	690 V a.c. (IEC) 700 V a.c./V d.c. (UL)	10	3.8	25.5	3	170M1308	170M1358	170M1408
		16	7.2	48	5.5	170M1309	170M1359	170M1409
		20	11.5	78	7	170M1310	170M1360	170M1410
		25	19	130	9	170M1311	170M1361	170M1411
		32	40	270	10	170M1312	170M1362	170M1412
		40	69	460	12	170M1313	170M1363	170M1413
		50	115	770	15	170M1314	170M1364	170M1414
		63	215	1450	16	170M1315	170M1365	170M1415
		80	380	2550	19	170M1316	170M1366	170M1416
		100	695	4650	24	170M1317	170M1367	170M1417
		125	1250	8500	28	170M1318	170M1368	170M1418
		160	2350	16,000	32	170M1319	170M1369	170M1419
		200	4200	28,000	37	170M1320	170M1370	170M1420
		250	7750	51,500	42	170M1321	170M1371	170M1421
		315	12,000	80,500	53	170M1322	170M1372	170M1422
00	690 V a.c. (IEC)	25	19	130	6		170M2608	170M2658
		32	28.5	195	7		170M2609	170M2659
		40	50	360	9		170M2610	170M2660
		50	95	640	10		170M2611	170M2661
		63	170	1200	12		170M2612	170M2662
		80	310	2100	15		170M2613	170M2663
00	690 V a.c. (IEC) 700 V a.c. (UL)	100	620	4150	20		170M2614	170M2664
		125	1000	6950	25		170M2615	170M2665
		160	1900	13,000	30		170M2616	170M2666
		200	3400	23,000	35		170M2617	170M2667
		250	6250	42,000	45		170M2618	170M2668
		315	10,000	68,500	55		170M2619	170M2669
		350	13,500	91,500	60		170M2620	170M2670
		400	18,000	125,000	70		170M2621	170M2671

Size 1* to 3, DIN 43653, 170M

690 V a.c. (IEC), 700 V a.c. (UL), 40 to 2000 A

Specifications

Description

Square body DIN 43653 bolted tags high speed fuse links, for the protection of DC common bus, DC drives, power converters/rectifiers and reduced rated voltage starters.

Technical data

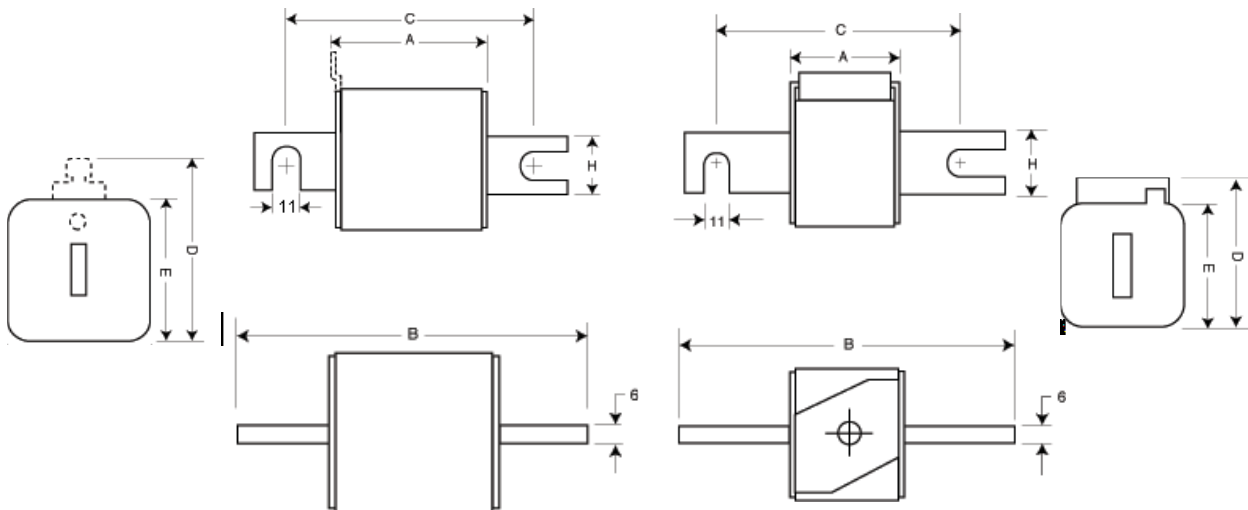
Rated voltage: 690 V a.c. (IEC)/700 V a.c. (UL)
 Rated current: 40-2000 A
 Breaking capacity: 200 kA RMS Sym.
 Operating class: aR



Standards / Agency information

CE, Designed and tested to IEC60269 Part 4. Consult Eaton's Bussmann business for UL Recognition/CSA Component Acceptance status. CCC except where noted.

Dimensions - mm



Type -/80, -TN/80, -/110, -TN/110								
Size	A	B	B ¹	C	C ¹	D ²	E	H
1*	50	104	134	78	108	58	45	22
1	50	108	138	78	108	66	53	25
2	50	108	138	78	108	75	61	25
3	51	109	139	78	108	90	76	30

Type -KN/80, -KN/110								
Size	A	B	B ³	C	C ³	D	E	H
1*	50	104	134	78	108	59	45	22
1	50	108	138	78	108	69	53	25
2	50	108	138	78	108	77	61	25
3	51	109	139	78	108	92	76	30

¹ Valid for fuse links type -/110, -TN/110.

² Valid for Fuse type -TN/80 and -TN/110.

1mm = 0.0394"

³ Valid for fuse links type -KN/110.

1mm = 0.0394"

Data sheets: 170K6314 (Size 1*), 170K6316 (Size 1), 170K6318 (Size 2), 170K6320 (Size 3)

Size 1* to 3, DIN 43653, 170M

690 V a.c. (IEC), 700 V a.c. (UL), 40 to 2000 A

Fuse link body size	Rated voltage	Rated current (Amps)	I ² t (A ² Sec)			Catalogue numbers					
			Pre-arcing	Clearing at 660 V a.c.	Watts loss (W)	-/80 Visual indicator	-TN/80 Type T indicator for micro	-KN/80 Type K indicator for micro	-/110 Visual indicator	-TN/110 Type T indicator for micro	-KN/110 Type K indicator for micro
1*	690 V a.c. (IEC) 700 V a.c. (UL)	40	40	270	9	170M3008	170M3058	170M3108	170M3158	170M3208	170M3258
		50	77	515	11	170M3009	170M3059	170M3109	170M3159	170M3209	170M3259
		63	115	770	14	170M3010	170M3060	170M3110	170M3160	170M3210	170M3260
		80	185	1250	18	170M3011	170M3061	170M3111	170M3161	170M3211	170M3261
		100	360	2450	21	170M3012	170M3062	170M3112	170M3162	170M3212	170M3262
		125	550	3700	26	170M3013	170M3063	170M3113	170M3163	170M3213	170M3263
		160	1100	7500	30	170M3014	170M3064	170M3114	170M3164	170M3214	170M3264
		200	2200	15,000	35	170M3015	170M3065	170M3115	170M3165	170M3215	170M3265
		250	4200	28,500	40	170M3016	170M3066	170M3116	170M3166	170M3216	170M3266
		315	7000	46,500	50	170M3017	170M3067	170M3117	170M3167	170M3217	170M3267
		350	10,000	68,500	55	170M3018	170M3068	170M3118	170M3168	170M3218	170M3268
		400	15,000	105,000	60	170M3019	170M3069	170M3119	170M3169	170M3219	170M3269
		450	21,000	140,000	65	170M3020	170M3070	170M3120	170M3170	170M3220	170M3270
		500	27,000	180,000	70	170M3021	170M3071	170M3121	170M3171	170M3221	170M3271
		550	34,000	230,000	75	170M3022	170M3072	170M3122	170M3172	170M3222	170M3272
630	48,500	325,000	80	170M3023	170M3073	170M3123	170M3173	170M3223	170M3273		
1	690 V a.c. (IEC) 700 V a.c. (UL)	200	1650	11,500	45	170M4008	170M4058	170M4108	170M4158	170M4208	170M4258
		250	3100	21,000	55	170M4009	170M4059	170M4109	170M4159	170M4209	170M4259
		315	6200	42,000	58	170M4010	170M4060	170M4110	170M4160	170M4210	170M4260
		350	8500	59,000	60	170M4011	170M4061	170M4111	170M4161	170M4211	170M4261
		400	13,500	91,500	65	170M4012	170M4062	170M4112	170M4162	170M4212	170M4262
		450	17,000	120,000	70	170M4013	170M4063	170M4113	170M4163	170M4213	170M4263
		500	25,000	170,000	72	170M4014	170M4064	170M4114	170M4164	170M4214	170M4264
		550	34,000	230,000	75	170M4015	170M4065	170M4115	170M4165	170M4215	170M4265
		630	52,000	350,000	80	170M4016	170M4066	170M4116	170M4166	170M4216	170M4266
		700	69,500	465,000	85	170M4017	170M4067	170M4117	170M4167	170M4217	170M4267
		800	105,000	725,000	95	170M4018	170M4068	170M4118	170M4168	170M4218	170M4268
900 ²	155,000	850,000 ²	100	170M4019 ¹	170M4069 ¹	170M4119 ¹	170M4169 ¹	170M4219 ¹	170M4269 ¹		
2	690 V a.c. (IEC) 700 V a.c. (UL)	400	11,000	74,000	65	170M5008	170M5058	170M5108	170M5158	170M5208	170M5258
		450	15,500	105,000	70	170M5009	170M5059	170M5109	170M5159	170M5209	170M5259
		500	21,500	145,000	75	170M5010	170M5060	170M5110	170M5160	170M5210	170M5260
		550	28,000	190,000	80	170M5011	170M5061	170M5111	170M5161	170M5211	170M5261
		630	41,000	275,000	90	170M5012	170M5062	170M5112	170M5162	170M5212	170M5262
		700	60,500	405,000	95	170M5013	170M5063	170M5113	170M5163	170M5213	170M5263
		800	86,000	575,000	105	170M5014	170M5064	170M5114	170M5164	170M5214	170M5264
		900	125,000	840,000	110	170M5015	170M5065	170M5115	170M5165	170M5215	170M5265
		1000	180,000	1,250,000	115	170M5016	170M5066	170M5116	170M5166	170M5216	170M5266
		1100 ³	245,000	1,600,000	120	170M5017	170M5067	170M5117	170M5167	170M5217	170M5267
		1250 ³	365,000	2,400,000	130	170M5018	170M5068	170M5118	170M5168	170M5218	170M5268
		3	690 V a.c. (IEC) 700 V a.c. (UL)	500	14,000	95,000	95	170M6008	170M6058	170M6108	170M6158
550	19,500			135,000	100	170M6009	170M6059	170M6109	170M6159	170M6209	170M6259
630	31,000			210,000	105	170M6010	170M6060	170M6110	170M6160	170M6210	170M6260
700	44,500			300,000	110	170M6011	170M6061	170M6111	170M6161	170M6211	170M6261
800	69,500			465,000	115	170M6012	170M6062	170M6112	170M6162	170M6212	170M6262
900	100,000			670,000	120	170M6013	170M6063	170M6113	170M6163	170M6213	170M6263
1000	140,000			945,000	125	170M6014	170M6064	170M6114	170M6164	170M6214	170M6264
1100	190,000			1,300,000	130	170M6015	170M6065	170M6115	170M6165	170M6215	170M6265
1250	290,000			1,950,000	140	170M6016	170M6066	170M6116	170M6166	170M6216	170M6266
1400	370,000			2,450,000	155	170M6017	170M6067	170M6117	170M6167	170M6217	170M6267
1500	460,000			3,100,000	160	170M6018	170M6068	170M6118	170M6168	170M6218	170M6268
1600	580,000			3,900,000	160	170M6019	170M6069	170M6119	170M6169	170M6219	170M6269
1800 ⁴	880,000			5,250,000 ⁴	165	170M6020	170M6070	170M6120	170M6170	170M6220	170M6270
2000 ⁵	1,150,000	6,350,000 ⁵	175	170M6021	170M6071	170M6121	170M6171	170M6221	170M6271		

¹ Not UL Approved ² Rated voltage: 550 V a.c. IEC ³ Rated voltage: 600 V a.c. IEC, 700 V a.c. UL ⁴ Rated voltage: 600 V a.c. IEC, 500 V a.c. UL ⁵ Rated voltage: 550 V a.c. IEC, 500 V a.c. UL

Data sheets: 170K6314 (Size 1*), 170K6316 (Size 1), 170K6318 (Size 2), 170K6320 (Size 3)

Size 00, DIN 43653, 170M

1000 V a.c. (IEC and UL), 20 to 315A

Specifications

Description

Square body DIN 43653 bolted tags high speed fuse links, for the protection of DC common bus, DC drives, power converters/rectifiers and reduced rated voltage starters.

Technical data

Rated voltage:

- 1000 V a.c. (IEC and UL 20-250 A)
- 900 V a.c. (IEC, 315 A)

Rated current: 20-315 A

Breaking capacity: 125 kA RMS Sym.

Operating class: aR

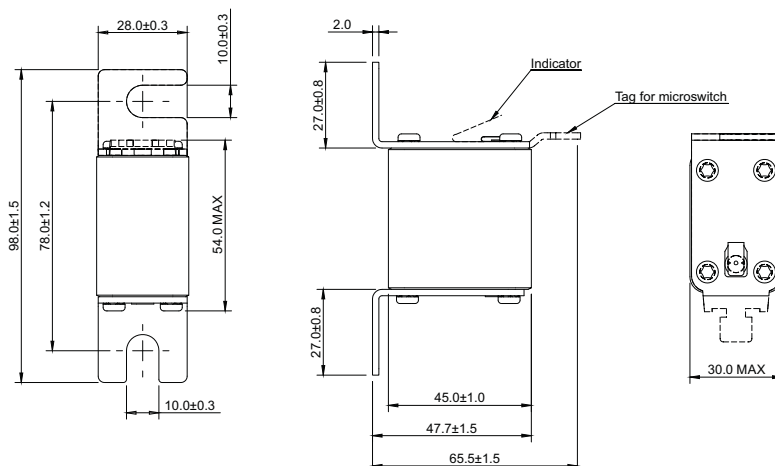
Standards / Agency information

CE, Designed and tested to IEC60269 Part 4, UL Recognised/CSA component acceptance status (20-250 A).



Fuse link body size	Rated voltage	Rated current (Amps)	I ² t (A ² Sec)			Catalogue numbers		
			Pre-arcing	Clearing at rated voltage	Watts loss (W)	00/80 Visual indicator	00TN/80 Type T indicator for micro	
00	1000 V a.c. (IEC/UL)	20	20	140	5	170M4802	170M4822	
		25	30	210	7	170M4803	170M4823	
		32	55	390	9	170M4804	170M4824	
		35	69	500	10	170M4805	170M4825	
		40	100	690	11	170M4806	170M4826	
		50	170	1200	13	170M4807	170M4827	
		63	280	2000	18	170M4808	170M4828	
		80	500	3500	22	170M4809	170M4829	
		100	950	6850	25	170M4810	170M4830	
		125	1500	11,500	33	170M4811	170M4831	
		160	3000	22,000	37	170M4812	170M4832	
		200	5600	40,500	40	170M4813	170M4833	
		250	10,000	74,000	48	170M4814	170M4834	
		900 V a.c. (IEC)	315	18,000	115,000	58	170M4815	170M4835

Dimensions - mm



Data sheet: 170K8504

Size 1* to 3, DIN 43653, 170M

1000 V a.c. (IEC and UL), 50 to 1400 A

Specifications

Description

Square body DIN 43653 bolted tags high speed fuse links, for the protection of DC common bus, DC drives, power converters / rectifiers and reduced rated voltage starters.

Technical data

Rated voltage:

- 1000 V a.c. (IEC, 50-1250 A), 900 V a.c. (IEC, 1400 A)
- 1000 V a.c. (UL size 2, size 3, 315-1100 A only)

Rated current: 50-1400 A

Breaking Capacity: 125kA RMS Sym.

Operating Class: aR

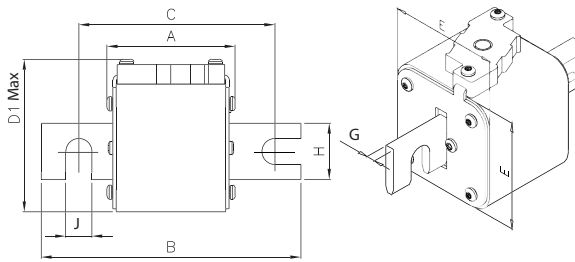
Standards/Agency Information

CE, Designed and tested to IEC60269 Part 4, UL Recognised (only sizes 2 & 3)

CCC only size 3 (315-1100 A)

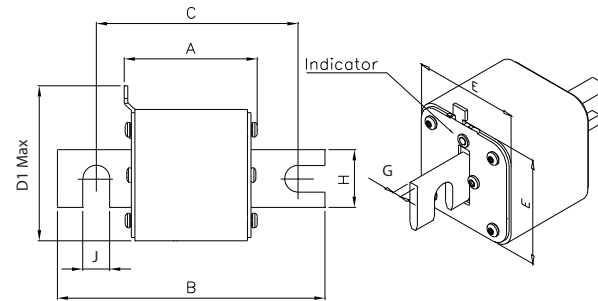


Dimensions - mm



Type -KN/110

Size	A	B	C	D1 (max)	E	G	H	J
1*KN/110	80	138	108	61	43	6	22	11
1KN/110	80	138	108	69	51	6	25	11
2KN/110	80	138	108	77	59	6	25	11
3KN/110	81	139	108	92	74	6	30	11



Type -TN/110

Size	A	B	C	D1 (max)	E	G	H	J
1*TN/110	80	138	108	61	43	6	22	11
1TN/110	80	138	108	69	51	6	25	11
2TN/110	80	138	108	75	59	6	25	11
3TN/110	81	139	108	90	74	6	30	11

Data sheets: 170K8564 (Size 1*), 170K8566 (Size 1), 170K8568 (Size 2), 170K8570 (Size 3)

Size 1* to 3, DIN 43653, 170M

1000 V a.c. (IEC and UL), 50 to 1400 A

Fuse link body size	Rated voltage	Rated current (Amps)	I ² t (A ² Sec)		Watts loss (W)	Catalogue numbers	
			Pre-arcing	Clearing at rated voltage		-KN/110 Type K indicator for micro	-TN/110 Type T indicator for micro
1*	1000 V a.c. (IEC)	50	135	815	20	170M3965	170M3981
		63	215	1300	25	170M3966	170M3982
		80	460	2750	30	170M3967	170M3983
		100	860	5100	35	170M3968	170M3984
		125	1450	8600	40	170M3969	170M3985
		160	2850	17,500	45	170M3970	170M3986
		200	4950	29,500	50	170M3971	170M3987
		250	9550	57,000	55	170M3972	170M3988
		315	21,500	130,000	65	170M3973	170M3989
		350	29,000	175,000	70	170M3974	170M3990
1	1000 V a.c. (IEC)	400	42,000	250,000	75	170M3975	170M3991
		160	2200	13,500	40	170M4965	170M4980
		200	4150	24,500	45	170M4966	170M4981
		250	7750	46,000	52	170M4967	170M4982
		315	16,500	98,500	60	170M4968	170M4983
		350	21,500	130,000	65	170M4969	170M4984
		400	31,000	185,000	70	170M4970	170M4985
		450	44,500	265,000	80	170M4971	170M4986
		500	63,000	375,000	85	170M4972	170M4987
		550	84,500	500,000	90	170M4973	170M4988
2	1000 V a.c. (IEC and UL)	630	125,000	755,000	98	170M4974	170M4989
		250	6750	40,000	65	170M5966	170M5981
		315	13,500	81,500	75	170M5967	170M5982
		350	16,500	99,000	80	170M5968	170M5983
		400	26,000	155,000	85	170M5969	170M5984
		450	35,500	210,000	90	170M5970	170M5985
		500	49,500	295,000	95	170M5971	170M5986
		550	66,000	390,000	100	170M5972	170M5987
		630	93,500	555,000	110	170M5973	170M5988
		700	130,000	770,000	115	170M5974	170M5989
3	1000 V a.c. (IEC and UL)	800	195,000	1,200,000	125	170M5975	170M5990
		315	9200	54,500	90	170M8614	170M8629
		350	13,000	77,500	95	170M8615	170M8630
		400	19,000	115,000	105	170M8616	170M8631
		450	27,000	160,000	107	170M8617	170M8632
		500	37,500	225,000	110	170M8618	170M8633
		550	52,000	310,000	115	170M8619	170M8634
		630	82,500	490,000	120	170M8620	170M8635
		700	115,000	700,000	125	170M8621	170M8636
		800	170,000	1,050,000	135	170M8622	170M8637
		900	250,000	1,500,000	145	170M8623	170M8638
		1000	340,000	2,050,000	150	170M8624	170M8639
1100	460,000	2,750,000	155	170M8625	170M8640		
1000 V a.c. (IEC)	1250	575,000	3,400,000	175	170M8626	170M8641	
900 V a.c. (IEC)	1400	795,000	4,200,000	185	170M8627	170M8642	

Data sheets: 170K8564 (Size 1*), 170K8566 (Size 1), 170K8568 (Size 2), 170K8570 (Size 3)

Size 1* to 3, DIN 43653, 170M

1250 V a.c. (IEC), 1300 V a.c. (UL), 50 to 1400 A

Specifications

Description

Square body DIN 43653 bolted tags high speed fuse links, for the protection of DC common bus, DC drives, power converters/rectifiers and reduced rated voltage starters.

Technical data

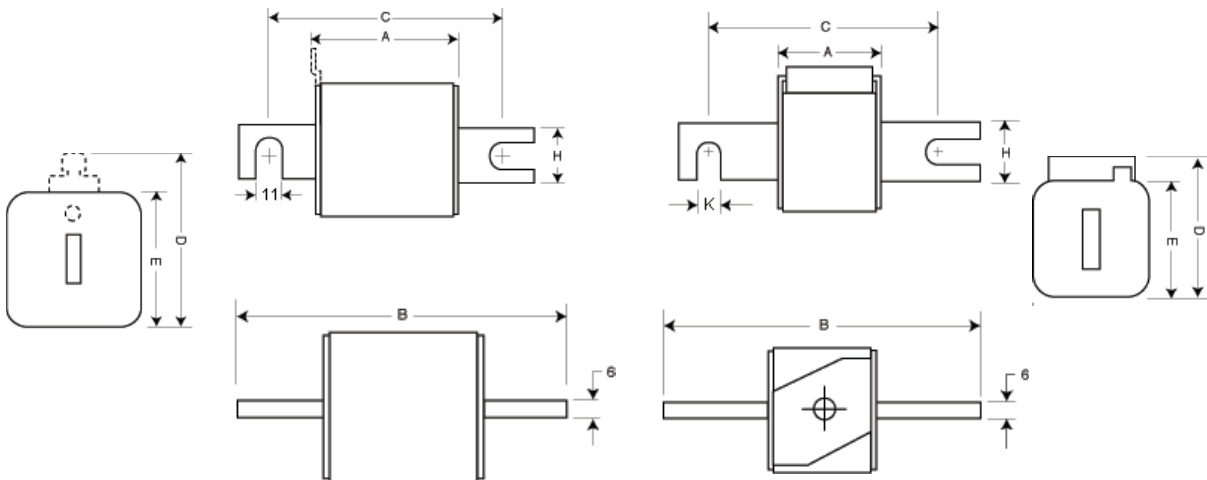
Rated voltage: see table page 42
 Rated current: 50-1400 A
 Breaking capacity: 100 kA RMS Sym.
 Operating class: aR

Standards / Agency information

CE, Designed and tested to IEC60269 Part 4. Consult Eaton's Bussmann business for UL Recognition/CSA Component Acceptance status.



Dimensions - mm



Type-110-TN/110

Size	A	B	C	D ¹	E	H	K
1*	80	138	108	58	45	20	11
1	80	138	108	66	53	25	11
2	80	138	108	75	61	25	11
3	81	139	108	90	76	30	11

¹ Clip on Microswitch valid for fuse links -TN//110.
 1mm = 0.0394"

Type-KN/110

Size	A	B	C	D	E	H	K
1*	80	138	108	60	45	20	11
1	80	138	108	69	53	25	11
2	80	138	108	77	61	25	11
3	81	139	108	92	76	30	11

1mm = 0.0394"

Data sheets: 170K6630 (Size 1*), 170K6632 (Size 1), 170K6634 (Size 2), 170K6636 (Size 3)

Size 1* to 3, DIN 43653, 170M

1250 V a.c. (IEC), 1300 V a.c. (UL), 50 to 1400 A

Fuse link body size	Rated voltage	Rated current (Amps)	I ² t (A ² Sec)			Watts loss (W)	Catalogue numbers				
			Pre-arcing	Clearing at 1000 V a.c.	Clearing at 1250 V a.c.		-/110 Visual indicator	-TN/110 Type T indicator for micro	-KN/110 Type K indicator for micro		
1*	1250 V a.c. (IEC) 1300 V a.c. (UL)	50	135	815	1100	15	170M3138	170M3188	170M3238		
		63	215	1300	1750	20	170M3139	170M3189	170M3239		
		80	420	2500	3350	25	170M3140	170M3190	170M3240		
		100	750	4450	5950	30	170M3141	170M3191	170M3241		
		125	1450	9000	11,500	35	170M3142	170M3192	170M3242		
		160	2600	16,000	21,000	40	170M3143	170M3193	170M3243		
		200	5150	31,000	41,000	45	170M3144	170M3194	170M3244		
		250	9200	54,500	73,000	55	170M3145	170M3195	170M3245		
		315	18,500	115,000	150,000	60	170M3146	170M3196	170M3246		
		350	27,000	165,000	220,000	65	170M3147	170M3197	170M3247		
		400	53,000	265,000	335,000	70	170M3148	170M3198	170M3248		
		1	1250 V a.c. (IEC) 1300 V a.c. (UL)	160	1900	11,500	15,500	45	170M4138	170M4188	170M4238
200	3800			22,500	30,000	50	170M4139	170M4189	170M4239		
250	7750			46,000	61,500	60	170M4140	170M4190	170M4240		
315	15,000			90,000	120,000	65	170M4141	170M4191	170M4241		
350	20,000			125,000	165,000	70	170M4142	170M4192	170M4242		
400	29,500			175,000	235,000	75	170M4143	170M4193	170M4243		
450	42,000			250,000	335,000	80	170M4144	170M4194	170M4244		
500	69,500			340,000	435,000	85	170M4145	170M4195	170M4245		
550	95,000			465,000	590,000	95	170M4146	170M4196	170M4246		
1100 V a.c. (IEC)	630			130,000	660,000	N/A	100	170M4147 ¹	170M4197 ¹	170M4247 ¹	
2	1250 V a.c. (IEC) 1300 V a.c. (UL)			250	6500	38,500	51,500	65	170M5138	170M5188	170M5238
				280	9350	55,500	74,500	70	170M5139	170M5189	170M5239
		315	13,000	77,500	105,000	75	170M5140	170M5190	170M5240		
		350	16,500	97,500	135,000	80	170M5141	170M5191	170M5241		
		400	23,000	140,000	180,000	85	170M5142	170M5192	170M5242		
		450	34,000	205,000	270,000	90	170M5143	170M5193	170M5243		
		500	48,000	285,000	380,000	95	170M5144	170M5194	170M5244		
		550	62,000	370,000	495,000	100	170M5145	170M5195	170M5245		
		630	115,000	575,000	730,000	120	170M5146	170M5196	170M5246		
		700	160,000	795,000	1,050,000	125	170M5147	170M5197	170M5247		
		800	245,000	1,200,000	1,550,000	130	170M5148	170M5198	170M5248		
		1100 V a.c. (IEC & UL)	900	360,000	1,750,000	N/A	135	170M5149	170M5199	170M5249	
1000	480,000	2,350,000	N/A	145	170M5150	170M5200	170M5250				
3	1300 V a.c. (UL)	315	9500	58,000	77,500	85	170M6138	170M6188	170M6238		
		350	13,500	81,500	110,000	90	170M6139	170M6189	170M6239		
		400	19,500	120,000	160,000	95	170M6140	170M6190	170M6240		
		450	31,000	185,000	245,000	100	170M6141	170M6191	170M6241		
		500	39,000	235,000	310,000	105	170M6142	170M6192	170M6242		
		550	55,000	325,000	435,000	110	170M6143	170M6193	170M6243		
		630	83,500	495,000	665,000	115	170M6144	170M6194	170M6244		
		700	115,000	705,000	940,000	120	170M6145	170M6195	170M6245		
		800	205,000	995,000	1,300,000	125	170M6146	170M6196	170M6246 ¹		
		900	305,000	1,500,000	1,900,000	130	170M6147	170M6197	170M6247 ¹		
		1000	450,000	2,150,000	2,750,000	135	170M6148	170M6198	170M6248 ¹		
		1100	575,000	2,800,000	3,600,000	160	170M6149	170M6199	170M6249 ¹		
1100 V a.c. (IEC)	1250	810,000	3,950,000	N/A	170	170M6150 ¹	170M6200 ¹	170M6250 ¹			
1400	1,250,000	6,000,000	N/A	175	170M6151 ¹	170M6201 ¹	170M6251 ¹				

¹ These fuse links are not UL recognised.

Data sheets: 170K6630 (Size 1*), 170K6632 (Size 1), 170K6634 (Size 2), 170K6636 (Size 3)

Size 00 to 3, DIN 43620, Full range (gR), 170M

690 V a.c. (IEC), 10 to 800 A

Specifications

Description

Square body DIN 43653 blade high speed fuse links. Full range protection fuse links provide both overload and short-circuit protection.

Technical data

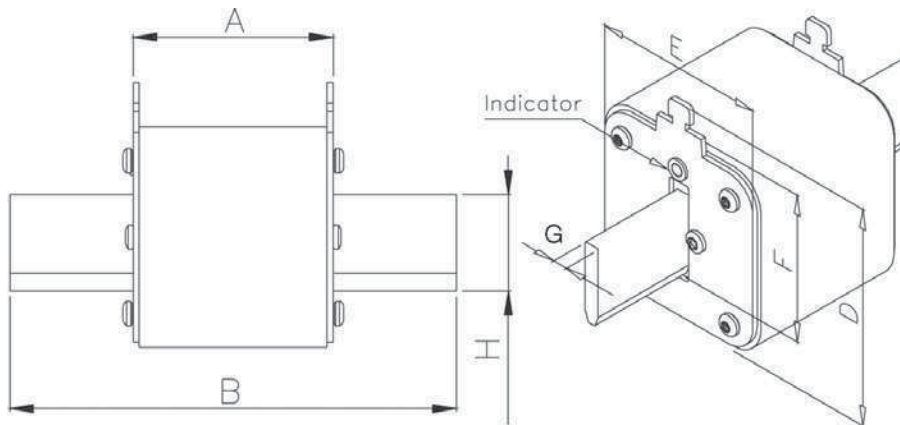
Rated voltage: 690 V a.c. (IEC)
 Rated current: 10-800 A
 Breaking capacity: 200 kA RMS Sym.
 Operating class: gR

Standards / Agency information

CE, Designed and tested to IEC60269 Part 4.



Dimensions - mm



Size	A	B	D (max)	E (max)	F	G	H (min)
00	49	78.5	60	30	35	6	15
1	68	135	66	52	40	6	20
2	68	150	74	60	48	6	25
3	68	150	89	75	60	6	32

Data sheets: 170K6412 (Size 00), 170K6416 (Size 1), 170K6418 (Size 2), 170K6420 (Size 3)

Size 00 to 3, DIN 43620, Full range (gR), 170M

690 V a.c. (IEC), 10 to 800 A

Fuse link body size	Rated voltage	Rated current (Amps) ¹	I ² t (A ² Sec)		Watts loss (W)	Catalogue numbers
			Pre-arcing	Clearing at 690 V a.c.		Type T indicator for micro
00	690 V a.c. (IEC)	10	3.8	20	3.5	170M2691
		16	7.2	38	5.5	170M2692
		20	13	70	6	170M2693
		25	24	125	8	170M2694
		32	53	275	9	170M2695
		40	95	490	10	170M2696
		50	185	1000	11	170M2697
		63	345	1800	14	170M2698
		80	695	3600	16	170M2699
		100	1250	6650	19	170M2700
		125	2300	12,000	23	170M2701
		160	4350	22,500	29	170M2702
		1	690 V a.c. (IEC)	50	135	705
63	245			1300	15	170M4177
80	500			2600	17	170M4178
100	950			4850	20	170M4179
125	1850			9500	23	170M4180
160	3450			18,000	28	170M4181
200	6750			34,500	31	170M4182
250	13,500			70,500	35	170M4183
315	26,000			135,000	41	170M4184
350	34,000			175,000	45	170M4185
2	690 V a.c. (IEC)	400	48,500	250,000	48	170M4186
		200	5650	29,000	33	170M5881
		250	10,000	52,500	40	170M5882
		315	19,500	105,000	46	170M5883
		350	26,000	135,000	50	170M5884
		400	39,500	205,000	53	170M5885
		450	55,500	290,000	59	170M5886
		500	73,000	375,000	66	170M5887
		550	100,000	515,000	70	170M5888
		630	150,000	770,000	79	170M5889
3	690 V a.c. (IEC)	350	23,000	120,000	55	170M6080
		400	34,000	175,000	59	170M6081
		450	48,500	250,000	62	170M6082
		500	64,000	330,000	67	170M6083
		550	84,500	435,000	70	170M6084
		630	125,000	645,000	85	170M6085
		700	160,000	840,000	93	170M6086
		800	245,000	1,300,000	99	170M6087

¹ The RMS Amp rating of this fuse links range is given with open fuse bases connected to copper conductors according to IEC 60269, Part 1, table 10. When used in enclosed fuse bases/disconnects, derating factors have to be observed. Please contact Eaton's Bussmann business for application assistance bulehighspeedtechnical@eaton.com.

Size 000 to 3, DIN 43620, Dual indicator fuse links, 170M

690 V a.c. (IEC), 700 V a.c. (UL), 10 to 1600 A

Specifications

Description

Square body DIN 43620 blade high speed fuse links with dual indicator system: one indicator in the fuse body and another one in the metallic end plate. Interchangeable with existing high speed DIN 43620 fuse links for the protection of UPS, soft starters, solid state relays, variable speed drives, rectifiers and inverters.

Technical data

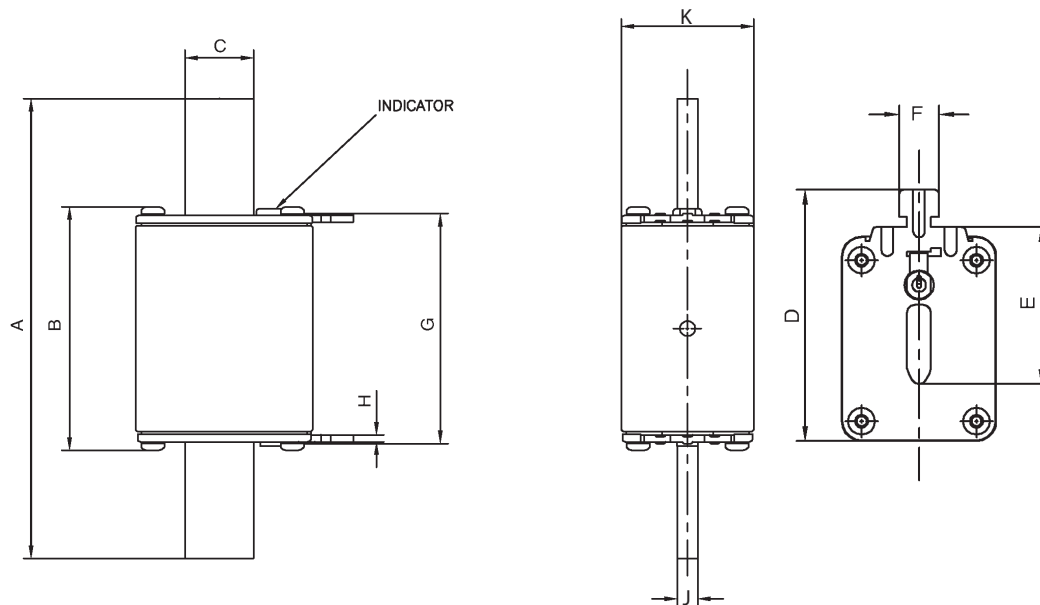
Rated voltage: 690 V a.c. (IEC), 700 V a.c. (UL)
 Rated current: 10-1600 A
 Breaking capacity: 200 kA RMS Sym.
 Operating class: gR (size 000, 10-63A), aR (others)

Standards / Agency information

CE, IEC60269 Part 4, UL and CSA Recognised.



Dimensions - mm



Size	A	B	C	D	E	F	G	H	J	K
000	78.5	53	15	52	35	10	49.7	1.5	6	20.5
00	78.5	53	15	59	35	10	49.7	2	6	30
1	135	71.4	20	64	40	10	67.5	2	6	40
2	150	71.4	25.1	72	48	10	67.5	2	6	54
3	150	72.4	32	87	60	10	68.5	2.5	6	71

Data sheets: 170K6386 (Size 000 and 00), 170K6388 (Size 1), 170K6390 (Size 2), 170K6392 (Size 3)

Size 000 to 3, DIN 43620, Dual indicator fuse links, 170M

690 V a.c. (IEC), 700 V a.c. (UL), 10 to 1600 A

Fuse link body size	Rated voltage	Rated current (Amps)	Max permissible load current	I ² t (A ² Sec)		Watts loss (W) ³	Catalogue numbers
				Pre-arcing	Clearing at 690 V a.c.		Dual indicator
000	690 V a.c. (IEC) 700 V a.c. (UL)	10	10	4	27	2.5	170M1558D
		16	16	7	51	4	170M1559D
		20	20	11.5	82.5	5	170M1560D
		25	25	19	140	6	170M1561D
		32	32	40	285	7	170M1562D
		40	40	65	490	8.5	170M1563D
		50	50	115	815	9.5	170M1564D
		63	63	215	1550	11.5	170M1565D
		80	80	380	2700	15	170M1566D
		100	100	695	4950	16.5	170M1567D
		125	125	1180	8250	21.5	170M1568D
		160	160	2300	16,500	25	170M1569D
		200	200	4350	31,000	29.5	170M1570D
250	250	7900	56,000	35.5	170M1571D		
00	690 V a.c. (IEC) / 700 V a.c. (UL)	315	315	12,000	84,500	45	170M1572D
1	690 V a.c. (IEC) 700 V a.c. (UL)	40	25	40	285	4	170M3808D
		50	30	78	550	4.5	170M3809D
		63	38	120	850	6.5	170M3810D
		80	50	185	1350	8.5	170M3811D
		100	60	360	2600	10	170M3812D
		125	75	550	3900	11	170M3813D
		160	95	1150	8250	12	170M3814D
		200	120	2300	16,500	12.5	170M3815D
		250	150	4350	31,000	16	170M3816D
		315	190	7300	52,000	20	170M3817D
		350	210	10,000	73,000	21.5	170M3818D
		400	240	16,000	115,000	23	170M3819D
		450	270	21,500	155,000	26.5	170M4863D
		500	300	27,000	190,000	28.5	170M4864D
		550	330	33,500	240,000	33	170M4865D
		630	380	48,500	345,000	37.5	170M4866D
		700	420	69,500	495,000	39	170M4867D ¹
2	690 V a.c. (IEC) 700 V a.c. (UL)	400	240	11,000	79,000	29	170M5808D
		450	270	16,000	115,000	32	170M5809D
		500	300	21,500	155,000	34	170M5810D
		550	330	29,000	215,000	36	170M5811D
		630	380	41,000	295,000	42	170M5812D
		700	420	60,500	430,000	43	170M5813D
		800	480	86,000	610,000	48	170M5814D
		900	540	125,000	895,000	52	170M5820D
3	690 V a.c. (IEC) 700 V a.c. (UL)	1000	600	180,000	1,300,000	53	170M5816D
		1100	660	245,000	1,750,000	56	170M5817D
		500	300	14,000	99,500	43	170M6808D
		550	330	19,500	140,000	44	170M6809D
		630	380	31,000	220,000	45	170M6810D
		700	420	45,000	320,000	46	170M6811D
		800	480	69,500	490,000	48	170M6812D
		900	540	100,000	720,000	50	170M6813D
		1000	600	140,000	985,000	56	170M6814D
		1100	660	190,000	1,400,000	57	170M6892D
		1250	750	300,000	2,150,000	61	170M8554D
1400	840	380,000	2,700,000	70	170M8555D		
1500	900	470,000	3,350,000	72	170M8556D		
1600	960	585,000	4,150,000	74	170M8557D		

¹ 170M4867D is not UL recognised.

³ Given at maximum load Rated current, please refer to data sheets for further details.

Data sheets: 170K6386 (Size 000 and 00), 170K6388 (Size 1), 170K6390 (Size 2), 170K6392 (Size 3)

Size 00, DIN 43620, 170M

1000 V a.c. (IEC and UL), 20 to 225 A

Specifications

Description

Square body DIN 43620 blade style high speed fuse links for the protection of DC common bus, DC drives, power converters/rectifiers and reduced rated voltage starters.

Technical data

Rated voltage:

- 1000 V a.c. (IEC and UL)
- 900 V a.c. (200 and 225A)

Rated current: 20-225A

Breaking capacity: 125kA RMS Sym.

Operating class: aR

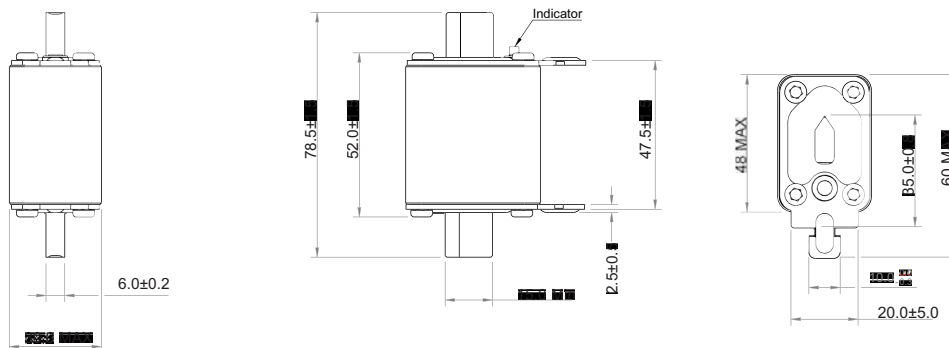
Standards / Agency information

CE, Designed and tested to IEC60269 Part 4, UL Recognised/CSA Component Acceptance status (20-160 A).



Fuse link body size	Rated voltage	Rated current Amps)	I ² t (A ² Sec)			Catalogue numbers
			Pre-arcing	Clearing at 1000 V a.c.	Watts loss (W)	Type T indicator for micro
00	1000 V a.c. (IEC/UL)	20	15	110	8.5	170M2673
		25	28.5	210	9.5	170M2674
		32	53	390	11	170M2675
		35	69	500	12	170M2676
		40	105	760	13	170M2677
		50	215	1550	14	170M2678
		63	380	2750	16	170M2679
		80	815	5900	18	170M2680
		100	1550	11,500	21	170M2681
		125	3000	22,000	23	170M2682
00	900 V a.c. (IEC)	160	6250	45,000	26	170M2683
		200	12,000	86,500	31	170M2684
		225	18,000	115,000	33	170M2685

Dimensions - mm



Data sheet: 170K8506

Size 1* to 3, French style, 170M

690 V a.c. (IEC), 700 V a.c. (UL), 40 to 1600 A

Specifications

Description

Square body French style high speed fuse links for the protection of DC common bus, DC drives, power converters/rectifiers and reduced rated voltage starters.

Technical data

Rated voltage: 690 V a.c. (IEC), 700 V a.c. (UL)

Rated current: 40-1600 A

Breaking capacity: 200 kA RMS Sym.

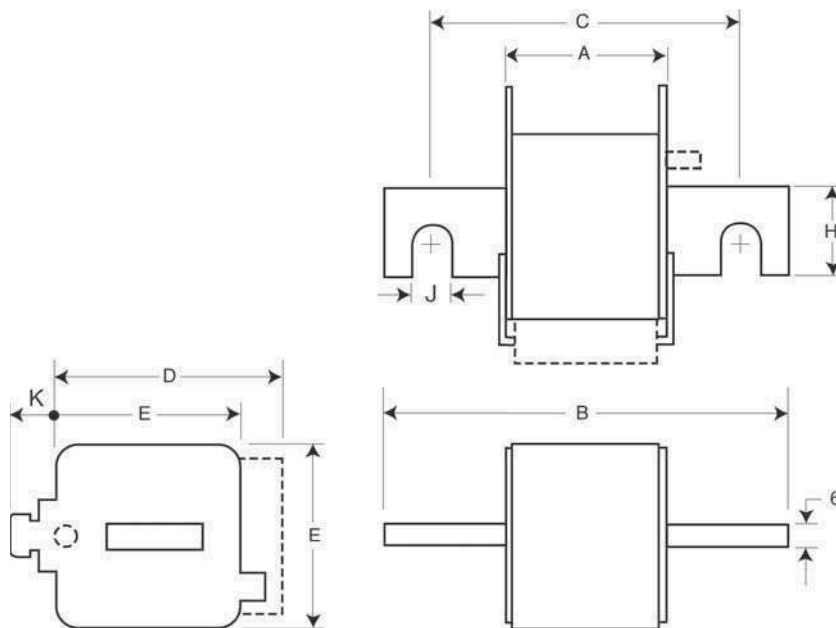
Operating class: aR

Standards / Agency information

CE, Designed and tested to IEC60269 Part 4, UL Recognised. For CCC approval, please consult Eaton's Bussmann business bulehighspeedtechnical@eaton.com.



Dimensions - mm



Type -E/-, -EKN/-

Size	A	B	C	D	E	H	J	K
1*	50	102	76	59	45	18	9	13
1	50	111	86	69	53	25	11	11
2	50	126	91	77	61	30	13	12
3	51	126	91	92	76	36	13	13

Data sheets: 170K6314 (Size 1*), 170K6316 (Size 1), 170K6318 (Size 2), 170K6320 (Size 3)

Size 1* to 3, French style, 170M

690 V a.c. (IEC), 700 V a.c. (UL), 40 to 1600 A

Fuse link body size	Rated voltage	Rated current (Amps)	I ² t (A ² Sec)		Watts loss (W)	Catalogue numbers	
			Pre-arcing	Clearing at 660 V a.c.		-E/- Type T indicator for micro	-EKN/- Type K indicator for micro
1*	690 V a.c. (IEC) 700 V a.c.(UL)	40	40	270	9	170M3308	170M3358
		50	77	515	11	170M3309	170M3359
		63	115	770	14	170M3310	170M3360
		80	185	1250	18	170M3311	170M3361
		100	360	2450	21	170M3312	170M3362
		125	550	3700	26	170M3313	170M3363
		160	1100	7500	30	170M3314	170M3364
		200	2200	15,000	35	170M3315	170M3365
		250	4200	28,500	40	170M3316	170M3366
		315	7000	46,500	50	170M3317	170M3367
		350	10,000	68,500	55	170M3318	170M3368
		400	15,000	105,000	60	170M3319	170M3369
		450	21,000	140,000	65	170M3320	170M3370
1	690 V a.c. (IEC) 700 V a.c.(UL)	500	27,000	180,000	70	170M3321	170M3371
		200	1650	11,500	45	170M4308	170M4358
		250	3100	21,000	55	170M4309	170M4359
		315	6200	42,000	58	170M4310	170M4360
		350	8500	59,000	60	170M4311	170M4361
		400	13,500	91,500	65	170M4312	170M4362
		450	17,000	120,000	70	170M4313	170M4363
		500	25,000	170,000	72	170M4314	170M4364
		550	34,000	230,000	75	170M4315	170M4365
		630	52,000	350,000	80	170M4316	170M4366
2	690 V a.c. (IEC) 700 V a.c.(UL)	700	69,500	465,000	85	170M4317	170M4367
		800	105,000	725,000	95	170M4318	170M4368
		400	11,000	74,000	65	170M5308	170M5358
		450	15,500	105,000	70	170M5309	170M5359
		500	21,500	145,000	75	170M5310	170M5360
		550	28,000	190,000	80	170M5311	170M5361
		630	41,000	275,000	90	170M5312	170M5362
		700	60,500	405,000	95	170M5313	170M5363
		800	86,000	575,000	105	170M5314	170M5364
		900	125,000	840,000	110	170M5315	170M5365
3	690 V a.c. (IEC) 700 V a.c.(UL)	1000	180,000	1,250,000	115	170M5316	170M5366
		500	14,000	95,000	95	170M6308	170M6358
		550	19,500	135,000	100	170M6309	170M6359
		630	31,000	210,000	105	170M6310	170M6360
		700	44,500	300,000	110	170M6311	170M6361
		800	69,500	465,000	115	170M6312	170M6362
		900	100,000	670,000	120	170M6313	170M6363
		1000	140,000	945,000	125	170M6314	170M6364
		1100	190,000	1,300,000	130	170M6315	170M6365
		1250	290,000	1,950,000	140	170M6316	170M6366
		1400	370,000	2,450,000	155	170M6317	170M6367
		1500	460,000	3,100,000	160	170M6318	170M6368
		1600	580,000	3,900,000	160	170M6319	170M6369

Data sheets: 170K6314 (Size 1*), 170K6316 (Size 1), 170K6318 (Size 2), 170K6320 (Size 3)

Size 1* to 3, US style, 170M

690 V a.c. (IEC), 700 V a.c. (UL), 40 to 2000 A

Specifications

Description

Square body US style bolted tags high speed fuse links for the protection of DC common bus, DC drives, power converters/rectifiers and reduced rated voltage starters.

Technical data

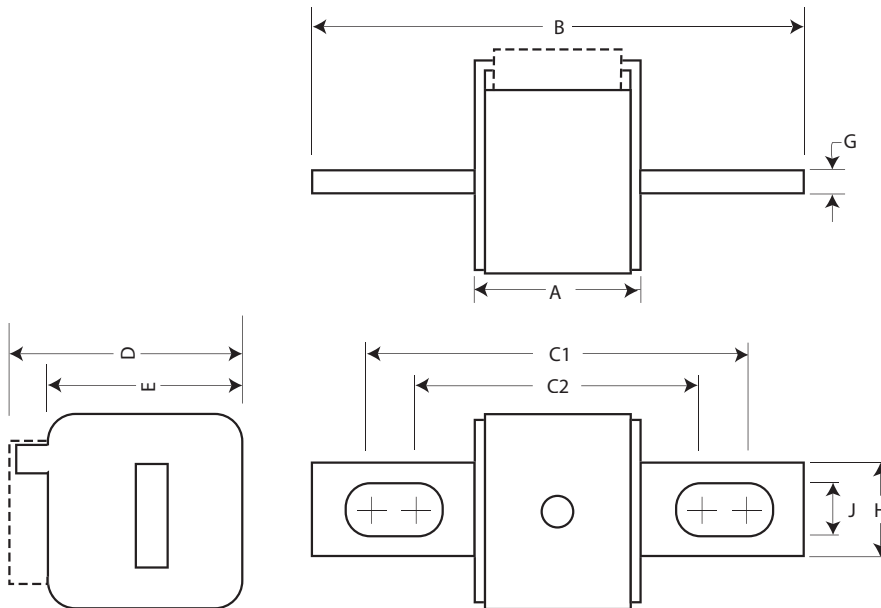
Rated voltage:	see table page 51
Rated current:	40-2000 A
Breaking capacity:	200 kA RMS Sym.
Operating class:	aR

Standards / Agency information

CE, Designed and tested to IEC60269 Part 4. Consult Eaton's Bussmann business for UL Recognition/CSA Component Acceptance status and CCC approvals.



Dimensions - mm



Type -FU/- , -FKE/- , FU/115- , -FKE/115

Size	A	B	B1	C1	C1'	C2	C2'	D	E	G	H	J
1*	50	110	148	85	123	72	110	59	45	6	20	10
1	50	136	157	104	126	78	100	69	53	6	25	14
2	50	135	159	105	125	78	99	77	61	6	25	14
3	51	135	155	106	125	77	97	92	76	6	36	16

¹ Valid for fuse links type -FU/115 & -FKE/115.
1mm = 0.0394"

Data sheets: 170K6314 (Size 1*), 170K6316 (Size 1), 170K6318 (Size 2), 170K6320 (Size 3)

Fuse link body size	Rated voltage	Rated current (Amps)	I ² t (A ² Sec)		Watts loss (W)	Catalogue numbers			
			Pre-arcing	Clearing at 660 V a.c.		-FU/- without indicator	-FKE/- Type K indicator for micro	-FU/115 without indicator	-FKE/115 Type K indicator for micro
1*	690 V a.c. (IEC) 700 V a.c. (UL)	40	40	270	9	170M3608	170M3658	170M3708	170M3758
		50	70	515	11	170M3609	170M3659	170M3709	170M3759
		63	115	770	14	170M3610	170M3660	170M3710	170M3760
		80	185	1250	18	170M3611	170M3661	170M3711	170M3761
		100	360	2450	21	170M3612	170M3662	170M3712	170M3762
		125	550	3700	26	170M3613	170M3663	170M3713	170M3763
		160	1100	7500	30	170M3614	170M3664	170M3714	170M3764
		200	2200	15,000	35	170M3615	170M3665	170M3715	170M3765
		250	4200	28,500	40	170M3616	170M3666	170M3716	170M3766
		315	7000	46,500	50	170M3617	170M3667	170M3717	170M3767
		350	10,000	68,500	55	170M3618	170M3668	170M3718	170M3768
		400	15,000	105,000	60	170M3619	170M3669	170M3719	170M3769
		450	21,000	140,000	65	170M3620	170M3670	170M3720	170M3770
		500	27,000	180,000	70	170M3621	170M3671	170M3721	170M3771
		550	34,000	230,000	75	170M3622	170M3672	170M3722	170M3772
		630	48,500	325,000	80	170M3623	170M3673	170M3723	170M3773
1	690 V a.c. (IEC) 700 V a.c. (UL)	200	1650	11,500	45	170M4608	170M4658	170M4708	170M4758
		250	3100	21,000	55	170M4609	170M4659	170M4709	170M4759
		315	6200	42,000	58	170M4610	170M4660	170M4710	170M4760
		350	8500	59,000	60	170M4611	170M4661	170M4711	170M4761
		400	13,500	91,500	65	170M4612	170M4662	170M4712	170M4762
		450	17,000	120,000	70	170M4613	170M4663	170M4713	170M4763
		500	25,000	170,000	72	170M4614	170M4664	170M4714	170M4764
		550	34,000	230,000	75	170M4615	170M4665	170M4715	170M4765
		630	52,000	350,000	80	170M4616	170M4666	170M4716	170M4766
		700	69,500	465,000	85	170M4617	170M4667	170M4717	170M4767
2	690 V a.c. (IEC) 700 V a.c. (UL)	800	105,000	725,000	95	170M4618	170M4668	170M4718	170M4768
		900	155,000	850,000	100	170M4619	170M4669	170M4719	170M4769
		400	11,000	74,000	65	170M5608	170M5658	170M5708	170M5758
		450	15,500	105,000	70	170M5609	170M5659	170M5709	170M5759
		500	21,500	145,000	75	170M5610	170M5660	170M5710	170M5760
		550	28,000	190,000	80	170M5611	170M5661	170M5711	170M5761
		630	41,000	275,000	90	170M5612	170M5662	170M5712	170M5762
		700	60,500	405,000	95	170M5613	170M5663	170M5713	170M5763
		800	86,000	575,000	105	170M5614	170M5664	170M5714	170M5764
		900	125,000	840,000	110	170M5615	170M5665	170M5715	170M5765
3	600 V a.c. (IEC) 700 V a.c. (UL)	1000	180,000	1,250,000	115	170M5616	170M5666	170M5716	170M5766
		1100	245,000	1,600,000	120	170M5617	170M5667	170M5717	170M5767
		1250	365,000	2,400,000	130	170M5618	170M5668	170M5718	170M5768
		500	14,000	95,000	95	170M6608	170M6658	170M6708	170M6758
		550	19,500	135,000	100	170M6609	170M6659	170M6709	170M6759
		630	31,000	210,000	105	170M6610	170M6660	170M6710	170M6760
		700	44,500	300,000	110	170M6611	170M6661	170M6711	170M6761
		800	69,500	465,000	115	170M6612	170M6662	170M6712	170M6762
		900	100,000	670,000	120	170M6613	170M6663	170M6713	170M6763
		1000	140,000	945,000	125	170M6614	170M6664	170M6714	170M6764
3	690 V a.c. (IEC) 700 V a.c. (UL)	1100	190,000	1,300,000	130	170M6615	170M6665	170M6715	170M6765
		1250	290,000	1,950,000	140	170M6616	170M6666	170M6716	170M6766
		1400	370,000	2,450,000	155	170M6617	170M6667	170M6717	170M6767
		1500	460,000	3,100,000	160	170M6618	170M6668	170M6718	170M6768
		1600	580,000	3,900,000	160	170M6619	170M6669	170M6719	170M6769
		1800	880,000	5,250,000	165	170M6620	170M6670 ¹	170M6720	170M6770
		2000	1,150,000	6,350,000	175	170M6621	170M6671 ²	170M6721	170M6771

¹ 170M6670 600 V a.c. (IEC)/550 V a.c. ² 170M6671 550 V a.c. (IEC and UL).

Data sheets: 170K6314 (Size 1*), 170K6316 (Size 1), 170K6318 (Size 2), 170K6320 (Size 3)

Size 1* to 3, US style, 170M

1000 V a.c. (IEC), 50 to 1400 A

Specifications

Description

Square body US style bolted tags high speed fuse links for the protection of DC common bus, DC drives, power converters/rectifiers and reduced rated voltage starters.

Technical data

Rated voltage: 1000 V a.c. (IEC), 900 V a.c. (IEC, 1400 A)

Rated current: 50-1400 A

Breaking capacity: 125kA RMS Sym.

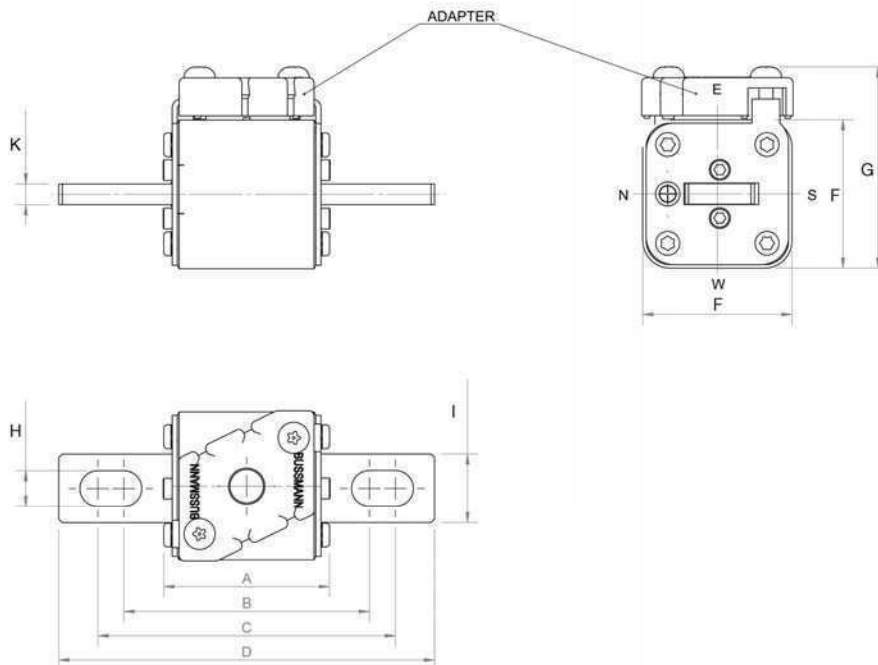
Operating class: aR

Standards / Agency information

CE, Designed and tested to IEC60269 Part 4. UL Recognised/CSA Component Acceptance status for size 2 and 3 (315-1100 A) and CCC approval for size 2 only.



Dimensions - mm



Size	A	B	C	D	F	G	H	I	K
1*FKE/115	74	101	130	156	43	60	10.4	20	6
1FKE/115	76	102	128	160	51	68	14.3	25	6
2FKE/115	76	101.1	127.5	160	59	76	14.4	25	6
3FKE/115	76	101.1	127.5	158	74	91	16	36	6

1mm = 0.0394"

Data sheets: 170K8564 (Size 1*), 170K8566 (Size 1), 170K8568 (Size 2), 170K8570 (Size 3)

Size 1* to 3, US style, 170M

1000 V a.c. (IEC), 50 to 1400 A

Fuse link body size	Rated voltage	Rated current (Amps)	I ² t (A ² Sec)		Watts loss (W)	Catalogue numbers	
			Pre-arcing	Clearing at 1000 V a.c.		-FKE/115 Type K indicator for micro	
1*	1000 V a.c. (IEC)	50	135	815	20	170M3531	
		63	215	1300	25	170M3532	
		80	460	2750	30	170M3533	
		100	860	5100	35	170M3534	
		125	1450	8600	40	170M3535	
		160	2850	17,500	45	170M3536	
		200	4950	29,500	50	170M3537	
		250	9550	57,000	55	170M3538	
		315	21,500	130,000	65	170M3539	
		350	29,000	175,000	70	170M3540	
1	1000 V a.c. (IEC)	400	42,000	250,000	75	170M3541	
		160	2200	13,500	40	170M4531	
		200	4150	24,500	50	170M4532	
		250	7750	46,000	55	170M4533	
		315	16,500	98,500	65	170M4534	
		350	21,500	130,000	70	170M4535	
		400	31,000	185,000	75	170M4536	
		450	44,500	265,000	80	170M4537	
		500	63,000	375,000	85	170M4538	
		550	84,500	500,000	90	170M4539	
2	1000 V a.c. (IEC/UL)	630	125,000	755,000	98	170M4540	
		250	6750	40,000	65	170M5531	
		315	13,500	81,500	75	170M5532	
		350	16,500	99,000	80	170M5533	
		400	26,000	155,000	85	170M5534	
		450	35,500	210,000	90	170M5535	
		500	49,500	295,000	95	170M5536	
		550	66,000	390,000	100	170M5337	
		630	93,500	555,000	110	170M5538	
		700	130,000	770,000	115	170M5539	
3	1000 V a.c. (IEC/UL)	800	195,000	1,200,000	125	170M5540	
		315	9200	54,500	90	170M8531	
		350	13,000	77,500	95	170M8532	
		400	19,000	115,000	105	170M8533	
		450	27,000	160,000	107	170M8534	
		500	37,500	225,000	110	170M8535	
		550	52,000	310,000	115	170M8536	
		630	82,500	490,000	120	170M8537	
		700	115,000	700,000	125	170M8538	
		800	170,000	1,050,000	135	170M8539	
3	1000 V a.c. (IEC)	900	250,000	1,500,000	145	170M8540	
		1000	340,000	2,050,000	150	170M8541	
		1100	460,000	2,750,000	155	170M8542	
		1250	575,000	3,400,000	175	170M8543	
		900 V a.c. (IEC)	1400	795,000	4,200,000	185	170M8544

Data sheets: 170K8564 (Size 1*), 170K8566 (Size 1), 170K8568 (Size 2), 170K8570 (Size 3)

Size 1* to 3, US style, 170M

1250 V a.c. (IEC), 1300 V a.c. (UL), 50 to 1400 A

Specifications

Description

Square body US style bolted tags high speed fuse links for the protection of DC common bus, DC drives, power converters/rectifiers and reduced rated voltage starters.

Technical data

Rated voltage: 1250 V a.c. (IEC), 1300 V a.c. (UL)

Rated current: 50-1400 A

Breaking capacity: 100 kA RMS Sym.

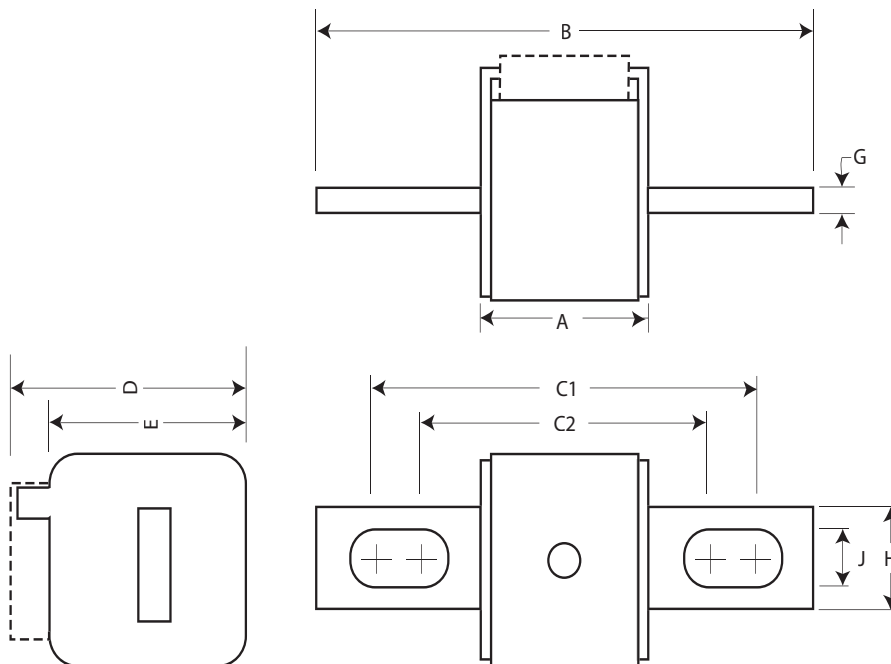
Operating class: aR

Standards / Agency information

CE, Designed and tested to IEC 60269 part 4. Consult Eaton's Bussmann business for UL Recognition/CSA Component Acceptance status and CCC approvals.



Dimensions - mm



Type-FU/115,-FKE/115

Size	A	B	C1	C2	D	E	G	H	J
1*	74	156	130	101	59	45	6	20	10
1	76	160	127	102	69	53	6	25	14
2	76	160	127	102	77	61	6	25	14
3	76	159	128	101	92	76	6	36	16

Data sheets: 170K6630 (Size 1*), 170K6632 (Size 1), 170K6634 (Size 2), 170K6636 (Size 3)

Size 1* to 3, US style, 170M

1250 V a.c. (IEC), 1300 V a.c. (UL), 50 to 1400 A

Fuse link body size	Rated voltage	Rated current (Amps)	I ² t (A ² Sec)			Watts loss (W)	Catalogue numbers		
			Pre-arcing	Clearing at 1000 V a.c.	Clearing at 1250 V a.c.		-FU/115 without indicator	-FKE/115 Type K indicator for micro	
1*	1250 V a.c. (IEC) 1300 V a.c. (UL)	50	135	815	1100	15	170M3688	170M3738	
		63	215	1300	1750	20	170M3689	170M3739	
		80	420	2500	3350	25	170M3690	170M3740	
		100	750	4450	5950	30	170M3691	170M3741	
		125	1450	9000	11,500	35	170M3692	170M3742	
		160	2600	16,000	21,000	40	170M3693	170M3743	
		200	5150	31,000	41,000	45	170M3694	170M3744	
		250	9200	54,500	73,000	55	170M3695	170M3745	
		315	18,500	115,000	150,000	60	170M3696	170M3746	
		350	27,000	165,000	220,000	65	170M3697	170M3747	
1	1250 V a.c. (IEC) 1300 V a.c. (UL)	160	1900	11,500	15,500	45	170M4688	170M4738	
		200	3800	22,500	30,000	50	170M4689	170M4739	
		250	7750	46,000	61,500	60	170M4690	170M4740	
		315	15,000	90,000	120,000	65	170M4691	170M4741	
		350	20,000	125,000	165,000	70	170M4692	170M4742	
		400	29,500	175,000	235,000	75	170M4693	170M4743	
	1100 V a.c. IEC	450	42,000	250,000	335,000	80	170M4694	170M4744	
		500	69,500	340,000	N/A	85	170M4695	170M4745	
		550	95,000	465,000	N/A	95	170M4696	170M4746	
		630	130,000	660,000	N/A	100	170M4697	170M4747	
2	1250 V a.c. (IEC) 1300 V a.c. (UL)	250	6500	38,500	51,500	65	170M5688	170M5738	
		280	9350	55,500	74,500	70	170M5689	170M5739	
		315	13,000	77,500	105,000	75	170M5690	170M5740	
		350	16,500	97,500	135,000	80	170M5691	170M5741	
		400	23,000	140,000	180,000	85	170M5692	170M5742	
		450	34,000	205,000	270,000	90	170M5693	170M5743	
		500	48,000	285,000	380,000	95	170M5694	170M5744	
		550	62,000	370,000	495,000	100	170M5695	170M5745	
		630	115,000	575,000	730,000	120	170M5696	170M5746	
		700	160,000	795,000	N/A	125	170M5697	170M5747	
1100 V a.c. IEC	800	245,000	1,200,000	N/A	130	170M5698	170M5748		
	900	360,000	1,750,000	N/A	135	170M5699	170M5749		
	1000	480,000	2,350,000	N/A	145	170M5700	170M5750		
	3	1250 V a.c. (IEC) 1300 V a.c. (UL)	315	9500	58,000	77,500	85	170M6688	170M6738
350			13,500	81,500	110,000	90	170M6689	170M6739	
400			19,000	120,000	160,000	95	170M6690	170M6740	
450			31,000	185,000	245,000	100	170M6691	170M6741	
500			39,000	235,000	310,000	105	170M6692	170M6742	
550			55,000	325,000	435,000	110	170M6693	170M6743	
630			83,500	495,000	665,000	115	170M6694	170M6744	
700			115,000	705,000	940,000	120	170M6695	170M6745	
1250 V a.c. (IEC)			800	205,000	995,000	1,300,000	125	170M6696	170M6746
			900	305,000	1,500,000	1,900,000	130	170M6697	170M6747
1100 V a.c. (IEC) 1000 V a.c. (UL)	1000	450,000	2,150,000	N/A	135	170M6698	170M6748		
	1100	575,000	2,800,000	N/A	160	170M6699	170M6749		
1000 V a.c. IEC & UL	1250	810,000	3,950,000	N/A	170	170M6700	170M6750		
	1400	1,250,000	6,000,000	N/A	175	170M6701	170M6751		

Data sheets: 170K6630 (Size 1*), 170K6632 (Size 1), 170K6634 (Size 2), 170K6636 (Size 3)

Size 00, Flush end contact, 170M

690 V a.c., 25 to 400 A

Specifications

Description

Square body flush end contact high speed fuse links, for the protection of DC common bus, DC drives, power converters/rectifiers and reduced rated voltage starters.

Technical data

Rated voltage:	690 V a.c. (IEC)
Rated current:	25-400 A
Breaking capacity:	200 kA RMS Sym.
Operating class:	gR (25-80 A), aR (100-400 A)

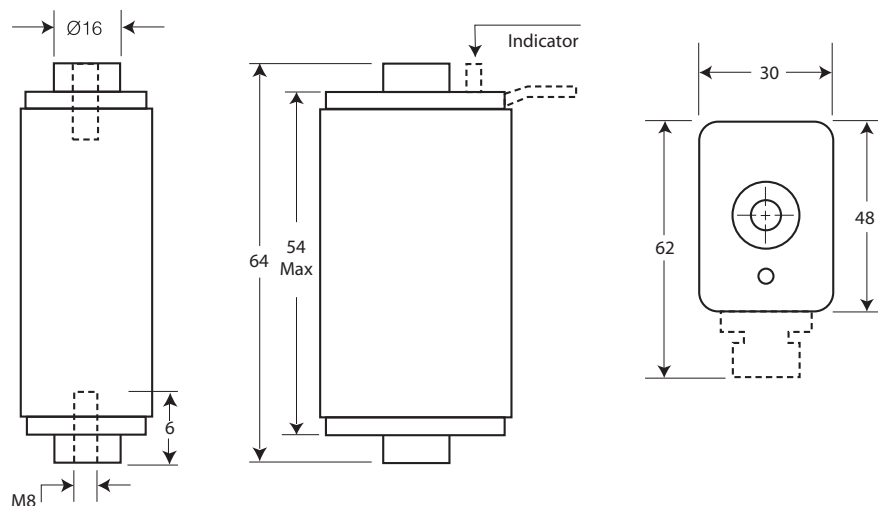
Standards / Agency information

CE, Designed and tested to IEC 60269 Part 4.



Fuse link body size	Rated voltage	Rated current (Amps)	I _t (A ² Sec)		Watts loss (W)	Catalogue numbers	
			Pre-arcing	Clearing at 660 V a.c.		00B/60 visual indicator	00BTN/60 Type T indicator for micro
00	690 V a.c. (IEC)	25	19	130	6	170M2708	170M2758
		32	28.5	195	7	170M2709	170M2759
		40	50	360	9	170M2710	170M2760
		50	95	640	10	170M2711	170M2761
		63	170	1200	12	170M2712	170M2762
		80	310	2100	15	170M2713	170M2763
		100	620	4150	20	170M2714	170M2764
		125	1000	6950	25	170M2715	170M2765
		160	1900	13,000	30	170M2716	170M2766
		200	3400	23,000	35	170M2717	170M2767
		250	6250	42,000	45	170M2718	170M2768
		315	10,000	68,500	55	170M2719	170M2769
		350	13,500	91,500	60	170M2720	170M2770
		400	18,000	125,000	70	170M2721	170M2771

Dimensions - mm



Data sheet: 170K6312

Size 1* to 3, Flush end contact, 170M

690 V a.c. (IEC), 700 V a.c. (UL), 40 to 2000 A

Specifications

Description

Square body flush end contact high speed fuse links, for the protection of DC common bus, DC drives, power converters/rectifiers and reduced rated voltage starters.

Technical data

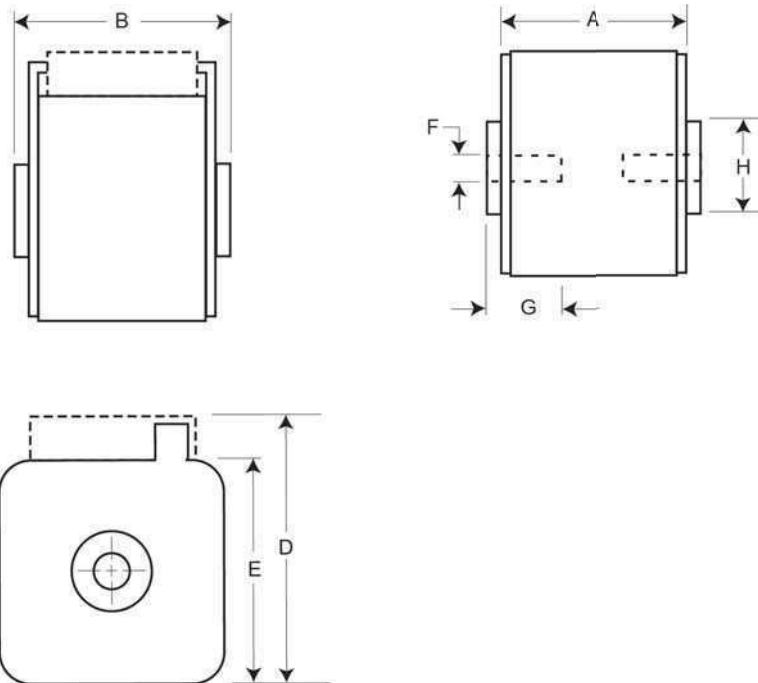
Rated voltage: see table page 58
 Rated current: 40-2000 A
 Breaking capacity: 200 kA RMS Sym.
 Operating class: aR

Standards / Agency information

CE, Designed and tested to IEC 60269 Part 4. Consult Eaton's Bussmann business for UL Recognition, CSA Component Acceptance Status and CCC approvals.



Dimensions - mm



Type -B/- , -BKN/- , -G/- , -GKN/-

Size	A	B	D ¹	E	F	F' (in)	G	H
1*	50	51	59	45	M8	5/16" -18 UNC-2B	5	N17
1	50	51	69	53	M8	5/16" -18 UNC-2B	8	N20
2	50	51 (400 - 1000 A) 65 (1100 and 1250 (A))	77	61	M10	3/8" -16 UNC-2B	10	N24
3	51	53 (500 - 1500 A) 65 (1600 - 2000 A)	92	76	M12	1/2" -13 UNC-2B	10	N30

¹ Valid for fuse links type -G- & -GKN/.

³ Valid for fuse links type -BKN/ and -GKN/.

Data sheets: 170K6314 (Size 1*), 170K6316 (Size 1), 170K6318 (Size 2), 170K6320 (Size 3)

Fuse link body size	Rated voltage	Rated current (Amps)	I ² t (A ² Sec)		Watts loss (W)	Catalogue numbers				
			Pre-arcing	Clearing at 660 V a.c.		-B/- visual indicator	-BKN/- Type K indicator for micro	-G/- visual indicator	-GKN/- Type K indicator for micro	
1*	690 V a.c. (IEC) 700 V a.c. (UL)	40	40	270	9	170M3408	170M3458	170M3508	170M3558	
		50	77	515	11	170M3409	170M3459	170M3509	170M3559	
		63	115	770	14	170M3410	170M3460	170M3510	170M3560	
		80	185	1250	18	170M3411	170M3461	170M3511	170M3561	
		100	360	2450	21	170M3412	170M3462	170M3512	170M3562	
		125	550	3700	26	170M3413	170M3463	170M3513	170M3563	
		160	1100	7500	30	170M3414	170M3464	170M3514	170M3564	
		200	2200	15,000	35	170M3415	170M3465	170M3515	170M3565	
		250	4200	28,500	40	170M3416	170M3466	170M3516	170M3566	
		315	7000	46,500	50	170M3417	170M3467	170M3517	170M3567	
		350	10,000	68,500	55	170M3418	170M3468	170M3518	170M3568	
		400	15,000	105,000	60	170M3419	170M3469	170M3519	170M3569	
		450	21,000	140,000	65	170M3420	170M3470	170M3520	170M3570	
		500	27,000	180,000	70	170M3421	170M3471	170M3521	170M3571	
		550	34,000	230,000	75	170M3422	170M3472	170M3522	170M3572	
630	48,500	325,000	80	170M3423	170M3473	170M3523	170M3573			
1	690 V a.c. (IEC) 700 V a.c. (UL)	200	1650	11,500	45	170M4408	170M4458	170M4508	170M4558	
		250	3100	21,000	55	170M4409	170M4459	170M4509	170M4559	
		315	6200	42,000	58	170M4410	170M4460	170M4510	170M4560	
		350	8500	59,000	60	170M4411	170M4461	170M4511	170M4561	
		400	13,500	91,500	65	170M4412	170M4462	170M4512	170M4562	
		450	17,000	120,000	70	170M4413	170M4463	170M4513	170M4563	
		500	25,000	170,000	72	170M4414	170M4464	170M4514	170M4564	
		550	34,000	230,000	75	170M4415	170M4465	170M4515	170M4565	
		630	52,000	350,000	80	170M4416	170M4466	170M4516	170M4566	
		700	69,500	465,000	85	170M4417	170M4467	170M4517	170M4567	
550 V a.c. (IEC)	800	105,000	725,000	95	170M4418	170M4468	170M4518	170M4568		
	900	155,000	850,000	100	170M4419	170M4469	170M4519	170M4569		
2	690 V a.c. (IEC) 700 V a.c. (UL)	400	11,000	74,000	65	170M5408	170M5458	170M5508	170M5558	
		450	15,500	105,000	70	170M5409	170M5459	170M5509	170M5559	
		500	21,500	145,000	75	170M5410	170M5460	170M5510	170M5560	
		550	28,000	190,000	80	170M5411	170M5461	170M5511	170M5561	
		630	41,000	275,000	90	170M5412	170M5462	170M5512	170M5562	
		700	60,500	405,000	95	170M5413	170M5463	170M5513	170M5563	
		800	86,000	575,000	105	170M5414	170M5464	170M5514	170M5564	
		900	125,000	840,000	110	170M5415	170M5465	170M5515	170M5565	
		1000	180,000	1,250,000	115	170M5416	170M5466	170M5516	170M5566	
		600 V a.c. (IEC) 700 V a.c. (UL)	1100	245,000	1,600,000	120	170M5417	170M5467	170M5517	170M5567
3	690 V a.c. (IEC) 700 V a.c. (UL)	1250	365,000	2,400,000	130	170M5418	170M5468	170M5518	170M5568	
		500	14,000	95,000	95	170M6408	170M6458	170M6508	170M6558	
		550	19,500	135,000	100	170M6409	170M6459	170M6509	170M6559	
		630	31,000	210,000	105	170M6410	170M6460	170M6510	170M6560	
		700	44,500	300,000	110	170M6411	170M6461	170M6511	170M6561	
		800	69,500	465,000	115	170M6412	170M6462	170M6512	170M6562	
		900	100,000	670,000	120	170M6413	170M6463	170M6513	170M6563	
		1000	140,000	945,000	125	170M6414	170M6464	170M6514	170M6564	
		1100	190,000	1,300,000	130	170M6415	170M6465	170M6515	170M6565	
		1250	290,000	1,950,000	140	170M6416	170M6466	170M6516	170M6566	
		1400	370,000	2,450,000	155	170M6417	170M6467	170M6517	170M6567	
		1500	460,000	3,100,000	160	170M6418	170M6468	170M6518	170M6568	
		1600	580,000	3,900,000	160	170M6419	170M6469	170M6519	170M6569	
		600 V a.c. (IEC)/500 V a.c. (UL)	1800	880,000	5,250,000	165	170M6420	170M6470	170M6520	170M6570
		550 V a.c. (IEC)/500 V a.c. (UL)	2000	1,150,000	6,350,000	175	170M6421	170M6471	170M6521	170M6571

Data sheets: 170K6314 (Size 1*), 170K6316 (Size 1), 170K6318 (Size 2), 170K6320 (Size 3)

Size 1* to 3, Flush end contact, 170M

1000 V a.c. (IEC and UL), 50 to 1400 A

Specifications

Description

Square body flush end contact high speed fuse links, for the protection of DC common bus, DC drives, power converters/rectifiers and reduced rated voltage starters.

Technical data

Rated voltage:

- 1000 V a.c. (IEC, 50-1250 A),
- 1000 V a.c. (UL, 250-1100 A)
- 900 V a.c. (IEC, 1400 A)

Rated current: 50-1400 A

Breaking capacity: 125kA RMS Sym.

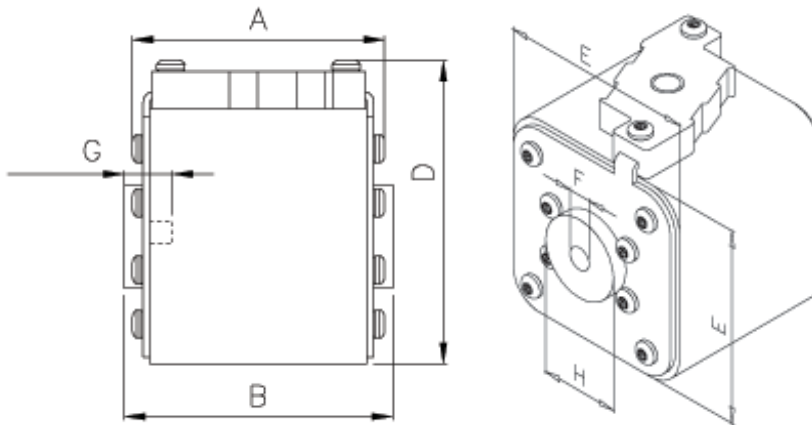
Operating class: aR

Standards / Agency information

CE, Designed and tested to IEC 60269 Part 4, UL Recognised for size 2 and 3 (only up to 1100 A).



Dimensions - mm



Type -BKN/- and -GKN/-

Size	Type	A	B	D (max)	E	F	F' (in)	G (min)	H
1*	BKN/75 + GKN/75	72.5	74	61	43	M8	5/16" 18 UNC-2B	5	17.5
1	BKN/75 + GKN/75	73.2	74	69	52	M8	5/16" 18 UNC-2B	8	20
2	BKN/75 + GKN/75	73.2	74.4	77	59	M10	3/8" 16 UNC-2B	10	24.5
3	BKN/75 + GKN/75	73.3	75.4	92	74	M12	1/2" 13 UNC-2B	10	30
3	BKN/90 + GKN/90	80.3	91.4	92	74	M12	1/2" 13 UNC-2B	10	30

¹ Valid for fuses type -GKN/-.

Size 1* to 3, Flush end contact, 170M
1000 V a.c. (IEC and UL), 50 to 1400 A

Fuse link body size	Rated voltage	Rated current (Amps)	I ² t (A ² Sec)		Watts loss (W)	Catalogue numbers	
			Pre-arcing	Clearing at rated voltage		-BKN/- Type K indicator for micro	-GKN/- Type K indicator for micro
1*	1000 V a.c. (IEC)	50	135	815	20	170M3951	170M3921
		63	215	1300	25	170M3952	170M3922
		80	460	2750	30	170M3953	170M3923
		100	860	5100	35	170M3954	170M3924
		125	1450	8600	40	170M3955	170M3925
		160	2850	17,500	45	170M3956	170M3926
		200	4950	29,500	50	170M3957	170M3927
		250	9550	57,000	55	170M3958	170M3928
		315	21,500	130,000	65	170M3959	170M3929
		350	29,000	175,000	70	170M3960	170M3930
1	1000 V a.c. (IEC)	400	42,000	250,000	75	170M3961	170M3931
		160	2200	13,500	40	170M4951	170M4921
		200	4150	24,500	45	170M4952	170M4922
		250	7750	46,000	52	170M4953	170M4923
		315	16,500	98,500	60	170M4954	170M4924
		350	21,500	130,000	65	170M4955	170M4925
		400	31,000	185,000	70	170M4956	170M4926
		450	44,500	265,000	80	170M4957	170M4927
		500	63,000	375,000	85	170M4958	170M4928
		550	84,500	500,000	90	170M4959	170M4929
2	1000 V a.c. (IEC/UL)	630	125,000	755,000	98	170M4960	170M4930
		250	6750	40,000	65	170M5952	170M5922
		315	13,500	81,500	75	170M5953	170M5923
		350	16,500	99,000	80	170M5954	170M5924
		400	26,000	155,000	85	170M5955	170M5925
		450	35,500	210,000	90	170M5956	170M5926
		500	49,500	295,000	95	170M5957	170M5927
		550	66,000	390,000	100	170M5958	170M5928
		630	93,500	555,000	110	170M5959	170M5929
		700	130,000	770,000	115	170M5960	170M5930
3	1000 V a.c. (IEC/UL)	800	195,000	1,200,000	125	170M5961	170M5931
		315	9200	54,500	90	170M8600	170M8500
		350	13,000	77,500	95	170M8601	170M8501
		400	19,000	115,000	105	170M8602	170M8502
		450	27,000	160,000	107	170M8603	170M8503
		500	37,500	225,000	110	170M8604	170M8504
		550	52,000	310,000	115	170M8605	170M8505
		630	82,500	490,000	120	170M8606	170M8506
		700	115,000	700,000	125	170M8607	170M8507
		800	170,000	1,050,000	135	170M8608	170M8508
3	1000 V a.c. (IEC)	900	250,000	1,500,000	145	170M8609	170M8509
		1000	340,000	2,050,000	150	170M8610	170M8510
		1100	460,000	2,750,000	155	170M8611	170M8511
		1250	575,000	3,400,000	175	170M8612 ¹	170M8512 ¹
		1400	795,000	4,200,000	185	170M8613 ¹	170M8513 ¹

¹ Overall length is 90 mm, for all other fuse links the overall length is 75 mm.

Size 1* to 3, Flush end contact, 170M

1250 V a.c. (IEC), 1300 V a.c. (UL), 50 to 1400 A

Specifications

Description

Square body flush end contact high speed fuse links, for the protection of DC common bus, DC drives, power converters/rectifiers and reduced rated voltage starters.

Technical data

Rated voltage:

- 1250 V a.c. (IEC)
- 1300 V a.c. (UL)

Rated current: 50-1400 A

Breaking capacity: 100 kA RMS Sym.

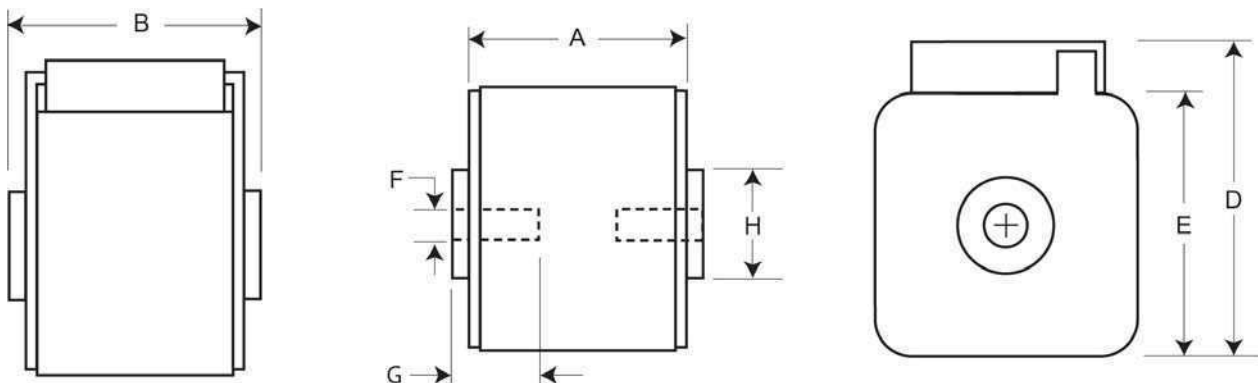
Operating class: aR

Standards / Agency information

CE, Designed and tested to IEC 60269 Part 4. Consult Eaton's Bussmann business for UL Recognition/CSA Component Acceptance Status.



Dimensions - mm



Type -BKN/- and -GKN/-

Size	Type	A	B	D	E	F	F ¹ (in)	Min G	H
1*	BKN + GKN/75	74	75	59	45	M8	5/16" -18 UNC-2B	5	Ø17
1*	BKN/80	80	81	59	45	M8		5	Ø17
1	BKN + GKN/75	74	75	69	53	M8	5/16" -18 UNC-2B	8	Ø20
1	BKN/80	80	81	69	53	M8		8	Ø20
2	BKN + GKN/75	74	75	77	61	M10	3/8" -16 UNC-2B	10	Ø24
2	BKN/80	80	81	77	61	M10		10	Ø24
2	BKN + GKN/90	80	91	77	61	M10	3/8" -16 UNC-2B	10	Ø24
3	BKN + GKN/75	74	76	92	76	M12	1/2" -13 UNC-2B	10	Ø30
3	BKN/80	81	83	92	76	M12		10	Ø30
3	BKN + GKN/90	81	91	92	76	M12	1/2" -13 UNC-2B	10	Ø30

¹ Valid for fuses type -GKN/-.

Size 1* to 3, Flush end contact, 170M

1250 V a.c. (IEC), 1300 V a.c. (UL), 50 to 1400 A

Fuse link body size	Rated voltage	Rated current (Amps)	I ² t (A ² Sec)			Watts loss (W)	Catalogue numbers				
			Pre-arcing	Clearing at 1000 V a.c.	Clearing at 1250 V a.c.		-BKN/75 Type K indicator for micro	-BKN/80 Type K indicator for micro	-BKN/90 Type K Indicator for micro	-GKN/75 Type K Indicator for micro	-GKN/90 Type K Indicator for micro
1*	1250 V a.c. (IEC) 1300 V a.c. (UL)	50	135	815	1100	15	170M3388	170M3438		170M3488	
		63	215	1300	1750	20	170M3389	170M3439		170M3489	
		80	420	2500	3350	25	170M3390	170M3440		170M3490	
		100	750	4450	5950	30	170M3391	170M3441		170M3491	
		125	1450	9000	11,500	35	170M3392	170M3442		170M3492	
		160	2600	16,000	21,000	40	170M3393	170M3443		170M3493	
		200	5150	31,000	41,000	45	170M3394	170M3444		170M3494	
		250	9200	54,500	73,000	55	170M3395	170M3445		170M3495	
		315	18,500	115,000	150,000	60	170M3396	170M3446		170M3496	
		350	27,000	165,000	220,000	65	170M3397	170M3447		170M3497	
1	1250 V a.c. (IEC) 1300 V a.c. (UL)	400	53,000	265,000	335,000	70		170M3448			
		160	1900	11,500	15,500	45	170M4388	170M4438		170M4488	
		200	3800	22,500	30,000	50	170M4389	170M4439		170M4489	
		250	7750	46,000	61,500	60	170M4390	170M4440		170M4490	
		315	15,000	90,000	120,000	65	170M4391	170M4441		170M4491	
		350	20,000	125,000	165,000	70	170M4392	170M4442		170M4492	
		400	29,500	175,000	235,000	75	170M4393	170M4443		170M4493	
		450	42,000	250,000	335,000	80	170M4394	170M4444		170M4494	
		500	69,500	340,000	435,000	85	170M4395 ⁴	170M4445		170M4495 ⁴	
		550	95,000	465,000	590,000	95	170M4396 ⁵	170M4446		170M4496 ⁵	
2	1250 V a.c. (IEC) 1300 V a.c. (UL)	630	130,000	660,000	N/A	110	170M4397 ⁵	170M4447 ⁴		170M4497 ⁵	
		250	6500	38,500	51,500	65	170M5388	170M5438		170M5588	
		280	9350	55,500	74,500	70	170M5389	170M5439		170M5589	
		315	13,000	77,500	105,000	75	170M5390	170M5440		170M5590	
		350	16,500	97,500	135,000	80	170M5391	170M5441		170M5591	
		400	23,000	140,000	180,000	85	170M5392	170M5442		170M5592	
		450	34,000	205,000	270,000	90	170M5393	170M5443		170M5593	
		500	48,000	285,000	380,000	95	170M5394	170M5444	170M5494	170M5594	170M5644
		550	62,000	370,000	495,000	100	170M5395	170M5445	170M5495	170M5595	170M5645
		630	115,000	575,000	730,000	120	170M5396 ⁴	170M5446	170M5496	170M5596 ⁴	170M5646
3	1250 V a.c. (IEC) 1300 V a.c. (UL)	700	160,000	795,000	1,050,000	125	170M5397 ⁵	170M5447 ¹	170M5497	170M5597 ⁵	170M5647
		800	245,000	1,200,000	1,550,000	130	170M5398 ⁵	170M5448 ²	170M5498	170M5598 ⁵	170M5648
		900	360,000	1,750,000	N/A	135			170M5499 ³		170M5649 ³
		1000	480,000	2,350,000	N/A	145			170M5500 ³		170M5650 ³
		315	9500	58,000	77,500	85	170M6338	170M6538		170M6588	
		350	13,500	81,500	110,000	90	170M6339	170M6539		170M6589	
		400	19,500	120,000	160,000	95	170M6340	170M6540		170M6590	
		450	31,000	185,000	245,000	100	170M6341	170M6541		170M6591	
		500	39,000	235,000	310,000	105	170M6342	170M6542		170M6592	
		550	55,000	325,000	435,000	110	170M6343	170M6543		170M6593	
3	1250 V a.c. (IEC) 1300 V a.c. (UL)	630	83,500	495,000	665,000	115	170M6344	170M6544	170M6494	170M6594	170M6644
		700	115,000	705,000	940,000	120	170M6345	170M6545	170M6495	170M6595	170M6645
		800	205,000	995,000	1,300,000	125	170M6346 ⁴	170M6546	170M6496	170M6596 ⁴	170M6646
		900	305,000	1,500,000	1,900,000	130	170M6347 ⁵	170M6547 ¹	170M6497	170M6597 ⁵	170M6647
		1000	450,000	2,150,000	2,750,000	135	170M6348 ⁵	170M6548 ¹	170M6498	170M6598 ⁵	170M6648
		1100	575,000	2,800,000	3,600,000	160	170M6349 ⁵	170M6549 ²	170M6499	170M6599 ⁵	170M6649
		1250	810,000	3,950,000	N/A	170			170M6500 ³		170M6650 ⁴
		1400	1,250,000	6,000,000	N/A	175			170M6501 ³		170M6651 ⁴

¹ Rated voltage 1100 V a.c. (IEC), 1000 V a.c. (UL).

² Rated voltage 1000 V a.c. (IEC and UL).

³ Rated voltage 1100 V a.c. (IEC and UL).

⁴ Rated voltage (IEC) 1100 V a.c.

⁵ Rated voltage (IEC) 1000 V a.c.

Data sheets: 170K6630 (Size 1*), 170K6632 (Size 1), 170K6634 (Size 2), 170K6636 (Size 3)

Size 4, Flush end contact, 170M

690 V a.c. (IEC), 700 V a.c. (UL), 1000 to 4000 A

Specifications

Description

Square body, flush end contact, high speed fuse links, for the protection of power rectifiers.

Technical data

Rated voltage:

- 690 V a.c. (IEC)/700 V a.c. (UL) 1000-3500 A
- 600 V a.c. (IEC and UL, 4000 A)

Rated current: 1000-4000 A

Breaking capacity: 200 kA RMS Sym.

Operating class: aR

Standards / Agency information

CE, Designed and tested to IEC 60269 Part 4, UL Recognised.



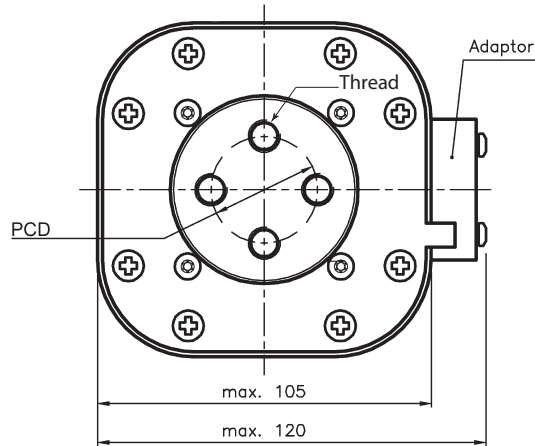
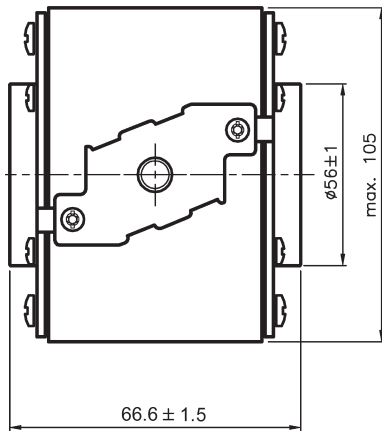
Fuse link body size	Rated voltage	Rated current (Amps)	I ² t (A ² Sec)		Watts loss (W)	Catalogue numbers			
			Pre-arcing	Clearing at 660 V a.c.		-B/65 visual indicator	-BKN/65 Type K indicator	-G/65 visual indicator	-GKN/65 Type K indicator
4	690 V a.c. (IEC) 700 V a.c. (UL)	1000	76,000	505,000	175	170M7058	170M7078	170M7098	170M7118
		1250	145,000	965,000	195	170M7059	170M7079	170M7099	170M7119
		1400	205,000	1,400,000	205	170M7060	170M7080	170M7100	170M7120
		1600	305,000	2,050,000	220	170M7061	170M7081	170M7101	170M7121
		2000	600,000	3,950,000	245	170M7062	170M7082	170M7102	170M7122
		2500	1,200,000	7,800,000	275	170M7063	170M7083	170M7103	170M7123
		3000	2,000,000	13,500,000	305	170M7064	170M7084	170M7104	170M7124
	3500	3,250,000	22,000,000 ¹	325	170M7065	170M7085	170M7105	170M7125	
	600 V a.c. (IEC & UL)	4000	4,700,000	28,000,000 ¹	355	170M7066	170M7086	170M7106	170M7126

¹ Clearing at 600 V a.c.

Size 4, Flush end contact, 170M

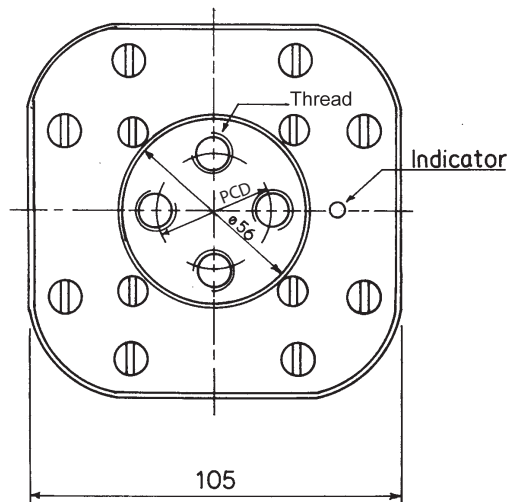
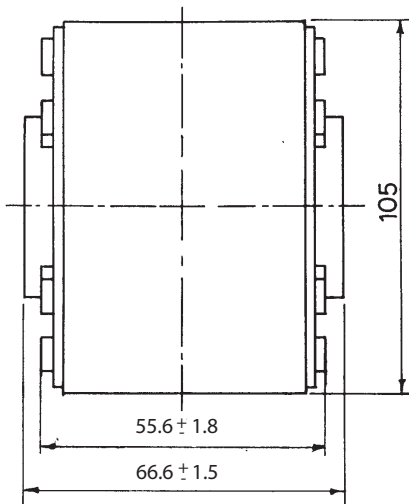
690 V a.c. (IEC), 700 V a.c. (UL), 1000 to 4000 A

Dimensions - mm



Type -BKN/65, -GKN/65

Type	PCD	Thread
-GKN/65	Ø 38.1	UNC ½" - 13
-BKN/65	Ø 33	M-10



Type -B/65, -G/65

Type	PCD	Thread
-G/65	Ø 38.1	UNC ½" - 13
-B/65	Ø 33	M-10

Size 4, Flush end contact, 170M

1000 V a.c. (IEC), 1000 to 3000 A

Specifications

Description

Square body, flush end contact, high speed fuse links, for the protection of power rectifiers.

Technical data

Rated voltage: 1000 V a.c. (IEC)
 Rated current: 1000-3000 A
 Breaking capacity: 200 kA RMS Sym.
 Operating class: aR

Standards / Agency information

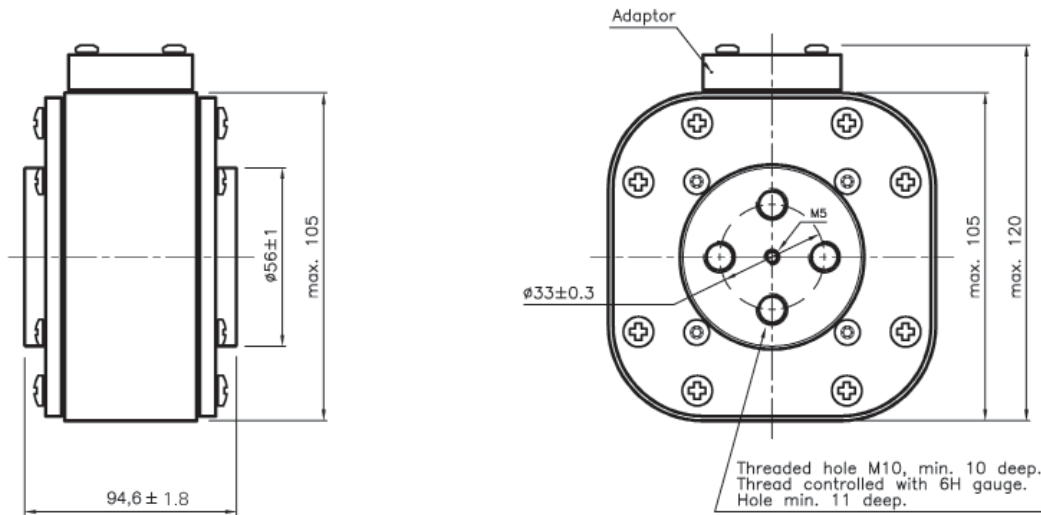
CE, Designed and tested to IEC 60269 Part 4.



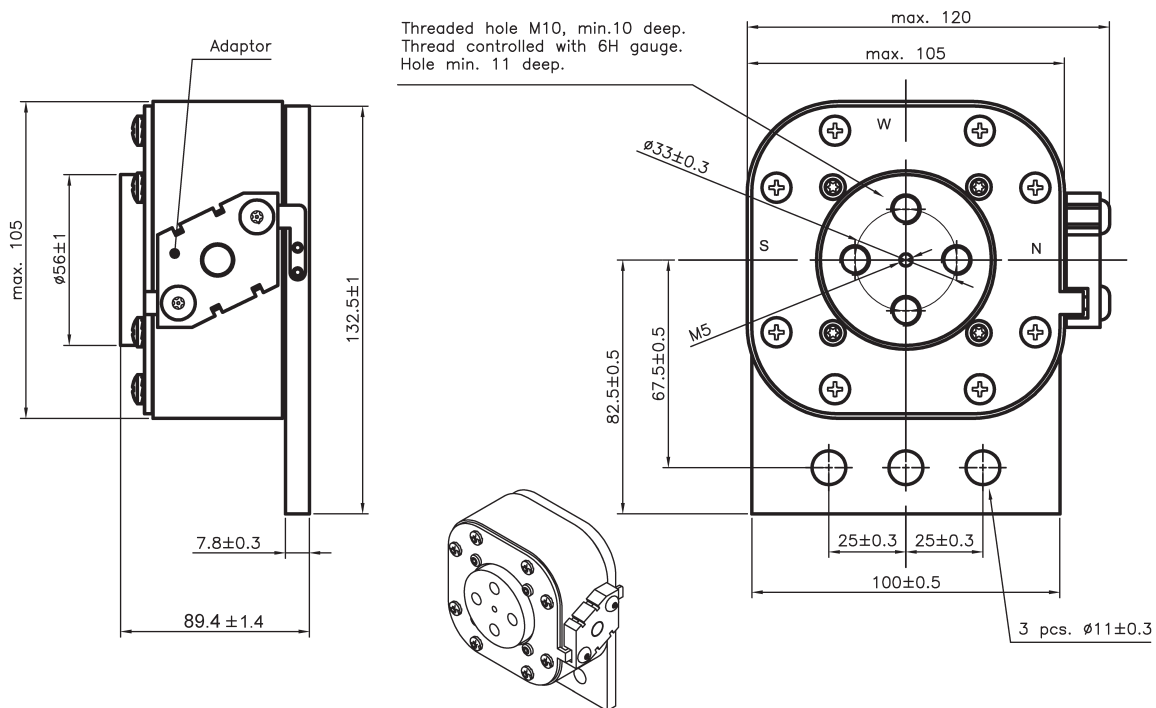
Fuse link body size	Rated voltage	Rated current (Amps)	I²t (A² Sec)		Watts loss (W)	Catalogue numbers	
			Pre-arcing	Clearing at 1000 V a.c.		-BKN/95 Type K indicator	-SBKN/90 Type K indicator
4	1000 V a.c.	1000	180,000	1,100,000	195		170M7542
		1100	250,000	1,500,000	200		170M7031
		1500	600,000	3,600,000	250	170M7636	170M7548
		1700	850,000	5,000,000	260	170M7639	170M7034
		1800	1,000,000	5,950,000	265	170M7661	170M7053
		2000	1,450,000	8,600,000	270	170M7963	170M7544
		2200	2,000,000	12,000,000	280	170M7090	170M7035
		2500	3,000,000	18,000,000	295	170M7640	170M7036
		2700	3,700,000	22,000,000	310	170M7658	170M7037
		3000	4,700,000	28,000,000	380	170M7962	170M7156

Size 4, Flush end contact, 170M
 1000 V a.c. (IEC), 1000 to 3000 A

Dimensions - mm



Type 4BKN/95



Type 4SBKN/90

Data sheets: 170K8520, 170K8520-R

Size 4, Flush end contact, 170M

1250 V a.c. (IEC), 800 to 2500 A

Specifications

Description

Square body, flush end contact, high speed fuse links, for the protection of power rectifiers.

Technical data

Rated voltage:

- 1250 V a.c. (IEC)
- 1200 V d.c. (UL)

Rated current: 800-2500 A

Breaking capacity:

- 200 kA RMS Sym.
- 85 kA d.c. (2ms TC)

Operating class: aR

Standards / Agency information

CE, Designed and tested to IEC 60269 Part 4, UL

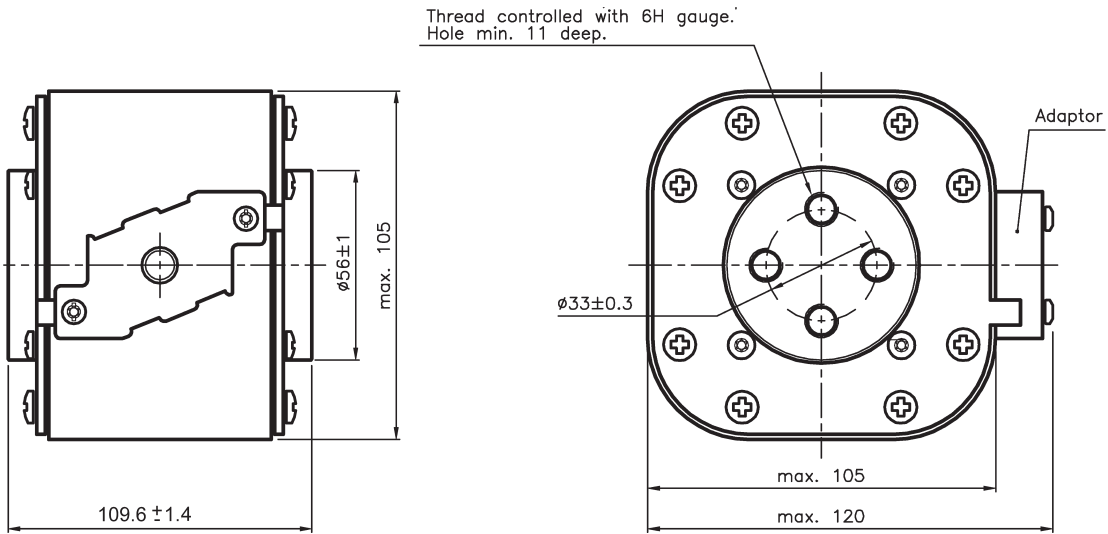


Fuse link body size	Rated voltage	Rated current (Amps)	I ² t (A ² Sec)		Watts loss (W)	Catalogue numbers	
			Pre-arcing	Clearing at 1250 V a.c.		-BKN/105 Type K indicator	-SBKN/105 Type K indicator
4	1250 V a.c. (IEC) 1200 V d.c. (UL)	800	145,000	905,000	195	170M7802	-
		1000	275,000	1,750,000	220	170M7803	-
		1200	495,000	3,100,000	240	170M7804	-
		1400	800,000	5,000,000	250	170M7217	170M7512
		1500	1,000,000	6,200,000	260	170M7597	170M7510
		1700	1,400,000	8,700,000	275	170M7676	170M7511
		1800	1,700,000	11,000,000	280	170M7532	170M7976
		2000	2,300,000	14,500,000	305	170M7633	170M7513
		2200	3,100,000	19,500,000	315	170M7592	170M7546
		2400	4,000,000	25,000,000	330	170M7107	170M7516
		2500	4,500,000	28,000,000	340	170M7595	170M7978

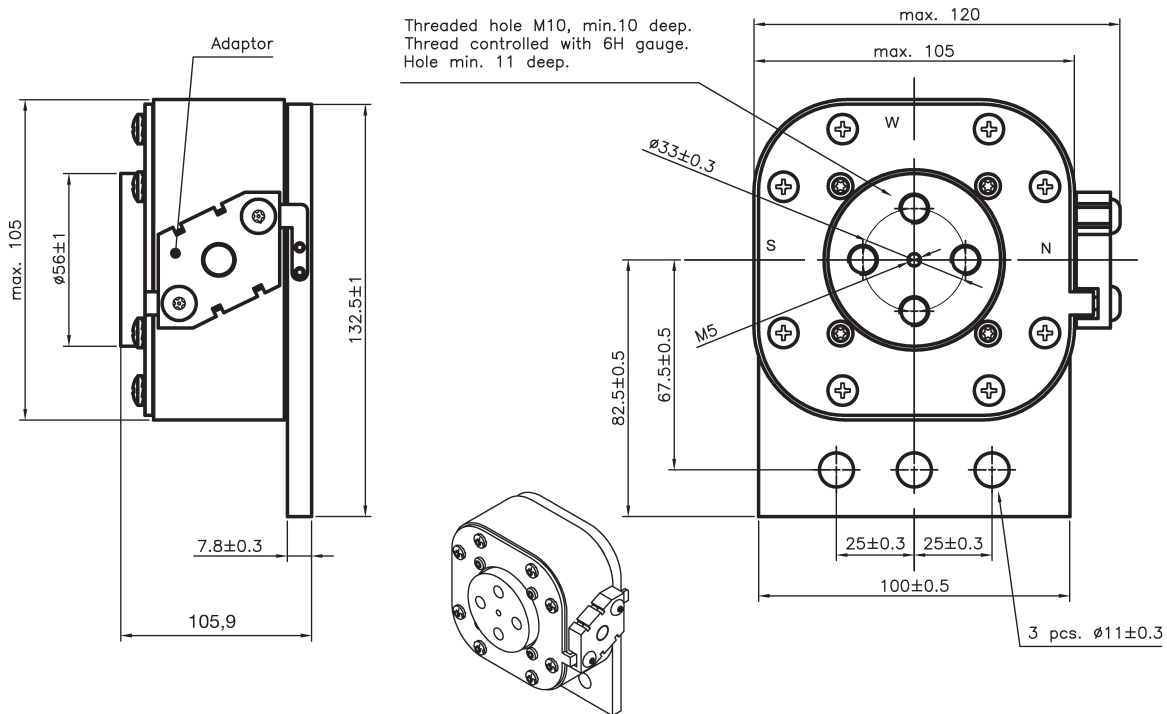
Data sheets: 170K6640 (1400-2400 A), 170K6642 (800-1200, 2500 A)

Size 4, Flush end contact, 170M
 1250 V a.c. (IEC), 800 to 2500 A

Dimensions - mm



Type 4BKN/105



Type 4SBKN/105

Data sheets: 170K6640 (1400-2400 A), 170K6642 (800-1200, 2500 A)

Size 23, Flush end contact, 170M

660 V a.c. (IEC), 1000 to 4000 A

Specifications

Description

Square body, flush end contact, high speed fuse links, for the protection of power rectifiers.

Technical data

Rated voltage:

- 660 V a.c. (IEC, 1000-3000 A)
- 600 V a.c. (IEC, 3500 A)
- 550 V a.c. (IEC, 4000 A)

Rated current: 1000-4000 A

Breaking capacity: 100 kA RMS Sym.

Operating class: aR



Standards / Agency information

CE, Designed and tested to IEC 60269 Part 4.

Fuse link body size	Rated voltage	Rated current (Amps)	I ² t (A ² Sec)		Watts loss (W)	Catalogue numbers					
			Pre-arcing	Clearing at 660 V a.c.		-BU/55	-BKE/55 Type K indicator	-BKN/55 Type K indicator	-GU/55	-GKE/55 Type K Indicator	-GKN/55 Type K Indicator
23	660 V a.c. (IEC)	1000	79,000	530,000	170	170M6858	170M6898	170M6878	170M6918	170M6958	170M6938
		1100	95,000	635,000	185	170M6859	170M6899	170M6879	170M6919	170M6959	170M6939
		1250	155,000	1,050,000	190	170M6860	170M6900	170M6880	170M6920	170M6960	170M6940
		1400	200,000	1,350,000	210	170M6861	170M6901	170M6881	170M6921	170M6961	170M6941
		1500	240,000	1,650,000	215	170M6862	170M6902	170M6882	170M6922	170M6962	170M6942
		1600	315,000	2,150,000	220	170M6863	170M6903	170M6883	170M6923	170M6963	170M6943
		1800	450,000	3,050,000	230	170M6864	170M6904	170M6884	170M6924	170M6964	170M6944
		2000	625,000	4,200,000	240	170M6865	170M6905	170M6885	170M6925	170M6965	170M6945
		2200	805,000	5,400,000	255	170M6866	170M6906	170M6886	170M6926	170M6966	170M6946
		2500	1,250,000	8,350,000	265	170M6867	170M6907	170M6887	170M6927	170M6967	170M6947
		3000	2,250,000	15,500,000	285	170M6868	170M6908	170M6888	170M6928	170M6968	170M6948
		600 V a.c. (IEC)	3500	3,450,000	21,000,000 ¹	315	170M6869	170M6909	170M6889	170M6929	170M6969
550 V a.c. (IEC)	4000	5,000,000	27,500,000 ²	340	170M6870	170M6910	170M6890	170M6930	170M6970	170M6950	

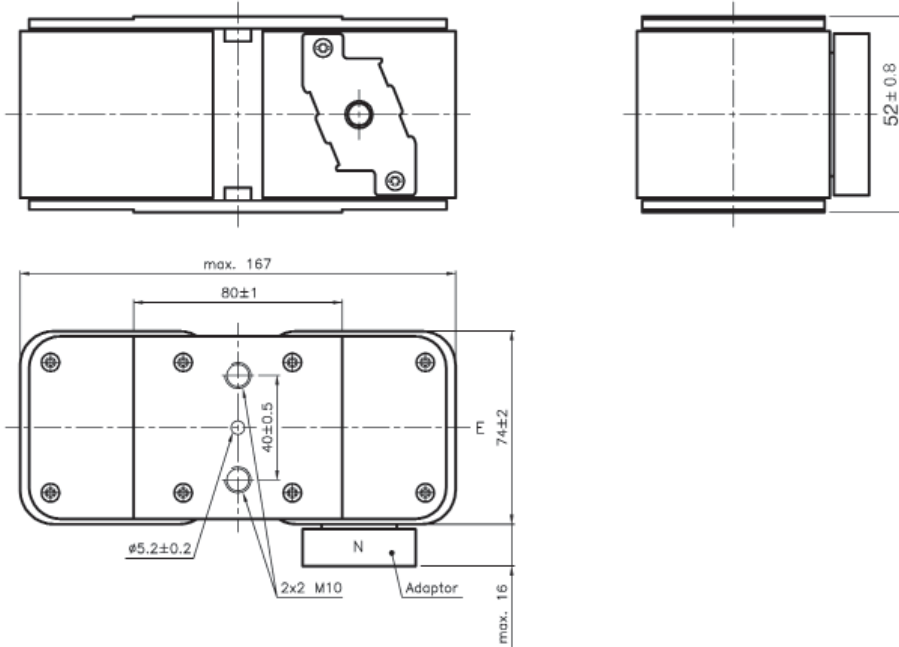
¹ Clearing at 600 V a.c.

² Clearing at 550 V a.c.

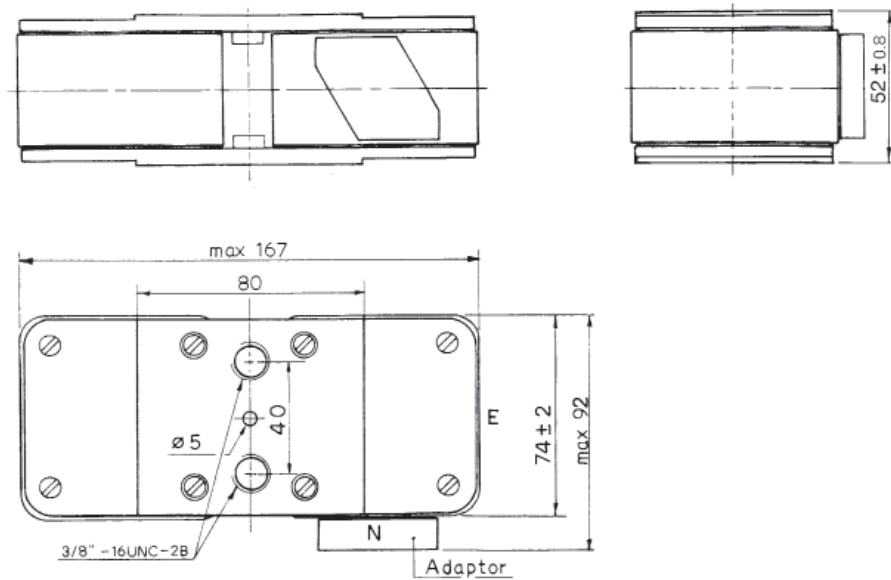
When using these fuse links, please consult Eaton's Bussmann business for application assistance at bulehighspeedtechnical@eaton.com.

Size 23, Flush end contact, 170M
 660 V a.c. (IEC), 1000 to 4000 A

Dimensions - mm



Type -BU/55, -BKE/55, -BKN/55



Type -GU/55, -GKE/55, -GKN/55

When using these fuse links, please consult Eaton's Bussmann business for application assistance at bulehighspeedtechnical@eaton.com.

Data sheet: 170K6326

Size 23, Flush end contact, 170M

1250 V a.c. (IEC), 630 to 2800 A

Specifications

Description

Square body, flush end contact, high speed fuse links, for the protection of power rectifiers.

Technical data

Rated voltage:

- 1250 V a.c. (IEC 630 to 2200 A)
- 1100 V a.c. (IEC 2500 and 2800 A)

Rated current: 630-2800 A

Breaking capacity: 125kA RMS Sym.

Operating class: aR

Standards / Agency information

CE, Designed and tested to IEC 60269 Part 4.

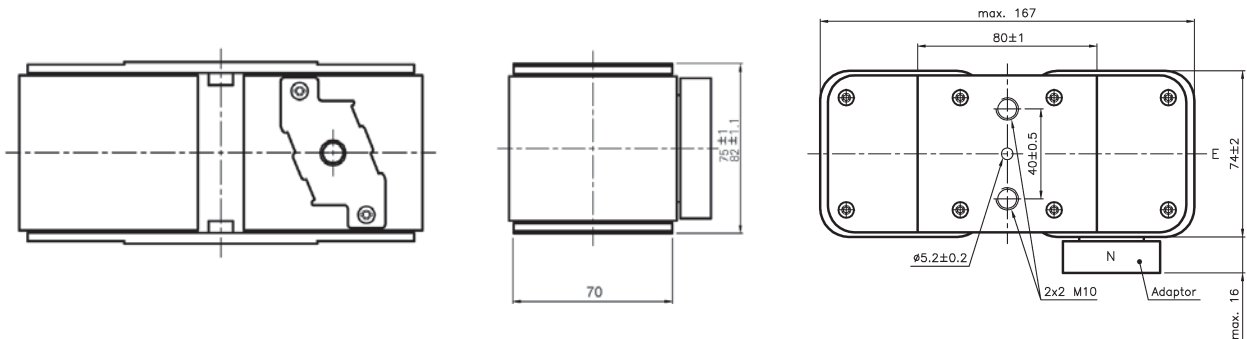


Fuse link body size	Rated voltage	Rated current (Amps)	I ² t (A ² Sec)			Catalogue numbers						
			Pre-arcing	Clearing at 1250 V a.c.	Watts loss (W)	-BU/75 Visual indicator	-BKE/75 Type K indicator	-BKN/75 Type K indicator	-BU/80 Visual indicator	-BKE/80 Type K Indicator	-BKN/80 Type K Indicator	
23	1250 V a.c. (IEC)	630	38,000	310,000	170	170M6775	170M6795	170M6785				
		700	54,000	440,000	180	170M6776	170M6796	170M6786				
		800	78,000	640,000	190	170M6777	170M6797	170M6787				
		900	120,000	980,000	200	170M6805	170M6807	170M6806				
		1000	155,000	1,250,000	210	170M6778	170M6798	170M6788				
		1100	220,000	1,750,000	220	170M6779	170M6799	170M6789				
		1250	330,000	2,700,000	230	170M6780	170M6800	170M6790				
		1400	460,000	3,800,000	240	170M6781	170M6801	170M6791				
		1600	820,000	5,200,000	250	170M6782	170M6802	170M6792				
		1800	1,200,000	7,600,000	260	170M6783	170M6803	170M6793				
		2000	1,800,000	11,000,000	270				170M6784	170M6804	170M6794	
		2200	2,300,000	14,500,000	280				170M6815	170M6833	170M6827	
		1100 V a.c. (IEC)	2500	3,200,000	16,000,000 ¹	290				170M6816	170M6834	170M6828
			2800	5,000,000	24,000,000 ¹	300				170M6817	170M6835	170M6829

¹ Clearing at 1000 V

When using these fuse links, please consult Eaton's Bussmann business for application assistance at bulehighspeedtechnical@eaton.com.

Dimensions - mm



Data sheet: 170K6638

Size 24, Flush end contact, 170M

690 V a.c. (IEC), 2000 to 7500 A

Specifications

Description

Square body, flush end contact, high speed fuse links, for the protection of power rectifiers.

Technical data

Rated voltage:

- 690 V a.c. (IEC 2000 to 7000 A)
- 500 V a.c. (IEC 7500 A)

Rated current: 2000-7500 A

Breaking capacity: 200 kA RMS Sym.

Operating class: aR

Standards / Agency information

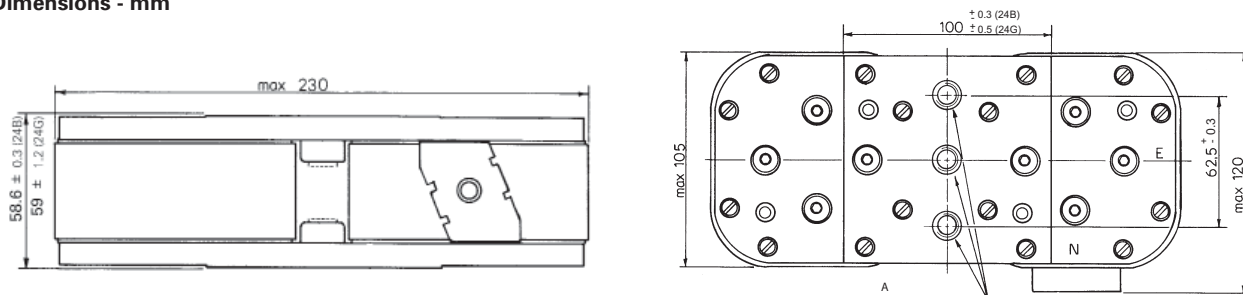
CE, Designed and tested to IEC 60269 Part 4.



Fuse link body size	Rated voltage	Rated current (Amps)	I ² t (A ² Sec)		Watts loss (W)	Catalogue numbers				
			Pre-arcing	Clearing at 660 V a.c.		-BU/60 Without indicator	-BKN/60 Type K indicator	-GU/60 Without indicator	-GKN/60 Type K indicator	
24	690 V a.c. (IEC)	2000	340,000	2,300,000	340	170M7138	170M7158	170M7198	170M7218	
		2500	650,000	4,350,000	390	170M7139	170M7159	170M7199	170M7219	
		3000	1,100,000	7,300,000	430	170M7140	170M7160	170M7200	170M7220	
		3500	1,800,000	12,000,000	460	170M7141	170M7161	170M7201	170M7221	
		4000	2,700,000	18,000,000	490	170M7142	170M7162	170M7202	170M7222	
		4500	3,800,000	25,500,000	520	170M7143	170M7163	170M7203	170M7223	
		5000	5,450,000	36,500,000	540	170M7144	170M7164	170M7204	170M7224	
		5500	7,400,000	49,500,000	560	170M7145	170M7165	170M7205	170M7225	
		6000	9,600,000	64,000,000	580	170M7146	170M7166	170M7206	170M7226	
		6500	12,500,000	83,000,000	600	170M7147	170M7167	170M7207	170M7227	
		7000	15,000,000	100,000,000	630	170M7148	170M7168	170M7208	170M7228	
		500 V a.c. (IEC)	7500	18,500,000	93,000,000 ¹	660	170M7149	170M7169	170M7209	170M7229

¹ Clearing at 500 V a.c.

Dimensions - mm



Size	Type	A
24	BKN	2x3 M12
24	GKN	2x3½" -13 UNC-2B

When using these fuse links, please consult Eaton's Bussmann business for application assistance at bulehighspeedtechnical@eaton.com.

Data sheet: 170K6332

Size 24, Flush end contact, 170M

1000 V a.c. (IEC), 2000 to 5000 A

Specifications

Description

Square body, flush end contact, high speed fuse links, for the protection of power rectifiers.

Technical data

Rated voltage: 1000 V a.c. (IEC)
 Rated current: 2000-5000 A
 Breaking capacity: 300 kA RMS Sym.
 Operating class: aR

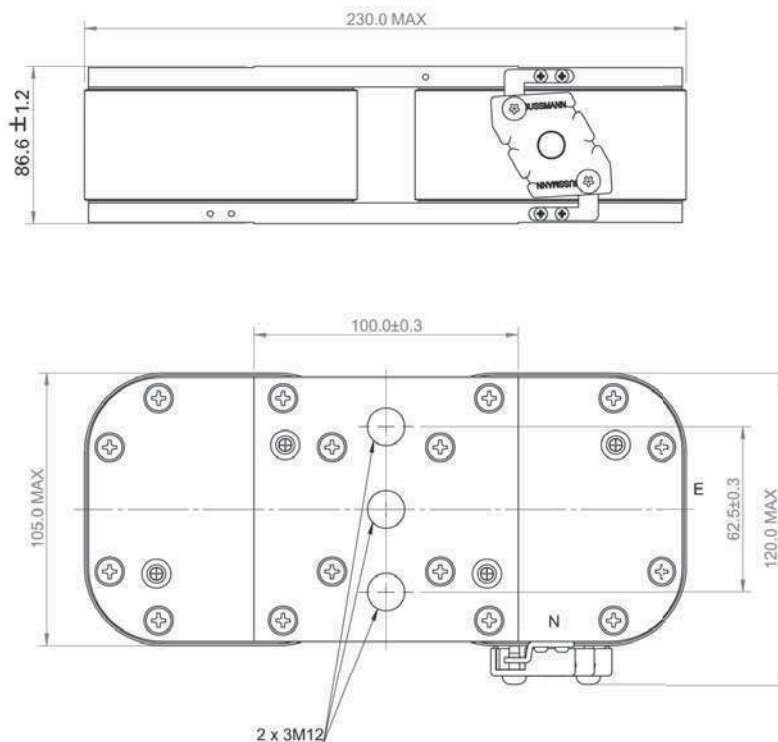


Standards / Agency information

CE, Designed and tested to IEC 60269 Part 4.

Fuse link body size	Rated voltage	Rated current (Amps)	I ² t (A ² Sec)		Watts loss (W)	Catalogue numbers
			Pre-arcing	Clearing at 1000 V a.c.		-BKN/85 Type K indicator
24	1000 V a.c. (IEC)	2000	900,000	5,350,000	345	170M7608
		3000	2,950,000	17,500,000	430	170M7680
		3200	3,300,000	20,000,000	440	170M7567
		3500	4,500,000	27,000,000	450	170M7568
		4000	6,800,000	40,000,000	475	170M7569
		4200	8,000,000	47,500,000	485	170M7498
		4500	10,000,000	59,000,000	495	170M7488
		5000	14,000,000	82,500,000	540	170M7622

Dimensions - mm



The normal position of the indicator is as shown position N, position E on request only

When using these fuse links, please consult Eaton's Bussmann business for application assistance at bulehighspeedtechnical@eaton.com.

Data sheets: 170K8514

Size 5, Flush end contact, 170M

1100-2000 V a.c. (IEC), 1800 to 5500 A

Specifications

Description

Square body flush end contact high speed fuse links, for the protection or isolation for components such as diodes, silicon controlled rectifiers (SCRs), Gate Turn-Off Thyristors (GTOs) and IGBTs. Typical application include AC and DC drives, high power rectifiers.

Technical data

Rated voltage: 1100-2000 V a.c. (IEC)
Rated current: 1800-5500 A
Breaking capacity: 300 kA RMS Sym. estimated: 197 kA tested.
Operating class: aR

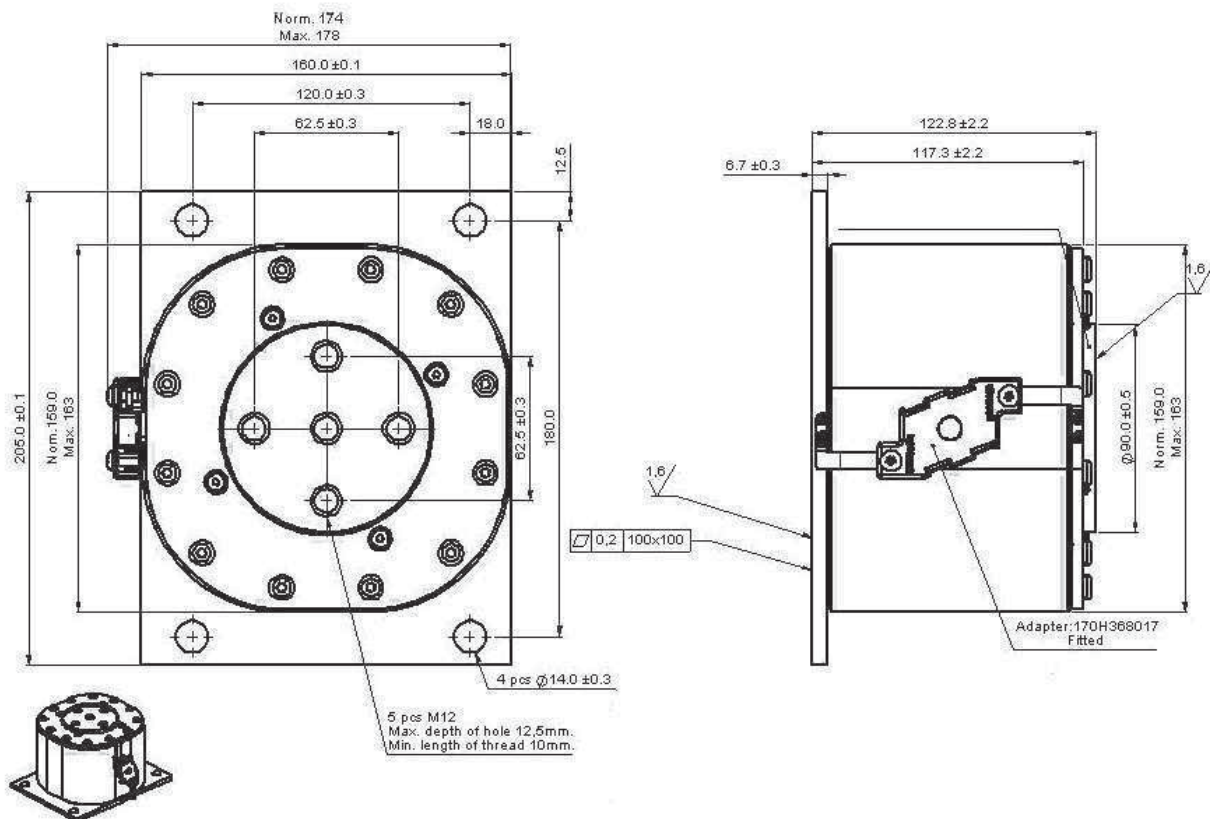
Standards / Agency information

Consult Eaton's Bussmann business bulehighspeedtechnical@eaton.com.

Catalogue Numbers

Consult Eaton's Bussmann business bulehighspeedtechnical@eaton.com.

Dimensions - mm



This dimension drawing is an example of the range of size 5 fuse links available.

Drive fuse links

DFJ

600 V a.c./450 V d.c. (UL), 1 to 600 A

Specifications

Description

Bolted tags high speed fuse links that provide maximum protection for AC and DC drives and controllers. The DFJ fuse link has the lowest I2t of any branch circuit fuse to protect power semi-conductor devices that utilise diodes, GTOs, SCRs and SSRs. The DFJ fuse links combine the performance of high speed fuse links and the convenience of Class J branch circuit fuse links, allowing the use of readily available Class J fuse blocks, holders and switches.

Technical data

Rated voltage: 600 V a.c./450 V d.c. (UL)
 Rated current: 1-600 A
 Breaking capacity: 200 kA RMS Sym., 100 kA DC
 Operating class: aR

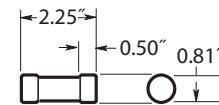
Standards / Agency information

UL Listed, Std 248-8, Class J, Guide JDDZ, File E4273 CSA Certified, C22-2 No 248.8, Class 1422-02, File 53787 meets NEC branch circuit protection.

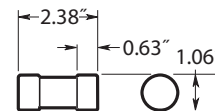


Rated voltage	Rated current (Amps)	Catalogue numbers
	1	DFJ-1
	2	DFJ-2
	3	DFJ-3
	4	DFJ-4
	5	DFJ-5
	6	DFJ-6
	8	DFJ-8
	10	DFJ-10
	12	DFJ-12
	15	DFJ-15
	20	DFJ-20
	25	DFJ-25
	30	DFJ-30
	40	DFJ-40
	45	DFJ-45
	50	DFJ-50
600 V a.c./ 450 V d.c. (UL)	60	DFJ-60
	70	DFJ-70
	80	DFJ-80
	90	DFJ-90
	100	DFJ-100
	110	DFJ-110
	125	DFJ-125
	150	DFJ-150
	175	DFJ-175
	100	DFJ-100
	225	DFJ-225
	250	DFJ-250
	300	DFJ-300
	350	DFJ-350
	400	DFJ-400
	450	DFJ-450
	500	DFJ-500
	600	DFJ-600

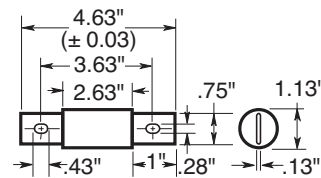
Dimensions - in



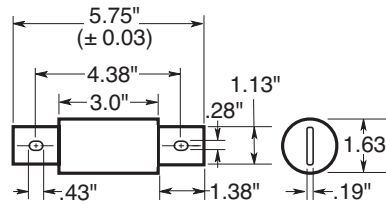
1 to 30 A



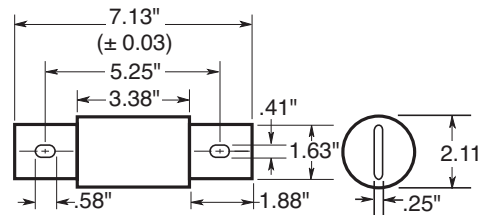
35 to 60 A



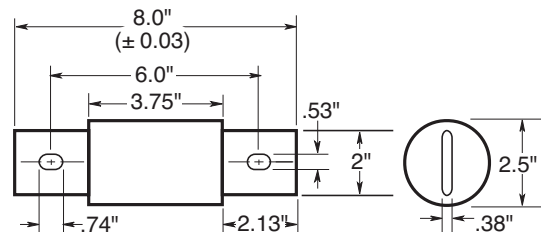
70 to 100 A



110 to 200 A



225 to 400 A



450 to 600 A

IGBT fuse links

Size 000 and 230, 170M

750 V d.c. (IEC), 800 V d.c. (UL), 25 to 630 A

Specifications

Description

Bolted tags high speed fuse links for the protection of IGBT modules, optimised for use in IGBT inverter circuits with DC link rated voltages up to 750 V d.c.. Low inductance $\leq 15\text{nH}$.

Technical data

Rated voltage:

- 750 V d.c. tested at 863V d.c. according to IEC 60269-4
- 800 V d.c. tested at 800 V d.c. according to UL 248-1

Rated current: 25-630 A

Breaking capacity: 50 kA DC (1ms tc) at 800 V d.c.

Operating class: aR

Standards / Agency information

UL DC Recognised, 800 V d.c. L/R 1 mS max.



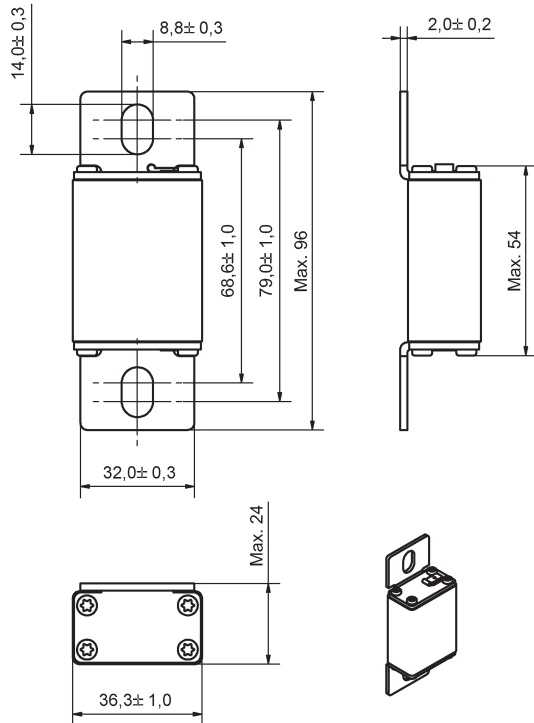
Fuse link body size	Rated voltage	Rated current (Amps)	I ² t (A ² Sec)		Watts loss (W)	Catalogue numbers	
			Pre-arcing	Clearing at 690 V a.c.		-FU/70	-FN/70
000	750 V d.c. (IEC) 800 V d.c. (UL)	25	25	135	12	170M1750	170M1730
		32	45	240	13	170M1751	170M1731
		40	75	395	14	170M1752	170M1732
		50	135	695	16	170M1753	170M1733
		63	260	1350	17	170M1754	170M1734
		80	460	2350	20	170M1755	170M1735
		100	795	4000	25	170M1756	170M1736
		125	1300	6800	29	170M1757	170M1737
		160	2550	13500	34	170M1758	170M1738
		200	4350	22000	40	170M1759	170M1739
		250	7400	37500	48	170M1760	170M1740
		315	12,500	65000	60	170M1761	170M1741
		350	17,000	88000	65	170M1762	170M1742
		230	750 V d.c. (IEC) 800 V d.c. (UL)	100	380	1950	35
125	645			3300	42	170M1771	170M1786
160	1350			7000	47	170M1772	170M1787
200	2550			13500	54	170M1773	170M1788
250	4950			25000	62	170M1774	170M1789
315	9350			47500	72	170M1775	170M1790
350	12,000			61000	78	170M1776	170M1791
400	18,500			94500	80	170M1777	170M1792
450	27,000			140000	85	170M1778	170M1793
500	37,500			190000	90	170M1779	170M1794
550	48,500			245000	95	170M1780	170M1795
630	69,500			355000	105	170M1781	170M1796

Data sheets: 170K6422 (Size 000), 170K6426 (Size 230)

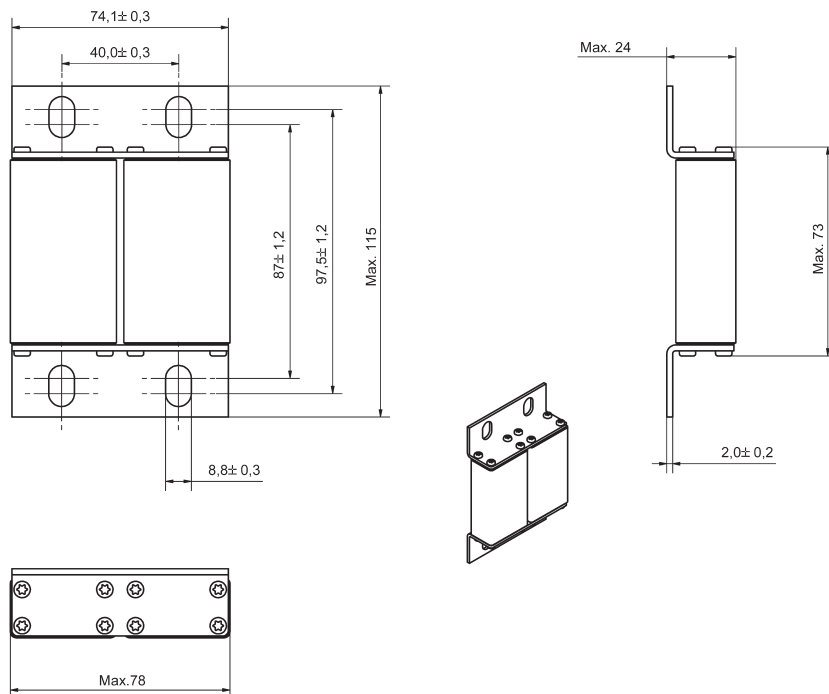
Size 000 and 230, 170M

750 V d.c. (IEC), 800 V d.c. (UL), 25 to 630 A

Dimensions - mm



Size 000



Size 230

Data sheets: 170K6422 (Size 000), 170K6426 (Size 230)

Size 000 and 230, 170M

1000 V d.c. (IEC and UL), 25 to 500 A

Specifications

Description

High speed bolted tags high speed fuse links for the protection of IGBT modules, optimised for use in IGBT inverter circuits with DC link rated voltages up to 1000 V d.c.. Low inductance $\leq 20\text{nH}$.

Technical data

Rated voltage:

- 1000 V d.c. tested at 1150 V d.c. according to IEC 60269-4
- 1000 V d.c. tested at 1000 V d.c. according to UL 248-1

Rated current: 25-500 A

Breaking capacity: 50 kA DC (1ms tc)

Operating class: aR

Standards / Agency information

UL DC Recognised, 1000 V d.c. L/R 1mS max.

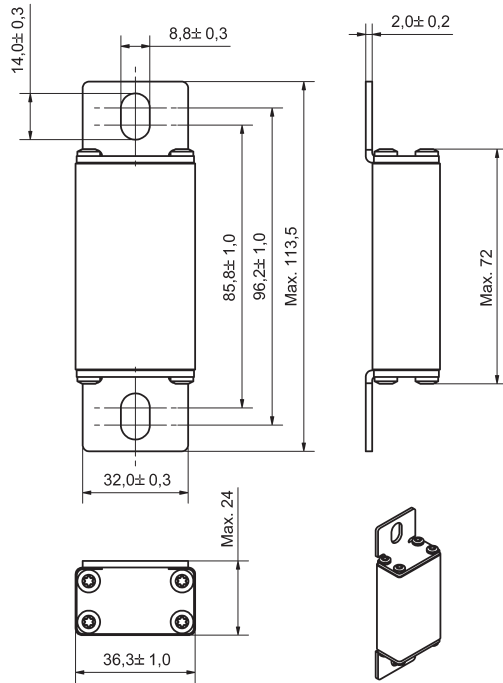


Fuse link body size	Rated voltage	Rated current (Amps)	I ² t (A ² Sec)		Watts loss (W)	Catalogue numbers	
			Pre-arcing	Clearing at 1000 V a.c.		-FU/90	-FN/90
000	1000 V d.c. (IEC/UL)	25	19	95	14	170M1802	170M1842
		32	34	170	17	170M1803	170M1843
		40	61	300	20	170M1804	170M1844
		50	135	675	21	170M1805	170M1845
		63	245	1200	22	170M1806	170M1846
		80	505	2500	27	170M1807	170M1847
		100	1050	5150	32	170M1808	170M1848
		125	1900	9500	34	170M1809	170M1849
		160	4050	20,000	37	170M1810	170M1850
		200	8500	42,000	43	170M1811	170M1851
		225	12,000	59,000	45	170M1812	170M1852
		250	16,000	79,500	48	170M1813	170M1853
		230	1000 V d.c. (IEC/UL)	100	600	3050	38
125	1200			6050	42	170M1825	170M1861
160	2550			13,000	48	170M1826	170M1862
200	4650			23,000	55	170M1827	170M1863
250	9300			45,500	62	170M1828	170M1864
315	18,500			91,500	68	170M1829	170M1865
350	24,500			125,000	75	170M1830	170M1866
400	37,500			185,000	80	170M1831	170M1867
450	52,000			260,000	85	170M1832	170M1868
500	69,500			340,000	90	170M1833	170M1869

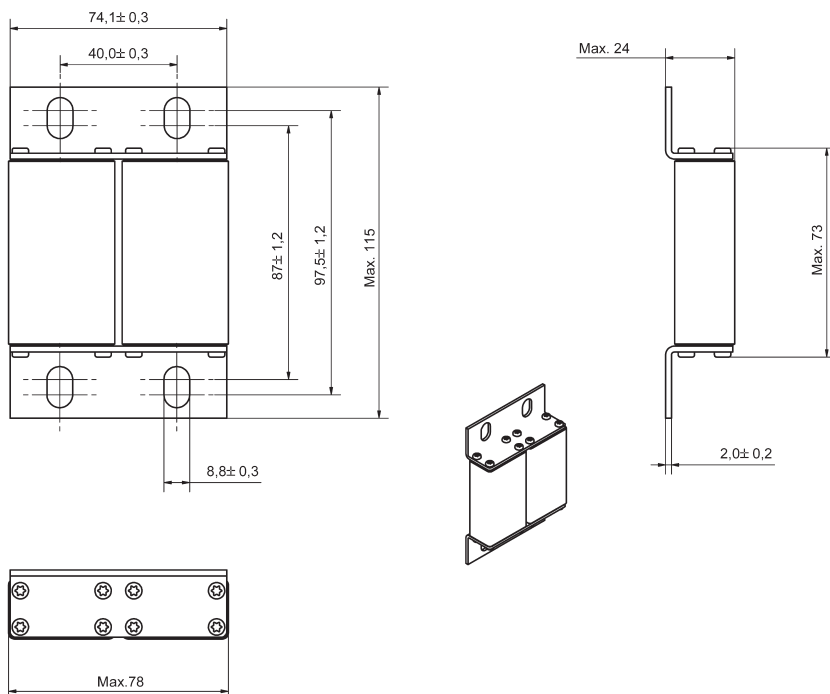
Data sheets: 170K6680 (Size 000), 170K6682 (Size 230)

Size 000 and 230, 170M
 1000 V d.c. (IEC and UL), 25 to 500 A

Dimensions - mm



Size 000



Size 230

Data sheets: 170K6680 (Size 000), 170K6682 (Size 230)

Traction fuse links

Size 1*, 3 and 23, Square body fuse links, 170M

750 V d.c. (IEC), 50 to 1600 A

Specifications

Description

Traction flush end square body high speed fuse links for superior protection of DC third rail applications up to 750 V d.c..

Technical data

Rated voltage: 750 V d.c. (IEC)

Rated current: 50-1600 A

Breaking capacity:

- Size 1*: 85 kA at 750 V d.c., L/R 95ms
80 kA at 950 V d.c., L/R 40ms
- Size 3 and 23: 110 kA at 750 V d.c., L/R 40ms

Operating class:

- aR size 1*
- gR size 3 and 23

Standards / Agency information

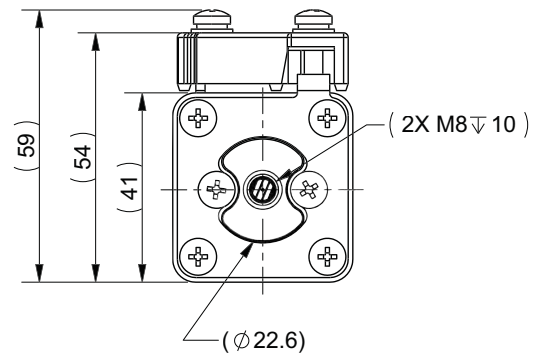
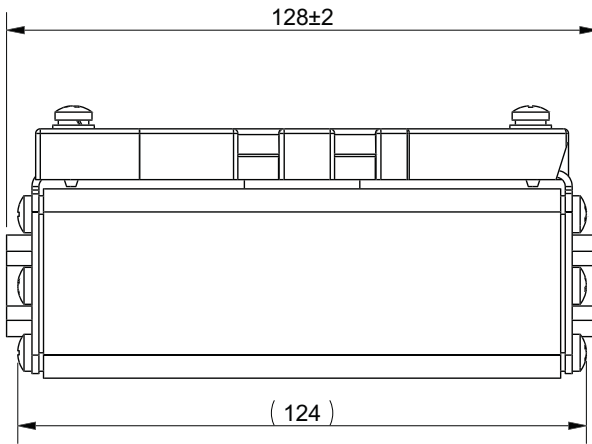
IEC 60269



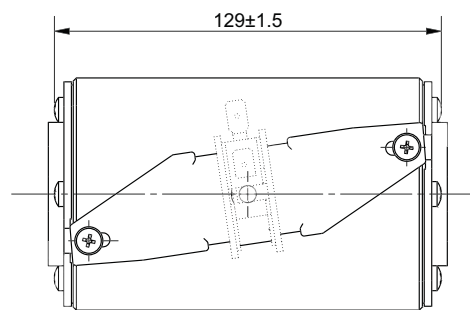
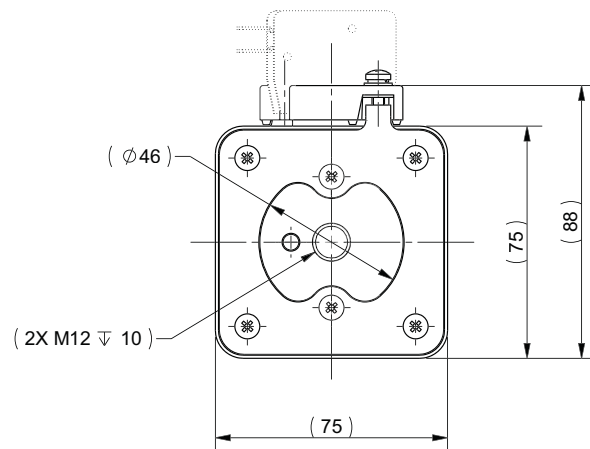
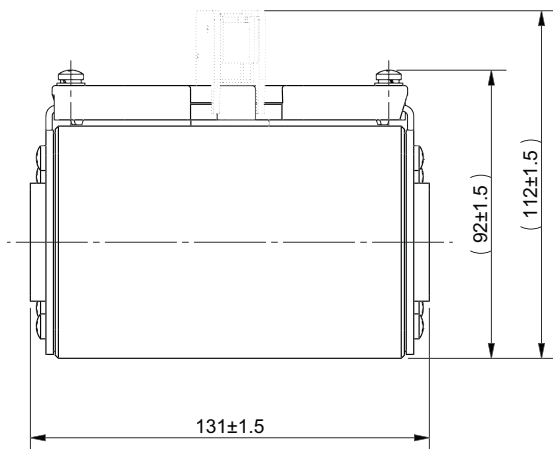
Fuse link type	Fuse link body size	Rated voltage	Rated current (Amps)	I ² t (A ² Sec)		Watts loss (W)		Catalogue numbers
				Pre-arcing	Clearing at 750 V d.c.	0.8 I _n	I _n	
Flush end	1*	750 V d.c. (IEC)	50	390	1300	15	27	170M2000
			63	610	2050	18	35	170M2001
			80	670	2250	19	37	170M2002
			100	2450	8150	21	40	170M2003
			125	2950	9800	24	47	170M2004
			160	5500	18,250	29	56	170M2005
Flush end	3	750 V d.c. (IEC)	450	65,700	272,300	46	87	170M2010
			500	83,200	344,800	52	98	170M2011
			550	136,700	566,500	67	126	170M2012
			630	173,500	719,000	75	142	170M2013
			700	268,000	1,110,500	78	156	170M2014
			750	307,600	1,275,000	83	167	170M2015
Parallel	23	750 V d.c. (IEC)	800	349,900	1,450,000	89	178	170M2016
			1000	476,300	1,973,700	112	187	170M2017
			1250	694,000	2,875,800	134	224	170M2018
			1400	1,071,600	4,440,500	152	254	170M2019
			1500	1,230,200	5,097,700	165	275	170M2020
			1600	1,399,700	5,800,100	180	300	170M2021

Size 1*, 3 and 23, Square body fuse links, 170M
750 V d.c. (IEC), 50 to 1600 A

Dimensions - mm



170M2000 to 170M2005 - Flush End - Size 1*

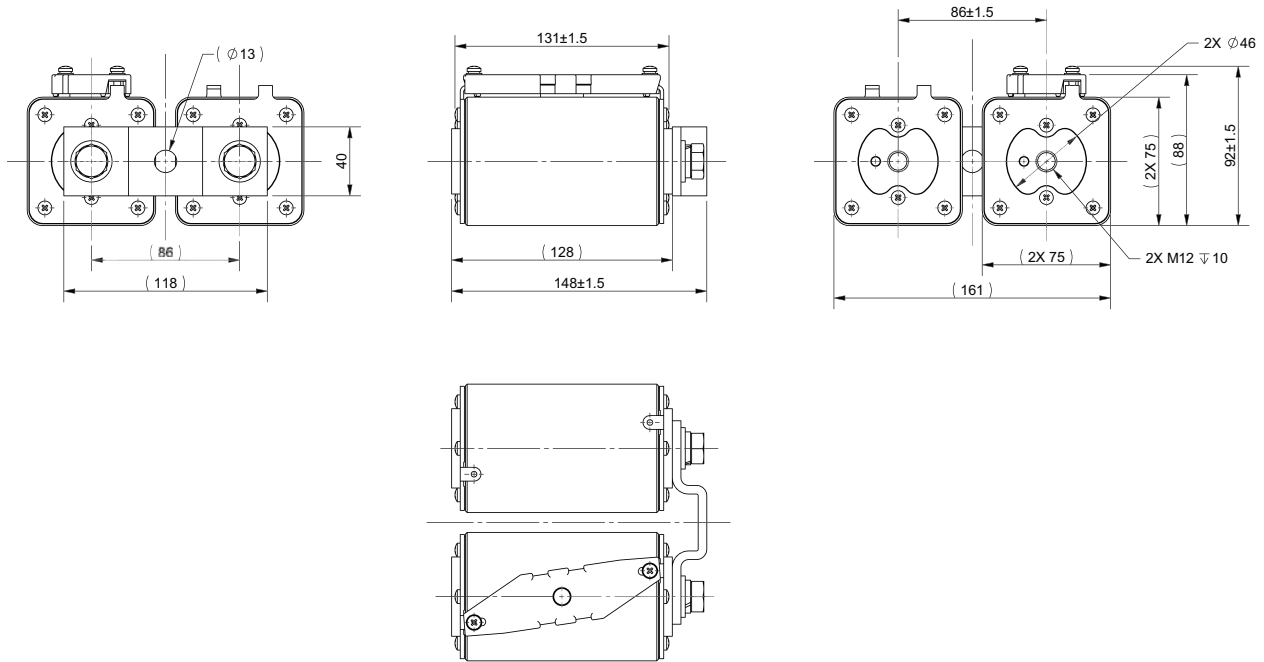


170M2010 to 170M2016 - Flush End - Size 3

Data sheet: 720140

Size 1*, 3 and 23, Square body fuse links, 170M
 750 V d.c. (IEC), 50 to 1600 A

Dimensions - mm



170M2017 to 170M2021 - Parallel - Size 23

Size 1*, 1, 2 and 3, Square body fuse links, 170E

750 V d.c. (IEC), 63 to 500 A

Specifications

Description

Traction flush end square body high speed fuse links for superior protection of DC third rail applications up to 750 V d.c..

Technical data

Rated voltage: 750 V d.c. (IEC)

Rated current: 63-500 A

Breaking capacity:

- 100 kA at 1000 V d.c., L/R 40ms
- 100 kA at 750 V d.c., L/R 100ms

Operating class: gR

Standards / Agency information

Consult Eaton's Bussmann business bulehighspeedtechnical@eaton.com



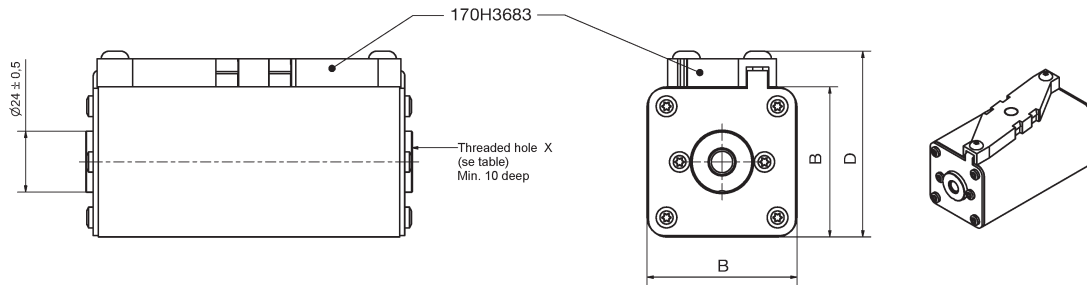
Fuse link body size	Rated voltage	Rated current (Amps)	I²t (A²s)		Catalogue numbers		Fuse link type	Catalogue numbers	
			Pre-arcing	Watts loss (W)	-BK flush end	-EK knife blade		Fuse link type	
1*	750 V d.c. (IEC)	63	1100	10	170E3577		170E3583		
		80	1750	13	170E3578		170E3584		
		100	3000	16	170E3579		170E3585	EK/155	
		125	4500	21	170E3580		170E3586		
		160	7700	26	170E3581		170E3587		
1	750 V d.c. (IEC)	200	11,000	37	170E5417	BK/130	170E5420		
		250	18,000	46	170E5418		170E5421	EK/165	
2	750 V d.c. (IEC)	250	17,000	47	170E8335		170E8345		
		315	28,000	57	170E8336		170E8346	EK/170	
3	750 V d.c. (IEC)	400	55,000	73	170E8337		170E8347		
		500	75,500	93	170E9681		170E9685	EK/170	

Data sheets: Size 1* 170K3620, Size 1 170k3622, Size 2 170K3624, Size 3 170K3626-A

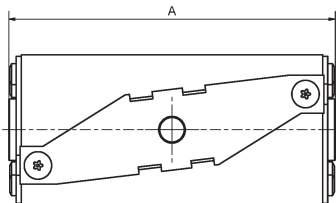
Size 1*, 1, 2 and 3, Square body fuse links, 170E

750 V d.c. (IEC), 63 to 500 A

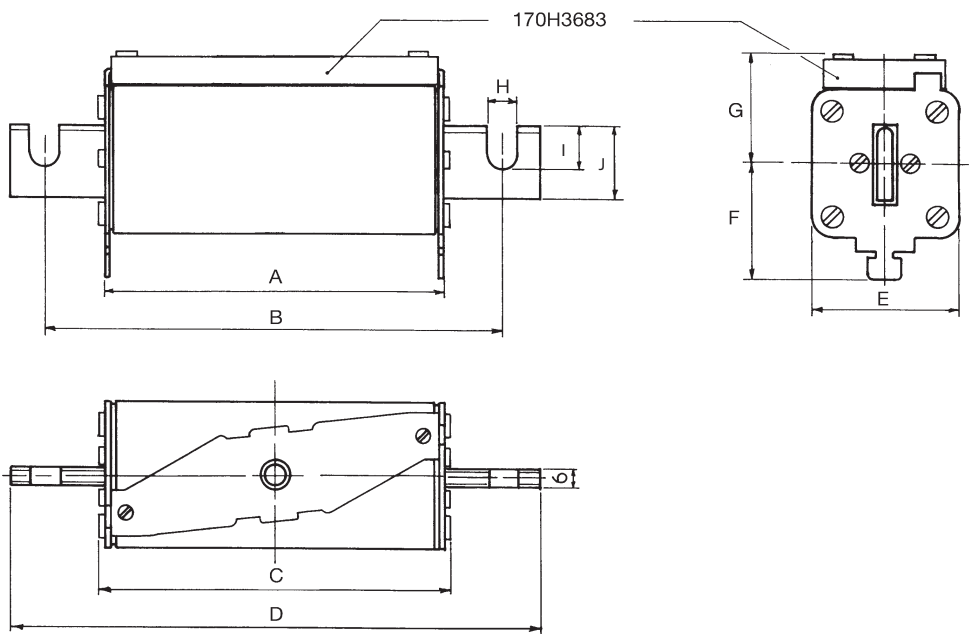
Dimensions - mm



Size	A	B	D	X
1*BK/130	129	43	61	M8
1 BK/130	130	51	69	M8
2 BK/130	130	59	77	M10
3 BK/130	131	74	90	M12



Type -BK/130



Type -EK/-

Size	A	B	C	D	E	F	G	H	I	J
1*EK/155	124	156	129	180	43	36	41	9	9	18
1 EK/165	124	166	129	191	51	37	41	11	14	25
2 EK/170	124	170	129	205	59	42	48	13	21	30
3 EK/170	125	170	130	206	74	51	56	13	20	36

Data sheets: Size 1* 170K3620, Size 1 170k3622, Size 2 170K3624, Size 3 170K3626-A

Size 4, Square body fuse links, 170M7217

1250 V a.c. / 850 V d.c. (IEC), 1400 A

Specifications

Description

Traction flush end square body high speed fuse link suitable for use in third rail collector systems to protect high speed DC breakers in low time constant, high fault conditions. Suitable for 1250 V a.c./850 V d.c. systems.

Technical data

Rated voltage: 1250 V a.c. / 850 V d.c. (IEC)

Rated current: 1400 A

Tested breaking capacity:

- 100 kA at 1250 V a.c.
- 80 kA at 850 V d.c., L/R 8ms

Operating class: aR

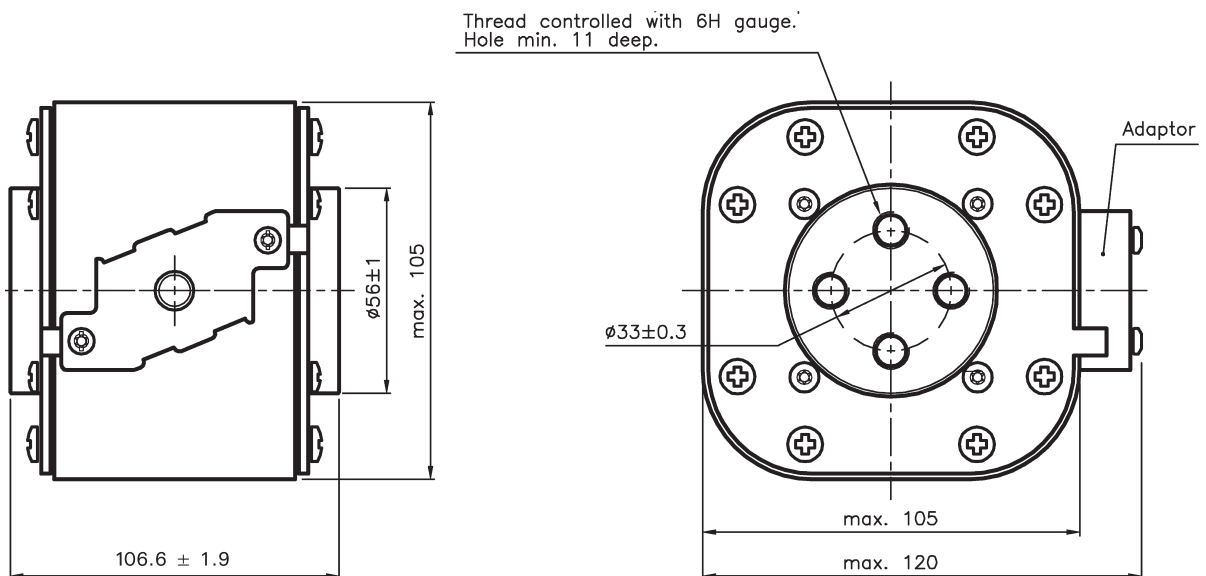
Standards / Agency information

Consult Eaton's Bussmann business bulehighspeedtechnical@eaton.com



Fuse link body size	Rated voltage	Rated current (Amps)	I ² t (A ² Sec)		Watts loss (W)	Catalogue numbers
			Pre-arcing	Clearing at 1250 V a.c.		
4	850 V d.c./ 1250 V a.c. (IEC)	1400	800,000	5,000,000	195	170M7217

Dimensions - mm



Data sheets: 170K6640, 170K6642

Size 1*, Square body fuse links, 170M

1200 V d.c. (IEC), 20 to 215A

Specifications

Description

Traction bolted tags square body high speed fuse links for superior protection of DC third rail applications up to 1200 V d.c..

Technical data

Rated voltage: 1200 V d.c. (IEC)

Rated current: 20-215 A

Tested breaking capacity: 150 kA at 1350 V d.c., L/R 12ms

Operating class: aR

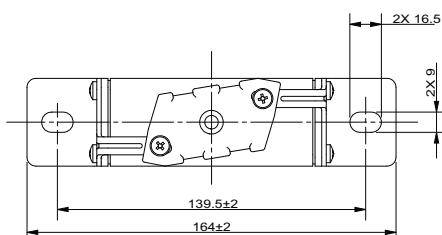
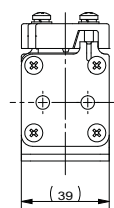
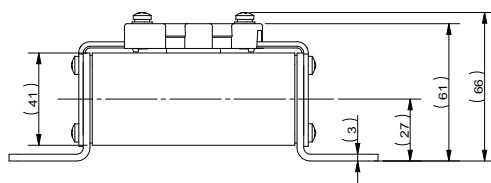
Standards / Agency information

IEC 60269



Fuse link type	Fuse link body size	Rated voltage	Rated current (Amps)	I ² t (A ² Sec)		Watts loss (W)		Catalogue numbers
				Pre-arcing	Clearing at 1200 V d.c.	0.8 I _n	I _n	
Single slot tag	1*	1200 V d.c. (IEC)	20	82	249	1	2	170M2100
			25	173	526	4	8	170M2101
			32	327	994	5	9	170M2102
			40	550	1675	1	9	170M2103
			50	950	2890	7	13	170M2104
			63	1310	3990	5	9	170M2105
			80	1970	6000	13	23	170M2106
			100	3800	11,600	14	26	170M2107
			125	8550	26,025	13	24	170M2108
			160	8770	26,700	24	44	170M2109
			200	15,200	46,300	29	52	170M2110
			215	16,430	50,000	32	58	170M2111

Dimensions - mm



Data sheet: 720141

Size 2, Square body fuse links, 170F

1200 V d.c. (IEC), 160 to 420 A

Specifications

Description

Traction bolted tags square body high speed fuse link for superior protection in DC traction applications up to 1200 V d.c..

Technical data

Rated voltage: 1200 V d.c. (IEC)

Rated current: 160-420 A

Breaking capacity:

- 100 kA at 1000 V d.c., L/R = 45ms
- 100 kA at 1200 V d.c., L/R = 15ms

Operating class: aR

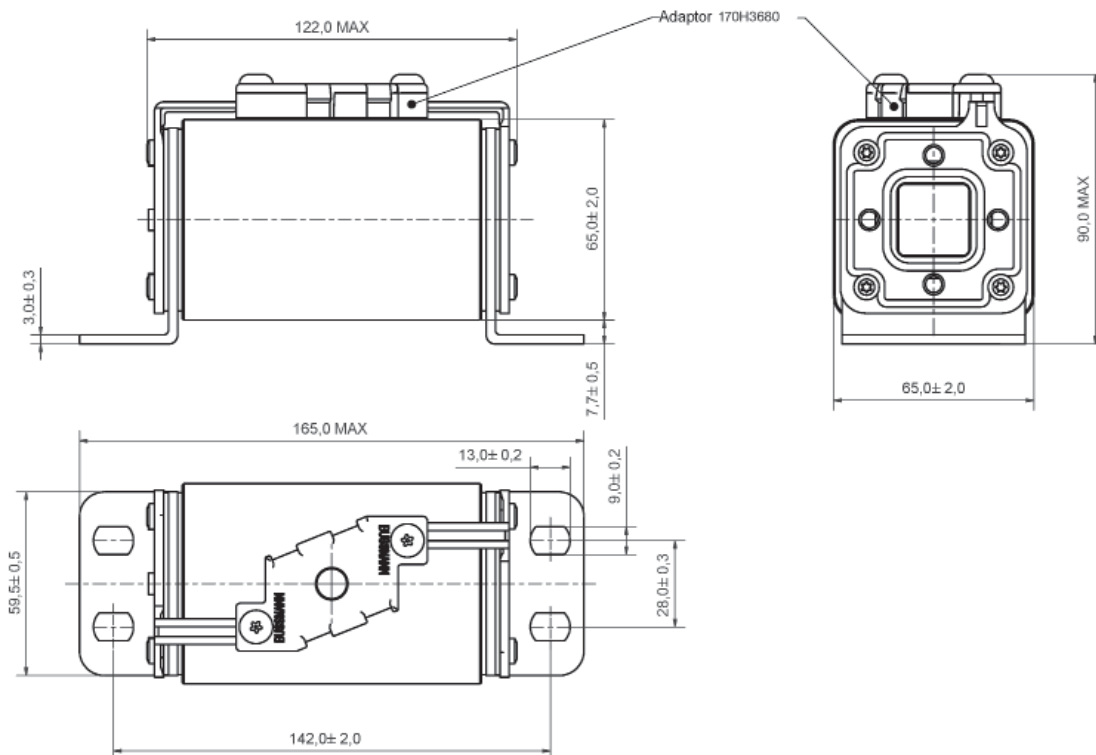
Standards / Agency information

Consult Eaton's Bussmann business bulehighspeedtechnical@eaton.com



Fuse link type	Fuse link body size	Rated voltage	Rated current (Amps)	I ² t (A ² Sec)		Watts loss (W)	Catalogue numbers
				1000 V d.c. L/R 15ms	1000 V d.c. L/R 45ms		
Double slotted tag	2	1200 V d.c. (IEC)	160	12,000	20,000	75	170F8230
			200	20,000	35,000	85	170F8231
			250	43,000	75,000	94	170F8232
			315	87,000	150,000	104	170F8233
			400	180,000	310,000	120	170F8234
			420	215,000	375,000	122	170F8235

Dimensions - mm



Data sheet: 170K5520

Size 1*, Square body fuse links, 170E

2000 V d.c. (IEC), 10 to 80 A

Specifications

Description

Traction bolted tags square body high speed fuse link which provides superior protection in DC traction applications up to 2000 V d.c..

Technical data

Rated voltage: 2000 V d.c. (IEC)

Rated current: 10-80 A

Tested breaking capacity: 40 kA at 2000 V d.c., L/R 30ms

Operating class: gR

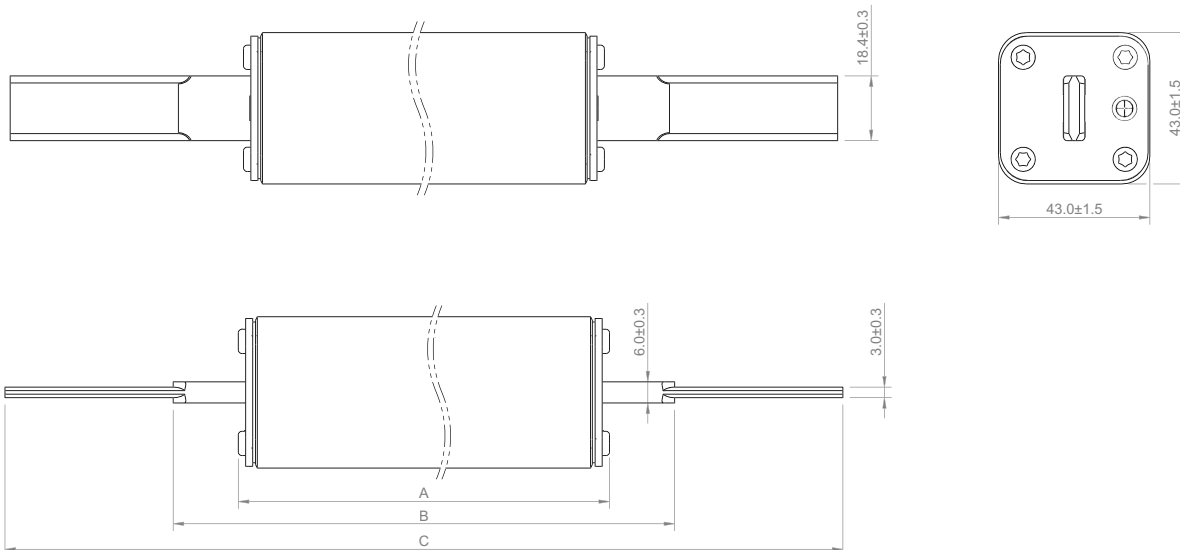
Standards / Agency information

Consult Eaton's Bussmann business bulehighspeedtechnical@eaton.com.



Fuse link type	Fuse link body size	Rated voltage	Rated current (Amps)	Watts loss (W)	Catalogue numbers
Knife blade style 1*		2000 V d.c. (IEC)	10	7	170E3977
			12	8	170E3982
			16	11	170E3971
			20	13	170E3906
			25	17	170E3907
			32	22	170E3908
			40	27	170E3909
			50	34	170E3910
			63	43	170E3911
			80	50	170E3912

Dimensions - mm



A	B	C
215 ± 2.5	250.5 ± 3.2	245.5 ± 3.5

Data sheet: 170K4538

Size 1*, Square body fuse links, 170E

2000 V d.c. (IEC), 10 to 125 A

Specifications

Description

Traction bolted tags square body high speed fuse link which provides superior protection in DC traction applications up to 2000 V d.c..

Technical data

Rated voltage: 2000 V d.c. (IEC)

Rated current: 10-125 A

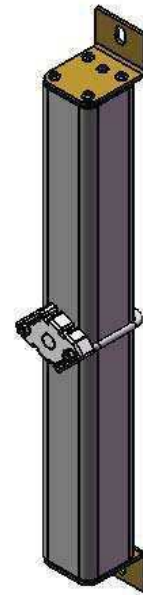
Tested breaking capacity: 40 kA at 2000 V d.c., L/R 30ms

Operating class:

- aR (170E3937 to 170E3945)
- gR (170E3950 to 170E3956 and 170E3970 and 170E3976)

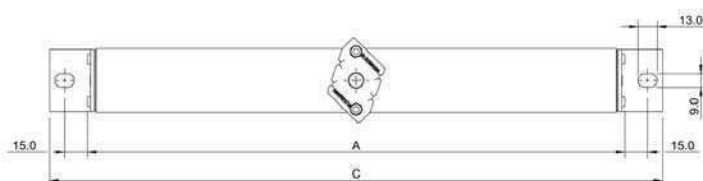
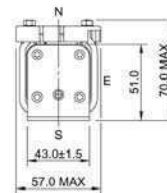
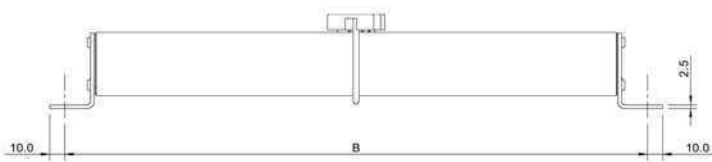
Standards / Agency information

Contact Eaton's Bussmann business bulehighspeedtechnical@eaton.com



Fuse link type	Fuse link body size	Rated voltage	Rated current (Amps)	Watts loss (W)	Catalogue numbers
Bolted blade Style	1*	2000 V d.c. (IEC)	20	13	170E3937
			25	16	170E3938
			32	20	170E3939
			40	25	170E3940
			50	32	170E3941
			63	40	170E3942
			80	51	170E3943
			100	64	170E3944
			125	80	170E3945
			10	7	170E3976
			16	11	170E3970
			20	13	170E3950
			25	17	170E3951
			32	22	170E3952
			40	27	170E3953
			50	34	170E3954
			63	43	170E3955
			80	50	170E3956

Dimensions - mm



A	B	C
217	246	266

Data sheets: 170K4538 (IR = 30 kA), 170K4900 (IR = 60 kA)

Square body fuse links, 170M 2000 V d.c. (IEC), 20 to 600 A

Specifications

Description

Traction bolted tags square body high speed fuse links which provides superior protection for DC traction third rail applications up to 2000 V d.c..

Technical data

Rated voltage: 2000 V d.c. (IEC)

Rated current:

- 20-215 A Single slot tag
- 160-400 A Double slot tag
- 500-600 A Parallel double slot tag

Breaking capacity:

- 100 kA at 2000 V d.c., L/R <15ms
- 100 kA at 1500 V d.c., L/R <30ms

Operating class: aR

Standards / Agency information

Tested in line with IEC 60269.

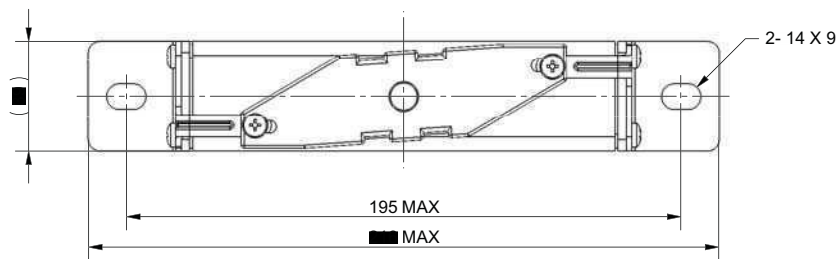
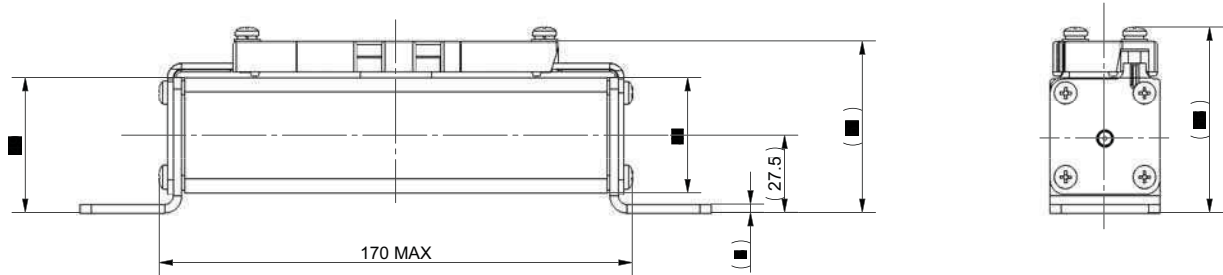


Fuse link type	Rated voltage	Rated current (Amps)	I ² t (A ² Sec)		Watts loss (W)		Catalogue numbers
			Pre-arcing	Total at 2000 V d.c.	0.8 I _n	I _n	
Single slot tag	2000 V d.c. (IEC)	20	85	240	9	12	170M2046
		25	130	390	9	16	170M2047
		32	220	645	11	18	170M2048
		40	390	1140	12	20	170M2049
		50	610	1780	17	33	170M2050
		63	1030	3000	20	39	170M2051
		80	1555	4550	28	53	170M2052
		100	2680	7840	33	63	170M2053
		125	4110	12,020	42	79	170M2054
		160	6620	19,360	45	87	170M2055
		200	10,720	31,360	50	95	170M2056
Double slot tag	2000 V d.c. (IEC)	215	21,870	64,000	51	97	170M2057
		160	7875	75,960	68	91	170M2039
		200	12,300	118,670	85	113	170M2040
		250	21,870	211,000	100	133	170M2041
		315	38,880	375,110	119	158	170M2042
Parallel double slot tag	2000 V d.c. (IEC)	400	65,710	633,965	148	176	170M2043
		500	105,851	163,010	109	230	170M2044
		600	188,179	289,796	153	305	170M2045

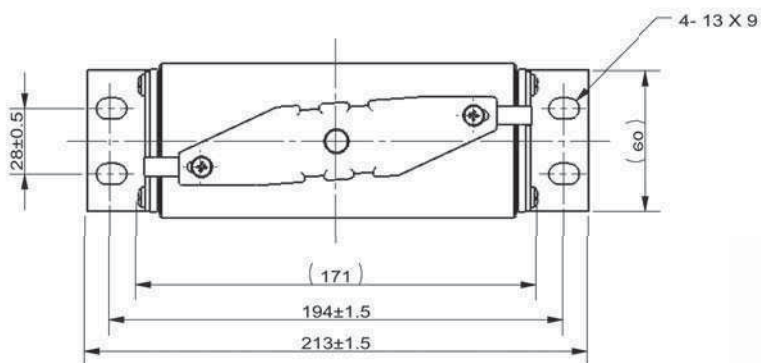
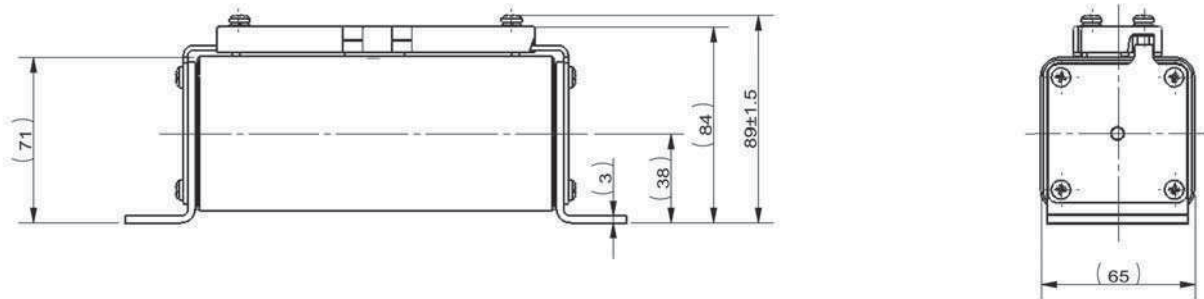
Square body fuse links, 170M

2000 V d.c. (IEC), 20 to 600 A

Dimensions - mm



170M2046 to 170M2057 - Single Slot Tag

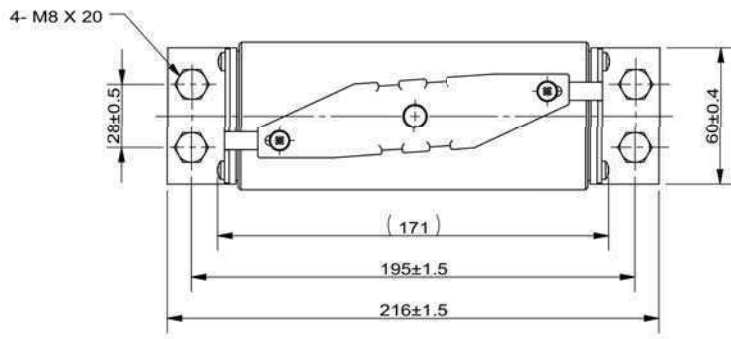
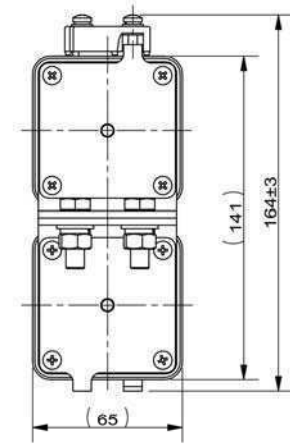
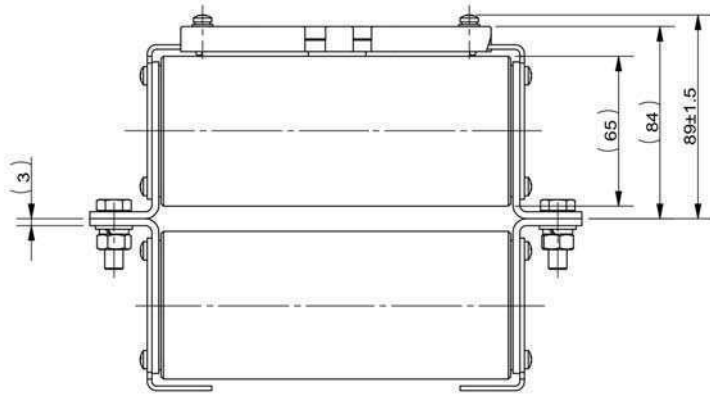


170M2039 to 170M2043 - Double Slot Tag

Data sheet: 720142

Square body fuse links, 170M
 2000 V d.c. (IEC), 20 to 600 A

Dimensions - mm



170M2044 and 170M2045 - Parallel Double Slot Tag

Size 3, Square body fuse links, 170M

2400 V d.c. (IEC), 100 to 400 A

Specifications

Description

Traction bolted tags square body high speed fuse links for superior protection of DC third rail applications up to 2400 V d.c..

Technical data

Rated voltage: 2400 V d.c. (IEC)

Rated current: 100-400 A

Tested breaking capacity:

- 100 kA at 2400 V d.c., L/R < 15ms
- 100 kA at 2000 V d.c., L/R < 45ms

Operating class: aR

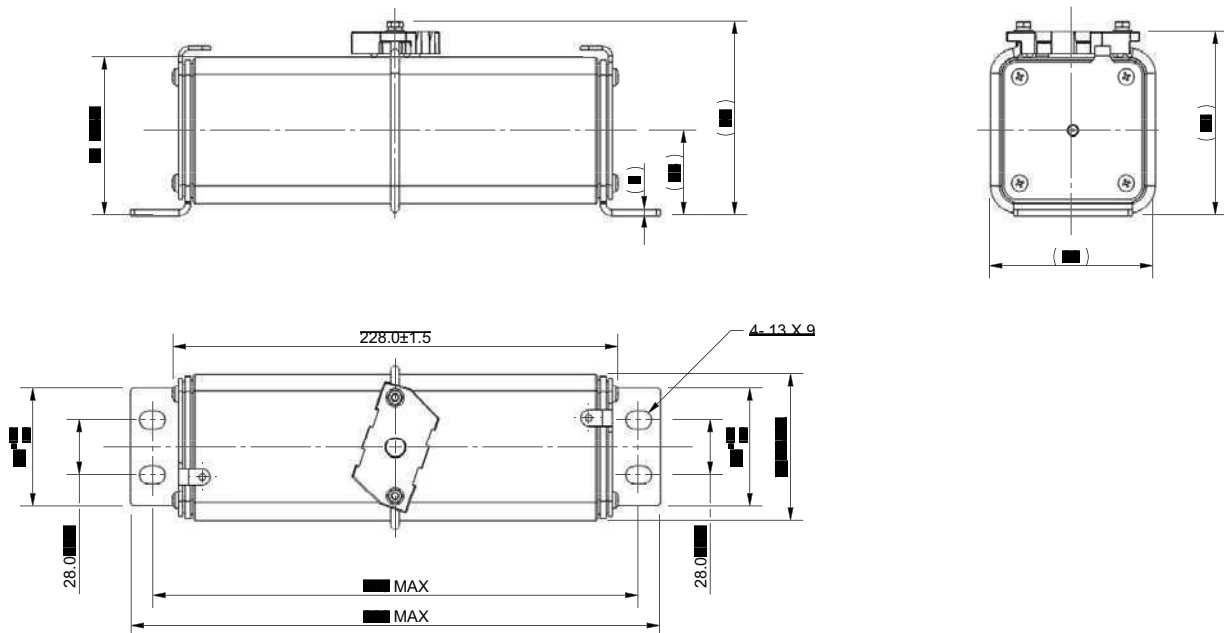
Standards / Agency information

Tested in line with IEC 60269.



Fuse link type	Fuse link body size	Rated voltage	Rated current (Amps)	Pt (A ² Sec)		Watts loss (W)		Catalogue numbers
				Pre-arcing	Total at 2000 V d.c.	0.8 I _n	I _n	
Double slot tag	3	2400 V d.c. (IEC)	100	5468	15,457	20	39	170M2090
			160	16,427	46,439	43	84	170M2091
			200	25,667	72,561	53	97	170M2092
			250	36,960	104,488	60	103	170M2093
			315	66,977	189,346	82	162	170M2094
			350	87,480	247,309	89	175	170M2095
			400	110,717	313,000	103	203	170M2096

Dimensions - mm



Size 1*, Square body fuse links, 170E

4000 V d.c. (IEC), 20 to 125A

Specifications

Description

Traction bolted tags square body high speed fuse link for superior protection in DC traction applications up to 4000 V d.c..

Technical data

Rated voltage: 4000 V d.c. (IEC)

Rated current: 20-125 A

Tested breaking capacity: 50 kA at 4000 V d.c., L/R 10ms

Operating class: aR

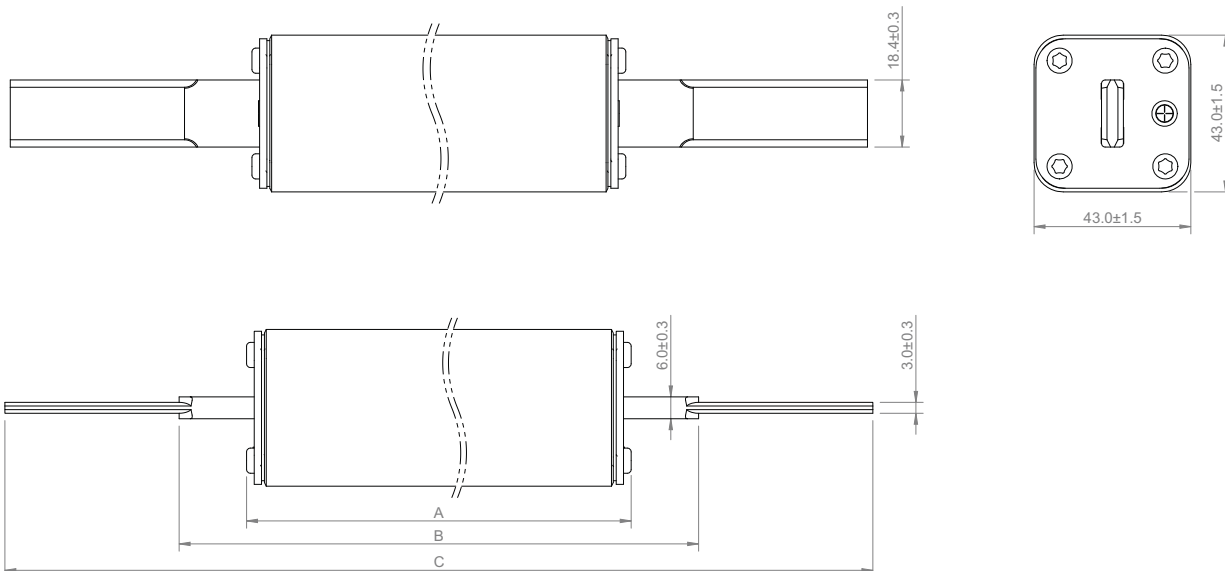
Standards / Agency information

Consult Eaton's Bussmann business bulehighspeedtechnical@eaton.com.



Fuse link body size	Rated voltage	Rated current (Amps)	Watts loss (W)	Catalogue numbers
1*	4000 V d.c. (IEC)	20	23	170E3924
		25	28	170E3925
		32	34	170E3926
		40	45	170E3927
		50	57	170E3928
		63	72	170E3929
		80	91	170E3930
		100	114	170E3931
		125	143	170E3932

Dimensions - mm



Data sheet: 170K6600

Size 1*, 2 and 2//2, Square body fuse links, 170E

4000 V d.c. (IEC), 20 to 450 A

Specifications

Description

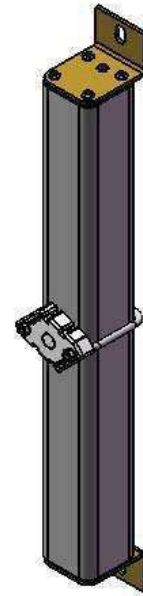
Traction bolted tags square body high speed fuse link for superior protection in DC traction applications up to 4000 V d.c..

Technical data

Rated voltage: 4000 V d.c. (IEC)
 Rated current: 20-450 A
 Breaking capacity: 60 kA at 4000 V d.c., L/R 25ms
 Operating class: aR

Standards / Agency information

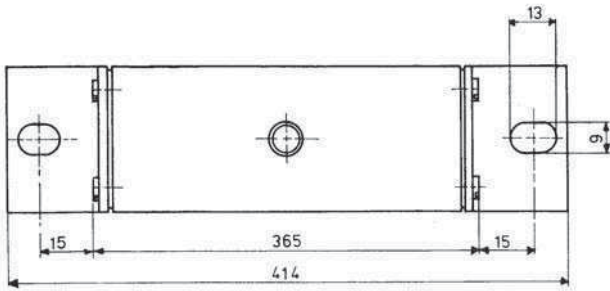
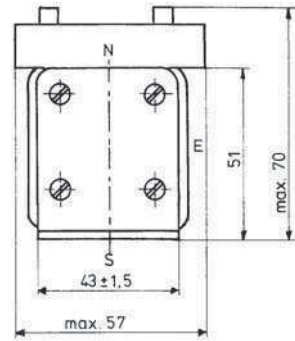
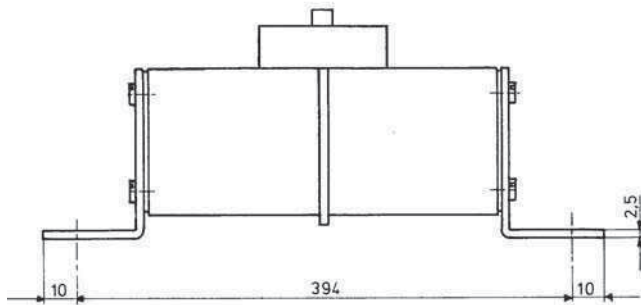
Consult Eaton's Bussmann business bulehighspeedtechnical@eaton.com.



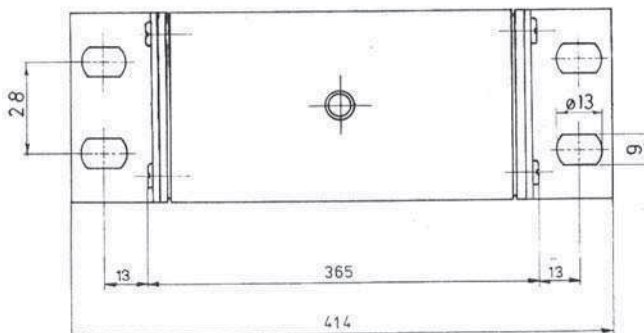
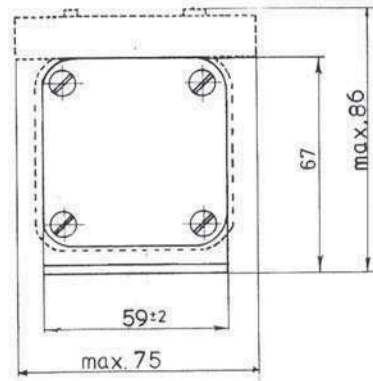
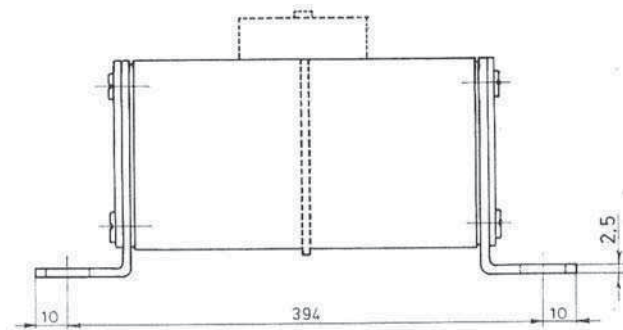
Fuse link body size	Rated voltage	Rated current (Amps)	Watts loss (W)	Catalogue numbers
1*	4000 V d.c. (IEC)	20	23	170E3914
		25	28	170E3915
		32	34	170E3916
		40	45	170E3917
		50	57	170E3918
		63	72	170E3919
		80	91	170E3984
		100	114	170E3933
2	4000 V d.c. (IEC)	125	143	170E3922
		160	182	170E8882
		200	228	170E8883
2//2	4000 V d.c. (IEC)	250	285	170E8884
		315	360	170E8885
		350	400	170E8886
		400	455	170E8887
		450	515	170E8888

Size 1*, 2 and 2//2, Square body fuse links, 170E
 4000 V d.c. (IEC), 20 to 450 A

Dimensions - mm



Type 1*SKN/394

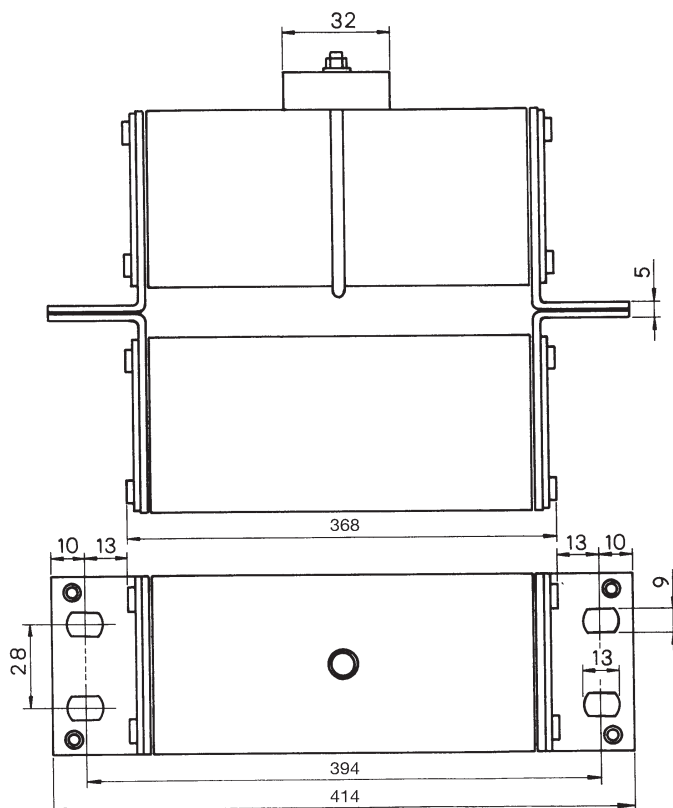


Type 2SKN/394

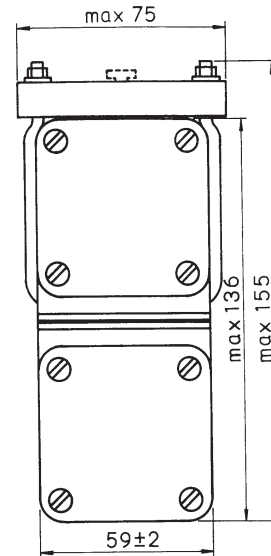
Data sheets: 1* 170K6600, 2 & 2//2 170K6604

Size 1*, 2 and 2//2, Square body fuse links, 170E
4000 V d.c. (IEC), 20 to 450 A

Dimensions - mm



Type 2//SKN/394



20 x 127 and 25 x 146 mm, Ferrule fuse links, FWK

750 V d.c. (IEC), 5 to 60 A

Specifications

Description

Ferrule high speed fuse links for light rail applications in auxiliary power and distribution equipment.

Technical data

Rated voltage: 750 V d.c. (IEC)

Rated current:

- 5-30 A (20 x 127 mm)
- 35-60 A (25 x 146 mm)

Breaking capacity: 50 kA at 750 V d.c., L/R 10-15ms

Operating class: gG

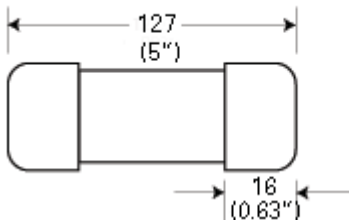
Standards / Agency information

Tested in line with IEC 60269.

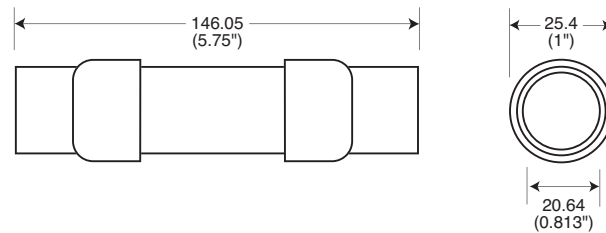


Fuse link size	Rated voltage	Rated current (Amps)	I ² t (A ² Sec)		Watts loss (W)	Catalogue numbers
			Pre-arcing	Clearing at 750 V d.c.		
20 x 127 mm (13/16" x 5")	750 V d.c. (IEC)	5	8.5	16	6.7	FWK-5A20F
		8	50	100	8.8	FWK-8A20F
		10	95	200	8.5	FWK-10A20F
		15	100	240	5	FWK-15A20F
		20	125	315	7.8	FWK-20A20F
		25	400	1100	6.5	FWK-25A20F
		30	800	2600	6.5	FWK-30A20F
25 x 146 mm (1" x 5 3/4")	750 V d.c. (IEC)	35	1300	4300	6	FWK-35A25F
		40	1600	5300	6.8	FWK-40A25F
		50	3100	12000	7.3	FWK-50A25F
		60	5900	24000	7.7	FWK-60A25F

Dimensions - mm (in)



5-30 A



35-60 A

Data sheets: 720039, 35785031

Ferrule fuse links, LRC750

750 V d.c. (IEC), 30 to 50 A

Specifications

Description

Ferrule high speed fuse links for light rail applications in auxiliary power and distribution equipment. Also suitable for heavy rails applications in instrumentation and control circuits equipment.

Technical data

Rated voltage: 750 V d.c. (IEC)
 Rated current: 30-50 A
 Breaking capacity: 50 kA at 750 V d.c., L/R 15-20ms
 Operating class: gR

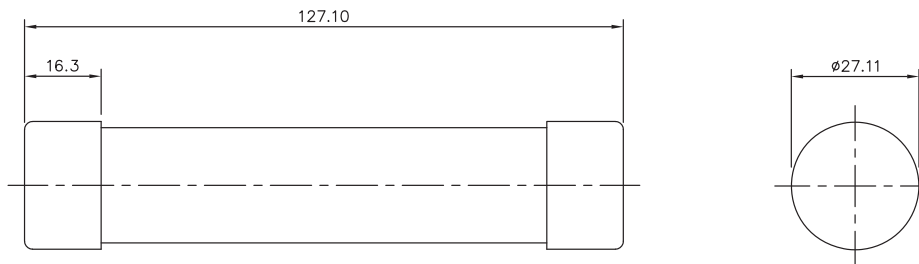
Standards / Agency information

Tested in line with IEC 60269.



Fuse link type	Rated voltage	Rated current (Amps)	I ² t (A ² Sec)			Catalogue numbers
			Pre-arcing	Clearing at 750 V d.c.	Watts loss (W)	
LRC750	750 V d.c. (IEC)	30	700	2250	4.5	30LRC750
		40	1800	5300	5.8	40LRC750
		50	3100	12000	9.4	50LRC750

Dimensions - mm



20 x 127 mm, Ferrule fuse links, FWL and FWS

1200-1400-2000 V a.c. (IEC), 1000 V d.c. (IEC), 2 to 30 A

Specifications

Description

Ferrule high speed fuse links for light rail applications in auxiliary power and distribution equipment.

Technical data

Rated voltage:

- FWL: 1200 V a.c. (IEC) / 1000 V d.c.
- FWS: 2000 V a.c./1000 V d.c. (IEC, 2-8A)
1400 V a.c./1000 V d.c. (IEC, 10-15A)

Rated current: 2-30 A

Breaking capacity: 50 kA at 1000 V d.c., L/R 15ms

Operating class: gG

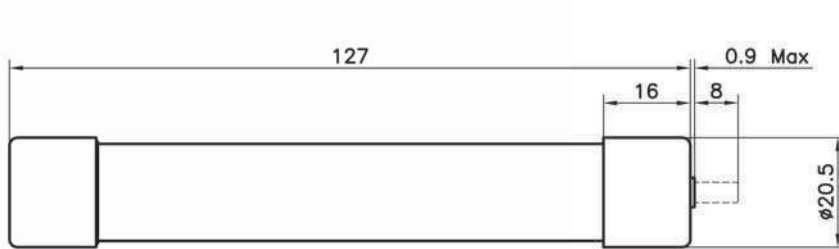
Standards / Agency information

Consult Eaton's Bussmann business bulehighspeedtechnical@eaton.com.



Fuse link size	Rated voltage	Rated current (Amps)	I ² t (A ² Sec)		Watts loss (W)	Catalogue numbers	
			Pre-arcing	Clearing at 1000 V d.c.		Without indicator	With indicator
20 x 127 mm (13/16" x 5)	2000 V a.c./ 1000 V d.c. (IEC)	2	0.8	2.4	4.4	FWS-2A20F	FWS-2A20FI
		6	27	81	6.7	FWS-6A20F	FWS-6A20FI
		8	64	192	7.6	FWS-8A20F	FWS-8A20FI
	1400 V a.c./ 1000 V d.c. (IEC)	10	118	277	3.0	FWS-10A20F	FWS-10A20FI
		12	170	380	3.4	FWS-12A20F	FWS-12A20FI
20 x 127 mm (13/16" x 5)	1200 V a.c./ 1000 V d.c. (IEC)	15	209	500	5.0	FWS-15A20F	FWS-15A20FI
		20	675	1550	5.9	FWL-20A20F	FWL-20A20FI
		25	1200	2760	6.5	FWL-25A20F	FWL-25A20FI
		30	1850	4300	7.5	FWL-30A20F	FWL-30A20FI

Dimensions - mm



Data sheets: 720040, 5785109

Round body fuse links, KC36

750 V d.c. (IEC), 5 to 60 A

Specifications

Description

Ferrule high speed fuse links for light rail applications in auxiliary power and distribution equipment. Also suitable for heavy rails applications in instrumentation and control circuits equipment.

Technical data

Rated voltage:	750 V d.c. (IEC)
Rated current:	5-60 A
Breaking capacity:	50 kA at 750 V d.c., L/R 15-20ms
Operating class:	gG

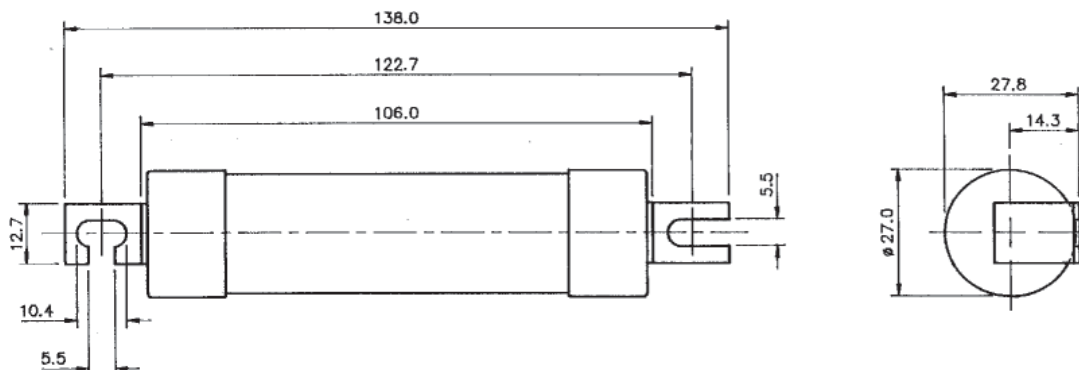
Standards / Agency information

Tested in line with IEC 60269.



Fuse link type	Rated voltage	Rated current (Amps)	I ² t (A ² Sec)		Watts loss (W)	Catalogue numbers
			Pre-arcing	Clearing at 750 V d.c.		
KC36	750 V d.c. (IEC)	5	8.5	16	6.7	5KC36
		8	50	100	8.8	8KC36
		10	95	200	8.5	10KC36
		15	100	240	5	15KC36
		20	125	315	7.8	20KC36
		25	400	1100	6.5	25KC36
		30	800	2600	6.5	30KC36
		35	1300	4300	6	35KC36
		40	1600	5300	6.8	40KC36
		50	3100	12,000	7.3	50KC36
		60	5900	24,000	7.7	60KC36

Dimensions - mm



Round body fuse links, RC

750 V d.c. (IEC), 200 to 400 A

Specifications

Description

Round bodied bolted tags high speed traction fuse links which provides protection for DC traction third rail applications.

Technical data

Rated voltage: 750 V d.c. (IEC)

Rated current: 200-400 A

Breaking capacity: Consult Eaton's Bussmann business
bulehighspeedtechnical@eaton.com

Operating class: gG

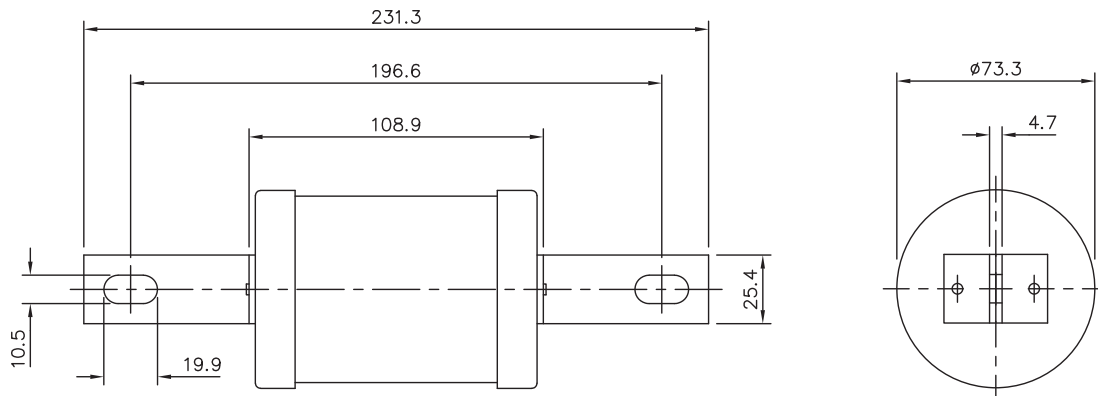
Standards / Agency information

Consult Eaton's Bussmann business bulehighspeedtechnical@eaton.com.



Rated voltage	Rated current (Amps)	I^2t (A ² s)	Watts loss (W)	Catalogue numbers
750 V d.c. (IEC)	200	85,000	31	200RC
	250	225,000	33	250RC
	300	340,000	37	300RC
	350	530,000	41	350RC
	400	756,000	48	400RC

Dimensions - mm



Data sheets: 5778869, 5785107 and 5785207

Round body fuse links, SF

900 V d.c. (IEC), 160 to 1000 A

Specifications

Description

Round bodied flush end high speed traction fuse links which provides protection for DC traction third rail applications.

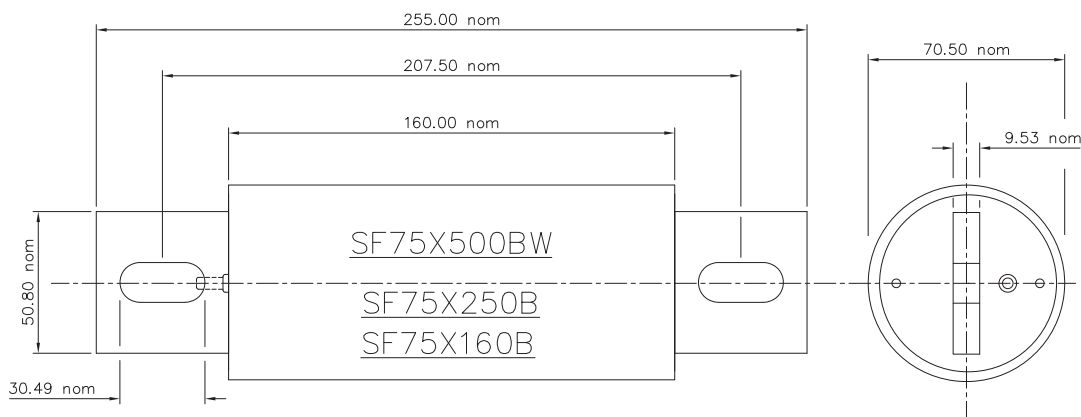
Technical data

Rated voltage:	900 V d.c. (IEC)
Rated current:	160-1000 A
Breaking capacity:	80 kA at 900 V d.c., L/R 80ms ¹
Operating class:	aR (600 to 1000 A)/gR (160 to 320 A)



Rated voltage	Rated current (Amps)	I ² t (A ² s)	Total at 900 V d.c.	Catalogue numbers	
				Blade contact	Flush end contact
900 V d.c. (IEC)	160	23,000	205,000	SF75X160B	-
	250	54,000	90,000	SF75X250B	-
	500	150,000	570,000	SF75X500BW	-
	600	585,000	4,000,000	SF75X600BW	-
	800	1,400,000	9,000,000	SF75X800BW	SF75X800BB
	1000	-	-	SF100X1000	SF100X1000HP

Dimensions - mm



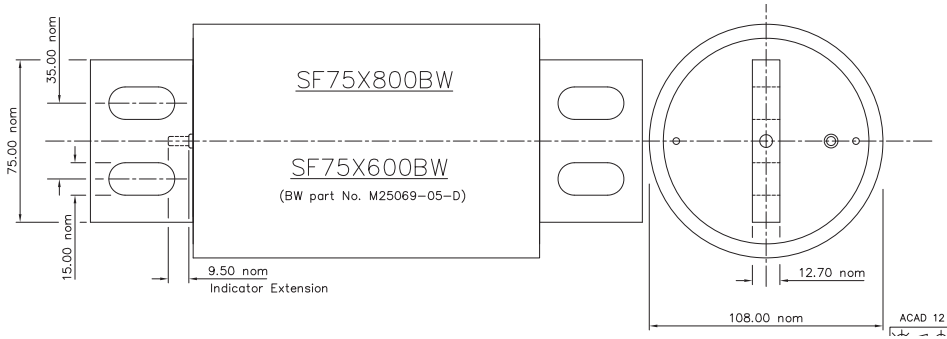
Blade contact: SF75X160B, SF75X250B, SF75X500B

¹ Consult Eaton's Bussmann business for full details bulehighspeedtechnical@eaton.com.

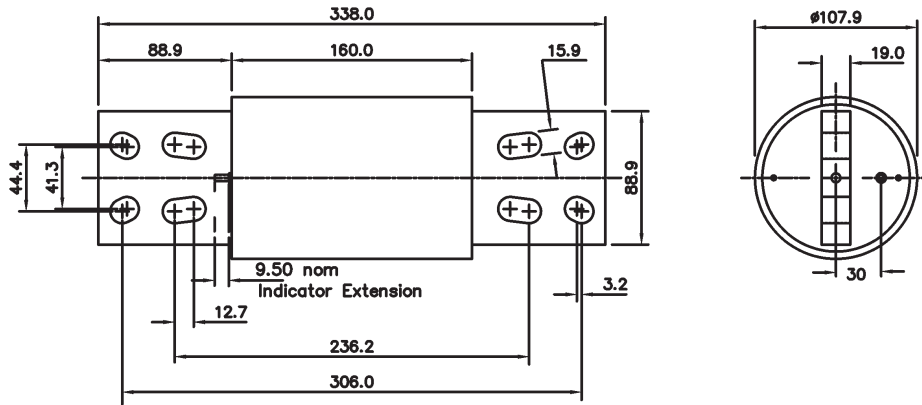
Round body fuse links, SF

900 V d.c. (IEC), 160 to 1000 A

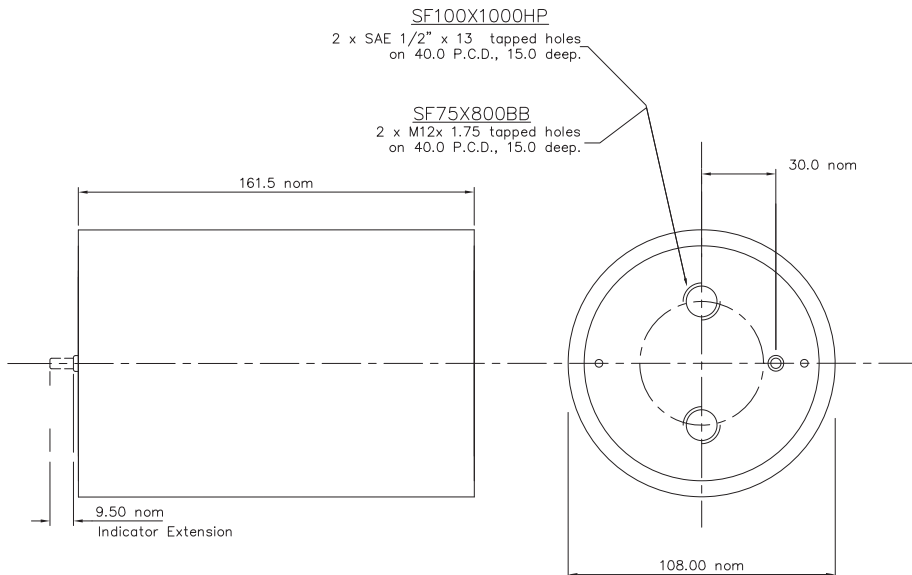
Dimensions - mm



Blade contact: SF75X600BW and SF75X800BW



Blade contact: SF100X1000



Flush end: SF75X800BB and SF100X1000HP

Data sheets: 5785227, 5779017

Round body fuse links, NBC

1500 V d.c. (IEC), 25 to 200 A

Specifications

Description

A range of round body bolted tags high speed fuse links for heavy rail applications such as auxiliary and distribution equipment.

Technical data

Rated voltage: 1500 V d.c. (IEC)

Rated current: 25-200 A

Breaking capacity: Consult Eaton's Bussmann business for interrupting rating and time constant capabilities.

Operating class: gR

Standards / Agency information

Consult Eaton's Bussmann business bulehighspeedtechnical@eaton.com.



Fuse link type	Rated voltage	Rated current (Amps)	Catalogue numbers
NBC	1500 V d.c. (IEC)	25	NBC-25
		60	NBC-60
		70	NBC-70
		100	NBC-100
		150	NBC-150
		200	NBC-200

Dimensions - mm

Consult Eaton's Bussmann business bulehighspeedtechnical@eaton.com.

Photovoltaic fuse links

10 x 38 mm, PVM

600 V d.c. (UL), 4 to 30 A

Specifications

Description

A range of UL 2579 fast-acting 600 V d.c. mid-gate fuse links specifically designed to protect solar power systems in extreme ambient temperature, high cycling and low level fault Rated current conditions (reverse rated current, multi-array fault).

Technical data

Rated voltage: 600 V d.c. to UL 2579

Rated current: 4-30 A

Breaking capacity: 50 kA DC (4-30 A)

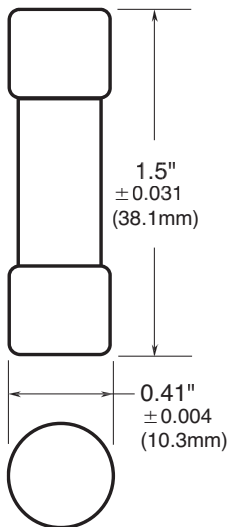
Standards / Agency information

UL Listed 2579, Guide JFGA, File E335324, CSA Component Certified C22.2.



Rated voltage	Rated current (Amps)	Power Loss (W)		Catalogue numbers
		0.8 x I _n	1 x I _n	
600 V d.c. (UL)	4			PVM-4
	5			PVM-5
	6			PVM-6
	7			PVM-7
	8			PVM-8
	9			PVM-9
	10	1.04	1.86	PVM-10
	12			PVM-12
	15	1	1.72	PVM-15
	20			PVM-20
	25			PVM-25
30	1.65	2.91	PVM-30	

Dimensions - in (mm)



Data sheet: 2153

10 x 38 mm, PV-10F

1000 V d.c. (IEC/UL), 1 to 20 A

Specifications

Description

A range of fuse links in a 10 x 38 mm package specifically designed for the protection and isolation of photovoltaic strings. The fuse links are capable of interrupting low overRated currents associated with faulted PV (reverse rated current, multi-array fault) string arrays.

Technical data

Rated voltage:	1000 V d.c. (IEC/UL)
Rated current:	1-20 A
Breaking capacity:	50 kA
Operating class:	gPV and UL PV fuse links

Standards / Agency information

IEC 60269-6, UL Recognised 2579 (File number E335324), CSA, CCC (1-15A), RoHS compliant.

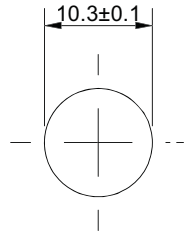
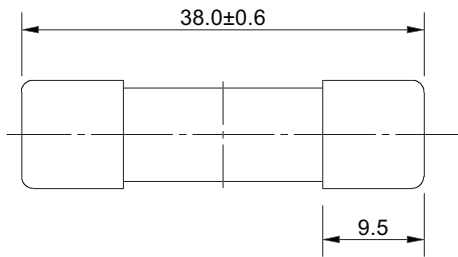


Rated voltage	Rated current (Amps)	I ² t (A ² Sec)		Watts loss (W)		Catalogue numbers			
		Pre-arcing	Total at 1000 V d.c.	0.8 I _n	I _n	Cylindrical	Bolt fixing	PCB fixing single pin	PCB fixing double pin
1000 V a.c. (UL/IEC)	1	0.15	0.4	0.8	1.5	PV-1A10F	PV-1A10-T	PV-1A10-1P	PV-1A10-2P
	2	1.2	3.4	0.6	1.0	PV-2A10F	PV-2A10-T	PV-2A10-1P	PV-2A10-2P
	3	4	11	0.8	1.3	PV-3A10F	PV-3A10-T	PV-3A10-1P	PV-3A10-2P
	3.5	6.6	18	0.9	1.4	PV-3-5A10F	PV-3-5A10-T	PV-3-5A10-1P	PV-3-5A10-2P
	4	9.5	26	1.0	1.5	PV-4A10F	PV-4A10-T	PV-4A10-1P	PV-4A10-2P
	5	19	50	1.0	1.6	PV-5A10F	PV-5A10-T	PV-5A10-1P	PV-5A10-2P
	6	30	90	1.1	1.8	PV-6A10F	PV-6A10-T	PV-6A10-1P	PV-6A10-2P
	8	3	32	1.2	2.1	PV-8A10F	PV-8A10-T	PV-8A10-1P	PV-8A10-2P
	10	7	70	1.2	2.3	PV-10A10F	PV-10A10-T	PV-10A10-1P	PV-10A10-2P
	12	12	120	1.5	2.7	PV-12A10F	PV-12A10-T	PV-12A10-1P	PV-12A10-2P
	15	22	220	1.7	2.9	PV-15A10F	PV-15A10-T	PV-15A10-1P	PV-15A10-2P
	20	34	350	2.1	3.6	PV-20A10F	PV-20A10-T	PV-20A10-1P	PV-20A10-2P

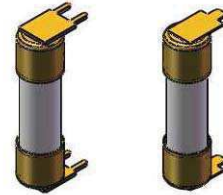
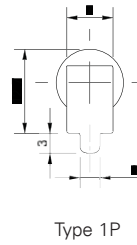
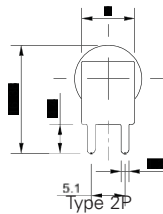
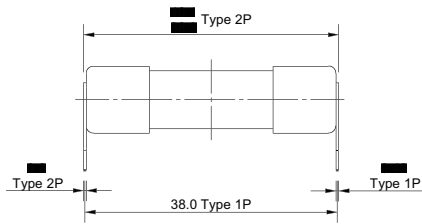
10 x 38 mm, PV-10F

1000 V d.c. (IEC/UL), 1 to 20 A

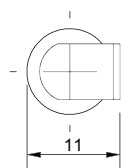
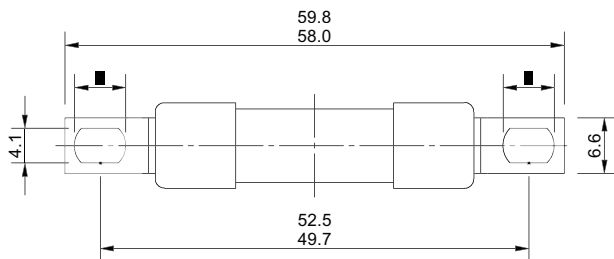
Dimensions - mm



Cylindrical PV-A10F**



PCB Fixing PV-A10-1P**



Bolt Fixing PV-A10-T**

Data sheet: 720110

14 x 51 mm, PV-14F

1000 and 1100 V d.c. (IEC/UL), 15 to 32 A

Specifications

Description

A range of fuse links in a 14 x 51 mm package specifically designed for the protection and isolation of photovoltaic strings. The fuse links are capable of interrupting low overrated currents associated with faulted PV (reverse rated current, multi-array fault).

Technical data

Rated voltage:

- 1100 V d.c. (IEC and UL, 15 and 20 A)
- 1000 V d.c. (IEC and UL, 25 and 32 A)

Rated current: 15-32 A

Breaking capacity: 30 kA

Operating class: gPV and UL PV fuse links

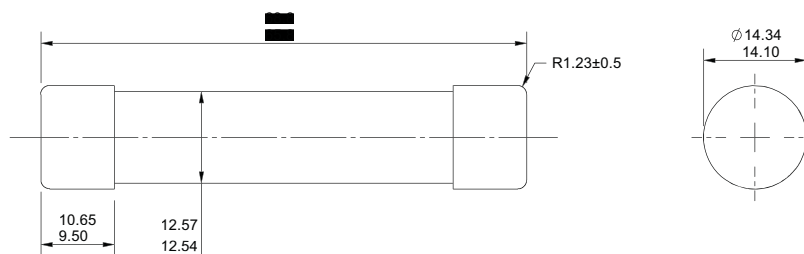
Standards / Agency information

IIEC 60269-6, UL Recognised 2579 (File number E335324), RoHS compliant. Pending: CCC.



Rated voltage	Rated current (Amps)	I ² t (A ² Sec)		Watts loss (W)		Catalogue numbers
		Pre-arcing	Total at rated voltage	0.8 I _n	I _n	
1100 V d.c. (IEC/UL)	15	14	270	2.1	4	PV-15A14F
	20	27	570	2.9	5.5	PV-20A14F
1000 V d.c. (IEC/UL)	25	65	950	2.8	5.3	PV-25A14F
	32	120	1750	4	7.5	PV-32A14F

Dimensions - in (mm)



14 x 65 mm, PV-14L

1300-1500 V d.c. (IEC and UL), 15 to 32 A

Specifications

Description

A range of fuse links in a 14 x 65 mm package specifically designed for the protection and isolation of photovoltaic strings. The fuse links are capable of interrupting low overrated currents associated with faulted PV (reverse rated current, multi-array fault).

Technical data

Rated voltage:

- 1500 V d.c. (IEC and UL, 15 and 20 A)
- 1300 V d.c. (IEC and UL, 25 and 32 A)

Rated current: 15-32 A

Breaking capacity: 10 kA

Operating class: gPV and UL PV fuse links

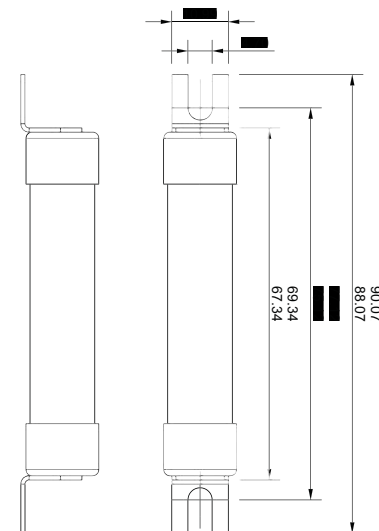
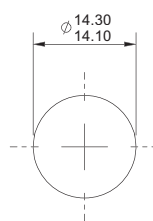
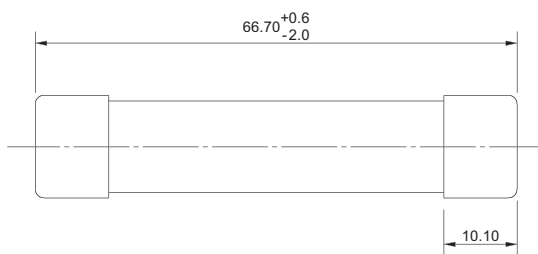


Standards / Agency information

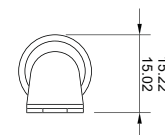
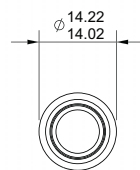
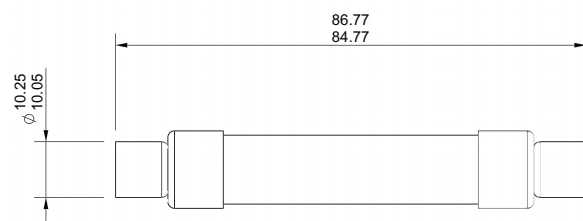
IEC 60269-6, UL Recognised 2579 (File number E335324), RoHS compliant, Pending: CCC.

Rated voltage	Rated current (Amps)	I ² t (A ² Sec)		Watts loss (W)		Catalogue numbers		
		Pre-arcing	Total at rated voltage	0.8 I _n	I _n	Cylindrical	Cylindrical with tags	Cylindrical with 10mm fixings
1500 V d.c. (IEC/UL)	15	14	160	3.2	5.8	PV-15A14LF	PV-15A14L-T	PV-15A14LF10F
	20	34	400	3.6	6.5	PV-20A14LF	PV-20A14L-T	PV-20A14LF10F
1300 V d.c. (IEC/UL)	25	65	550	4.1	7.5	PV-25A14LF	PV-25A14L-T	PV-25A14LF10F
	32	105	900	5.7	10.4	PV-32A14LF	PV-32A14L-T	PV-32A14LF10F

Dimensions - mm



Cylindrical PV-(amp rating)A14LF



Cylindrical with 10mm Fixings PV-(amp rating)A14LF10F

Data sheet: 720139

Cylindrical with Tags PV-(amp rating)A14L-T

NH, PV-ANH

1000 V d.c. (IEC/UL), 32 to 400 A

Specifications

Description

A range of NH size bladed fuse links specifically designed for protecting and isolating photovoltaic array combiners and disconnects. These fuse links are capable of interrupting low overrated currents associated with faulted PV systems (reverse rated current, multi-array fault).

Technical data

Rated voltage:	1000 V d.c. (IEC and UL)
Rated current:	32-400 A
Breaking capacity:	50 kA
Operating class:	gPV and UL PV fuse links

Standards / Agency information

IEC 60269-6, UL Recognised file 2579 E335324 for size 1 only, RoHS compliant

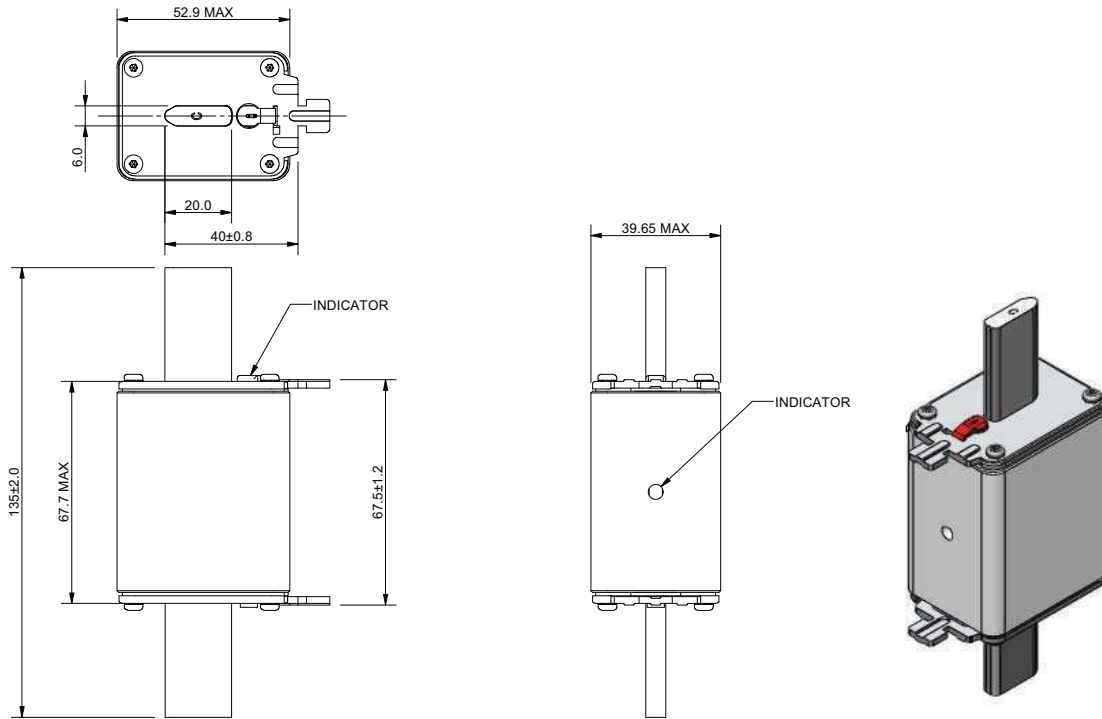


Fuse link body size	Rated voltage	Rated current (Amps)	I ² t (A ² Sec)		Watts loss (W)		Catalogue numbers		
			Pre-arcing	Total at 1000 V d.c.	0.8 I _n	I _n	Blade without bolt holes	Blade with bolt holes	Blade with bolt holes and lugs
NH1	1000 V d.c. (IEC/UL)	32	80	720	4	8	PV-32ANH1		
		40	185	1670	5	9	PV-40ANH1		
		50	400	3600	6	11	PV-50ANH1		
		63	470	4300	6	12	PV-63ANH1		
		80	640	5760	8	15	PV-80ANH1		
		100	1300	11700	8	16	PV-100ANH1		
		125	2600	23400	9	17	PV-125ANH1		
		160	5200	46800	14	27	PV-160ANH1		
NH2	1000 V d.c. (IEC/UL)	200	10200	82000	13	25	PV-200ANH1		
		160	4600	37000	14	28	PV-160ANH2		
		200	9500	76000	16	32	PV-200ANH2		
		250	17000	136000	19	38	PV-250ANH2		
NH3	1000 V d.c. (IEC/UL)	300	32000	260000	24	40	PV-300ANH3		
		315	32000	260000	26	44	PV-315ANH3		
		350	44500	370000	27	45	PV-350ANH3		
		355	44500	370000	28	46	PV-355ANH3		
NH1	1000 V d.c. (IEC/UL)	400	67500	550000	30	50	PV-400ANH3		
		63	470	4300	6	12	PV-63ANH1-B	PV-63ANH1-BL	
		80	640	5760	8	15	PV-80ANH1-B	PV-80ANH1-BL	
		100	1300	11700	8	16	PV-100ANH1-B	PV-100ANH1-BL	
		125	2600	23400	9	17	PV-125ANH1-B	PV-125ANH1-BL	
		160	5200	46800	14	27	PV-160ANH1-B	PV-160ANH1-BL	
NH2	1000 V d.c. (IEC/UL)	200	10200	82000	13	25	PV-200ANH1-B	PV-200ANH1-BL	
		160	4600	37000	14	28	PV-160ANH2-B	PV-160ANH2-BL	
		200	9500	76000	16	32	PV-200ANH2-B	PV-200ANH2-BL	
		250	17000	136000	19	38	PV-250ANH2-B	PV-250ANH2-BL	
NH3	1000 V d.c. (IEC/UL)	315	32000	260000	26	44	PV-315ANH3-B	PV-315ANH3-BL	
		355	38000	310000	29	48	PV-355ANH3-B	PV-355ANH3-BL	
		400	61000	490000	32	50	PV-400ANH3-B	PV-400ANH3-BL	

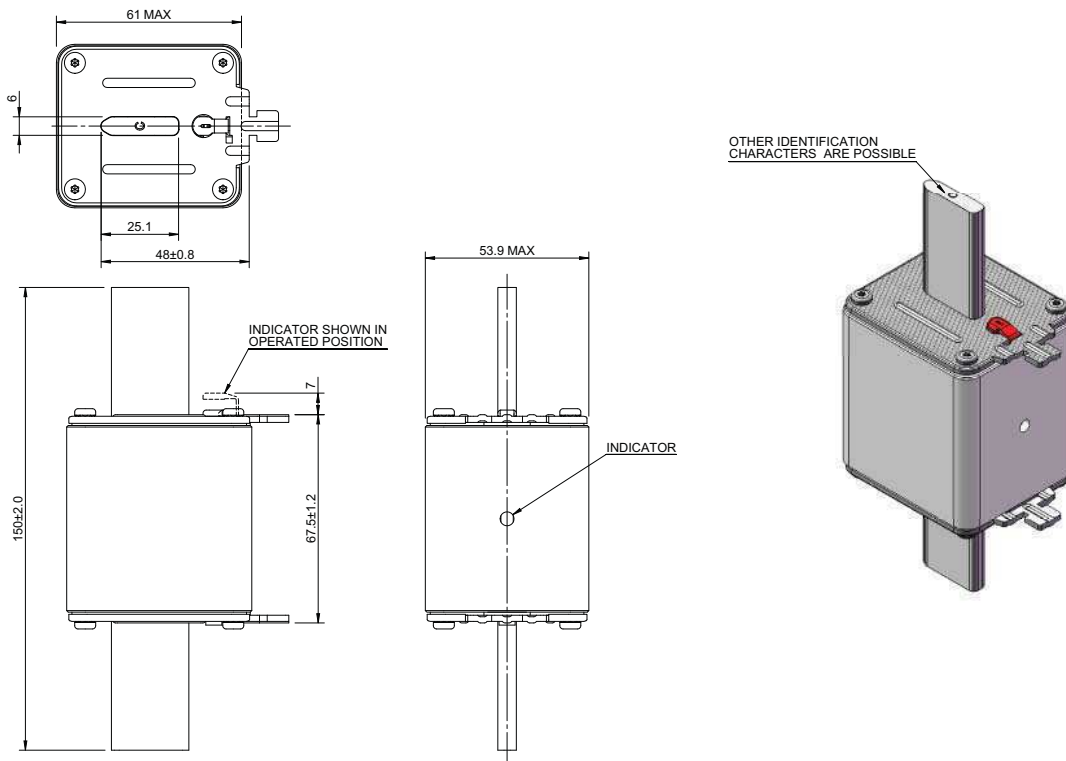
NH, PV-ANH

1000 V d.c. (IEC/UL), 32 to 400 A

Dimensions - Blade without bolt holes - mm



NH Size 1



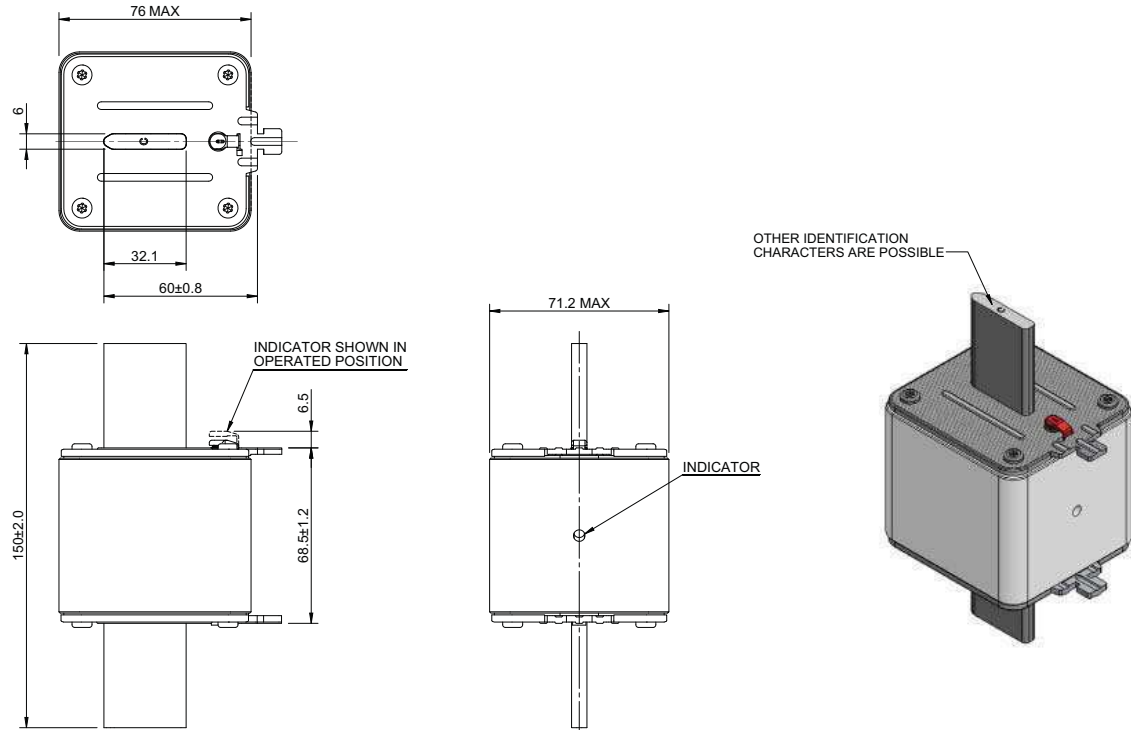
NH Size 2

Data sheet: 720133

NH, PV-ANH

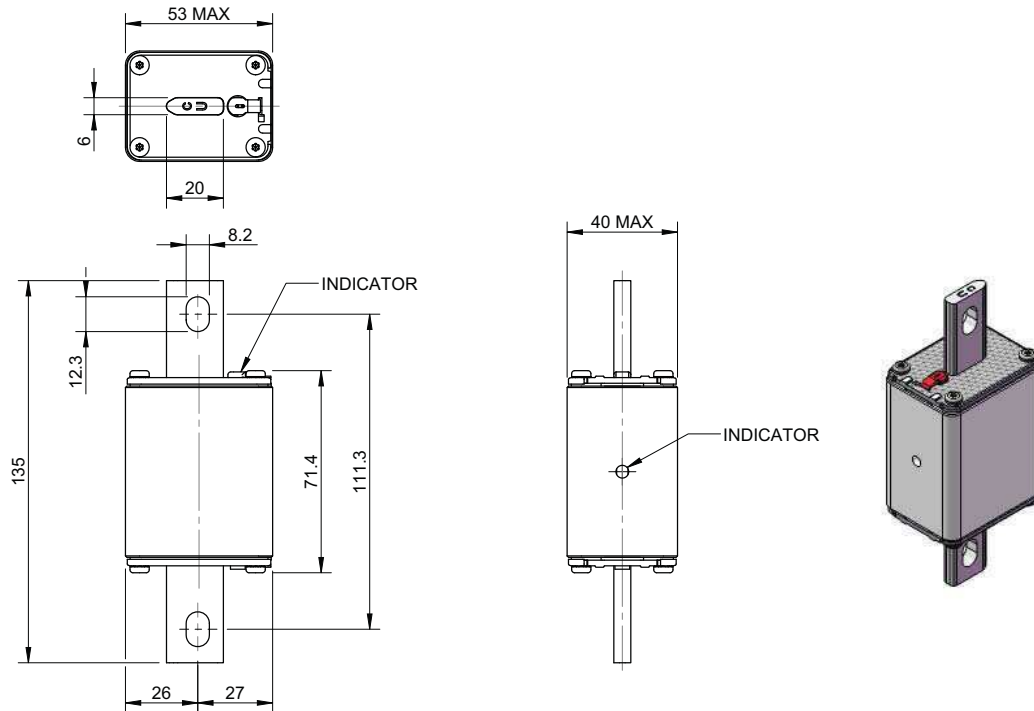
1000 V d.c. (IEC/UL), 32 to 400 A

Dimensions - Blade without bolt holes - mm



NH Size 3

Dimensions - Blade with bolt holes - mm



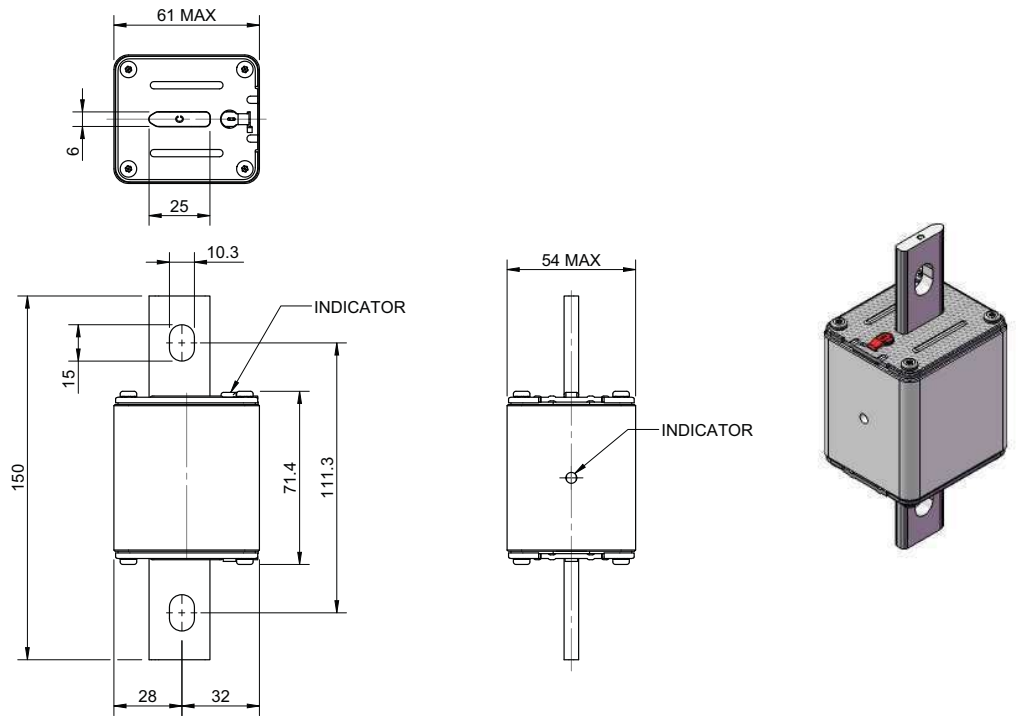
NH Size 1

Data sheet: 720133

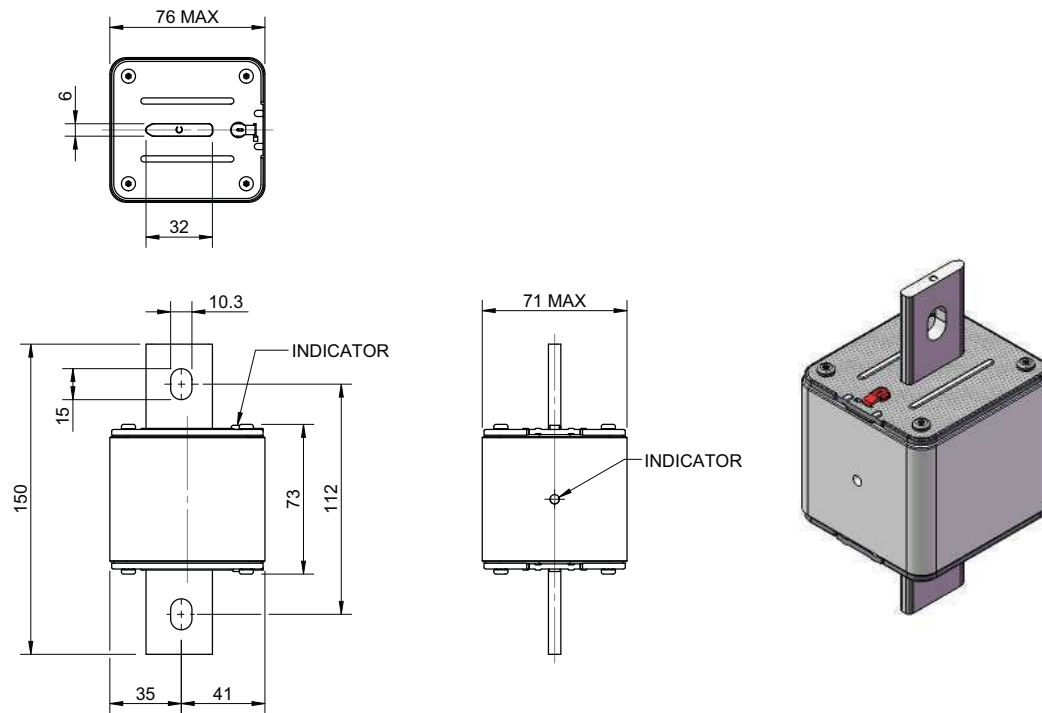
NH, PV-ANH

1000 V d.c. (IEC/UL), 32 to 400 A

Dimensions - Blade with bolt holes - mm



NH Size 2



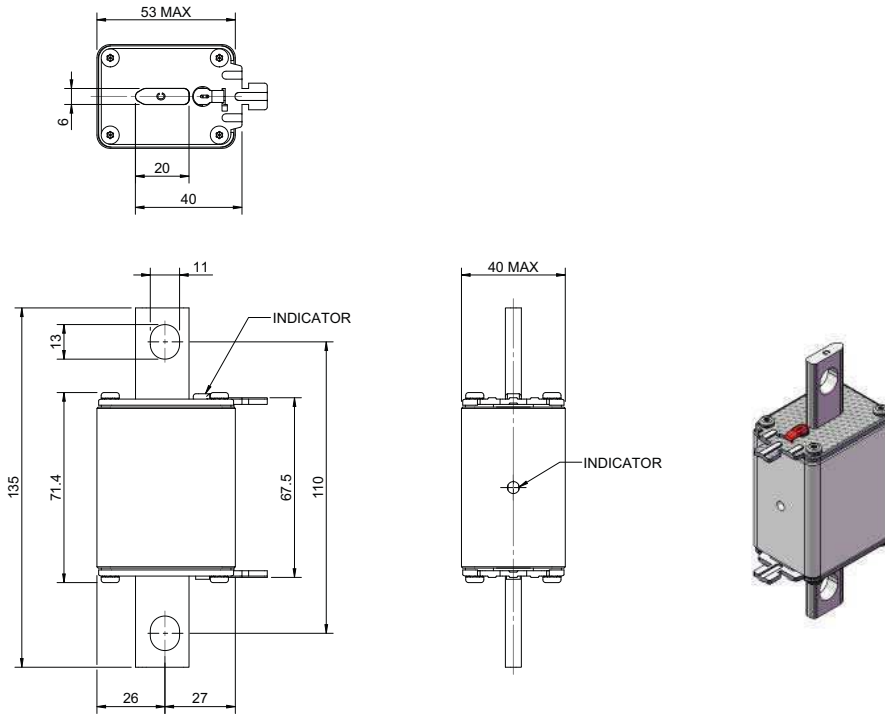
NH Size 3

Data sheet: 720133

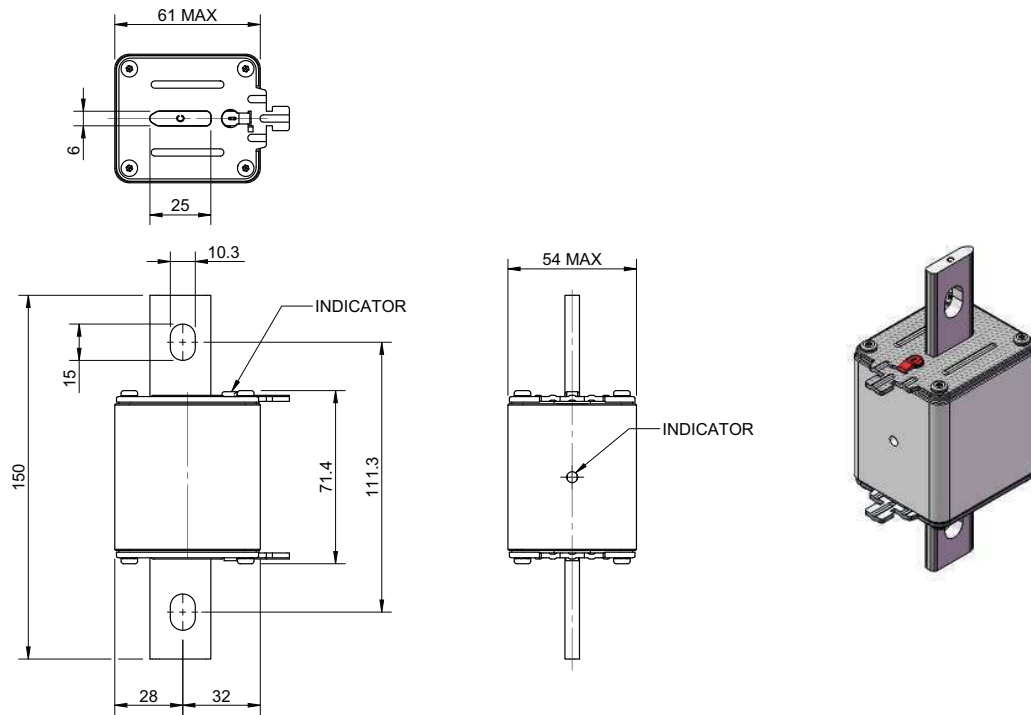
NH, PV-ANH

1000 V d.c. (IEC/UL), 32 to 400 A

Dimensions - Blade with bolt holes and lugs - mm



NH Size 1



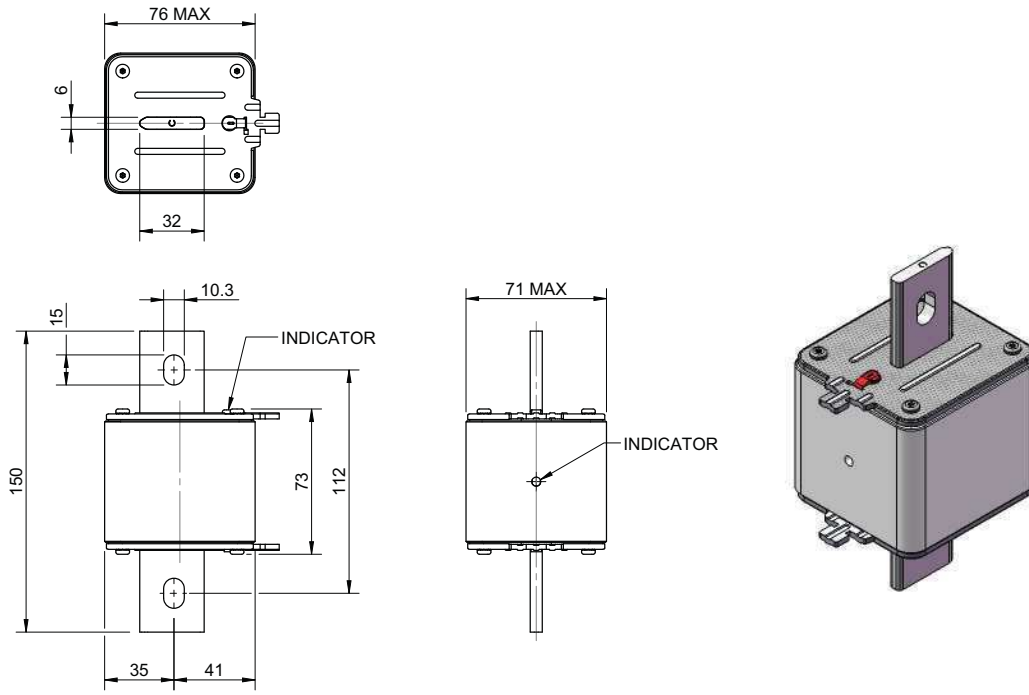
NH Size 2

Data sheet: 720133

NH, PV-ANH

1000 V d.c. (IEC/UL), 32 to 400 A

Dimensions - Blade with bolt holes and lugs - mm



NH Size 3

Flush end, PV-AF

1000 V d.c. (IEC/UL), 160 to 400 A

Specifications

Description

A range of flush end fuse links specifically designed for protecting and isolating photovoltaic array combiners and disconnects. These fuse links are capable of interrupting low overrated currents associated with faulted PV systems (reverse rated current, multi-array fault).

Technical data

Rated voltage: 1000 V d.c. (IEC and UL)

Rated current: 160-400 A

Breaking capacity: 50 kA

Operating class: gPV and UL PV fuse links

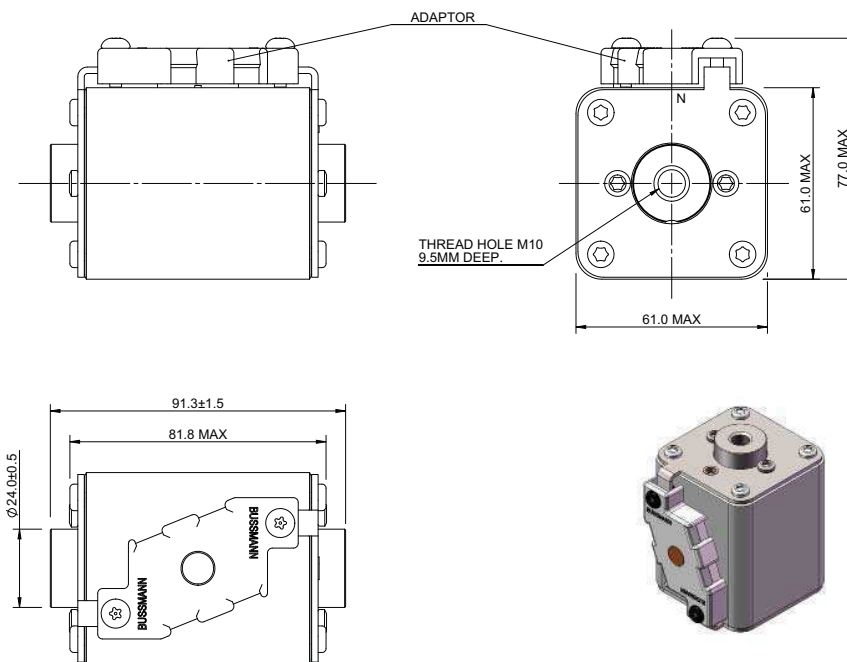


Standards / Agency information

IEC 60269-6, UL Recognised file 2579 E335324

Fuse link type	Fuse link body size	Rated voltage	Rated current (Amps)	I ² t (A ² Sec)		Watts loss (W)		Catalogue numbers
				Pre-arcing	Total at 1000 V d.c.	0.8 I _n	I _n	
Flush end	2	1000 V d.c. (IEC/UL)	160	4600	37,000	15	30	PV-160AF2
			200	9500	76,000	17	34	PV-200AF2
			250	17,000	136,000	19	38	PV-250AF2
			315	27,000	240,000	30	49	PV-315AF3
			355	37,000	350,000	31	51	PV-355AF3
			400	61,500	550,000	32	52	PV-400AF3

Dimensions - mm



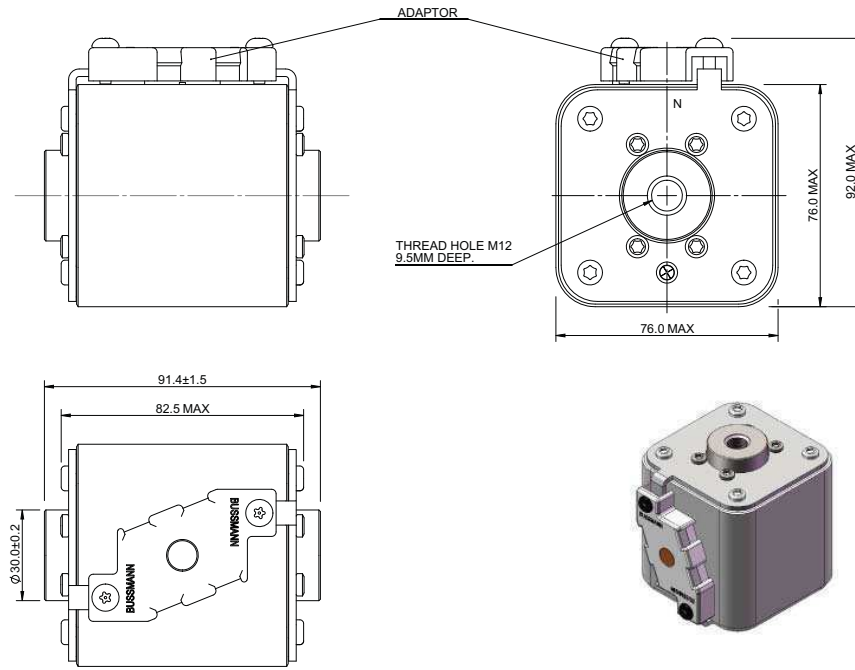
NH Size 2

Data sheet: 10370

Flush end, PV-AF

1000 V d.c. (IEC/UL), 160 to 400 A

Dimensions - mm



NH Size 3

XL Style, PV-XL

1000-1500 V d.c. (IEC/UL), 50 to 600 A

Specifications

Description

A range of XL package bladed fuse links specifically designed for protecting and isolating photovoltaic array combiners and disconnects. These fuse links are capable of interrupting low overrated currents associated with faulted PV systems (reverse rated current, multi-array fault).

Technical data

Rated voltage:

- 1000 V d.c. (IEC and UL 63 to 600 A)
- 1200 V d.c. (IEC and UL 160 A)
- 1500 V d.c. (IEC and UL 50 to 400 A)

Rated current: 50-600 A

Breaking capacity:

- Size 01 and 3: 50 kA at 1000 V d.c., 30 kA at 1500 V d.c.
- Size 1 and 2: 33 kA at 1000 V d.c., 30 kA at 1500 V d.c.

Operating class: gPV and UL PV fuse links

Standards / Agency information

IEC 60269-6, UL Recognised file 2579 E335324, RoHS compliant, pending: CCC.



Fuse link body size	Rated voltage	Rated current (Amps)	I²t (A² Sec)		Watts loss (W)		Catalogue numbers	
			Pre-arcing	Total at 1000 V d.c.	0.8 I _n	I _n	Bladed version	Bolted version
01	1000 V d.c. (IEC/UL)	63	260	1900	13	24	PV-63A-01XL	PV-63A-01XL-B
		80	490	3600	17	29	PV-80A-01XL	PV-80A-01XL-B
		100	870	6300	18	32	PV-100A-01XL	PV-100A-01XL-B
		125	1930	13,900	20	40	PV-125A-01XL	PV-125A-01XL-B
		160	3900	28,100	22	44	PV-160A-01XL	PV-160A-01XL-B
1	1000 V d.c. (IEC/UL)	200	9400	27,260	31	60	PV-200A-1XL	PV-200A-1XL-B
		160	2780	21,000	25	44	PV-160A-2XL	PV-160A-2XL-B
		200	4950	37,000	28	50	PV-200A-2XL	PV-200A-2XL-B
2	1000 V d.c. (IEC/UL)	250	9450	70,000	34	60	PV-250A-2XL	PV-250A-2XL-B
		315	16,600	123,000	40	66	PV-315A-2XL	PV-315A-2XL-B
		355	26,000	192,000	42	68	PV-355A-2XL	PV-355A-2XL-B
		350	31,000	161,200	40	65	PV-350A-3L	PV-350A-3L-B
3	1000 V d.c. (IEC/UL)	400	44,500	231,400	48	82	PV-400A-3L	PV-400A-3L-B
		500	85,000	442,000	50	85	PV-500A-3L	PV-500A-3L-B
		600	137,000	712,400	80	108	PV-600A-3L	PV-600A-3L-B

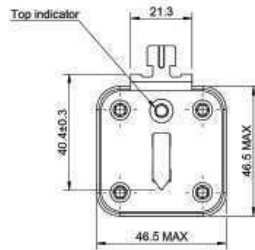
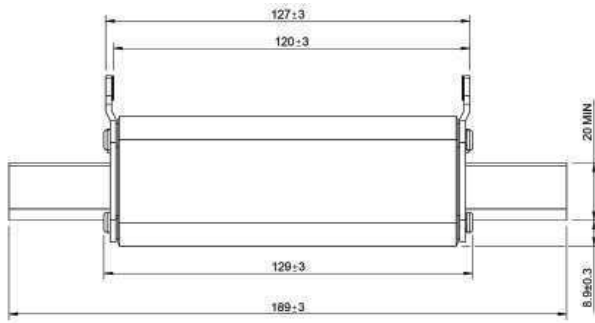
XL Style, PV-XL

1000-1500 V d.c. (IEC/UL), 50 to 600 A

Fuse link body size	Rated voltage	Rated current (Amps)	I ² t (A ² Sec)		Watts loss (W)		Catalogue numbers — 1500 V d.c. ¹	
			Pre-arcing	Total at 1500 V ¹	0.8 I _n	I _n	Bladed version	Bolted version
01	1500 V d.c. (IEC/UL)	50	175	1000	14	25	PV-50 A-01XL-15	PV-50 A-01XL-B-15
		63	362	2250	15	26	PV-63A-01XL-15	PV-63A-01XL-B-15
		80	565	3300	19	35	PV-80 A-01XL-15	PV-80 A-01XL-B-15
		100	1100	6600	22	40	PV-100 A-01XL-15	PV-100 A-01XL-B-15
		125	2200	10,500	23	42	PV-125A-01XL-15	PV-125A-01XL-B-15
1	1200 V d.c. (IEC/UL)	160	5000	24,000 ¹	26	52	PV-160 A-01XL-12	PV-160 A-01XL-B-12
		100	1250	6000	24	43	PV-100 A-1XL-15	PV-100 A-1XL-B-15
		125	1950	9360	25	52	PV-125A-1XL-15	PV-125A-1XL-B-15
1	1500 V d.c. (IEC/UL)	160	4200	20,160	30	58	PV-160 A-1XL-15	PV-160 A-1XL-B-15
		200	9400	45,120	31	61	PV-200 A-1XL-15	PV-200 A-1XL-B-15
		125	2200	15,000	25	44	PV-125A-2XL-15	PV-125A-2XL-B-15
2	1500 V d.c. (IEC/UL)	160	5000	32,000	29	48	PV-160 A-2XL-15	PV-160 A-2XL-B-15
		200	8800	51,000	32	57	PV-200 A-2XL-15	PV-200 A-2XL-B-15
		250	16,600	85,000	40	70	PV-250 A-2XL-15	PV-250 A-2XL-B-15
3	1500 V d.c. (IEC/UL)	250	22,300	92,000	32	50	PV-250 A-3L-15	PV-250 A-3L-B-15
		315	38,000	160,000	36	66	PV-315A-3L-15	PV-315A-3L-B-15
		355	44,500	184,000	44	80	PV-355A-3L-15	PV-355A-3L-B-15
		400	58,000	240,000	49	91	PV-400 A-3L-15	PV-400 A-3L-B-15

¹1200 V d.c. for 160 A.

Dimensions - mm



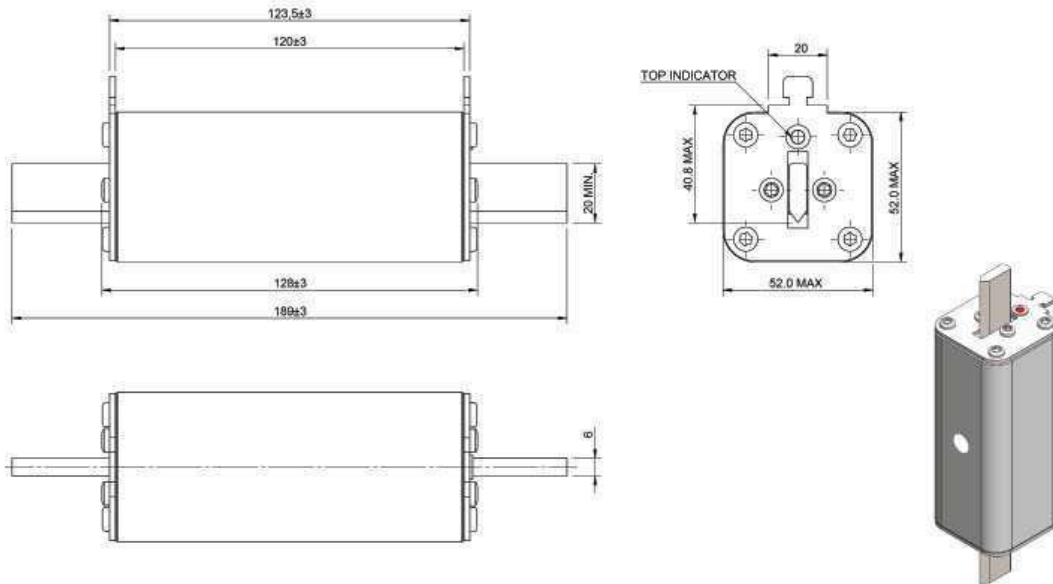
Bladed - size 01

Data sheet: 720134

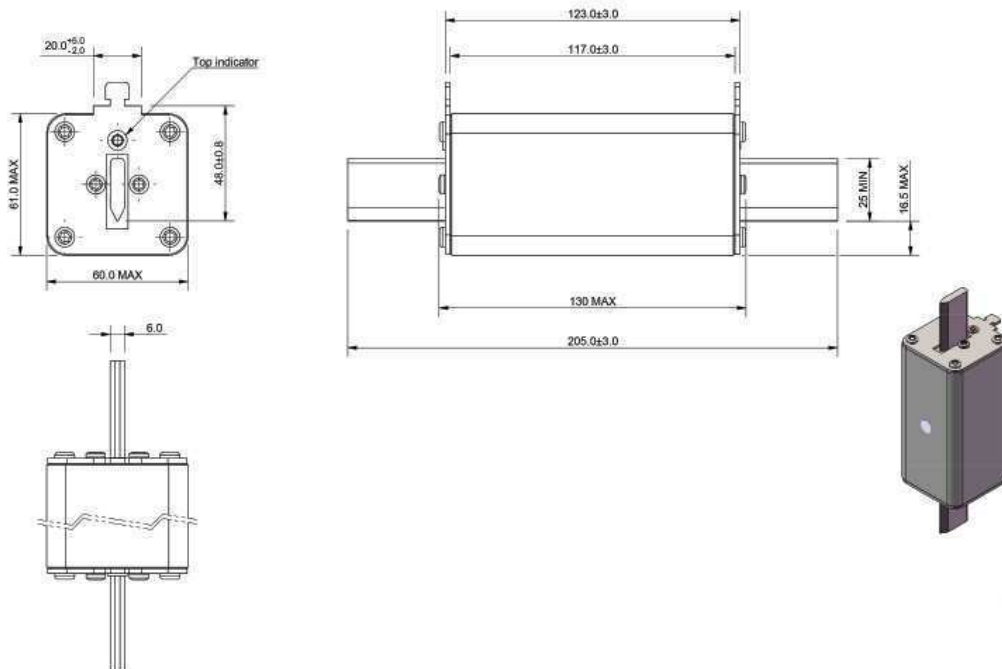
XL Style, PV-XL

1000-1500 V d.c. (IEC/UL), 50 to 600 A

Dimensions - mm



Bladed - size 1

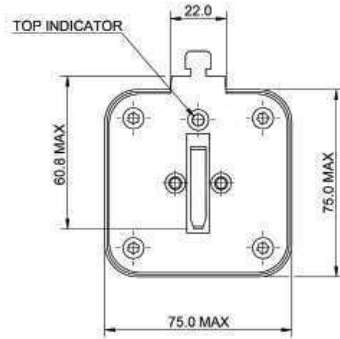
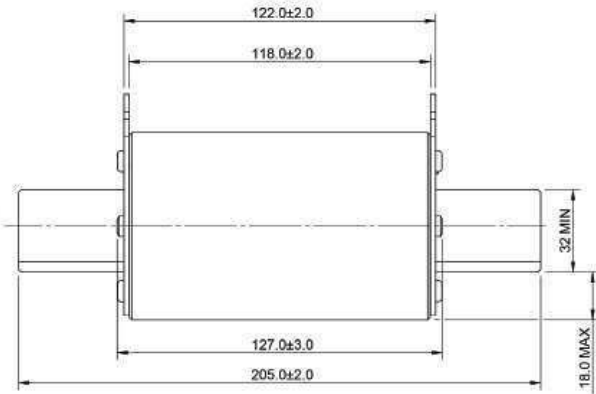


Bladed - size 2

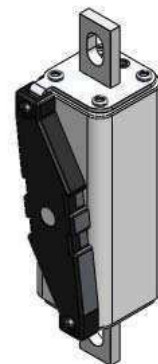
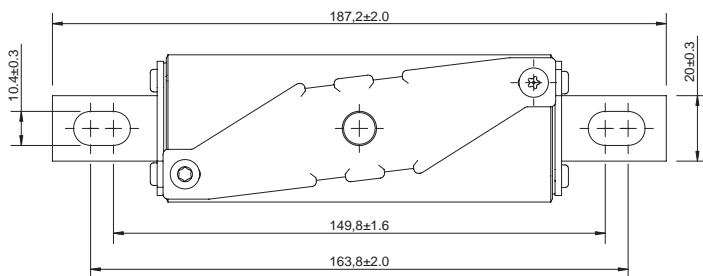
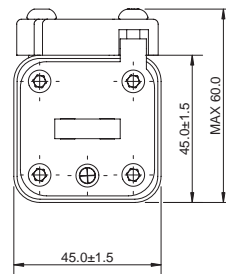
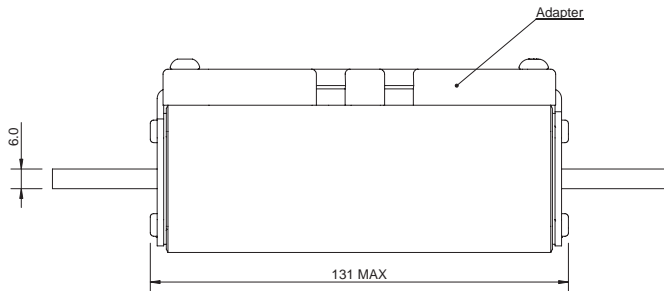
XL Style, PV-XL

1000-1500 V d.c. (IEC/UL), 50 to 600 A

Dimensions - mm



Bladed - size 3



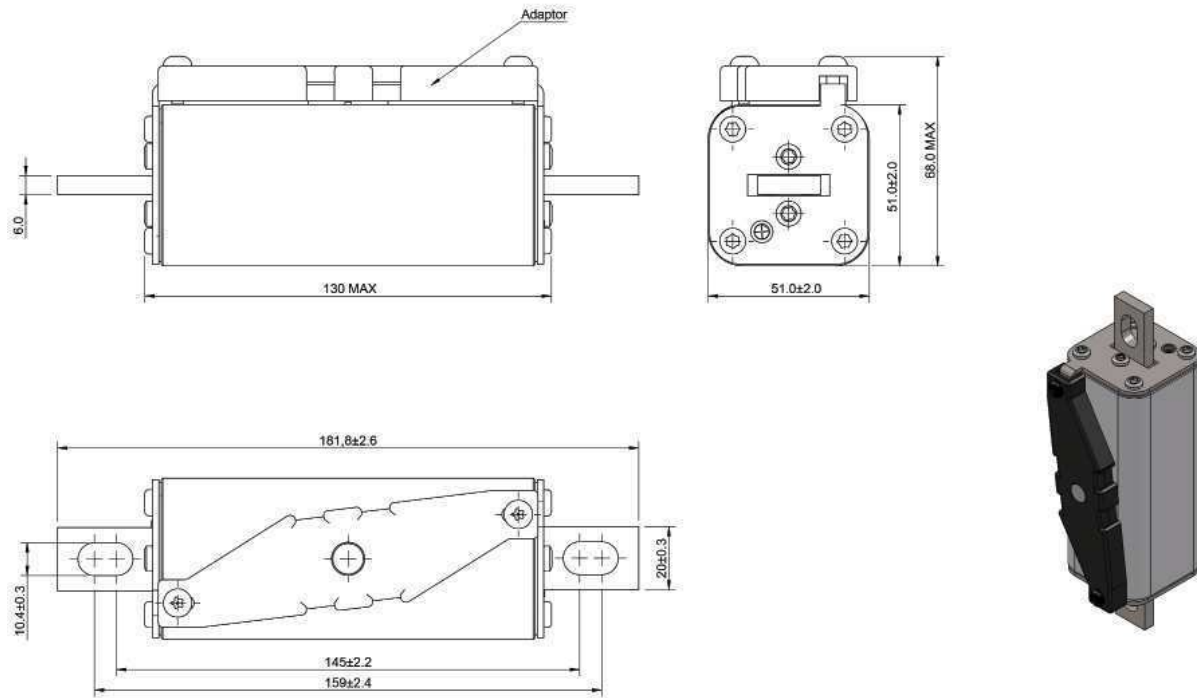
Bolted - Size 01

Data sheet: 720134

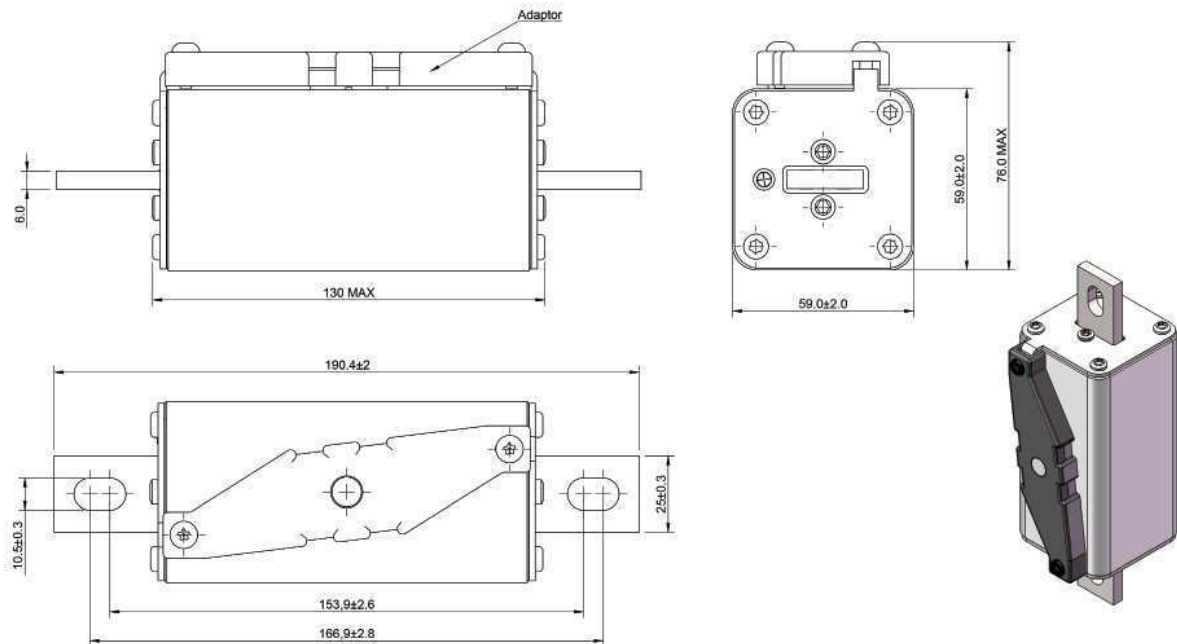
XL Style, PV-XL

1000-1500 V d.c. (IEC/UL), 50 to 600 A

Dimensions - mm



Bolted - Size 1



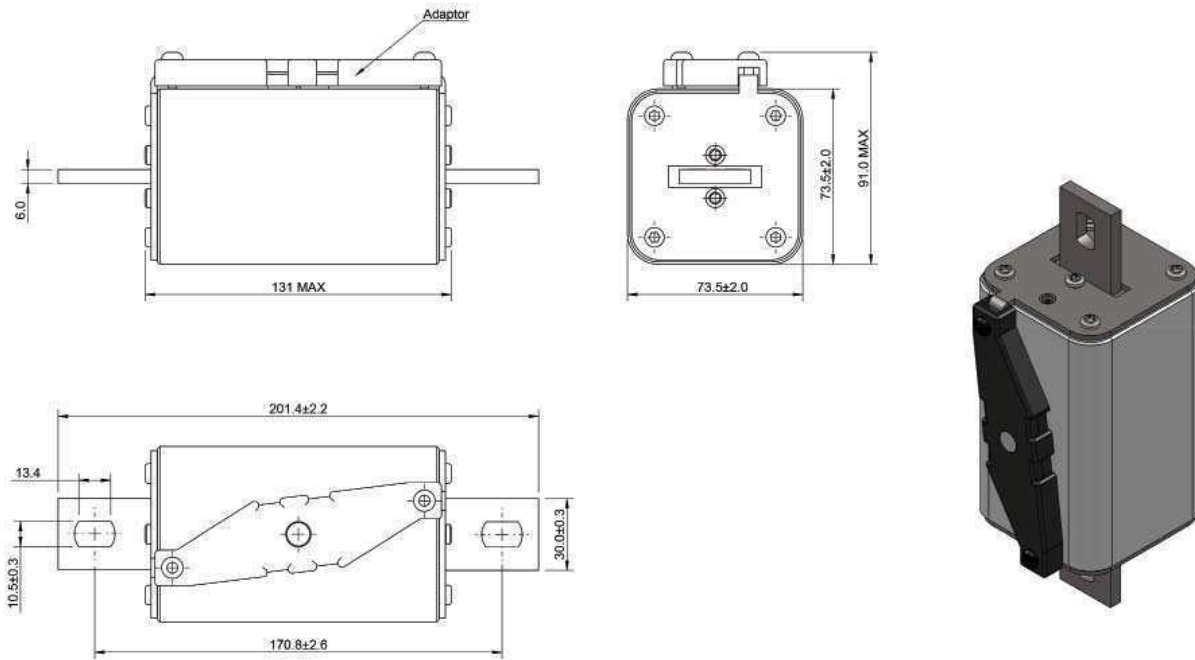
Bolted - Size 2

Data sheet: 720134

XL Style, PV-XL

1000-1500 V d.c. (IEC/UL), 50 to 600 A

Dimensions - mm



Bolted - Size 3

Fuse bases for North American, British and square body fuse links

Modular style

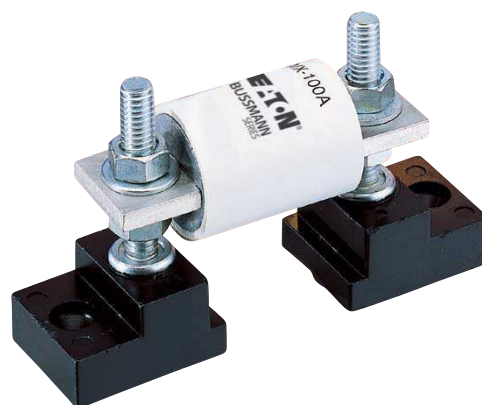
Description

Eaton's Bussmann series offers a comprehensive line of fuse bases that provide the user with design and manufacturing flexibility. Two identical half bases make up a Bussmann series modular fuse base. These 'split' units can be panel mounted any distance apart to accommodate any length fuse.

1 - Stud type

The simpler design is the C5268 modular fuse base. With this design, the fuse terminal and cable (with termination) are mounted on the same stud, minimizing labor needed for installation. The stud type base is available in the configurations shown in the table below.

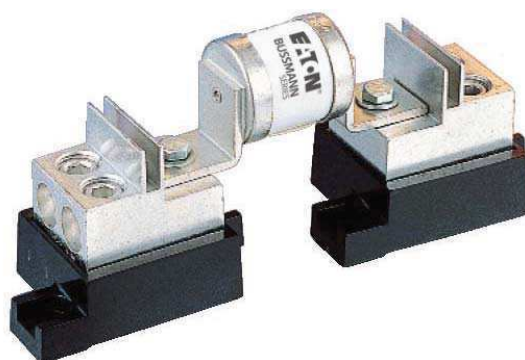
Catalogue numbers	Max fuse amp rating	Stud height (in)	Stud dia. & threads
C5268-1	200	1	5/16"-18
C5268-2	200	1.75	5/16"-18
C5268-3	200	0.75	5/16"-18
C5268-4	100	1	1/4"-20
C5268-5	100	1.75	1/4"-20



2 - Connector Type

Eaton's Bussmann series also offers a modular style fuse base that utilizes a tin-plated connector for wire termination and heat dissipation) and a plated-steel stud (for fuse mounting). The connector type fuse base is available in the configurations shown below. Consult Eaton's Bussmann business for additional product details.

Catalogue numbers	Max rated voltage	Max fuse Amp rating
1BS101	600	100
1BS102	600	400
1BS103	600	400
1BS104	600	600



3 - BH

BH fuse blocks provide a wide range of mounting configurations for Bussmann High Speed semi-conductors fuse links. BH fuse blocks have a Short-Circuit rated current rating of any installed fuse up to 200 kA RMS Sym.

Catalogue numbers	Max rated voltage	Max fuse Amp rating
BH-0	700	100
BH-1	2500	400
BH-2	5000	600
BH-3	1250	700



Data sheets: 1200 (BH-0), 1201 (BH-1), 1202 (BH-2), 1203 (BH-3), 1206 (1BS101), 1207 (1BS102), 1208 (1BS103), 1209 (1BS104)

Fuse bases for square body fuse links

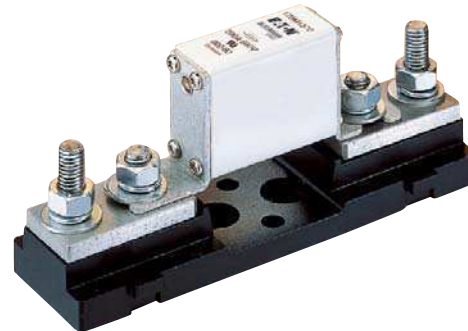
Fixed center fuse bases for DIN 43653 fuse links

Description

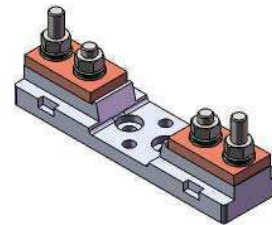
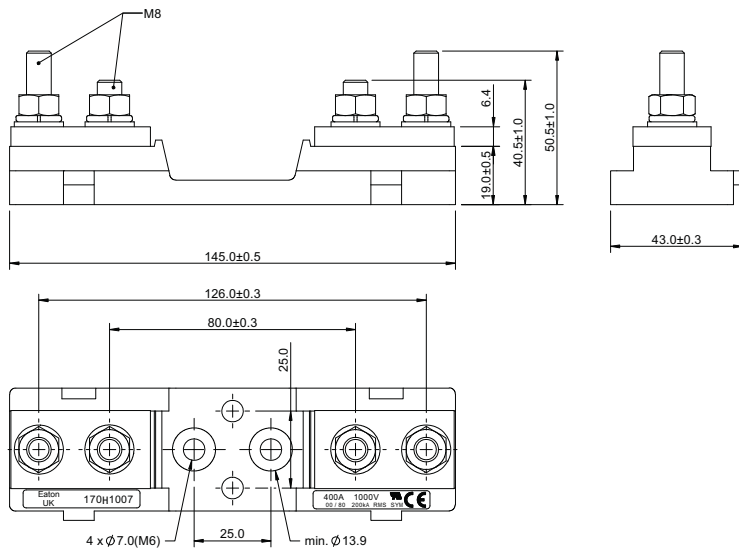
Fuse bases (blocks) to be used with DIN 43653 square body fuse links with centre distances of 80 and 110mm. Available for sizes 000, 00, 1*, 1, 2 and 3.

Sizes 000 to 00 Fuse bases

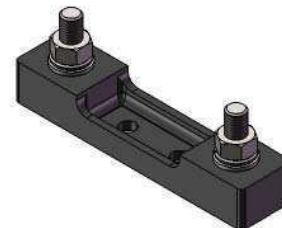
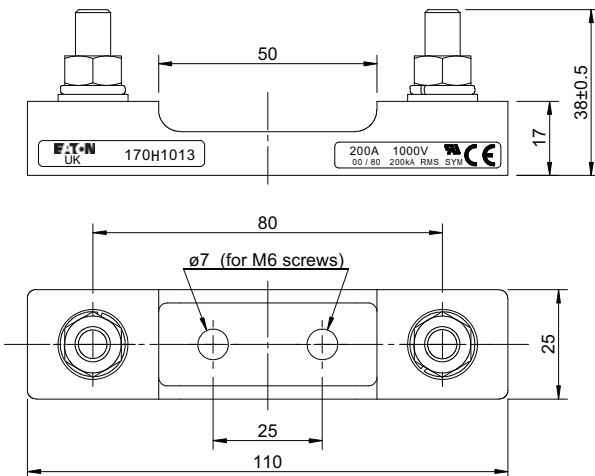
Catalogue numbers	Max rated voltage (Volts)	Max fuse Amp rating (Amps)	Centre distance (mm)	Fuse sizes
170H1007	1000	400	80	00, 000
170H1013	690	200	80	0000, 000



Dimensions - mm



170H1007



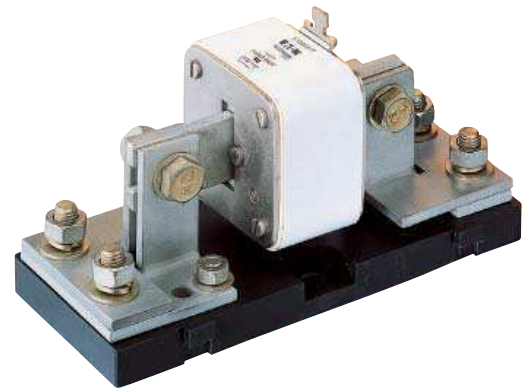
170H1013

Fuse bases for square body fuse links

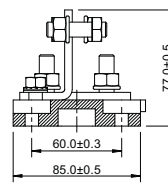
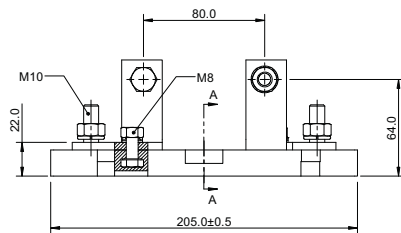
Fixed center fuse bases for DIN 43653 fuse links

Sizes 1* to 3

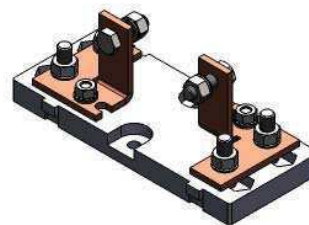
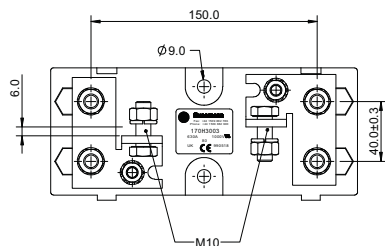
Catalogue numbers	Max rated voltage (Volts)	Max fuse Amp rating (Amps)	Centre distance (mm)
170H3003	1000	630	80
170H3004	1000	1250	80
170H3005	1400	630	110
170H3006	1400	1250	110



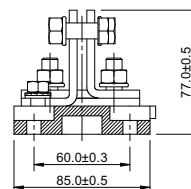
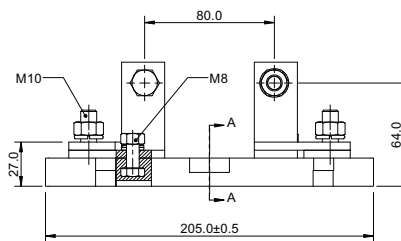
Dimensions - mm



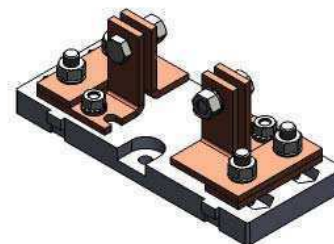
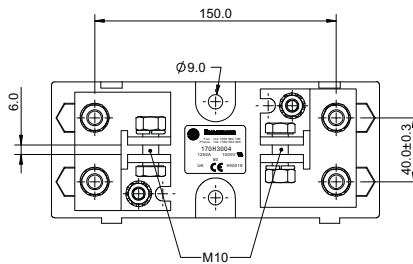
SECTION A-A



170H3003



SECTION A-A

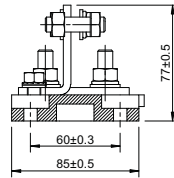
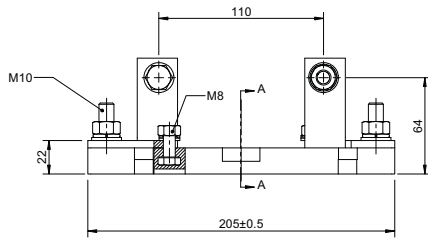


170H3004

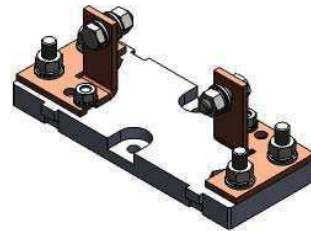
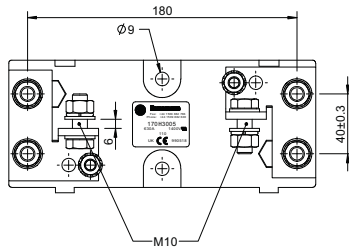
Fuse bases for square body fuse links

Fixed center fuse bases for DIN 43653 fuse links

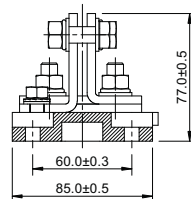
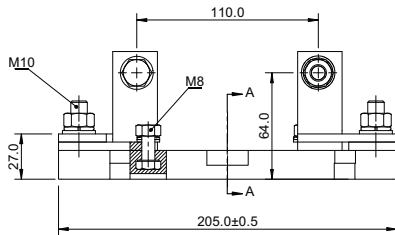
Dimensions - mm



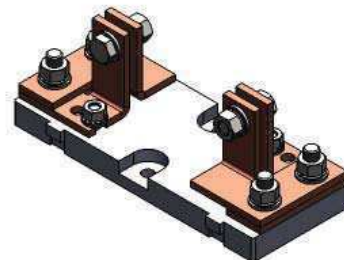
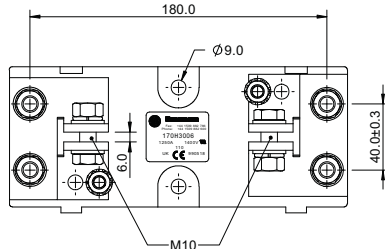
SECTION A-A



170H3005



SECTION A-A



170H3006

Fuse links with higher current ratings than 1250 A can be used with 170H3004 or 170H3006 if the maximum load current is derated according to the table below.

Fuse amp rating	Max. Amp load in fuse base
1400	1325
1500	1400
1600	1500
1800	1650
2000	1800

NH fuse bases for NH style photovoltaic fuse links

1500 V d.c. (IEC), 1000 V d.c. (UL/CSA)

250 to 630 A, sizes 1 to 3

Description

Sizes 1 to 3 NH Fuse bases specifically designed for use with the Bussmann series range of NH PV (Photovoltaic) fuse links.

Technical data

Rated voltage:

- 1500 V d.c. (IEC)
- 1000 V d.c. (UL/CSA)

Rated current:

- 250 A (SD1)
- 400 A (SD2)
- 630 A (SD3)

Fuse base size: 1 to 3

Compatible fuse links: PV-(amps)ANH(size), see pages 111-116

Standards / Agency information

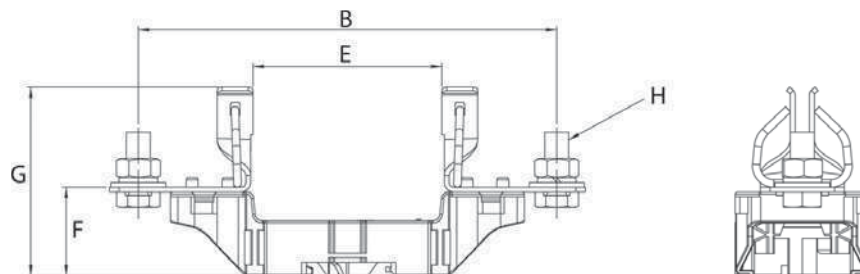
IEC 60269-1, UL Listed - UL File #E348242, CSA file #47235

Accessories:

Microswitches - 170H0236 or 170H0238, BVL50
IP20 Finger-Safe Protection Kit - TD1-IP20, TD2-IP20, TD3-IP20.



Dimensions - mm



1-pole, Sizes 1, 2 and 3

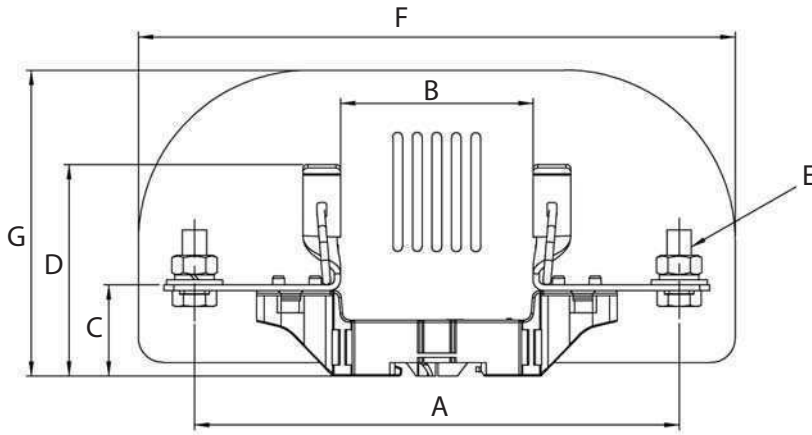
Catalogue numbers	Poles/Type	A	B	C	D	E	F	G	H	I	J	K
SD1-D-PV	1-pole	199	175	56	35	79	37	78	M10x25	25	10	30
SD2-D-PV	1 pole	224	199	56	35	79	37.5	86	M10x25	25	10	30
SD3-D-PV	1-pole	239	209	56	36	82	37.5	88	M12x30	25	10	30

Data sheet: 720149

1500 V d.c. (IEC), 1000 V d.c. (UL/CSA)

250 to 630 A, sizes 1 to 3

Dimensions - mm



With phase barriers 1-pole sizes 1, 2 and 3

Catalogue numbers	Poles/Type	A	B	C	D	E	F	G
SD1-D-PV	1-pole	175	79	37	78	M10x25	245	125.5
SD2-D-PV	1 pole	199	79	37.5	86	M10x25	245	125.5
SD3-D-PV	1-pole	209	82	37.5	88	M12x30	260	137.5

XL fuse bases for XL style photovoltaic fuse links

1500 V d.c. (IEC), 250 to 630 A, sizes 1 to 3

Description

Sizes 1 to 3 XL Fuse bases specifically designed for use with the Bussmann series range of XL PV (Photovoltaic) fuse links.

Technical data

Rated voltage: 1500 V d.c. (IEC)
 Rated current: 250 to 630 A
 Fuse base size: 1 to 3
 Compatible fuse links: PV XL see pages 119-124

Standards / Agency information

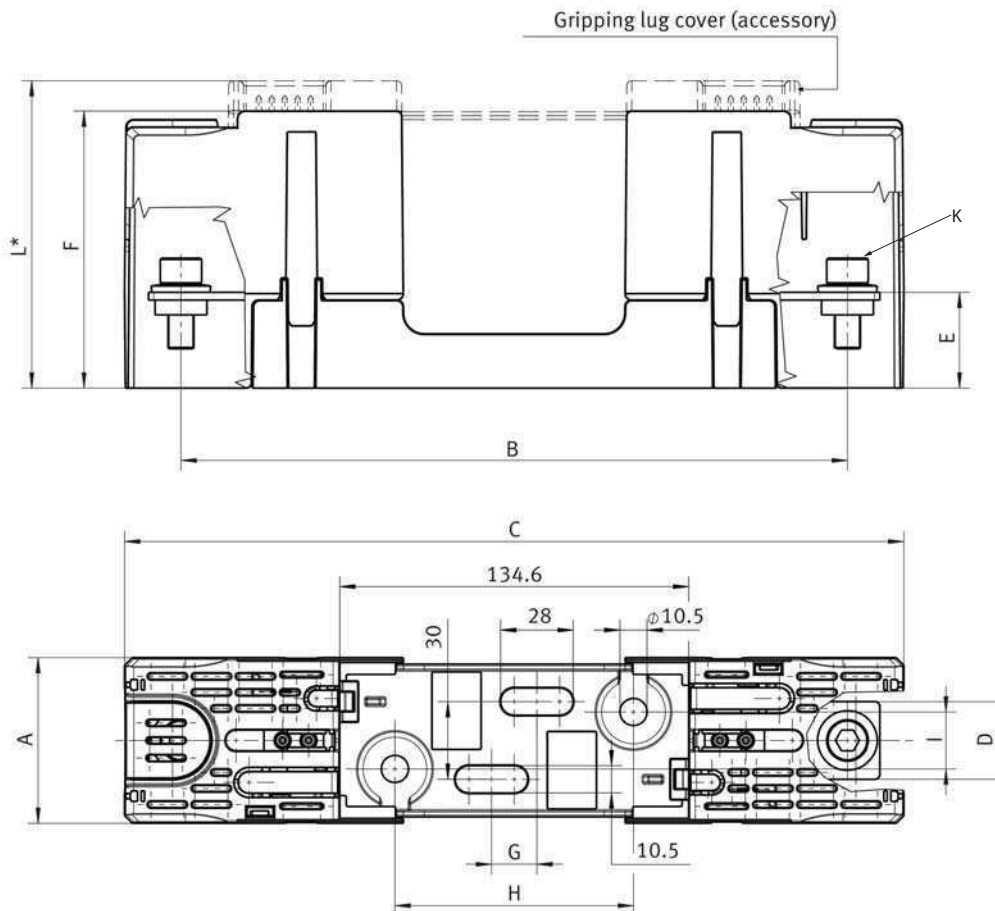
IEC 60269-1

Accessories:

Fuse extraction handle available in sizes 01XL to 3L
 Part numbers: FEH1500
 Unit packing: 1



Dimensions - mm



Catalogue numbers	XL Style fuse link size	Maximum fuse rated current	Power acceptance	A	B	C	D	E	F	G	H	I	K	L
SB1XL-S	01XL, 1XL	250	56W	59	257	300.5	30	37	102.5	17.5	92	22	M10x25	111
SB2XL-S	2XL	400	70W	64	257	300.5	30	37	107	17.5	92	22	M10x25	119
SB3L-S	3L	630	96W	80	270	328	40	38	122.5	25	96	26	M12x30	134.5

Data sheet: 10066

Fuse bases for ferrule fuse links

BMM

600 V a.c. (UL), 30 A

Specifications

Description

Modular, open-style fuse blocks for cylindrical industrial fuse links. Versatile 35mm DIN rail or screw-to-panel mounting.

Technical data

Rated voltage: 600 V a.c. (UL)

Rated current:

- 30 A (box lug terminal)
- 20 A (with quick connector terminal)

Compatible fuse links: FWA-A10F, FWC-A10F, PVM and PV-A10F

Standards / Agency information

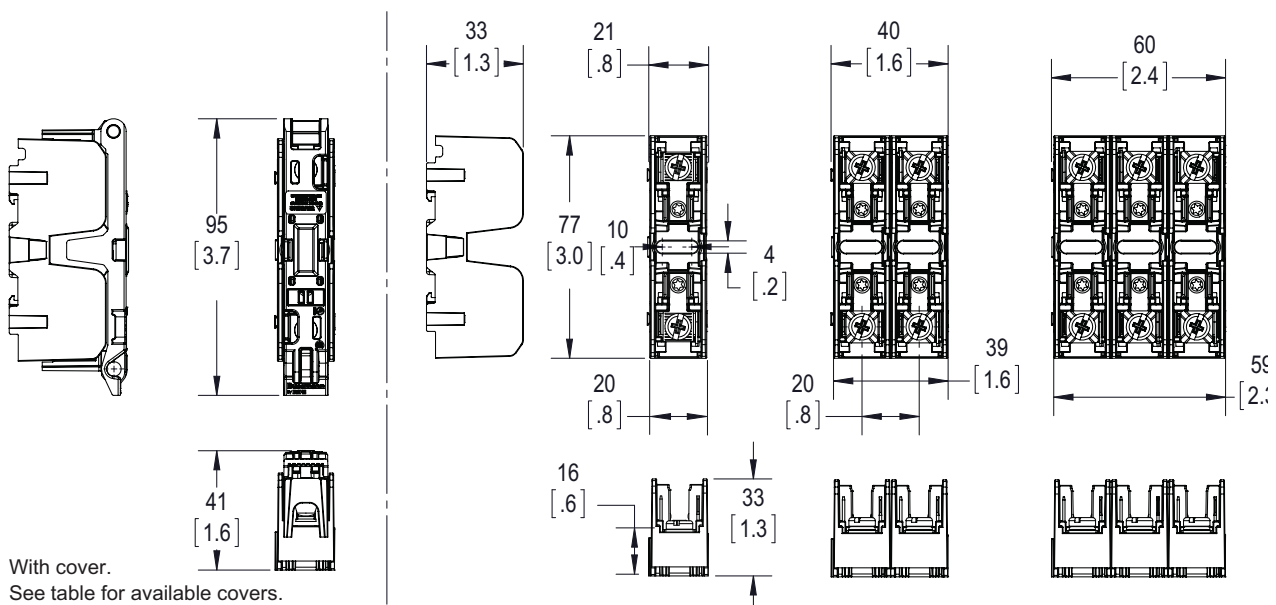
- UL Recognised E14853-IZLT2
- CSA Certified 47235-6225-01
- CE
- RoHS compliant
- Conflict mineral free
- Reach declaration available upon request



Terminal type			Fuse link size	Number of poles
Screw w/quick connect ¹	Pressure plate w/quick connect ¹	Box lug		
BMM603-1SQ	BMM603-1PQ	BMM603-1C	10 x 38 (13/32" x 1-1/2")	1
BMM603-2SQ	BMM603-2PQ	BMM603-2C	10 x 38 (13/32" x 1-1/2")	2
BMM603-3SQ	BMM603-3PQ	BMM603-3C	10 x 38 (13/32" x 1-1/2")	3

¹ Quick connect terminals rated for 20 A maximum.

Dimensions - mm (in)

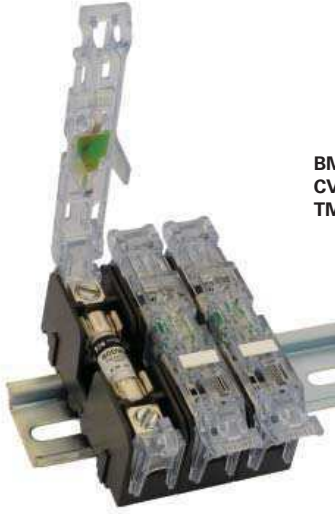


BMM

600 V a.c. (UL), 30 A

Recommended covers

Terminal type	Cover part numbers	
	Indicating	Non indicating
Box lug (CR)	CVRI-CCM	CVR-CCM
Screw/quick connect (SQ)	CVRI-CCM-QC	CVR-CCM-QC
Pressure plate/quick connect (PQ)	CVRI-CCM-QC	CVR-CCM-QC



**BMM603-3C with
CVRI-CCM covers and
TM27CB marker labels**

JM70100

700 V a.c. (UL), 100 A

Specifications

Description

Modular, open-style fuse blocks for cylindrical industrial fuse links. Versatile 35mm DIN rail or screw-to-panel mounting.

Technical data

Rated voltage: 700 V a.c. (UL)

Rated current: 100 A

Compatible fuse links: FWP-A22F(I) see page 29

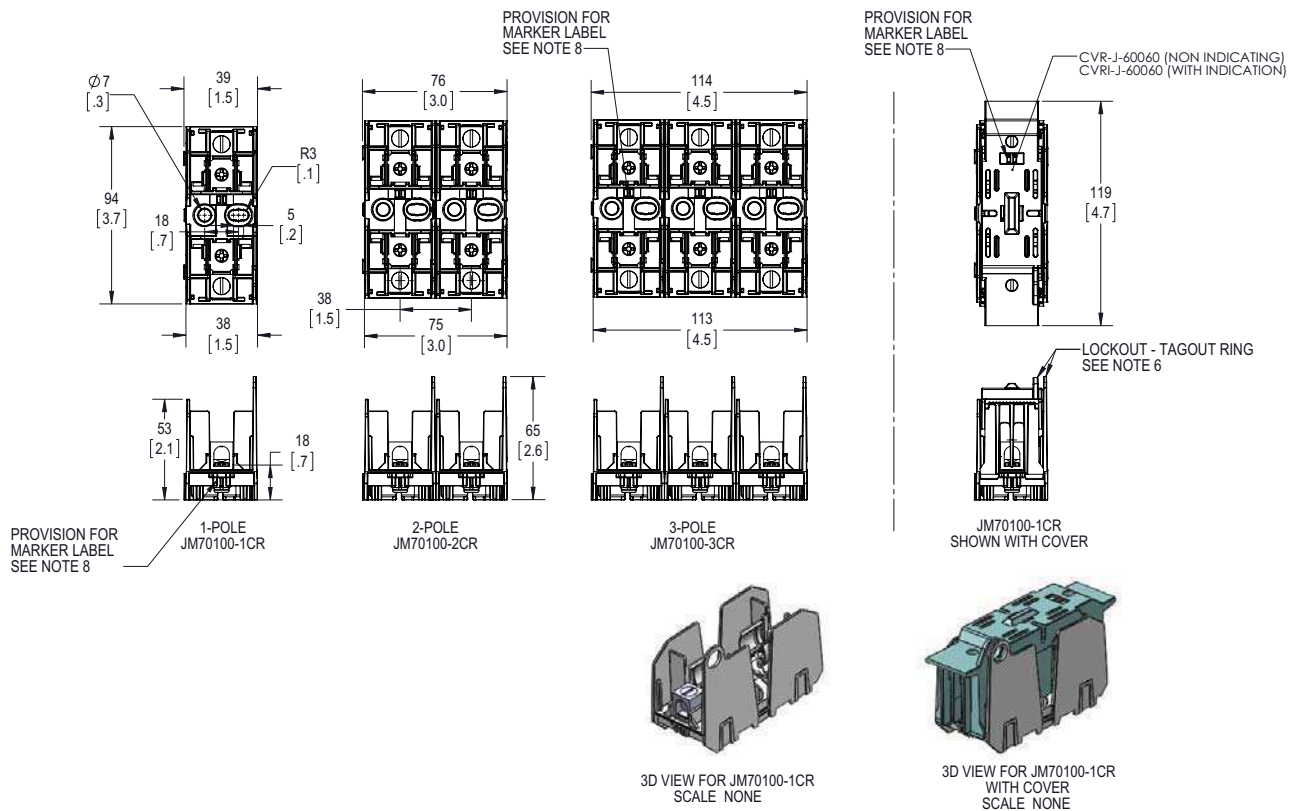
Standards / Agency information

UL Recognised, Guide IZTL2, File 14853.



Terminal type	Fuse link size	Number of poles
Box lug with retaining clip		
JM70100-1CR		1
JM70100-2CR	22 x 58 mm	2
JM70100-3CR		3

Dimensions - mm (in)



Modular knifeblade fuse blocks

JM60

600 V a.c. (UL), 70 to 600 A

Specifications

Description

Industry's first modular fuse block simplifies design and enhances safety

Technical data

Rated voltage: 600V a.c. (UL)
 Rated current: see table below
 Compatible fuse links: DFJ (see page 75)



Standards / Agency information

Blocks

- UL - Listed cULus E14853 - IZLT & IZLT7
- CSA - Certified 47235-6225-01

Covers

- UL - Listed UL E58836 - JDVS2
- CSA - Certified 47235-6225-01

Catalogue numbers						
Class J Block	Covers without indication*	Covers with indication*	Rated voltage	Rated current (Amps)	Number of poles	Compatible Bussmann series fuse links
JM60100-1CR					1	
JM60100-2CR	CVR-J-60100	CVRI-J-60100	600 V a.c.	70-100	2	
JM60100-3CR					3	
JM60200-1CR					1	
JM60200-2CR	CVR-J-60200	CVRI-J-60200	600 V a.c.	110-200	2	
JM60200-3CR					3	
JM60400-1CR					1	DFJ
JM60400-2CR	CVR-J-60400-M	CVRI-J-60400-M	600 V a.c.	225-400	2	
JM60400-3CR					3	
JM60600-1CR					1	
JM60600-2CR	CVR-J-60600	CVRI-J-60600	600 V a.c.	450-600	2	
JM60600-3CR					3	

* Covers sold separately. Blown fuse indication requires 90 volts minimum and closed circuit to operate.

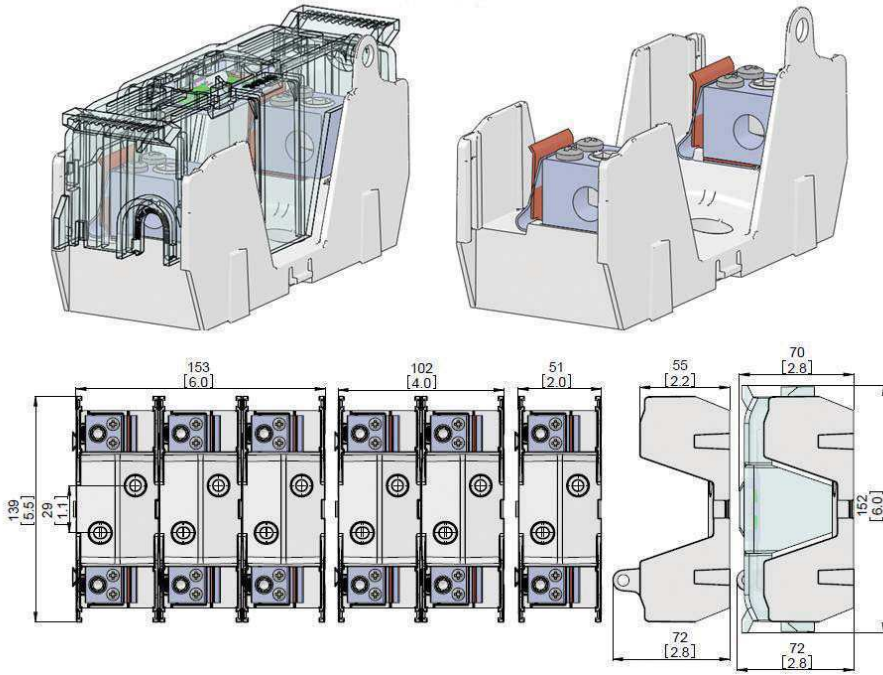
Wire range and torque values

Catalogue numbers	Wire range (solid and stranded)	Wire range (fine stranded)	Torque N•m (Lb-in)
JM60100-1CR	1/0-3 AWG; (2) Cu 4-6 AWG	1-3 AWG	6.2 (55)
JM60100-2CR	4-6 AWG; (2) Cu 8 AWG	4-6 AWG	5.6 (50)
JM60100-3CR	8 AWG; (2) Cu 10-14 AWG Cu 10-14 AWG; Al 10-12 AWG	8 AWG	5.1 (45) 4.5 (40) 4.0 (35)
JM60200-1CR			
JM60200-2CR	250 MCM -1 AWG	3/0-1 AWG	42 (375)
JM60200-3CR	2-6 AWG; (2) Cu 2-6 AWG	2-6 AWG	31 (275)
JM60400-1CR	600kcmil		57 (500)
JM60400-2CR	500kcmil-4 AWG (2) Cu 3/0 - 4 AWG	N/A	51 (450) 57 (500)
JM60400-3CR	(2) Al 3/0 - 4 AWG		34 (300)
JM60600-1CR			
JM60600-2CR	(2) 500kcmil-4 AWG	N/A	51 (450)

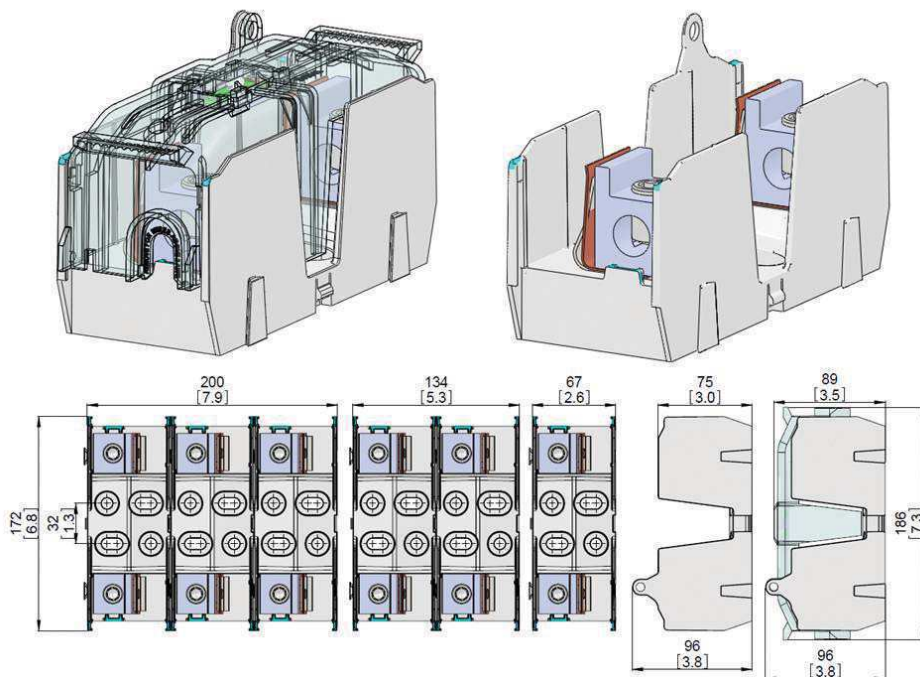
JM60

600 V a.c. (UL), 70 to 600 A

Dimensions - mm (in)



100 A

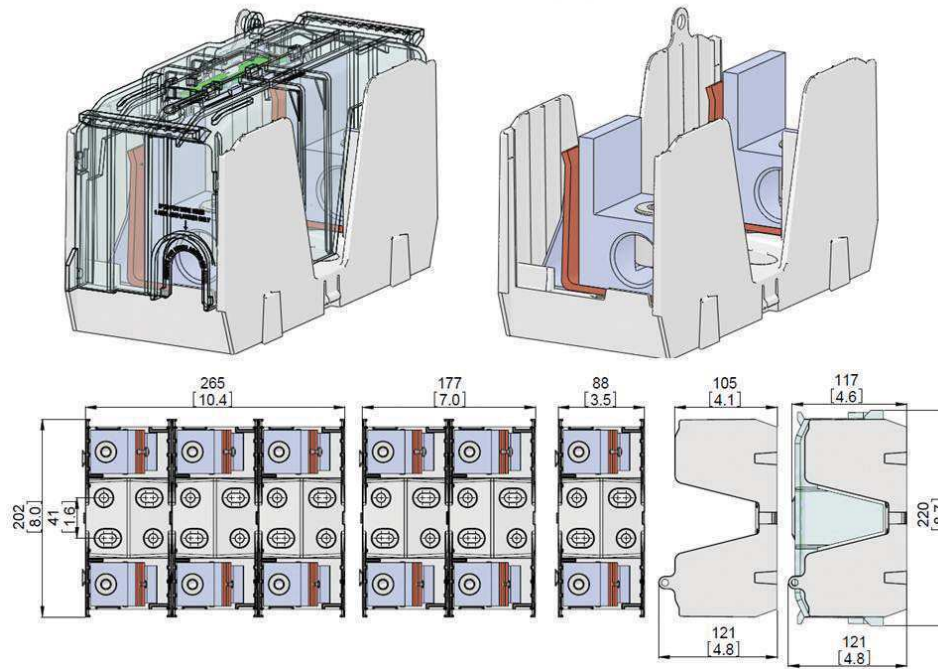


200 A

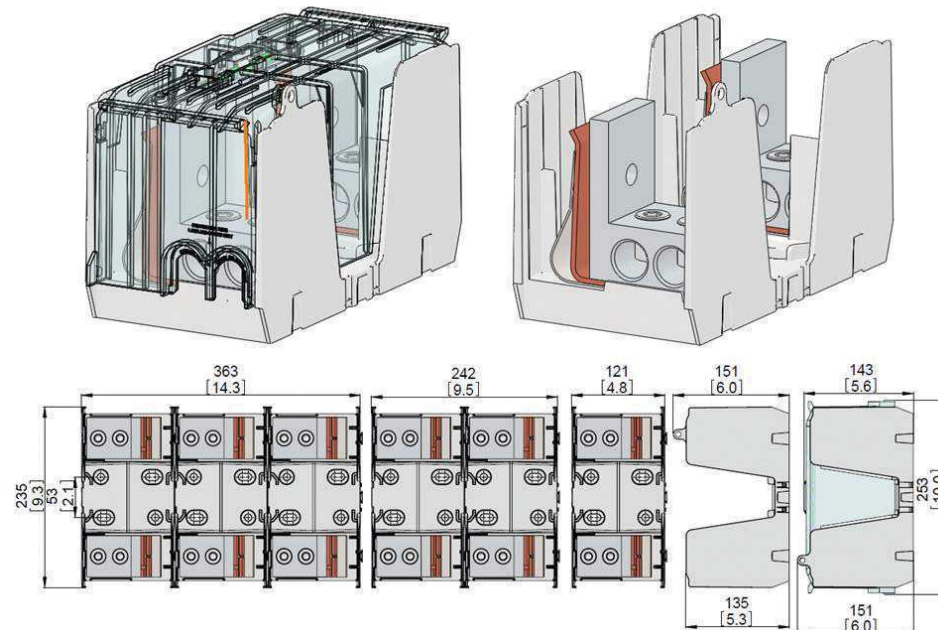
JM60

600 V a.c. (UL), 70 to 600 A

Dimensions - mm (in)



400 A



600 A

Modular fuse holders

10 x 38 mm, CH

Specifications

Description

Compact DIN-Rail mounting fuse holders for 10 x 38 mm cylindrical fuse links

Technical data

Rated voltage & Rated current: see tables below

Compatible fuse links

See table below

Standards / Agency information

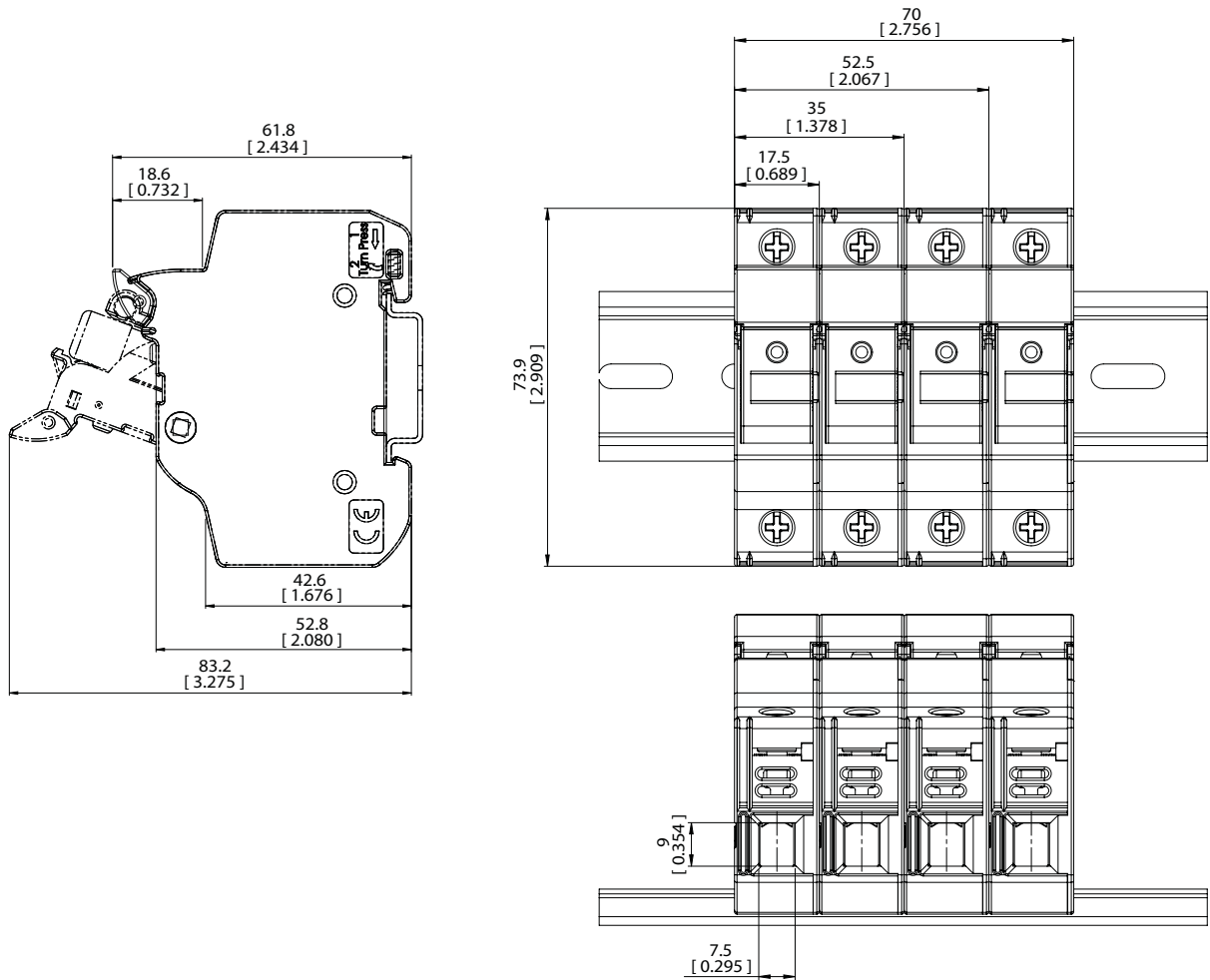
see table below



Size	Catalogue numbers		Rated voltage & rated current	Agency markings	Number of poles	Terminal rating	Rated breaking withstand capacity	Compatible Bussmann series fuse links
	With indicator	Without indicator						
CHM 10x38 and Midget	CHM1DIU	CHM1DU	IEC 690 V a.c./32A UL 600 V a.c./30 A;	IEC 60269-2 UR; CSA; CCC	1	IEC: 1 to 25mm ² 70°C PVC/Copper Cable Solid, Stranded, Fine Stranded, Spade Lug, Comb Bus Bar, Single and Dual	IEC 120 kA rms sym UL 200 kA rms sym CCC 100 kA rms sym	IEC: C10 UL: FNQ, KLM, FNM, KTK, BAF, FWA, PVM, AGU, BAN, FWC.
	CHM2DIU	CHM2DU			2			
	CHM3DIU	CHM3DU			3			
	CHM4DIU	CHM4DU		4				
	CHM1DNIU	CHM1DNU		1-pole + 1 neutral				
	CHM3DNIU	CHM3DNU		3-pole + 1 neutral				
CHM1DI-48U	N/A	N/A	IEC 48V d.c./32A UL 48V d.c./30 A;	IEC 60269-2; UR; CSA; CCC	1	N/A	N/A	
	N/A	CHM1DNXU	IEC 690 V a.c./32A	IEC 60269-2	1 neutral			
CHPV Photovoltaic	CHPV1IU	CHPV1U	IEC 1000 V d.c./32A UL 1000 V d.c./30 A;	IEC 60269-1 UR; CSA; CCC UL4248-18	1	33kA	Solar PV , PVM, PV-xxA10F	
	CHPV2IU	CHPV2U			2			
CHCC Class CC	CHCC1DIU	CHCC1DU	UL 600 V a.c./30 A 600 V d.c./30 A	UL; CSA; CCC	1	Cable 75°C and 90°C Cu cable	200 kA rms sym	LP-CC, FNQ-R, KTK-R
	CHCC2DIU	CHCC2DU			2			
	CHCC3DIU	CHCC3DU			3			
	N/A	CHCC1DI-48U			1			

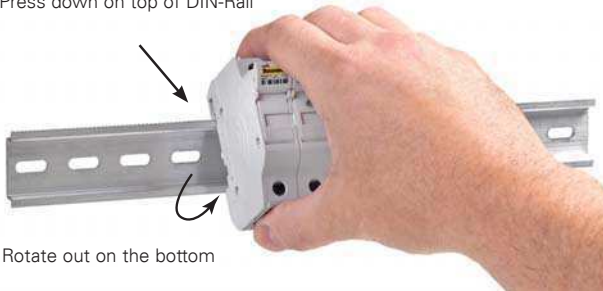
10 x 38 mm, CH

Dimensions - mm (in)



Removing Instructions

1. Press down on top of DIN-Rail



2. Rotate out on the bottom

14 x 51 mm, CH14

690 V a.c. / 750 and 1500V d.c., 50 A

Specifications

Description

Compact DIN-Rail mount fuse holders for 14 x 51 mm cylindrical fuse links. Available in different versions with neutral and microswitch.

Technical data

Rated voltage & Rated current: see table below

Compatible fuse links

- C14G and C14M14 x 51 mm gG and gM cylindrical fuse links
- FW Ferrule
 - FWH-A14F see page 26
 - FWX-A14F see page 24
 - FWP-A14F see page 28 (please consult Eaton's Bussmann business application engineers if you wish to use a FWP fuse link with a striker option)
- PV-A14F see page 109



Standards / Agency information

IEC 60269-1 and 60269-2

Type	Catalogue numbers		Description	Rated voltage & rated current	Agency markings	Terminal rating	Rated breaking withstand capacity	Compatible Bussmann series fuse links
	Without indicator	With indicator						
CH14			CH141DNXU - Neutral only	690 V a.c. 750 V d.c. 50 A	IEC 60269-1 and 2	Cable size: 2.5-50 mm ² Terminal torque: 3 Nm maximum Mounting 35 mm DIN-Rail or 2 x M4 panel mounting screws	120 kA a.c.	C14G and C14M FWX-A14F ¹ FWH-A14F ¹ FWP-A14F ^{1,2}
			CH141DU CH141DIU 1 pole					
			CH142DU CH142DIU 2 pole					
			CH143DU CH143DIU 3 pole					
			CH144DU CH144DIU 4 pole					
			CH141DNU CH141DNIU 1 pole + neutral					
			CH143DNU CH143DNIU 3 pole + neutral					
			CH141DMSU-F - 1 pole with microswitch					
			CH143DMSU-F - 3 pole with microswitch					
		CH143DNMSU-F - 3 pole +neutral with micro-switch						
CHPV Photovoltaic			CHPV141U CHPV141IU 1 pole	1500 V d.c. 50 A	IEC 60269-1 and 2		10 kA d.c.	PV-A14F
			CHPV142U CHPV142IU 2 pole					

¹ Maximum allowed continuous current applies. Please refer to data sheet for details.

² Please contact Eaton's Bussmann business application engineers if you wish to use a FWP fuse link with a striker option.

Accessories

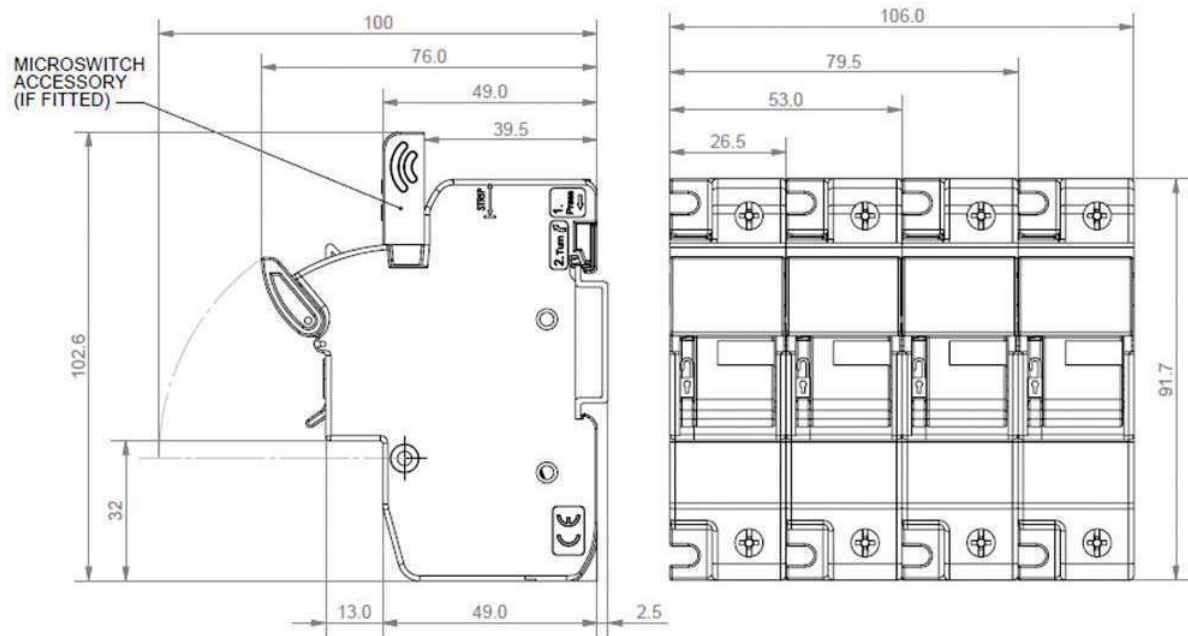
Catalogue numbers	Description	Unit packing
AL-D	Multi-pole ganging clips, one kit will gang up to 4-poles together	12
CH14-P	Multi-pole handle pins, one kit will gang up to 12 handles together	12
CH14-L	Lockout padlock support, it will accept up to 5mm diameter padlock shank	5
CH14-IP20	IP20 protection accessory, provides IP20 protection to terminals with 10mm ² or less cable	12
CH14-MS1	1-pole microswitch accessory, provides detection of a blown fuse link	5
CH14-MS3	3-pole microswitch accessory, provides detection of a blown fuse link	3

Data sheet: 10080

14 x 51 mm, CH14

690 V a.c. / 750 and 1500V d.c., 50 A

Dimensions - mm



22 x 58 mm, CH22

690 V a.c. / 1500V d.c., 125 A

Specifications

Description

Compact DIN-Rail mount fuse holders for 22 x 58 mm cylindrical fuse links. Available in different versions with neutral and microswitch.

Technical data

Rated voltage & Rated current: see table below

Compatible fuse links

- C22G and C22M 22 x 58 mm gG and gM cylindrical fuse links
- FWP-A22F Ferrule see page 29 (please consult Eaton's Bussmann business application engineers for derating information buletechnical@eaton.com)

Standards / Agency information

IEC 60269-1 and 60269-2



Size	Catalogue numbers		Description	Rated voltage & rated current	Agency markings	Terminal rating	Rated breaking withstand capacity	Compatible Bussmann series fuse links
	Without indicator	With indicator						
22 x 58 mm	CH221DNXU	-	Neutral holder					
	CH221DU	CH221DIU	1 pole fuse holder					
	CH222DU	CH222DIU	2 pole fuse holder			Cable size: 4 - 50 mm ²		
	CH223DU	CH223DIU	3 pole fuse holder					
	CH224DU	CH224DIU	4 pole fuse holder	690 V a.c. 1000 V d.c.	IEC 60269-1 and 2	Terminal torque: 4 Nm maximum	120 kA a.c.	FWP Ferrule ^{1,2}
	CH221DNU	CH221DNIU	1 pole + neutral	125 A		Mounting 35 mm DIN-Rail or 2 x M4 panel mounting screws	50 kA d.c.	
	CH223DNU	CH223DNIU	3 pole + neutral					
			CH221DMSU-F	1 pole with microswitch				
			CH223DMSU-F	3 pole with microswitch				
		CH223DNMSU-F	3 pole with microswitch + neutral					

¹ Maximum allowed continuous current applies. Please refer to data sheet for details.

² Please contact Eaton's Bussmann business application engineers if you wish to use a FWP fuse link with a striker option.

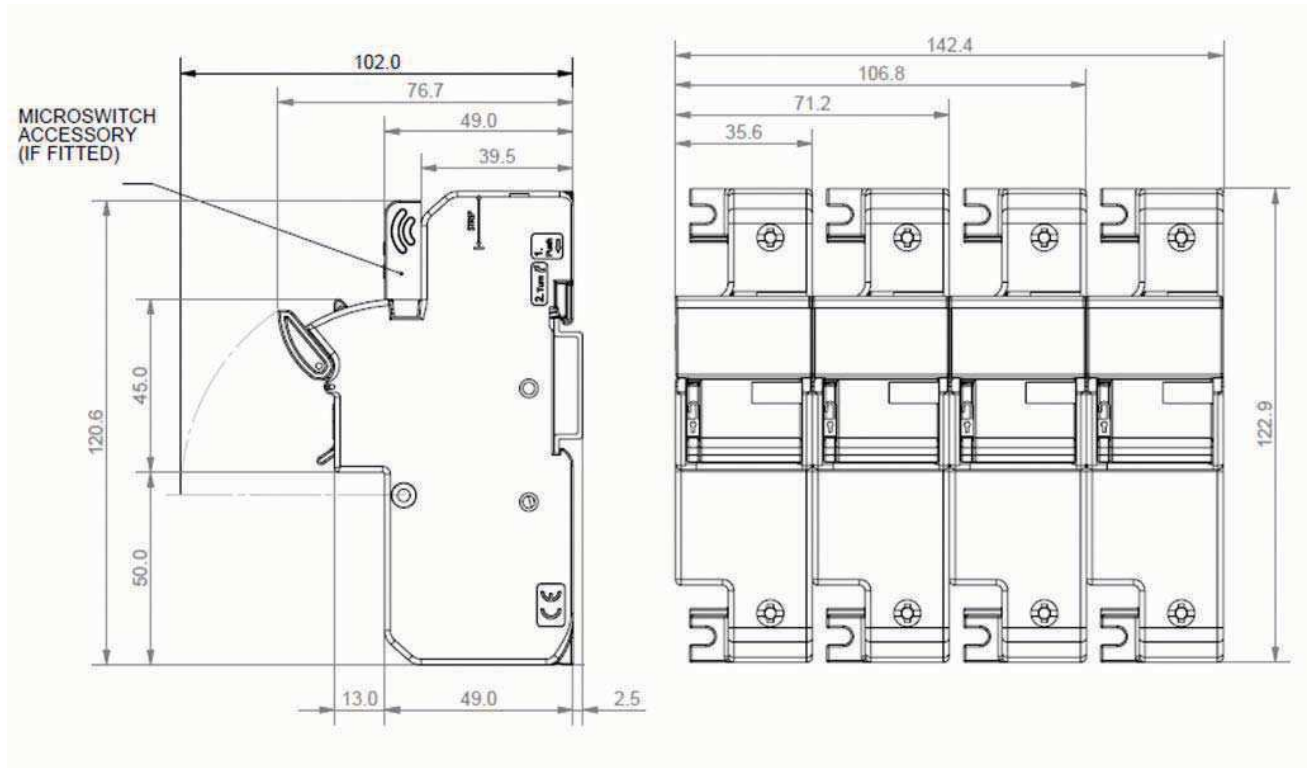
Accessories

Catalogue numbers	Description	Unit packing
AL-D	Multi-pole ganging clips, one kit will gang up to 4-poles together	12
CH14-P	Multi-pole handle pins, one kit will gang up to 12 handles together	12
CH22-L	Lockout padlock support, it will accept up to 5mm diameter padlock shank	5
CH22-IP20	IP20 protection accessory, provides IP20 protection to terminals with 10mm ² or less cable	12
CH22-MS1	1-pole microswitch accessory, for blown fuse link monitoring	5
CH22-MS3	3-pole microswitch accessory, for blown fuse link monitoring	3

22 x 58 mm, CH22

690 V a.c. / 1500V d.c., 125 A

Dimensions - mm



Microswitches for square body fuse links

Indicator systems

High Speed square body fuse links are available with three different indicators.

1 - Visual Indicator

The indicator situated in one end plate is clearly visible as soon as the fuse link has operated. The minimum rated voltage for operating the indicator is 20 V.

2 - Type T Indicator

The indicator is situated on one cover plate with a cover plate tag to accommodate an auxiliary switch. The minimum rated voltage for operating the indicator is 20 V. A special low rated voltage indicator (1.5V) is available on request.

3 - Type K Indicator

The indicator is situated on the fuse link body. It is covered by an adaptor for snap-on mounting of an auxiliary switch. The operating Rated voltage of the indicator is 1.5V. As a matter of safety, the factory mounted adaptor must not be removed from the fuse link.



Microswitches

Specifications

High Speed square body fuse links with either Type T indicator or Type K indicator can be equipped with a microswitch. For remote electrical indication of fuse link operations. All microswitches have one normally open and one normally closed contact.

Technical data

Rated voltage: 10-250 V a.c.

Rated current: 30mA-2A



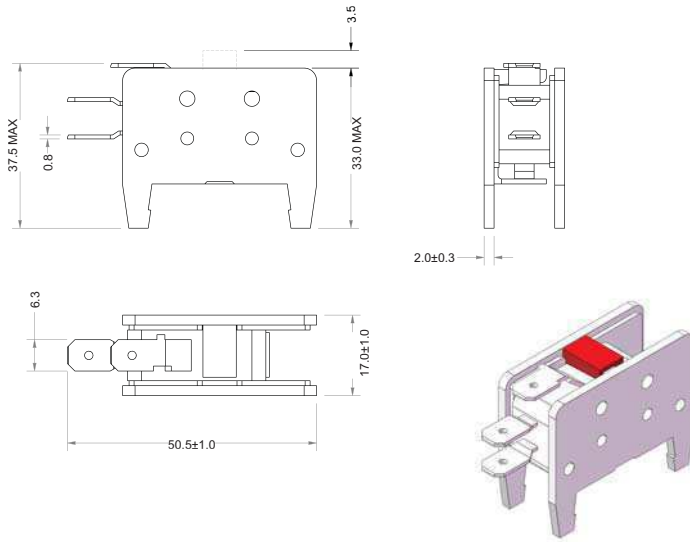
Fuse link body size	DIN 43653		DIN 43620		French style		Flush end		US Style	Terminal size	
	Type T	Type K	aR	gR and dual indication	Type T	Type K	Type T	Type K	Type K	6.3 x 0.8mm lugs	2.8 x 0.5mm lugs
000	170H0236		170H0236	170H0236						X	
	170H0238		170H0238	170H0238							X
00	170H0235		170H0236	170H0236			170H0235			X	
	170H0237		170H0238	170H0238			170H0237				X
1*	170H0235	170H0069	170H0235		170H0236	170H0069		170H0069	170H0069	X	
	170H0237		170H0237		170H0238						X
1	170H0235	170H0069	170H0235 ¹	170H0236	170H0236	170H0069		170H0069	170H0069	X	
	170H0237		170H0237 ¹	170H0238	170H0238						X
2	170H0235	170H0069	170H0235	170H0236	170H0236	170H0069		170H0069	170H0069	X	
	170H0237		170H0237	170H0238	170H0238						X
3	170H0235	170H0069	170H0236	170H0236	170H0236	170H0069		170H0069	170H0069	X	
	170H0237		170H0238	170H0238	170H0238						X
4								170H0069		X	
23								170H0069		X	
24								170H0069		X	

For special microswitches, double microswitches, DC rating of the microswitches, lower/higher signal levels and for insulation voltages please contact Eaton's Bussmann business: bulehighspeedtechnical@eaton.com.

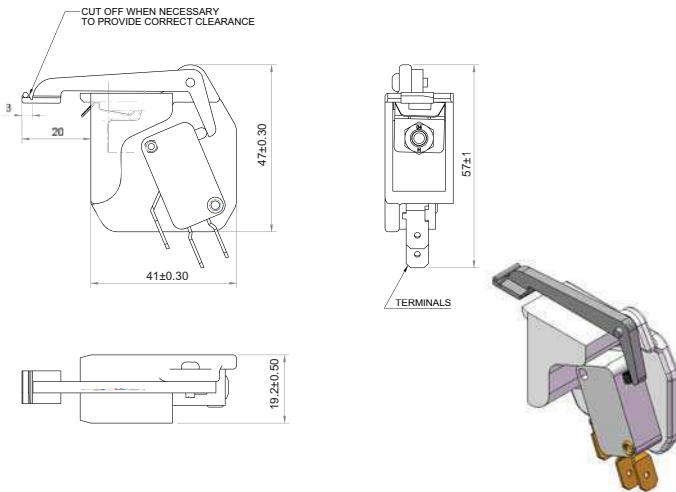
¹ DIN2* (55x55), if DIN2 then use microswitch 170H0236, 170H0238.

Indicator systems

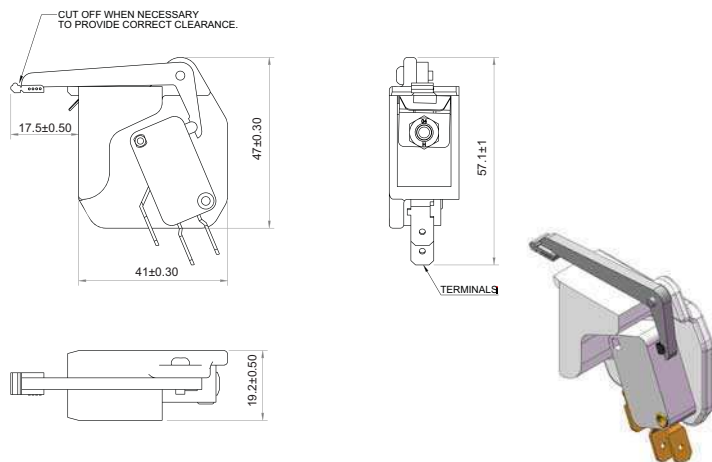
Dimensions - mm



170H0069



170H0235/170H0237 For bent tags



170H0236/170H0238 for straight tags

Microswitches for British Standard BS88-4 fuse links

Trip Indicator / Microswitches

Specifications

Trip-indicator fuse links are available for use in parallel with the main BS88-4 fuse links. They can either be attached to the associated fuse link or mounted separately in panel mounted fuse clips. A push-on adaptor and microswitch attachment is available for use with the trip indicator to give the facility of remote indication.

Fuse ratings of 20 A and below cannot usually accommodate a trip fuse link in parallel.

Catalogue numbers

Trip indicator kit (indicator + clips)

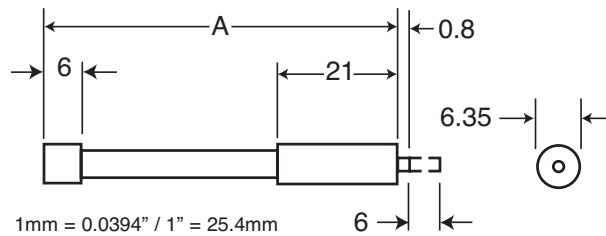
Fuse type	Catalogue number
ET	EC-600
EET	EC-600
FE	EC-600
FEE	EC-600
LET	EC-250
FM	MC-600
FMM	MC-600
LMT	MC-250
LMMT	MC-250



Indicator Only

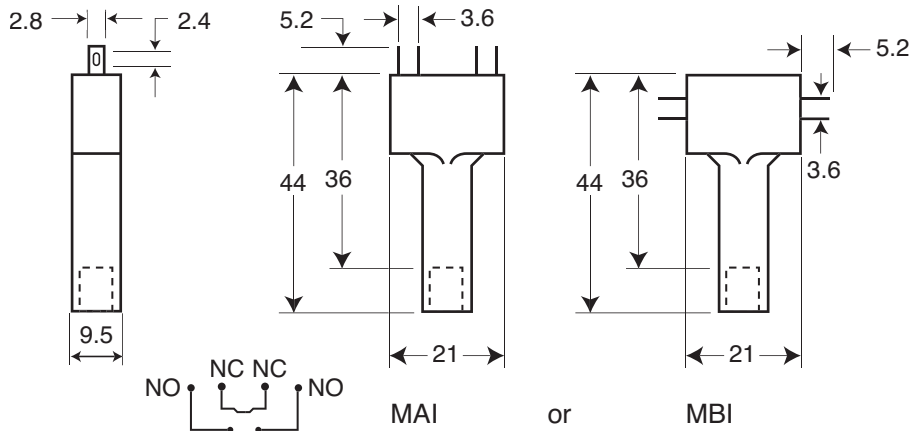
Fuse type	Rated current (V a.c.)	Dim 'A' (mm)
TI250	250	37.6
TI500	500	47.5
TI600	600	55.7
TI700	700	61.8
TI1100	1100	98.4
TI1500	1500	120.8
TI2000	2000	147.5
TI2500	2500	198.3

Dimensions - mm



Microswitch/Adaptor: MAI and MBI

Dimensions - mm



Index

Catalogue number	Page	Catalogue number	Page	Catalogue number	Page
170E3577 to 170E3581	83-84	170M3388 to 170M3397	61-62	170M5408 to 170M5418	57-58
170E3583 to 170E3587	83-84	170M3408 to 170M3423	57-58	170M5438 to 170M5448	61-62
170E3906 to 170E3912	88	170M3438 to 170M3448	61-62	170M5458 to 170M5468	57-58
170E3914 to 170E3919	95-97	170M3458 to 170M3473	57-58	170M5494 to 170M5500	61-62
170E3922	95-97	170M3488 to 170M3497	61-62	170M5508 to 170M5518	57-58
170E3924 to 170E3932	94	170M3508 to 170M3523	57-58	170M5531 to 170M5540	52-53
170E3933	95-97	170M3531 to 170M3541	52-53	170M5558 to 170M5568	57-58
170E3937 to 170E3945	89	170M3558 to 170M3573	57-58	170M5588 to 170M5598	61-62
170E3946	88	170M3608 to 170M3623	50-51	170M5608 to 170M5618	50-51
170E3950 to 170E3956	89	170M3658 to 170M3673	50-51	170M5644 to 170M5650	61-62
170E3970	89	170M3688 to 170M3697	54-55	170M5658 to 170M5668	50-51
170E3971	88	170M3708 to 170M3723	50-51	170M5688 to 170M5700	54-55
170E3976	89	170M3738 to 170M3747	54-55	170M5708 to 170M5718	50-51
170E3977	88	170M3758 to 170M3773	50-51	170M5738 to 170M5750	54-55
170E3982	88	170M3808D to 170M3819D	45-46	170M5758 to 170M5768	50-51
170E3984	95-97	170M3921 to 170M3931	59-60	170M5808D to 170M5814D	45-46
170E5417	83-84	170M3951 to 170M3961	59-60	170M5816D to 170M5817D	45-46
170E5418	83-84	170M3965 to 170M3975	39-40	170M5820D	45-46
170E5420	83-84	170M3981 to 170M3991	39-40	170M5881 to 170M5889	43-44
170E5421	83-84	170M4008 to 170M4049	36-37	170M5922 to 170M5931	59-60
170E8335 to 170E8337	83-84	170M4058 to 170M4069	36-37	170M5952 to 170M5961	59-60
170E8345 to 170E8347	83-84	170M4108 to 170M4119	36-37	170M5966 to 170M5975	39-40
170E8882 to 170E8888	95-97	170M4138 to 170M4147	41-42	170M5981 to 170M5990	39-40
170E9681	83-84	170M4158 to 170M4169	36-37	170M6008 to 170M6021	36-37
170E9685	83-84	170M4176 to 170M4186	43-44	170M6058 to 170M6071	36-37
170F8230 to 170F8235	87	170M4188 to 170M4197	41-42	170M6080 to 170M6087	43-44
170H0069	144-145	170M4208 to 170M4219	36-37	170M6108 to 170M6121	36-37
170H0235 to 170H0238	144-145	170M4238 to 170M4247	41-42	170M6138 to 170M6151	41-42
170H1007	126	170M4258 to 170M4269	36-37	170M6158 to 170M6171	36-37
170H1013	126	170M4308 to 170M4318	48-49	170M6188 to 170M6201	41-42
170H3003 to 170H3006	127-128	170M4358 to 170M4368	48-49	170M6208 to 170M6221	36-37
170M1308 to 170M1322	34-35	170M4388 to 170M4397	61-62	170M6238 to 170M6251	41-42
170M1358 to 170M1372	34-35	170M4408 to 170M4419	57-58	170M6258 to 170M6271	36-37
170M1408 to 170M1422	34-35	170M4438 to 170M4447	61-62	170M6308 to 170M6319	48-49
170M1558D to 170M1572D	45-46	170M4458 to 170M4469	57-58	170M6338 to 170M6349	61-62
170M1730 to 170M1742	76-77	170M4488 to 170M4497	61-62	170M6358 to 170M6369	48-49
170M1750 to 170M1762	76-77	170M4508 to 170M4519	57-58	170M6408 to 170M6421	57-58
170M1770 to 170M1781	76-77	170M4531 to 170M4540	52-53	170M6458 to 170M6471	57-58
170M1785 to 170M1796	76-77	170M4558 to 170M4569	57-58	170M6494 to 170M6501	61-62
170M1802 to 170M1813	78-79	170M4608 to 170M4619	50-51	170M6508 to 170M6521	57-58
170M1824 to 170M1833	78-79	170M4658 to 170M4669	50-51	170M6538 to 170M6549	61-62
170M1842 to 170M1853	78-79	170M4688 to 170M4697	54-55	170M6558 to 170M6571	57-58
170M1860 to 170M1869	78-79	170M4708 to 170M4719	50-51	170M6588 to 170M6599	61-62
170M2000 to 170M2021	80-82	170M4738 to 170M4747	54-55	170M6608 to 170M6621	50-51
170M2039 to 170M2057	90-92	170M4758 to 170M4769	50-51	170M6644 to 170M6651	61-62
170M2090 to 170M2096	93	170M4802 to 170M4815	38	170M6658 to 170M6671	50-51
170M2100 to 170M2111	86	170M4822 to 170M4835	38	170M6688 to 170M6701	54-55
170M2608 to 170M2621	34-35	170M4863D to 170M4867D	45-46	170M6708 to 170M6721	50-51
170M2658 to 170M2671	34-35	170M4921 to 170M4930	59-60	170M6738 to 170M6751	54-55
170M2673 to 170M2685	47	170M4951 to 170M4960	59-60	170M6758 to 170M6771	50-51
170M2691 to 170M2702	43-44	170M4965 to 170M4974	39-40	170M6775 to 170M6807	71
170M2708 to 170M2721	54-55	170M4980 to 170M4989	39-40	170M6808D to 170M6814D	45-46
170M2758 to 170M2771	54-55	170M5008 to 170M5018	36-37	170M6815 to 170M6817	71
170M3008 to 170M3023	36-37	170M5058 to 170M5068	36-37	170M6827 to 170M6829	71
170M3058 to 170M3073	36-37	170M5108 to 170M5118	36-37	170M6833 to 170M6835	71
170M3108 to 170M3123	36-37	170M5138 to 170M5150	41-42	170M6858 to 170M6870	69-70
170M3138 to 170M3148	41-42	170M5158 to 170M5168	36-37	170M6878 to 170M6890	69-70
170M3158 to 170M3173	36-37	170M5188 to 170M5200	41-42	170M6892D	45-46
170M3188 to 170M3198	41-42	170M5208 tp 170M5218	36-37	170M6898 to 170M6910	69-70
170M3208 to 170M3223	36-37	170M5238 to 170M5250	41-42	170M6918 to 170M6930	69-70
170M3238 to 170M3248	41-42	170M5258 to 170M5268	36-37	170M6938 to 170M6950	69-70
170M3258 to 170M3273	36-37	170M5308 to 170M5316	48-49	170M6958 to 170M6970	69-70
170M3308 to 170M3321	48-49	170M5358 to 170M5366	48-49	170M7031	65-66
170M3358 to 170M3371	48-49	170M5388 to 170M5398	61-62	170M7034 to 170M7037	65-66

Index

Catalogue number	Page
170M7053	65-66
170M7058 to 170M7066	63-64
170M7078 to 170M7086	63-64
170M7090	65-66
170M7098 to 170M7106	63-64
170M7107	67-68
170M7118 to 170M7126	63-64
170M7138 to 170M7149	72
170M7156	65-66
170M7158 to 170M7169	72
170M7198 to 170M7209	72
170M72100 to 170M2111	86
170M7216	67-68
170M7217	67-68
170M7217	85
170M7218 to 170M7229	72
170M7488	73
170M7498	73
170M7510 to 170M7513	67-68
170M7516	67-68
170M7532	67-68
170M7542	65-66
170M7544	65-66
170M7546	67-68
170M7548	65-66
170M7567 to 170M7569	73
170M7592	67-68
170M7595	67-68
170M7597	67-68
170M7608	73
170M7622	73
170M7633	67-68
170M7636	65-66
170M7639	65-66
170M7640	65-66
170M7658	65-66
170M7661	65-66
170M7676	67-68
170M7680	73
170M7802 to 170M7804	67-68
170M7962	65-66
170M7963	65-66
170M7976	67-68
170M7978	67-68
170M8500 to 170M8513	59-60
170M8531 to 170M8544	52-53
170M8554D to 170M8557D	45-46
170M8600 to 170M8613	59-60
170M8614 to 170M8627	39-40
170M8629 to 170M8642	39-40
170N1785 to 170M1796	76-77
1BS	125
AL-D	140 & 142
BH	125
BMM603	132-133
C5268	125
CH14	140-141
CH14-IP20	140-141
CH14-L	140-141
CH14-MS	140
CH14-P	140 & 142
CH22	142-143
CH22-IP20	142
CH22-L	142

Catalogue number	Page
CH22-MS	142
CHCC	138-139
CHM	138-139
CHPV	138-139
CHPV14	140-141
CT	19-20
CVR	132-133
CVRI-J	135-137
CVR-J	135-137
DFJ	75
EC-250	146
EC-600	146
EET	19-20
ET	19-20
FE	19-20
FEE	19-20
FM	21-22
FMM	21-22
FWA-_A	7-8
FWA-_A10F	23
FWA-_A21F	23
FWA-_AH	6
FWA-_B	7-8
FWC-_A10F	27
FWH-_A	10
FWH-_A14F	26
FWH-_A6F	25
FWH-_B	10
FWJ-_A	15
FWJ-_A14F	31
FWK-_A20F	30 & 98
FWK-_A25F	30 & 98
FWL-_A20F	32 & 100
FWL-_A20FI	32 & 100
FWP-_A	13-14
FWP-_A14F	28
FWP-_A14FI	28
FWP-_A22F	29
FWP-_A22FI	29
FWP-_B	13-14
FWS-_A20F	33 & 100
FWS-_A20FI	33 & 100
FWX-_A	9
FWX-_A14F	24
FWX-_AH	9
JM60	135-137
JM70100	134
KAC	11
KBC	12
KC36	101
LCT	16-17
LET	16-17
LMMT	18
LMT	18
LRC750	99
MAI	146
MBI	146
MC-250	146
MC-600	146
MMT	21-22
MT	21-22
NBC	105
PV-_A10-1P	107-108
PV-_A10-2P	107-108

Catalogue number	Page
PV-_A10F	107-108
PV-_A10-T	107-108
PV-_A14F	109
PV-_A14LF	110
PV-_A14LF10F	110
PV-_A14L-T	110
PV-_AF	117-118
PV-_ANH	111-116
PV-_ANH-B	111-116
PV-_ANH-BL	111-116
PV-_L	119-124
PV-_L-15	119-124
PV-_L-B	119-124
PV-_L-B-15	119-124
PV-_XL-15	119-124
PV-_XL-B	119-124
PV-_XL-B12	119-124
PV-_XL-B15	119-124
PVM	106
PV-XL	119-124
RC	102
SB3L-S	131
SBXL-S	131
SD-D-PV	129-130
SF100X	103-104
SF75X	103-104
TI	143

Contact details

Customer Satisfaction team

Eaton's Bussmann business Customer Satisfaction team is available to answer questions regarding Bussmann series products.

Calls can be made between:

Monday - Thursday 7.30 a.m. - 5.30 p.m. GMT

Friday 7.30 a.m. - 5.00 p.m. GMT

The Customer Satisfaction team can be reached via:

Phone: 00 44 (0) 1509 882 600

Fax: 00 44 (0) 1509 882 786

Email: bulesales@eaton.com

www.my.eaton.com

Tailored just for you. Powerful online tools and resources get you the up-to-date information you need to work smarter, make informed decisions and streamline your transactions with Eaton. Get started today at www.my.eaton.com by clicking 'Request User ID and Password'.

- Easy to Navigate
- Simple to Use
- Real-Time Data.

Online resources

Visit www.bussmann.com for the following resources:

- Product cross reference
- Product profiles
- Online catalogues for the latest United States and European catalogues.

Application engineering

Application Engineering assistance is available to all customers. The Application Engineering team is staffed by university-qualified electrical engineers who are available with technical and application support.

Calls can be made between:

Monday - Thursday 8.30 a.m. - 4.30 p.m. GMT

Friday 8.30 a.m. - 4.00 p.m. GMT

Application Engineering can be reached via:

Phone: 00 44 (0) 1509 882 699

Fax: 00 44 (0) 1509 882 794

General technical enquiries: buletechnical@eaton.com

High speed technical enquiries: highspeedtechnical@eaton.com

At Eaton, we're energized by the challenge of powering a world that demands more. With over 100 years experience in electrical power management, we have the expertise to see beyond today. From groundbreaking products to turnkey design and engineering services, critical industries around the globe count on Eaton.

We power businesses with reliable, efficient and safe electrical power management solutions. Combined with our personal service, support and bold thinking, we are answering tomorrow's needs today. Follow the charge with Eaton. Visit eaton.com/electrical.

Contact your local Eaton office

Electrical Sector
Eaton's Bussmann business
Melton Road
Burton-on-the-Wolds
LE12 5TH
Leicestershire
United Kingdom
bulesales@eaton.com
www.bussmann.com

Eaton Industries Manufacturing GmbH
Electrical Sector EMEA
Route de la Longeraie
71110 Morges, Switzerland
Eaton.eu

© 2015 Eaton
All Rights Reserved
Printed in the United Kingdom
Publication No. CA132014EN
February 2015

Changes to the products, to the information contained in this document, and to prices are reserved; so are errors and omissions. Only order confirmations and technical documentation by Eaton is binding. Photos and pictures also do not warrant a specific layout or functionality. Their use in whatever form is subject to prior approval by Eaton. The same applies to Trademarks (especially Eaton, Moeller, and Cutler-Hammer). The Terms and Conditions of Eaton apply, as referenced on Eaton Internet pages and Eaton order confirmations.

Eaton is a registered trademark.
All other trademarks are property of their respective owners.