

Leadership in fusible circuit protection



EATON

Powering Business Worldwide



Energizing a world that demands more.

We deliver:

- **Electrical solutions** that use less energy, improve power reliability and make the places we live and work safer and more comfortable
- **Hydraulic and electrical solutions** that enable machines to deliver more productivity without wasting power
- **Aerospace solutions** that make aircraft lighter, safer and less costly to operate, and help airports operate more efficiently
- **Vehicle drivetrain and powertrain solutions** that deliver more power to cars, trucks and buses, while reducing fuel consumption and emissions

Discover today's Eaton.

Powering business worldwide

As a global power management company, we help customers worldwide manage the power needed for buildings, aircraft, trucks, cars, machinery and businesses.

Eaton's innovative technologies help customers manage electrical, hydraulic and mechanical power more reliably, efficiently, safely and sustainably.

We provide integrated solutions that help make energy, in all its forms, more practical and accessible.

With 2013 sales of \$22 billion, Eaton has approximately 100,000 employees around the world and sells products in more than 175 countries.

Eaton.com

EATON

Powering Business Worldwide

Eaton's Bussmann business is the leading source of fusible circuit protection solutions in the global marketplace. Eaton's Bussmann series products are approved for use around the world and meet agency requirements and international standards: IEC, VDE, DIN, UL, CSA, BS and others.

Eaton's Bussmann business European headquarters are in Burton-on-the-Wolds, Leicestershire (UK).

Eaton's Bussmann business manufactures over 50,000 part numbers covering extensive fusible circuit protection solutions for a wide range of applications: residential, industrial, motor protection, power conversion and distribution.

Eaton's Bussmann business has been a leading exponent in the design, development and manufacture of high speed fuse links and their associated accessories for more than 100 years and has supplied fuse links to more than 90 countries worldwide.

Eaton's Bussmann business team of specialist Engineers and Field Applications Engineers plays a leading role in international standardisation of high speed fuse links offering comprehensive advice on selection and applications.

With a continual commitment to meet our customers' needs with innovative high quality products with ISO 902 'approval systems', Eaton's Bussmann business is the supplier of choice for high speed circuit protection solutions.

Table of contents

| Section | | | | Page |
|---|------------------------------------|----------------|-------------------------|--------------|
| North American fuse links | | | | 6-15 |
| | 130 V a.c./V d.c. | 1000 to 4000 A | FWA | 6 |
| | 150 V a.c./V d.c. | 70 to 1000 A | FWA | 7-8 |
| | 250 V a.c./V d.c. | 35 to 2500 A | FWX | 9 |
| | 500 V a.c./V d.c. | 35 to 1600 A | FWH | 10 |
| | 600 V a.c. | 1 to 1000 A | KAC | 11 |
| | 600 V a.c. | 35 to 800 A | KBC | 12 |
| | 700 V a.c./V d.c. | 5 to 1200 A | FWP | 13-14 |
| | 1000 V a.c./ 800 V d.c. | 35 to 2000 A | FWJ | 15 |
| British Standard BS88 fuse links | | | | 16-22 |
| | 240-250-280 V a.c./ 150 V d.c. | 6 to 180 A | LCT, LET | 16-17 |
| | 240-250 V a.c./ 150 V d.c. | 160 to 900 A | LMT, LMMT | 18 |
| | 690-700 V a.c./ 500 V d.c. | 6 to 200 A | CT, ET, FE, EET and FEE | 19-20 |
| | 690-700 V a.c./ 350-450-500 V d.c. | 160 to 710 A | FM, FMM, MT and MMT | 21-22 |
| Ferrule fuse links | | | | 23-33 |
| | 150 V a.c./V d.c. | 5 to 60 A | FWA | 23 |
| | 250 V a.c./V d.c. | 1 to 50 A | FWX | 24 |
| | 500 V a.c. | 0.25 to 30 A | FWH-A6F | 25 |
| | 500 V a.c./V d.c. | 1 to 30 A | FWH-14F | 26 |
| | 600-700 V a.c./ 700 V d.c. | 1 to 32 A | FWC | 27 |
| | 690-700 V a.c./ 600-700 V d.c. | 1 to 50 A | FWP-A14F | 28 |
| | 700 V a.c./V d.c. | 20 to 100 A | FWP-A22F | 29 |
| | 750 V d.c. | 5 to 60 A | FWK-A25F | 30 |
| | 1000 V a.c./ 800 V d.c. | 20 to 30 A | FWJ | 31 |
| | 1200 V a.c./ 1000 V d.c. | 20 to 30 A | FWL | 32 |
| | 1400-2000 V a.c./ 1000 V d.c. | 2 to 15 A | FWS | 33 |
| Square body fuse links | | | | 34-79 |
| DIN 43653 | | | | |
| | 690-700 V a.c./V d.c. | 10 to 400 A | 170M - size 000 and 00 | 34-35 |
| | 690-700 V a.c. | 40 to 2000 A | 170M - size 1* to 3 | 36-37 |
| | 1000 V a.c. | 20 to 315 A | 170M - size 00 | 38 |
| | 1000 V a.c. | 50 to 1400 A | 170M - size 1* to 3 | 39-40 |
| | 1250-1300 V a.c. | 50 to 1400 A | 170M - size 1* to 3 | 41-42 |
| DIN 43620 | | | | |
| | 690 V a.c. | 10 to 800 A | 170M - size 00 to 3 | 43-44 |
| | 690-700 V a.c. | 10 to 1600 A | 170M - dual indicator | 45-46 |
| | 1000 V a.c. | 20 to 225A | 170M - size 00 | 47 |
| French style | | | | |
| | 690-700 V a.c. | 40 to 1600 A | 170M - size 1* to 3 | 48-49 |
| US style | | | | |
| | 690-700 V a.c. | 40 to 2000 A | 170M - size 1* to 3 | 50-51 |
| | 1000 V a.c. | 50 to 1400 A | 170M - size 1* to 3 | 52-53 |
| | 1250-1300 V a.c. | 50 to 1400 A | 170M - size 1* to 3 | 54-55 |
| Flush end contact | | | | |
| | 690 V a.c. | 25 to 400 A | 170M - size 00 | 56 |
| | 690-700 V a.c. | 40 to 2000 A | 170M - size 1* to 3 | 57-58 |
| | 1000 V a.c. | 50 to 1400 A | 170M - size 1* to 3 | 59-60 |
| | 1250-1300 V a.c. | 50 to 1400 A | 170M - size 1* to 3 | 61-62 |
| | 690-700 V a.c. | 1000 to 4000 A | 170M - size 4 | 63-64 |
| | 1000 V a.c. | 1000 to 3000 A | 170M - size 4 | 65-66 |
| | 1250 V a.c. | 800 to 2500 A | 170M - size 4 | 67-68 |
| | 660 V a.c. | 1000 to 4000 A | 170M - size 23 | 69-70 |
| | 1250 V a.c. | 630 to 2800 A | 170M - size 23 | 71 |
| | 690 V a.c. | 2000 to 7500 A | 170M - size 24 | 72 |
| | 1000 V a.c. | 2000 to 5000 A | 170M - size 24 | 73 |
| | 1100-2000 V a.c. | 1800 to 5500 A | 170M - size 5 | 74 |

| Section | | | | Page |
|--------------------------------|------------------------------------|-----------------------------------|----------------------------|----------------|
| Square body | | | | 34-79 |
| Drive fuse links | 600 V a.c./ 450 V d.c. | 1 to 600 A | DFJ | 75 |
| IGBT fuse links | 750-800 V d.c. | 25 to 630 A | 170M - size 000 and 230 | 76-77 |
| | 1000 V d.c. | 25 to 500 A | 170M - size 000 and 230 | 78-79 |
| Traction fuse links | | | | 80-105 |
| Square body | | | | |
| | 750 V d.c. | 50 to 1600 A | 170M - size 1*, 3 and 23 | 80-82 |
| | 750 V d.c. | 63 to 500 A | 170E - size 1*, 1, 2 and 3 | 83-84 |
| | 850 V d.c./ 1250 V a.c. | 1400 A | 170M7217 - size 4 | 85 |
| | 1200 V d.c. | 20 to 215 A | 170M - size 1* | 86 |
| | 1200 V d.c. | 160 to 420 A | 170F - size 2 | 87 |
| | 2000 V d.c. | 10 to 80 A | 170E - size 1* | 88 |
| | 2000 V d.c. | 10 to 125 A | 170E - size 1* | 89 |
| | 2000 V d.c. | 20 to 600 A | 170M | 90-92 |
| | 2400 V d.c. | 100 to 400 A | 170M - size 3 | 93 |
| | 4000 V d.c. | 20 to 125 A | 170E - size 1* | 94 |
| | 4000 V d.c. | 20 to 450 A | 170E - size 1*, 2 and 2//2 | 95-97 |
| Ferrule | | | | |
| | 750 V d.c. | 5 to 60 A | FWK | 98 |
| | 750 V d.c. | 30 to 50 A | LRC750 | 99 |
| | 1000 V d.c./ 1200-1400-2000 V a.c. | 2 to 30 A | FWS and FWL | 100 |
| Round body | | | | |
| | 750 V d.c. | 5 to 60 A | KC36 | 101 |
| | 750 V d.c. | 200 to 400 A | RC | 102 |
| | 900 V d.c. | 160 to 1000 A | SF | 103-104 |
| | 1500 V d.c. | 25 to 200 A | NBC | 105 |
| Photovoltaic fuse links | | | | 106-124 |
| | 600 V d.c. | 4 to 30 A | PVM | 106 |
| | 1000 V d.c. | 1 to 20 A | PV 10 x 38 mm | 107-108 |
| | 1000-1100 V d.c. | 15 to 32 A | PV 14 x 51 mm | 109 |
| | 1300-1500 V d.c. | 15 to 32 A | PV 14 x 65 mm | 110 |
| | 1000 V d.c. | 32 to 400 A | PV NH | 111-116 |
| | 1000 V d.c. | 160 to 400 A | PV Flush end | 117-118 |
| | 1000-1500 V d.c. | 50 to 600 A | PV XL | 119-124 |
| Accessories | | | | 125-146 |
| Fuse bases | | | | |
| | Modular style | C5268, 1BS and BH | | 125 |
| | Fixed center | 170H | | 126-128 |
| | NH bases | SD-D-PV | | 129-130 |
| | PV XL bases | SB-XL | | 131 |
| | Ferrule | BMM and CVRI | | 132-133 |
| | Ferrule | JM70100 | | 134 |
| Modular knifeblade fuse blocks | | | | |
| | | JM60 | | 135-137 |
| Modular fuse holders | | | | |
| | 10 x 38 mm | CHM, CHPV, CHCC | | 138-139 |
| | 14 x 51 mm | CH14 ,CHPV14 | | 140-141 |
| | 22 x 58 mm | CH22 | | 142-143 |
| Microswitches | | | | |
| | Square body | 170H0235 to 170H0237 and 170H0069 | | 144-145 |
| | BS88-4 | EC, MC and TI | | 146 |
| Index | | | | 147-148 |

North American fuse links

FWA

130 V a.c./V d.c.(UL), 1000 to 4000 A

Specifications

Description

North American style flush end high speed fuse links for the protection of DC common bus, DC drives, power converters/rectifiers and reduced rated voltage starters.

Technical data

Rated voltage: 130 V a.c./V d.c. (UL).

Rated current: 1000-4000 A.

Breaking capacity:

- 200 kA RMS Sym at 130 V a.c.
- 50 kA at 130 V d.c..

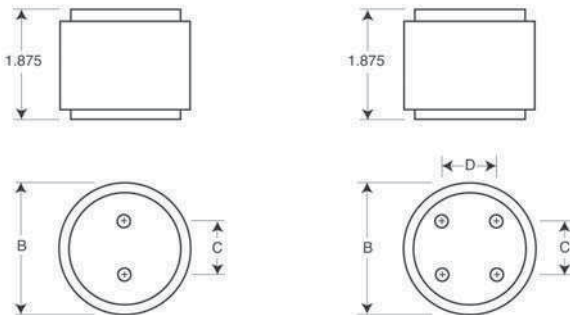
Standards / Agency information

CE, UL Recognised JFHR2.E91958 on 1000 - 2000 A fuse links.



| Rated voltage | Rated current (Amps) | I ² t (A ² Sec) | | Watts loss (W) | Catalogue numbers |
|------------------------|----------------------|---------------------------------------|------------------------|----------------|-------------------|
| | | Pre-arcing | Clearing at 130 V a.c. | | |
| 130 V a.c./V d.c. (UL) | 1000 | 170,000 | 460,000 | 60 | FWA-1000AH |
| | 1200 | 270,000 | 730,000 | 70 | FWA-1200AH |
| | 1500 | 520,000 | 1,400,000 | 78 | FWA-1500AH |
| | 2000 | 860,000 | 2,400,000 | 108 | FWA-2000AH |
| | 2500 | 1,500,000 | 4,100,000 | 130 | FWA-2500AH |
| | 3000 | 2,100,000 | 5,700,000 | 150 | FWA-3000AH |
| | 4000 | 3,400,000 | 9,200,000 | 257 | FWA-4000AH |

Dimensions — in



1000-3000 A

4000 A

| Rated current (Amps) | B | C | D | Thread depth |
|----------------------|-----|-----|-----|---------------------------|
| 1000 to 2000 | 2 | 1 | - | Tapped 3/8"-24 x 1/2" UNF |
| 2500 to 3000 | 3 | 1.5 | - | Tapped 1/2"-20 x 1/2" UNF |
| 4000 | 3.5 | 1.5 | 1.5 | Tapped 1/2"-20 x 1/2" UNF |

1" = 25.4mm

Data sheets: 720001, 5785301

FWA

150 V a.c./V d.c. (UL), 70 to 1000 A

Specifications

Description

North American style bolted tag high speed fuse links used for the protection of DC common bus, DC drives, power converters / rectifiers and reduced rated voltage starters.

Technical Data

Rated voltage:

- 150 V a.c./V d.c. (UL)
- 80 V d.c. 1000 A only

Rated current: 70-1000 A.

Breaking capacity:

- 100 kA RMS Sym. (70-400 A).
- 200 kA RMS Sym. (450-1000 A).
- 20 kA at 150 V a.c./V d.c. (70-800 A)
- 100 kA at 80 V d.c. (70-1000 A)

Standards / Agency information

CE, UL Recognised JFHR2.E91958.

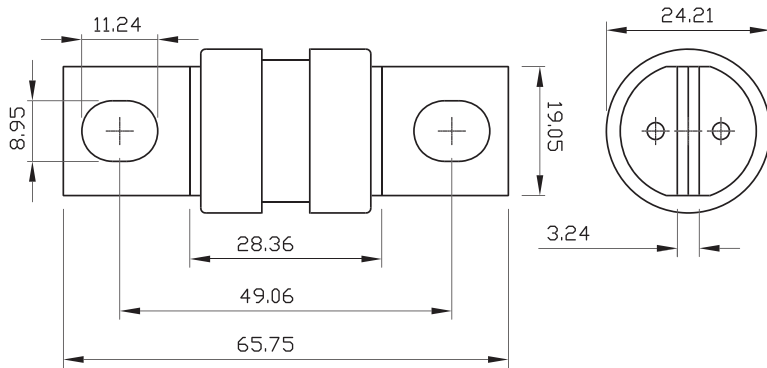


| Rated voltage | Rated current (Amps) | I ² t (A ² Sec) | | Watts loss (W) | Catalogue numbers |
|------------------------|----------------------|---------------------------------------|------------------------|----------------|-------------------|
| | | Pre-arcing | Clearing at 150 V a.c. | | |
| 150 V a.c./V d.c. (UL) | 70 | 470 | 4000 | 6.9 | FWA-70B |
| | 80 | 670 | 6000 | 7.7 | FWA-80B |
| | 100 | 1200 | 12,000 | 9 | FWA-100B |
| | 125 | 1870 | 18,000 | 11.2 | FWA-125B |
| | 150 | 2700 | 26,000 | 13.5 | FWA-150B |
| | 200 | 4780 | 45,000 | 17.6 | FWA-200B |
| | 250 | 7470 | 70,000 | 22.5 | FWA-250B |
| | 300 | 10,760 | 100,000 | 27 | FWA-300B |
| | 350 | 15,700 | 140,000 | 30.6 | FWA-350B |
| | 400 | 20,300 | 180,000 | 35.2 | FWA-400B |
| | 500 | 39,000 | 120,000 | 35 | FWA-500A |
| | 600 | 46,000 | 140,000 | 47 | FWA-600A |
| | 700 | 75,000 | 220,000 | 49 | FWA-700A |
| | 800 | 92,000 | 280,000 | 58 | FWA-800A |
| 80 V d.c. | 1000 | 170,000 | 510,000 | 60 | FWA-1000A |

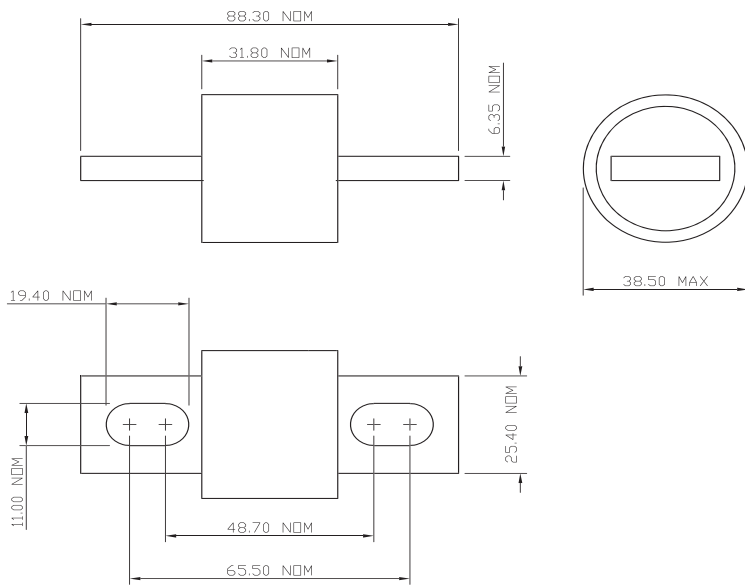
FWA

150 V a.c./V d.c. (UL), 70 to 1000 A

Dimensions - mm



70-400 A



500-1000 A

Data sheets: 720002, 5785310

FWX

250 V a.c./V d.c. (UL), 35 to 2500 A

Specifications

Description

North American style bolted tags and flush end high speed fuse links for the protection of DC common bus, DC drives, power converters/rectifiers and reduced rated voltage starters.

Technical Data

Rated voltage: 250 V a.c./V d.c. (UL).

Rated current: 35-2500 A.

Breaking capacity:

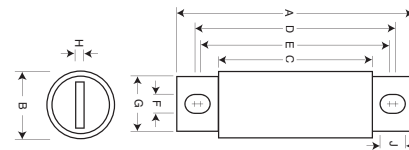
- 200 kA RMS Sym.
- 20 kA at 250 V d.c. (35-800 A).

Standards / Agency information

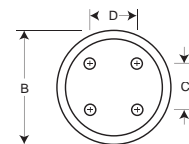
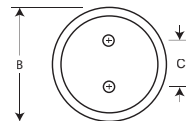
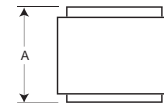
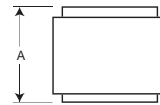
CE, UL Recognised file JFHR2.E56412 and CSA component acceptance on 35-800 A fuse links (20 kA IR at 250 V d.c.).



Dimensions - in



35-800 A



1000-1200 A

1500-2500 A

| Rated voltage | Rated current (Amps) | I^2t (A ² Sec) | | Watts loss (W) | Catalogue numbers |
|-------------------------------|----------------------|-----------------------------|------------------------|----------------|-------------------|
| | | Pre-arcing | Clearing at 250 V a.c. | | |
| | 35 | 50 | 230 | 4.2 | FWX-35A |
| | 40 | 60 | 310 | 5.2 | FWX-40A |
| | 45 | 80 | 390 | 5.7 | FWX-45A |
| | 50 | 100 | 520 | 6 | FWX-50A |
| | 60 | 140 | 740 | 8.1 | FWX-60A |
| | 70 | 330 | 1400 | 7.2 | FWX-70A |
| | 80 | 430 | 1850 | 8.1 | FWX-80A |
| | 90 | 570 | 2450 | 9 | FWX-90A |
| | 100 | 740 | 3150 | 10 | FWX-100A |
| | 125 | 1130 | 4850 | 12.5 | FWX-125A |
| | 150 | 1620 | 6950 | 15.7 | FWX-150A |
| | 175 | 2170 | 9300 | 18.5 | FWX-175A |
| | 200 | 2790 | 12,000 | 22 | FWX-200A |
| | 225 | 3210 | 14,700 | 24 | FWX-225A |
| 250 V a.c./ V d.c. (UL) | 250 | 3960 | 18,100 | 27 | FWX-250A |
| | 275 | 4720 | 21,600 | 31 | FWX-275A |
| | 300 | 6000 | 27,300 | 32 | FWX-300A |
| | 350 | 10,600 | 48,600 | 39 | FWX-350A |
| | 400 | 14,500 | 66,100 | 44 | FWX-400A |
| | 450 | 22,100 | 101,000 | 49 | FWX-450A |
| | 500 | 28,000 | 128,000 | 54 | FWX-500A |
| | 600 | 41,100 | 188,000 | 62 | FWX-600A |
| | 700 | 48,800 | 190,000 | 72 | FWX-700A |
| | 800 | 59,000 | 230,000 | 84 | FWX-800A |
| | 1000 | 44,000 | 360,000 | 100 | FWX-1000AH |
| | 1200 | 92,000 | 750,000 | 103 | FWX-1200AH |
| | 1500 | 120,000 | 880,000 | 140 | FWX-1500AH |
| | 1600 | 160,000 | 1,200,000 | 140 | FWX-1600AH |
| | 2000 | 320,000 | 2,300,000 | 151 | FWX-2000AH |
| | 2500 | 670,000 | 4,700,000 | 163 | FWX-2500AH |

| Amp range | A | B | C | D | E | F | G | H | J | Tapped thread depth |
|-----------|------|------|------|------|------|------|------|------|------|---------------------|
| 35-60 | 3.19 | 0.81 | 1.59 | 2.59 | 2.25 | 0.34 | 0.63 | 0.13 | 0.52 | - |
| 70-200 | 3.13 | 1.22 | 1.59 | 2.44 | 2.19 | 0.34 | 1 | 0.19 | 0.47 | - |
| 225-600 | 3.84 | 1.5 | 1.59 | 2.94 | 2.25 | 0.41 | 1 | 0.25 | 0.75 | - |
| 700-800 | 3.84 | 2 | 1.59 | 3.03 | 2.28 | 0.41 | 1.5 | 0.25 | 0.78 | - |
| 1000-1200 | 2.59 | 3 | 1.5 | - | - | - | - | - | - | 3/8"-24 x |
| 1500-2500 | 2.59 | 3.5 | 1.5 | 1.5 | - | - | - | - | - | 1/2" UNF |

1" = 25.4mm

FWH

500 V a.c./V d.c.¹ (UL), 35 to 1600 A

Specifications

Description

North American style bolted tags high speed fuse links, for the protection of DC common bus, power converters/rectifiers and reduced rated voltage starters.

Technical data

Rated voltage:

- 500 V a.c. (UL).
- 500 V d.c. (35-800 A only)

Rated current: 35-1600 A.

Breaking capacity:

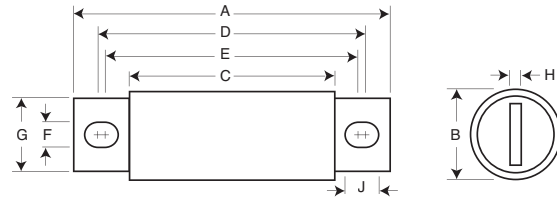
- 200 kA RMS Sym.
- 50 kA at 500 V d.c..

Standards / Agency information

CE, UL Recognition JFHR2.E91958 FWH_B (35-200 A) and FWH_A (1000 and 1200 A), JFHR2.E56412 FWH_A (225-800 A), CSA Component Acceptance Class 1422-30, File 53787 (35-1600 A)

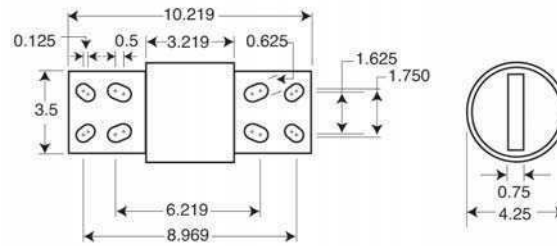


Dimensions - in



| Rated voltage | Rated current (Amps) | I ² t (A ² Sec) | | Watts loss (W) | Catalogue numbers |
|-------------------------------|----------------------|---------------------------------------|------------------------|----------------|-------------------|
| | | Pre-arcing | Clearing at 250 V a.c. | | |
| 500 V a.c./ V d.c. (UL) | 35 | 34 | 150 | 8 | FWH-35B |
| | 40 | 76 | 320 | 7.5 | FWH-40B |
| | 45 | 105 | 450 | 7.5 | FWH-45B |
| | 50 | 135 | 670 | 7.5 | FWH-50B |
| | 60 | 210 | 900 | 9.9 | FWH-60B |
| | 70 | 210 | 900 | 10.6 | FWH-70B |
| | 80 | 305 | 1400 | 12.7 | FWH-80B |
| | 90 | 360 | 1600 | 15 | FWH-90B |
| | 100 | 475 | 2000 | 17 | FWH-100B |
| | 125 | 800 | 3500 | 25 | FWH-125B |
| 500 V a.c./ V d.c. (UL) | 150 | 1100 | 4600 | 30 | FWH-150B |
| | 175 | 1450 | 6200 | 35 | FWH-175B |
| | 200 | 1900 | 8500 | 40 | FWH-200B |
| | 225 | 4600 | 23,300 | 39 | FWH-225A |
| | 250 | 6300 | 32,200 | 41 | FWH-250A |
| | 275 | 7900 | 40,300 | 46 | FWH-275A |
| | 300 | 9800 | 49,800 | 51 | FWH-300A |
| | 325 | 13,700 | 63,800 | 53 | FWH-325A |
| | 350 | 14,500 | 72,900 | 58 | FWH-350A |
| | 400 | 19,200 | 96,700 | 65 | FWH-400A |
| 500 V a.c./ V d.c. (UL) | 450 | 24,700 | 127,000 | 74 | FWH-450A |
| | 500 | 29,200 | 149,000 | 84 | FWH-500A |
| | 600 | 41,300 | 206,000 | 108 | FWH-600A |
| | 700 | 55,000 | 298,000 | 120 | FWH-700A |
| | 800 | 76,200 | 409,000 | 129 | FWH-800A |
| | 1000 | 92,000 | 450,000 | 145 | FWH-1000A |
| | 1200 | 122,000 | 600,000 | 180 | FWH-1200A |
| | 1400 | 200,000 | 1,000,000 | 210 | FWH-1400A |
| | 1600 | 290,000 | 1,400,000 | 230 | FWH-1600A |

35-1200 A



1400-1600 A - in

| Amp range | A | B | C | D | E | F | G | H | J |
|-----------|------------------|------|------|------|------|------|------|------|------|
| 35-60 | 3.19 | 0.81 | 1.59 | 2.54 | 2.19 | 0.34 | 0.72 | 0.13 | 0.52 |
| 70-100 | 3.62 | 0.95 | 1.74 | 2.85 | 2.81 | 0.35 | 0.75 | 0.13 | 0.38 |
| 125-200 | 3.62 | 1.16 | 1.84 | 2.89 | 2.77 | 0.34 | 1 | 0.19 | 0.41 |
| 225-400 | 4.34 | 1.5 | 2.09 | 3.44 | 2.75 | 0.41 | 1 | 0.25 | 0.75 |
| 450-600 | 14.34 | 2 | 2.09 | 3.53 | 2.78 | 0.41 | 1.5 | 0.25 | 0.78 |
| 700-800 | 6.34 | 2.5 | 2.09 | 4.97 | 3.44 | 0.53 | 2 | 0.38 | 1.30 |
| 1000-1200 | 6.97 | 3 | 3.22 | 5.47 | 4.48 | 0.62 | 2.38 | 0.44 | 1.12 |
| 1400-1600 | refer to drawing | | | | | | | | |

1" = 25.4mm

¹ 500 V d.c. for 35-800 A only.

Data sheets: 720007, 360 (225-800 A), 5785304 (35-200 A, 1000-1600 A)

KAC

600 V a.c. (UL), 1 to 1000 A

Specifications

Description

North American style bolted tags high speed fuse links. These fuse links are supplied as replacements only. For new installations, Bussmann recommends the 700 V FWP see pages 13-14.

Technical Data

Rated voltage: 600 V a.c. (UL).
 Rated current: 1-1000 A.
 Breaking capacity: 200 kA RMS Sym.

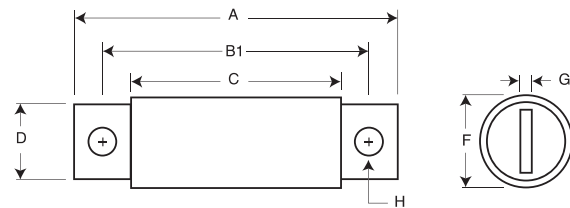
Standards / Agency information

CE, UL file JFHR2.E56413 (1-600 A only).

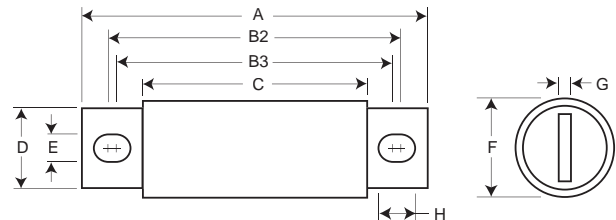


| Rated voltage | Rated current (Amps) | Catalogue numbers |
|-----------------|----------------------|-------------------|
| | 1 | KAC-1 |
| | 2 | KAC-2 |
| | 3 | KAC-3 |
| | 4 | KAC-4 |
| | 5 | KAC-5 |
| | 6 | KAC-6 |
| | 7 | KAC-7 |
| | 8 | KAC-8 |
| | 9 | KAC-9 |
| | 10 | KAC-10 |
| | 12 | KAC-12 |
| | 15 | KAC-15 |
| | 17.5 | KAC-17.5 |
| | 20 | KAC-20 |
| | 25 | KAC-25 |
| | 30 | KAC-30 |
| | 35 | KAC-35 |
| | 40 | KAC-40 |
| | 45 | KAC-45 |
| | 50 | KAC-50 |
| 600 V a.c. (UL) | 60 | KAC-60 |
| | 70 | KAC-70 |
| | 80 | KAC-80 |
| | 90 | KAC-90 |
| | 100 | KAC-100 |
| | 110 | KAC-110 |
| | 125 | KAC-125 |
| | 150 | KAC-150 |
| | 175 | KAC-175 |
| | 200 | KAC-200 |
| | 225 | KAC-225 |
| | 250 | KAC-250 |
| | 300 | KAC-300 |
| | 350 | KAC-350 |
| | 400 | KAC-400 |
| | 450 | KAC-450 |
| | 500 | KAC-500 |
| | 600 | KAC-600 |
| | 700 | KAC-700 |
| | 800 | KAC-800 |
| | 1000 | KAC-1000 |

Dimensions - in



1-30 and 450-1000 A



35-400 A

| Rated current (Amps) | A | B1 | B2 | B3 | C | D | E | F | G | H |
|----------------------|------|------|------|------|------|------|------|------|------|------|
| 1-30 | 2.88 | 2.5 | - | - | 1.88 | 0.41 | - | 0.56 | 0.06 | 0.26 |
| 35-60 | 4.38 | - | 3.75 | 3.50 | 2.75 | 0.63 | 0.34 | 0.81 | 0.09 | 0.47 |
| 70-100 | 5 | - | 4.06 | 3.66 | 2.75 | 0.75 | 0.41 | 1 | 0.13 | 0.61 |
| 110-200 | 5.14 | - | 4.39 | 3.77 | 2.91 | 1 | 0.41 | 1.5 | 0.19 | 0.72 |
| 225-400 | 6.18 | - | 4.82 | 4.57 | 3 | 1.63 | 0.56 | 2 | 0.25 | 0.69 |
| 450-800 | 6.25 | 4.75 | - | - | 3.06 | 2 | - | 2.5 | 0.25 | 0.56 |
| 1000 | 7.25 | 4.75 | - | - | 3.06 | 2.75 | - | 3.5 | 0.38 | 0.56 |

1" = 25.4mm

KBC

600 V a.c. (UL), 35 to 800 A

Specifications

Description

North American style bolted tags and flush-end high speed fuse links. These fuse links are supplied as replacements only. For new installations, Eaton's Bussmann business recommends the 700 V FWP fuse links, see pages 13-14.

Technical data

Rated voltage: 600 V a.c. (UL).
 Rated current: 35-800 A.
 Breaking capacity: 200 kA RMS Sym.

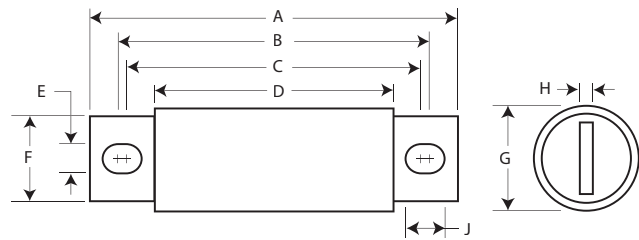
Standards / Agency information

CE, UL file JFHR2.E56412 (35-600 A only)

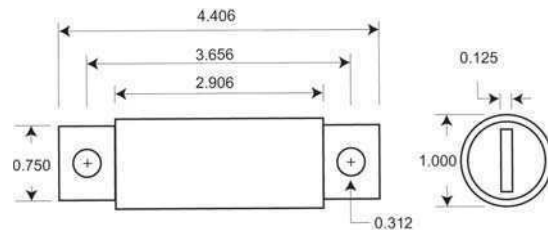


| Rated voltage | Rated current (Amps) | Catalogue numbers |
|-----------------|----------------------|-------------------|
| 600 V a.c. (UL) | 35 | KBC-35 |
| | 40 | KBC-40 |
| | 45 | KBC-45 |
| | 50 | KBC-50 |
| | 60 | KBC-60 |
| | 70 | KBC-70 |
| | 80 | KBC-80 |
| | 90 | KBC-90 |
| | 100 | KBC-100 |
| | 110 | KBC-110 |
| | 125 | KBC-125 |
| | 150 | KBC-150 |
| | 175 | KBC-175 |
| | 200 | KBC-200 |
| | 225 | KBC-225 |
| | 250 | KBC-250 |
| | 300 | KBC-300 |
| 350 | KBC-350 | |
| 400 | KBC-400 | |
| 450 | KBC-450 | |
| 500 | KBC-500 | |
| 600 | KBC-600 | |
| 800 | KBC-800 | |

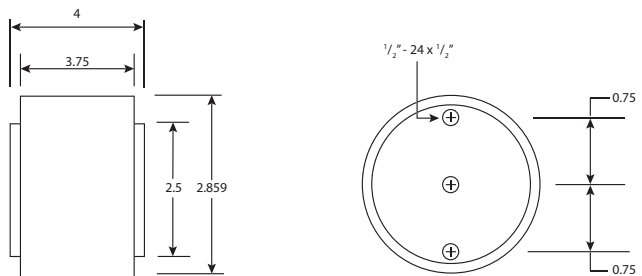
Dimensions - in



35-60 & 110-600 A



70-100 A



800 A

| Rated current (Amps) | A | B | C | D | E | F | G | H | J |
|----------------------|------------------|------|------|------|------|------|------|------|------|
| 35-60 | 4.38 | 3.75 | 3.50 | 2.75 | 0.34 | 0.63 | 0.81 | 0.09 | 0.47 |
| 70-100 | Refer to drawing | | | | | | | | |
| 110-200 | 4.41 | 3.72 | 3.59 | 2.91 | 0.31 | 0.88 | 1.22 | 0.19 | 0.38 |
| 225-400 | 5.13 | 4.19 | 3.56 | 2.91 | 0.41 | 1 | 1.5 | 0.25 | 0.72 |
| 450-600 | 5.13 | 4.39 | 3.69 | 2.88 | 0.41 | 1.5 | 2 | 0.25 | 0.76 |
| 800 | Refer to drawing | | | | | | | | |

1" = 25.4mm

FWP

700 V a.c./V d.c.(UL), 5 to 1200 A

Specifications

Description

North American style bolted tags high speed fuse links for the protection of DC common bus, DC drives, power converters/rectifiers, reduced rated voltage starters.

Technical data

Rated voltage: 700 V a.c./V d.c. (UL).

Rated current: 5-1200 A.

Breaking capacity:

- 200 kA RMS Sym.
- 50 kA at 700 V d.c. (type A)
- 50 kA at 500 V d.c. (type B)

Standards / Agency information

CE, UL Recognition JFHR2.E91958 FWP-_B (5-100 A, 700 -1200 A), JFHR2.E56412 FWP-_A (125-600 A) and CSA Component Acceptance file class 1422-30, (53787) on 5-800 A



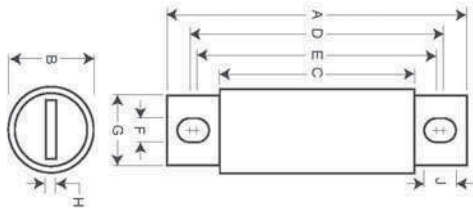
| Rated voltage | Rated current (Amps) | I ² t (A ² Sec) | | Watts loss (W) | Catalogue numbers |
|------------------------|----------------------|---------------------------------------|------------------------|----------------|-------------------|
| | | Pre-arcing | Clearing at 700 V a.c. | | |
| 700 V a.c./V d.c. (UL) | 5 | 1.6 | 11 | 1.5 | FWP-5B |
| | 10 | 3.6 | 22 | 4 | FWP-10B |
| | 15 | 10 | 70 | 5.5 | FWP-15B |
| | 20 | 26 | 180 | 6 | FWP-20B |
| | 25 | 44 | 320 | 7 | FWP-25B |
| | 30 | 58 | 450 | 9 | FWP-30B |
| | 35 | 34 | 160 | 12 | FWP-35B |
| | 40 | 76 | 320 | 12 | FWP-40B |
| | 50 | 135 | 600 | 12 | FWP-50B |
| | 60 | 210 | 950 | 15.5 | FWP-60B |
| | 70 | 305 | 2000 | 18 | FWP-70B |
| | 80 | 360 | 2400 | 21 | FWP-80B |
| | 90 | 415 | 2700 | 25 | FWP-90B |
| | 100 | 540 | 3500 | 27 | FWP-100B |
| | 125 | 1800 | 7300 | 28 | FWP-125A |
| | 150 | 2900 | 11,700 | 32 | FWP-150A |
| | 175 | 4200 | 16,700 | 35 | FWP-175A |
| | 200 | 5500 | 22,000 | 43 | FWP-200A |
| | 225 | 7700 | 31,300 | 45 | FWP-225A |
| | 250 | 10,500 | 42,500 | 48 | FWP-250A |
| | 300 | 17,600 | 71,200 | 58 | FWP-300A |
| | 350 | 23,700 | 95,600 | 65 | FWP-350A |
| | 400 | 31,000 | 125,000 | 78 | FWP-400A |
| | 450 | 36,400 | 137,000 | 94 | FWP-450A |
| 500 | 45,200 | 170,000 | 107 | FWP-500A | |
| 600 | 66,700 | 250,000 | 122 | FWP-600A | |
| 700 | 54,000 | 300,000 | 125 | FWP-700A | |
| 800 | 78,000 | 450,000 | 140 | FWP-800A | |
| 900 | 91,500 | 530,000 | 150 | FWP-900A | |
| 1000 | 120,000 | 600,000 | 170 | FWP-1000A | |
| 1200 | 195,000 | 1,100,000 | 190 | FWP-1200A | |

Data sheets: 720012, 5785316 (5-30 A), 361 (125-600 A), 5785308 (35-100 A, 700-1200 A)

FWP

700 V a.c./V d.c.(UL), 5 to 1200 A

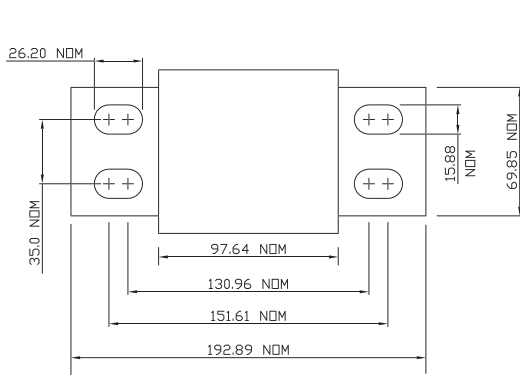
Dimensions



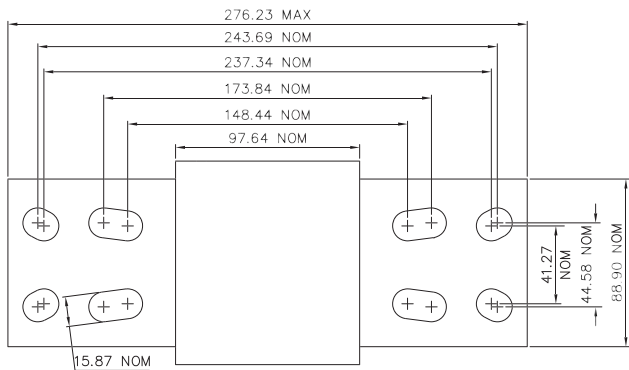
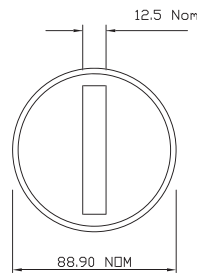
5-800 A - in

| Amp range | A | B | C | D | E | F | G | H | J |
|-----------|------------------|------|------|------|------|------|------|------|------|
| 5-30 | 2.87 | 0.56 | 1.86 | 2.48 | 2.48 | 0.25 | 0.41 | 0.06 | 0.25 |
| 35-60 | 4.38 | 0.81 | 2.75 | 3.71 | 3.31 | 0.34 | 0.73 | 0.13 | 0.54 |
| 70-100 | 4.41 | 0.95 | 2.59 | 3.63 | 3.56 | 0.34 | 0.75 | 0.13 | 0.38 |
| 125-200 | 5.09 | 1.5 | 2.84 | 4.19 | 3.5 | 0.41 | 1 | 0.25 | 0.75 |
| 225-400 | 5.09 | 2 | 2.84 | 4.28 | 3.53 | 0.41 | 1.5 | 0.25 | 0.78 |
| 450-600 | 7.09 | 2.5 | 2.84 | 5.72 | 4.19 | 0.53 | 2 | 0.38 | 1.3 |
| 700-800 | 6.63 | 2 | 2.76 | 5.56 | 5.06 | 0.63 | 1.5 | 0.25 | 0.88 |
| 900-1000 | Refer to drawing | | | | | | | | |
| 1200 | Refer to drawing | | | | | | | | |

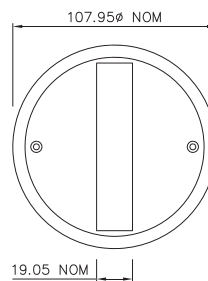
1" = 25.4mm



900-1000 A - mm



1200 A - mm



Data sheets: 720012, 5785316 (5-30 A), 361 (125-600 A), 5785308 (35-100 A, 700-1200 A)

FWJ

1000 V a.c. / 800 V d.c. (UL), 35 to 2000 A

Specifications

Description

North American style bolted tags high speed fuse links for the protection of DC common bus, DC drives power converters/ rectifiers, reduced rated voltage starters.

Technical data

Rated voltage:

- 1000 V a.c. (UL)
- 800 V d.c. (UL)

Rated current: 35-2000 A.

Breaking capacity:

- 25kA RMS Sym. (35-200 A).
- 100 kA RMS Sym. (250-2000 A).
- 50 kA at 800 V d.c. (35-200 A and 450-600 A).

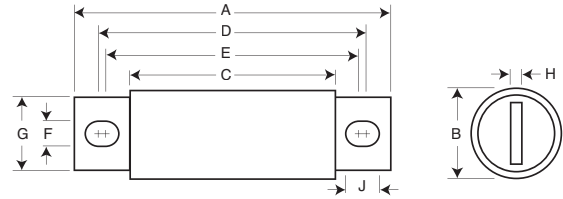
Standards / Agency information

CE, UL Recognition JFHR8.E91958 on 50-600 A only

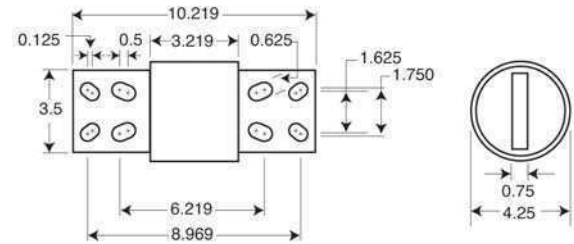


| Rated voltage | Rated current (Amps) | I ² t (A ² Sec) | | Watts loss (W) | Catalogue numbers |
|-----------------|----------------------|---------------------------------------|-------------------------|----------------|-------------------|
| | | Pre-arcing | Clearing at 1000 V a.c. | | |
| | 35 | 210 | 2000 | 7 | FWJ-35A |
| | 40 | 300 | 2500 | 8 | FWJ-40A |
| | 50 | 470 | 3500 | 10 | FWJ-50A |
| | 60 | 670 | 5000 | 11 | FWJ-60A |
| | 70 | 1100 | 6900 | 12 | FWJ-70A |
| | 80 | 1550 | 9700 | 13 | FWJ-80A |
| | 90 | 1900 | 12,000 | 14 | FWJ-90A |
| | 100 | 2800 | 17,500 | 15 | FWJ-100A |
| | 125 | 4800 | 35,000 | 16 | FWJ-125A |
| | 150 | 6300 | 45,000 | 25 | FWJ-150A |
| | 175 | 7500 | 65,000 | 30 | FWJ-175A |
| 1000 V a.c. | 200 | 11,700 | 80,000 | 32 | FWJ-200A |
| 800 V d.c. (UL) | 250 | 16,000 | 112,000 | 50 | FWJ-250A |
| | 300 | 23,500 | 164,000 | 56 | FWJ-300A |
| | 350 | 33,000 | 231,000 | 62 | FWJ-350A |
| | 400 | 47,000 | 330,000 | 67 | FWJ-400A |
| | 500 | 39,500 | 329,000 | 95 | FWJ-500A |
| | 600 | 61,000 | 520,000 | 105 | FWJ-600A |
| | 800 | 87,000 | 500,000 | 182 | FWJ-800A |
| | 1000 | 190,000 | 1,100,000 | 206 | FWJ-1000A |
| | 1200 | 370,000 | 2,100,000 | 240 | FWJ-1200A |
| | 1400 | 470,000 | 2,700,000 | 248 | FWJ-1400A |
| | 1600 | 700,000 | 4,000,000 | 267 | FWJ-1600A |
| | 1800 | 925,000 | 5,300,000 | 239 | FWJ-1800A |
| | 2000 | 1,330,000 | 7,600,000 | 244 | FWJ-2000A |

Dimensions - in



35-1200 A



1400-2000 A

| Amp range | A | B | C | D | E | F | G | H | J |
|-----------|------------------|------|------|------|------|------|------|------|------|
| 35-60 | 3.19 | 0.81 | 1.59 | 2.54 | 2.19 | 0.34 | 0.72 | 0.13 | 0.52 |
| 70-100 | 3.62 | 0.95 | 1.74 | 2.85 | 2.81 | 0.35 | 0.75 | 0.13 | 0.38 |
| 125-200 | 3.62 | 1.16 | 1.84 | 2.89 | 2.77 | 0.34 | 1 | 0.19 | 0.41 |
| 225-400 | 4.34 | 1.5 | 2.09 | 3.44 | 2.75 | 0.41 | 1 | 0.25 | 0.75 |
| 450-600 | 14.34 | 2 | 2.09 | 3.53 | 2.78 | 0.41 | 1.5 | 0.25 | 0.78 |
| 700-800 | 6.34 | 2.5 | 2.09 | 4.97 | 3.44 | 0.53 | 2 | 0.38 | 1.30 |
| 1000-1200 | 6.97 | 3 | 3.22 | 5.47 | 4.48 | 0.62 | 2.38 | 0.44 | 1.12 |
| 1400-1600 | refer to drawing | | | | | | | | |

1" = 25.4mm

Data sheets: 720027, 5785303 (35-600 A), 5785309 (800-2000 A),

British Standard BS88 fuse links

LCT, LET

240 V a.c./150 V d.c. (IEC),

250-280 V a.c./150 V d.c. (UL), 6 to 180 A

Specifications

Description

BS88 style bolted tags fuse high speed links for the protection of DC common bus, DC drives, power converters/rectifiers and reduced rated voltage starters. Low Watts loss in a compact size.

Technical Data

Rated voltage:

- LCT 240 V a.c./150 V d.c. (IEC)
250 V a.c./150 V d.c. (UL).
- LET 280 V a.c./150 V d.c. (UL, 25-160 A).
250 V a.c./150 V d.c. (UL 180 A).

Rated current: 6-180 A.

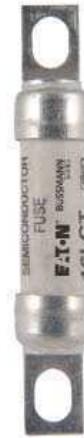
Breaking capacity:

- 200 kA RMS Sym.
- 50 kA DC at 125V d.c..
- 100 kA at 80 V d.c. (70-1000 A).

Operating Class: aR.

Standards / Agency information

CE, designed and tested to BS88 part 4, IEC 60269 Part 4, UL Recognised and CCC (LCT only). All fuse links have been tested at 318V a.c.. Consult Eaton's Bussmann business for specific UL recognition status.



| Fuse link type | Rated voltage | Rated current (Amps) | I ² t (A ² Sec) | | Watts loss (W) | Catalogue numbers |
|----------------|---|----------------------|---------------------------------------|------------------------|----------------|-------------------|
| | | | Pre-arcing | Clearing at 240 V a.c. | | |
| LCT | 240 V a.c. / 150 V d.c. (IEC) 250 V a.c. / 150 V d.c. (UL) | 6 | 2 | 9 | 1 | 6LCT |
| | | 10 | 3.8 | 22 | 2.5 | 10LCT |
| | | 12 | 7 | 32 | 2.5 | 12LCT |
| | | 16 | 20 | 100 | 2.5 | 16LCT |
| | | 20 | 25 | 160 | 4 | 20LCT |
| | | 25 | 18 | 250 | 4 | 25LET |
| LET | 280 V a.c. / 150 V d.c. (UL) | 32 | 32 | 450 | 5 | 32LET |
| | | 35 | 50 | 600 | 5 | 35LET |
| | | 50 | 100 | 1400 | 7 | 50LET |
| | | 63 | 180 | 2200 | 9 | 63LET |
| | | 80 | 300 | 3800 | 10 | 80LET |
| | | 100 | 600 | 7500 | 10 | 100LET |
| | | 125 | 600 | 7500 | 16 | 125LET |
| 160 | 1100 | 16,000 | 20 | 160LET | | |
| | 250 V a.c. / 150 V d.c. (UL) | 180 | 1600 | 29,000 | 21 | 180LET |

Note: 7LET, 10LET, 12LET and 16LET are available for replacement purposes on existing equipment.

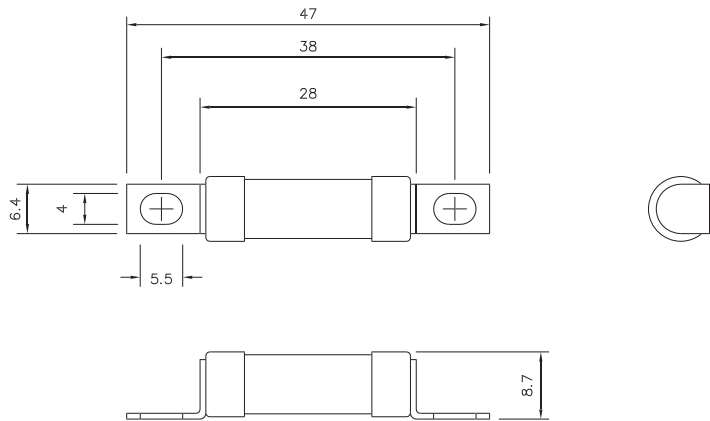
Data sheets: 720004, 5785296 (LCT), 5785293 (LET)

LCT, LET

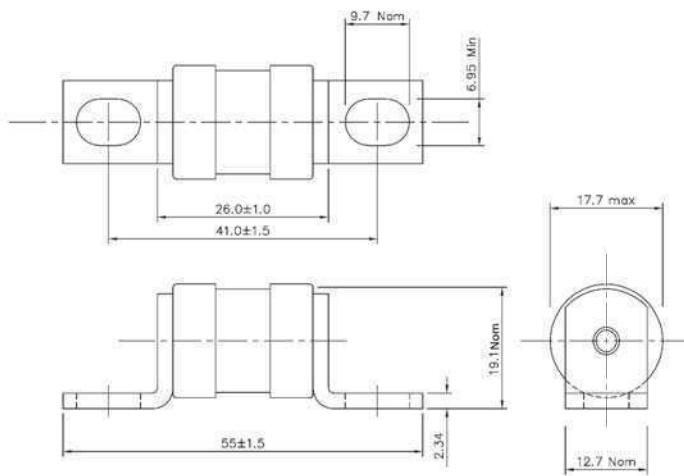
240 V a.c./150 V d.c. (IEC),

250-280 V a.c./150 V d.c. (UL), 6 to 180 A

Dimensions - mm



LCT



LET

Indicator (optional).

LMT, LMMT

240 V a.c./150 V d.c. (IEC), 250 V a.c./150 V d.c. (UL),
160 to 900 A



Specifications

Description

BS88 style bolted tags high speed fuse links for the protection of DC common bus, DC drives, power converters/rectifiers and reduced rate voltage starters. Low watts loss in a compact size.

Technical Data

Rated voltage:

- 240 V a.c./150 V d.c. (IEC)
- 250 V a.c./150 V d.c. (UL).

Rated current:

- 160-900 A.

Breaking capacity:

- 200 kA RMS Sym., 40 kA at 150 V d.c. (IEC).
- 200 kA RMS Sym., 50 kA at 150 V d.c. (UL).

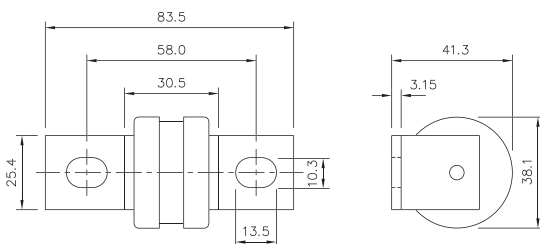
Operating Class: aR.

Standards / Agency information

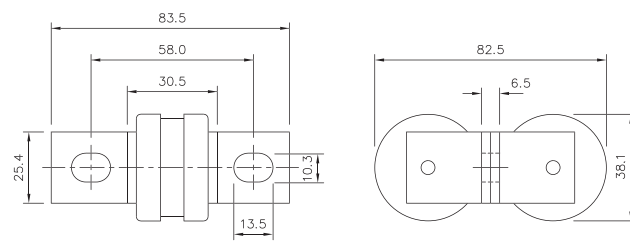
CE, designed and tested to BS88 part 4, IEC 60269 Part 4, UL recognised and CCC. All fuse links have been tested at 318V a.c.. Consult Eaton's Bussmann business for specific UL recognition status.

| Fuse link type | Rated voltage | Rated current (Amps) | I ² t (A ² Sec) | | | Watts loss (W) | Catalogue numbers |
|----------------|---|----------------------|---------------------------------------|------------------------|------------------------|----------------|-------------------|
| | | | Pre-arcing | Clearing at 120 V a.c. | Clearing at 240 V a.c. | | |
| LMT | 240 V a.c. / 150 V d.c. (IEC) 250 V a.c. / 150 V d.c. (UL) | 160 | 1100 | 7000 | 16,000 | 17 | 160LMT |
| | | 200 | 1500 | 10,000 | 20,000 | 28 | 200LMT |
| | | 250 | 3200 | 20,000 | 40,000 | 28 | 250LMT |
| | | 315 | 6000 | 35,000 | 75,000 | 35 | 315LMT |
| | | 355 | 8000 | 50,000 | 100,000 | 35 | 355LMT |
| | | 400 | 14,000 | 70,000 | 160,000 | 40 | 400LMT |
| LMMT | 240 V a.c. / 150 V d.c. (IEC) 250 V a.c. / 150 V d.c. (UL) | 400 | 6000 | 35,000 | 80,000 | 60 | 400LMMT |
| | | 500 | 14,000 | 80,000 | 170,000 | 64 | 500LMMT |
| | | 630 | 24,000 | 150,000 | 300,000 | 75 | 630LMMT |
| | | 710 | 32,000 | 200,000 | 460,000 | 77 | 710LMMT |
| | | 800 | 52,000 | 300,000 | 600,000 | 82 | 800LMMT |
| | | 900 | 75,000 | 400,000 | 800,000 | 97 | 900LMMT |

Dimensions - mm



LMT Indicator (optional)



LMMT Indicator (optional)

Data sheets: 720004, 5785294 (LMT), 5785295 (LMMT)

CT, ET, FE, EET, FEE

690 V a.c./500 V d.c. (IEC), 700 V a.c./500 V d.c. (UL),
6 to 200 A

Specifications

Description

BS88 style bolted tags high speed fuse links for the protection of DC common bus, DC drives, power converters / rectifiers and reduced rated voltage starters.

Technical data

Rated voltage:

- 690 V a.c./500 V d.c. (IEC)
- 700 V a.c./500 V d.c. (UL).

Rated current: 6-200 A.

Breaking capacity:

- CT: 90 kA RMS Sym., 40 kA at 500 V d.c. (IEC).
- 200 kA RMS Sym., 50 kA at 500 V d.c. (UL).
- ET, EET, FE and FEE: 200 kA RMS Sym., 50 kA at 500 V d.c..

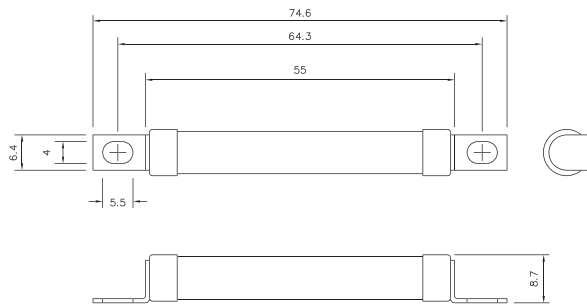
Operating Class: aR.

Standards / Agency information

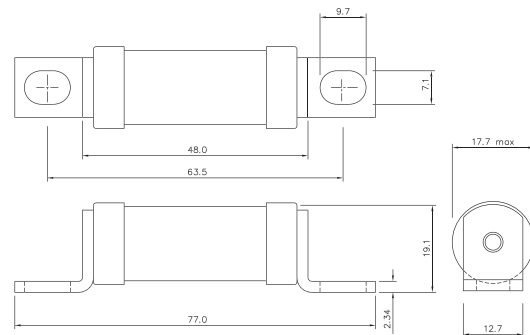
CE, designed and tested to BS88 part 4, IEC 60269 Part 4, Consult Eaton's Bussmann business for specific UL Recognition status. CCC for ET, FE, EET, FEE.



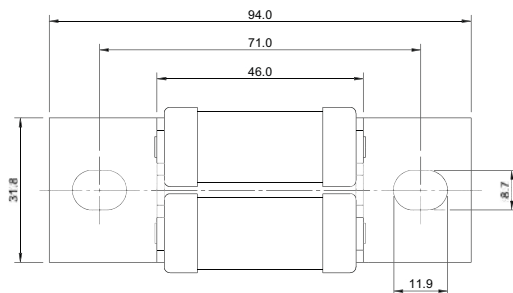
Dimensions - mm



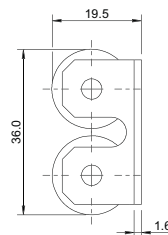
CT



ET, FE



EET, FEE



Data sheets: 5785312 (CT, ET), 5785314 (FE), 5785313 (EET), 5785292 (FEE)

CT, ET, FE, EET, FEE

690 V a.c./500 V d.c. (IEC), 700 V a.c./500 V d.c. (UL),

6 to 200 A

| Fuse link type | Rated voltage | Rated current (Amps) | I ² t (A ² Sec) | | | Watts loss (W) | Catalogue numbers |
|----------------|---|----------------------|---------------------------------------|-----------------------|------------------------|----------------|-------------------|
| | | | Pre-arcing | Clearing at 415V a.c. | Clearing at 660 V a.c. | | |
| CT | 690 V a.c. / 500 V d.c. (IEC) 700 V a.c. / 500 V d.c. (UL) | 6 | 1.8 | 8.5 | 12 | 2 | 6CT |
| | | 10 | 7 | 30 | 48 | 3 | 10CT |
| | | 12 | 10 | 40 | 65 | 3 | 12CT |
| | | 16 | 16 | 66 | 110 | 7 | 16CT |
| | | 20 | 32 | 150 | 220 | 7 | 20CT |
| ET | 690 V a.c. / 500 V d.c. (IEC) 700 V a.c. / 500 V d.c. (UL) | 25 | 25 | 150 | 250 | 7 | 25ET |
| | | 32 | 32 | 190 | 350 | 11 | 32ET |
| | | 35 | 52 | 310 | 500 | 11 | 35ET |
| | | 40 | 103 | 600 | 900 | 9 | 40ET |
| | | 45 | 103 | 680 | 1100 | 11 | 45ET |
| | | 56 | 135 | 950 | 1500 | 14 | 56ET |
| | | 63 | 171 | 1200 | 2000 | 16 | 63ET |
| | | 80 | 360 | 2500 | 4000 | 18 | 80ET |
| FE | 690 V a.c. / 500 V d.c. (IEC) 700 V a.c. / 500 V d.c. (UL) | 35 | 33 | 130 | 200 | 9 | 35FE |
| | | 40 | 52 | 180 | 300 | 9 | 40FE |
| | | 45 | 76 | 270 | 450 | 11 | 45FE |
| | | 50 | 103 | 380 | 600 | 11 | 50FE |
| | | 63 | 135 | 480 | 750 | 12 | 63FE |
| | | 71 | 210 | 600 | 950 | 17 | 71FE |
| | | 80 | 250 | 900 | 1500 | 20 | 80FE |
| | | 90 | 360 | 1300 | 2100 | 20 | 90FE |
| EET | 690 V a.c. / 500 V d.c. (IEC) 700 V a.c. / 500 V d.c. (UL) | 90 | 490 | 300 | 4500 | 19 | 90EET |
| | | 110 | 600 | 4000 | 6500 | 27 | 110EET |
| | | 140 | 1050 | 7000 | 12,000 | 35 | 140EET |
| FEE | 690 V a.c. / 500 V d.c. (IEC) 700 V a.c. / 500 V d.c. (UL) | 160 | 1500 | 10,000 | 17,000 | 39 | 160EET |
| | | 100 | 400 | 1600 | 2400 | 24 | 100FEE |
| | | 120 | 540 | 1900 | 3100 | 32 | 120FEE |
| | | 140 | 850 | 2500 | 3800 | 36 | 140FEE |
| | | 160 | 1000 | 3700 | 5700 | 46 | 160FEE |
| | | 180 | 1400 | 5300 | 8400 | 46 | 180FEE |
| | | 200 | 1900 | 7100 | 11,400 | 52 | 200FEE |

Note: FC, 8ET, 12ET, 15ET, 20ET, 65EET and 75EET are available for replacement purposes on existings equipment.

FM, FMM, MT, MMT

690 V a.c./350-450 V d.c. (IEC),
700 V a.c./500 V d.c. (UL), 160 to 710 A

Specifications

Description

BS88 style bolted tags high speed fuse links for the protection of DC common bus, DC drives, power converters / rectifiers and reduced voltage starters.

Technical data

Rated voltage:

- FM: 690 V a.c./450 V d.c. (IEC); 700 V a.c./500 V d.c. (UL).
- FMM: 690 V a.c./450 V d.c. (IEC); 700 V a.c. (UL).
- MT and MMT: 690 V a.c./350 V d.c. (IEC); 700 V a.c. (UL).

Rated current: 160-710 A.

Breaking capacity:

- FM: 200 kA RMS Sym. (IEC/UL), 40 kA at 450 V d.c. (IEC), 50 kA at 500 V d.c. (UL).
- FMM: 200 kA RMS Sym. (IEC/UL), 40 kA at 450 V d.c. (IEC).
- MT & MMT: 200 kA RMS Sym. (IEC/UL), 40 kA at 350 V d.c. (IEC).

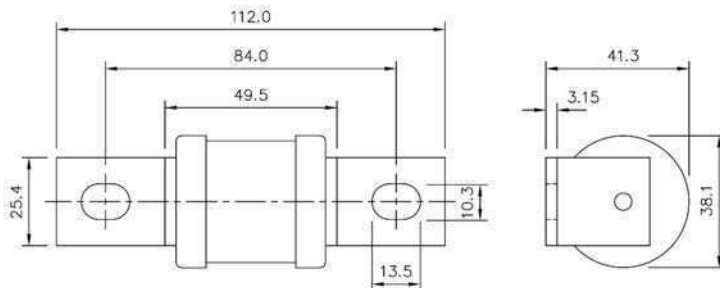
Operating Class: aR.

Standards / Agency information

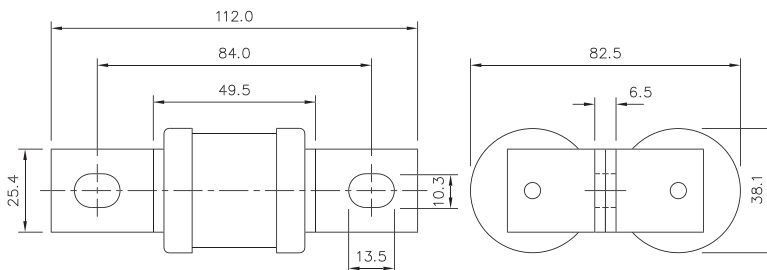
CE, designed and tested to BS88 part 4, IEC 60269 Part 4, UL Recognised. MT and MMT 350 V d.c. (IEC) rating. Consult Eaton's Bussmann business for specific UL Recognition status. CCC for FM and FMM.



Dimensions - mm



FM, MT Indicator (optional)



FMM, MMT Indicator (optional)

Data sheets: 5785314 (FM), 5785313 (MT), 5785292 (FMM), 5785311 (MMT)

FM, FMM, MT, MMT

690 V a.c./350-450 V d.c. (IEC),
700 V a.c./500 V d.c. (UL), 160 to 710 A

| Fuse link type | Rated voltage | Rated current (Amps) | I ² t (A ² Sec) | | | Watts loss (W) | Catalogue numbers |
|----------------|---|----------------------|---------------------------------------|-----------------------|------------------------|----------------|-------------------|
| | | | Pre-arcing | Clearing at 415V a.c. | Clearing at 660 V a.c. | | |
| FM | 690 V a.c. / 450 V d.c. (IEC) 700 V a.c. / 500 V d.c. (UL) | 180 | 1400 | 7500 | 13,500 | 40 | 180FM |
| | | 200 | 2600 | 10,500 | 18,500 | 40 | 200FM |
| | | 225 | 3700 | 14,500 | 26,500 | 44 | 225FM |
| | | 250 | 5200 | 20,500 | 37,500 | 48 | 250FM |
| | | 280 | 7000 | 30,500 | 55,000 | 48 | 280FM |
| | | 315 | 10,000 | 40,000 | 77,000 | 55 | 315FM |
| | | 350 | 15,000 | 60,000 | 105,000 | 55 | 350FM |
| FMM | 690 V a.c. / 450 V d.c. (IEC) 700 V a.c. (UL) | 400 | 10,000 | 40,000 | 72,500 | 85 | 400FMM |
| | | 450 | 15,000 | 60,000 | 105,000 | 90 | 450FMM |
| | | 500 | 20,000 | 82,000 | 150,000 | 100 | 500FMM |
| | | 550 | 30,000 | 120,000 | 215,000 | 100 | 550FMM |
| | | 630 | 45,000 | 180,000 | 310,000 | 100 | 630FMM |
| MT | 690 V a.c. / 350 V d.c. (IEC) 700 V a.c. (UL) | 700 | 60,000 | 245,000 | 420,000 | 120 | 700FMM |
| | | 160 | 2400 | 15,000 | 25,000 | 26 | 160MT |
| | | 180 | 3800 | 25,000 | 38,000 | 26 | 180MT |
| | | 200 | 6000 | 40,000 | 58,000 | 27 | 200MT |
| | | 250 | 11,500 | 80,000 | 110,000 | 32 | 250MT |
| | | 280 | 16,500 | 100,000 | 150,000 | 35 | 280MT |
| | | 315 | 19,000 | 125,000 | 180,000 | 42 | 315MT |
| MMT | 690 V a.c. / 350 V d.c. (IEC) 700 V a.c. (UL) | 355 | 22,000 | 160,000 | 200,000 | 51 | 355MT |
| | | 180 | 1650 | 12,000 | 18,000 | 42 | 180MMT |
| | | 200 | 2200 | 16,000 | 23,000 | 42 | 200MMT |
| | | 225 | 3700 | 26,000 | 40,000 | 42 | 225MMT |
| | | 280 | 6600 | 47,000 | 70,000 | 47 | 280MMT |
| | | 315 | 8600 | 62,000 | 91,000 | 51 | 315MMT |
| | | 355 | 13,500 | 97,000 | 140,000 | 54 | 355MMT |
| | | 400 | 21,000 | 150,000 | 220,000 | 60 | 400MMT |
| | | 450 | 30,000 | 220,000 | 320,000 | 57 | 450MMT |
| | | 500 | 42,000 | 300,000 | 450,000 | 64 | 500MMT |
| | | 560 | 60,000 | 430,000 | 640,000 | 64 | 560MMT |
| | | 630 | 68,500 | 500,000 | 720,000 | 86 | 630MMT |
| | | 710 | 78,000 | 600,000 | 850,000 | 105 | 710MMT |

Data sheets: 5785314 (FM), 5785313 (MT), 5785292 (FMM), 5785311 (MMT)

Ferrule fuse links

10 x 38 mm and 21 x 51 mm, FWA

150 V a.c./V d.c. (UL), 5 to 60 A

Specifications

Description

Ferrule style high speed fuse links for the protection of DC common bus, DC drives, power converters / rectifiers and reduced rated voltage starters.

Technical data

Rated voltage: 150 V a.c. (UL).

Rated current: 5-60 A.

Breaking capacity:

- 200 kA RMS Sym.
- 50 kA DC at 150 V d.c..

Operating class: aR.

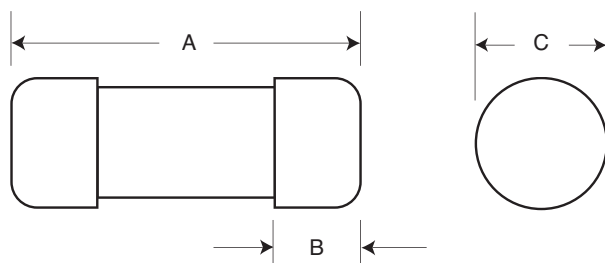
Standards / Agency information

CE, UL recognised.



| Fuse link size | Rated voltage | Rated current (Amps) | Pt (A ² Sec) | | Watts loss (W) | Catalogue numbers |
|------------------------------|-----------------------------|----------------------|-------------------------|------------------------|----------------|-------------------|
| | | | Pre-arcing | Clearing at 150 V a.c. | | |
| 10 x 38 mm (13/32" x 1½") | 150 V a.c. / V d.c. (UL) | 5 | 1.6 | 8 | 2 | FWA-5A10F |
| | | 10 | 3.6 | 16 | 2.7 | FWA-10A10F |
| | | 15 | 14 | 50 | 3.3 | FWA-15A10F |
| | | 20 | 33 | 130 | 3.8 | FWA-20A10F |
| | | 25 | 58 | 220 | 4.9 | FWA-25A10F |
| | | 30 | 100 | 400 | 4.9 | FWA-30A10F |
| 21 x 51 mm (13/16" x 2") | 150 V a.c. / V d.c. (UL) | 35 | 75 | 800 | 4.5 | FWA-35A21F |
| | | 40 | 100 | 1000 | 5.1 | FWA-40A21F |
| | | 45 | 130 | 1300 | 6 | FWA-45A21F |
| | | 50 | 170 | 1600 | 7.3 | FWA-50A21F |
| | | 55 | 210 | 2100 | 8 | FWA-55A21F |
| | | 60 | 250 | 2400 | 8 | FWA-60A21F |

Dimensions - in (mm)



| Amp range | A | B | C |
|-----------|------------|-------------|-------------|
| 5-30 | 1.5 (38.1) | 0.38 (9.5) | 0.41 (10.3) |
| 35-60 | 2 (50.8) | 0.63 (15.9) | 0.81 (20.6) |

Data sheets: 720003,5785317 (5-30 A), 5785305 (35-60 A)

14 x 51 mm, FWX

250 V a.c./V d.c. (UL), 1 to 50 A

Specifications

Description

Ferrule style high speed fuse links for the protection of DC common bus, DC drives, power converters/rectifiers rated voltage starters.

Technical data

Rated voltage:

- 250 V a.c. (UL, all ratings)
- 250 V d.c. (UL, 5-50 A only).

Rated current: 1-50 A.

Breaking capacity:

- 200 kA RMS Sym. (UL, all ratings)
- 50 kA at 250 V d.c. (UL, 5-30 A only).

Operating class: aR.

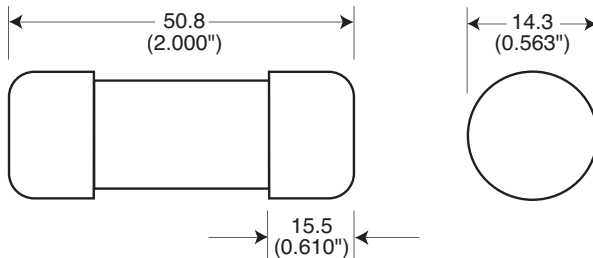
Standards / Agency information

CE, UL recognised 1-50 A & CSA component acceptance: 5-30 A.



| Fuse link size | Rated voltage | Rated current (Amps) | I ² t (A ² Sec) | | Watts loss (W) | Catalogue numbers |
|---------------------------|---------------------------|----------------------|---------------------------------------|------------------------|----------------|-------------------|
| | | | Pre-arcing | Clearing at 250 V a.c. | | |
| 14 x 51mm (9/16" x 2") | 250 V a.c. (UL) | 1 | 0.03 | 0.4 | 5.7 | FWX-1A14F |
| | | 2 | 0.08 | 0.1 | 8.6 | FWX-2A14F |
| | | 3 | 0.11 | 0.26 | 2.8 | FWX-3A14F |
| | | 4 | 0.1 | 0.23 | 3 | FWX-4A14F |
| | 250 V a.c./V d.c. (UL) | 5 | 1.6 | 13 | 1.3 | FWX-5A14F |
| | | 10 | 3.6 | 24 | 3.4 | FWX-10A14F |
| | | 15 | 14 | 83 | 3.8 | FWX-15A14F |
| | | 20 | 33 | 200 | 4.6 | FWX-20A14F |
| | | 25 | 58 | 300 | 5.3 | FWX-25A14F |
| | | 30 | 100 | 500 | 5.9 | FWX-30A14F |
| | | 50 | 200 | 1800 | 5.7 | FWX-50A14F |

Dimensions - mm (in)



6 x 32 mm, FWH

500 V a.c. (UL), 0.25 to 30 A

Specifications

Description

Ferrule style high speed fuse links for the protection of DC common bus, DC drives, power converters/rectifiers and reduced rated voltage starters.

Technical data

Rated voltage:

- 500 V a.c. (UL)
- 600 V d.c. (UL, 2A and 5A only).

Rated current: 0.25-30 A.

Breaking capacity:

- 50 kA (0.25-20 A)
- 20 kA (25-30 A)¹
- 50 kA at 600 V d.c. (UL 2 and 5A only).

Operating class: aR.

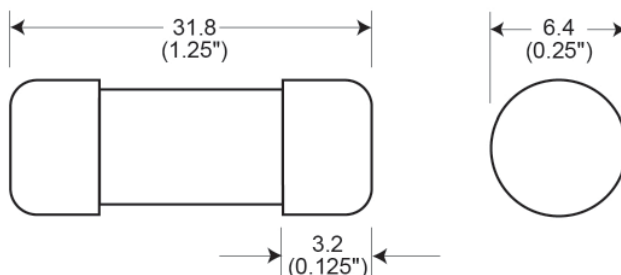
Standards / Agency information

CE, UL recognised 0.25-30 A including 2A at 1000 V a.c., CSA component
Acceptance: 0.25-7 A.



| Fuse link size | Rated voltage | Rated current (Amps) | I ² t (A ² Sec) | | Watts loss (W) | Catalogue numbers |
|-------------------------|---------------------------------|----------------------|---------------------------------------|------------------------|----------------|-------------------|
| | | | Pre-arcing | Clearing at 500 V a.c. | | |
| 6 x 32 mm (¼" x 1¼") | 500 V a.c. (UL) | 0.25 | 0.01 | 0.05 | 2.7 | FWH-250A6F |
| | | 0.5 | 0.05 | 0.25 | 1.2 | FWH-500A6F |
| | | 1 | 0.4 | 2 | 1.7 | FWH-001A6F |
| | 500 V a.c. / 600 V d.c. (UL) | 2 | 1.3 | 3.5 | 3.2 | FWH-002A6F |
| | | 3.15 | 3.1 | 7.7 | 2.9 | FWH-3-15A6F |
| | 500 V a.c. / 600 V d.c. (UL) | 5 | 15 | 40 | 2.1 | FWH-005A6F |
| | | 6.3 | 36 | 90 | 2.3 | FWH-6-30A6F |
| | 500 V a.c. (UL) | 7 | 50 | 125 | 2.5 | FWH-007A6F |
| | | 10 | 9.9 | 139 | 2.86 | FWH-010A6F |
| | | 12.5 | 20 | 60 | 3.53 | FWH-12-5A6F |
| | | 15 | 44 | 146 | 3.08 | FWH-015A6F |
| | | 16 | 48 | 177 | 4.48 | FWH-016A6F |
| | | 20 | 75 | 259 | 4.26 | FWH-020A6F |
| | | 25 | 126 | 345 | - | FWH-025A6F |
| | | 30 | 145 | 430 | - | FWH-030A6F |

Dimensions - mm (in)



¹ Tested at PF = 76%.

Data sheets: 720038, 5785256 (0.25-7A), 50955 (10-30 A)

14 x 51 mm, FWH

500 V a.c./V d.c. (UL), 1 to 30 A

Specifications

Description

Ferrule style high speed fuse links for the protection of DC common bus, DC drives, power converters/rectifiers and reduced rated voltage starters.

Technical data

Rated voltage:

- 500 V a.c. (UL, all ratings)
- 500 V d.c. (UL, 5-30 A only)

Rated current: 1-30 A

Breaking capacity:

- 200 kA RMS Sym. all ratings
- 50 kA at 500 V d.c. 5-30 A only

Operating class: aR

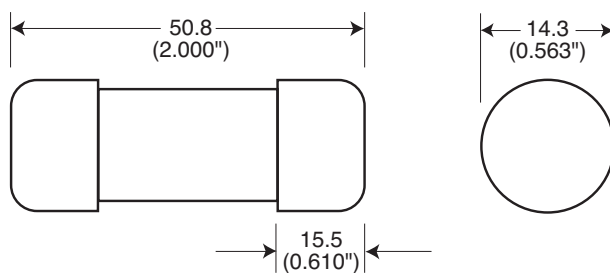
Standards / Agency information

CE, UL Recognised 1-30 A & CSA Component Acceptance: 5-30 A.



| Fuse link size | Rated voltage | Rated current (Amps) | I ² t (A ² Sec) | | Watts loss (W) | Catalogue numbers |
|--|---------------------------|----------------------|---------------------------------------|------------------------|----------------|-------------------|
| | | | Pre-arcing | Clearing at 500 V a.c. | | |
| 14 x 51 mm (⁹ / ₁₆ " x 2") | 500 V a.c. (UL) | 1 | 0.04 | 0.2 | 5.7 | FWH-1A14F |
| | | 2 | 0.08 | 0.1 | 8.7 | FWH-2A14F |
| | | 3 | 0.11 | 0.2 | 2.8 | FWH-3A14F |
| | | 4 | 0.1 | 0.2 | 3 | FWH-4A14F |
| | 500 V a.c./V d.c. (UL) | 5 | 2 | 7 | 1.5 | FWH-5A14F |
| | | 6 | 2 | 7 | 1.5 | FWH-6A14F |
| | | 10 | 4 | 15 | 4 | FWH-10A14F |
| | | 12 | 7 | 25 | 4.3 | FWH-12A14F |
| | | 15 | 10 | 40 | 5.5 | FWH-15A14F |
| | | 20 | 26 | 100 | 6.5 | FWH-20A14F |
| | | 25 | 49 | 200 | 7 | FWH-25A14F |
| | | 30 | 58 | 240 | 9 | FWH-30A14F |

Dimensions - mm (in)



10 x 38 mm, FWC

600-700 V a.c./700 V d.c. (UL), 1 to 32A

Specifications

Description

Ferrule style high speed fuse links for the protection of DC common bus, DC drives, power converters/rectifiers and reduced rated voltage starters.

Technical data:

Rated voltage:

- 700 V a.c./dc (UL, 1-4 A)
- 600 V a.c. (UL, 6-32 A), 700 V d.c. (UL, 6-25 A)

Rated current: 1-32 A

Breaking capacity:

- 200 kA RMS Sym. at 600 V a.c. (6-32 A)
- 200 kA RMS Sym. at 700 V a.c. (1-4 A)
- 10 kA DC at 700 V d.c. (1-25 A)

Operating class: aR

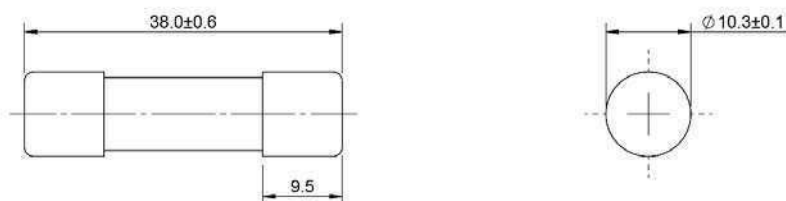
Standards / Agency information

CE, UL Recognised: 6-32 A.



| Fuse link size | Rated voltage | Rated current (Amps) | I ² t (A ² Sec) | | Watts loss (W) | Catalogue numbers | | |
|---------------------------------|-----------------------------------|----------------------|---------------------------------------|------------------------|----------------|-------------------|------------|------------|
| | | | Pre-arcing | Clearing at 600 V a.c. | | | | |
| 10 x 38 mm (13/32" x 1 1/2") | 700 V a.c./V d.c. (UL) | 1 | 0.2 | 1.2 | 0.5 | FWC-1A10F | | |
| | | 2 | 0.5 | 3 | 1.2 | FWC-2A10F | | |
| | | 3 | 1.6 | 11 | 1.5 | FWC-3A10F | | |
| | | 4 | 5.2 | 32 | 1.5 | FWC-4A10F | | |
| | 600 V a.c./ 700 V d.c. (UL) | 6 | 4 | 4 | 30 | 1.5 | FWC-6A10F | |
| | | 8 | 6 | 6 | 50 | 2 | FWC-8A10F | |
| | | 10 | 9 | 9 | 70 | 2.5 | FWC-10A10F | |
| | | 12 | 15 | 15 | 120 | 3 | FWC-12A10F | |
| | | 16 | 25 | 25 | 150 | 3.5 | FWC-16A10F | |
| | | 20 | 34 | 34 | 260 | 4.8 | FWC-20A10F | |
| | | 25 | 60 | 60 | 390 | 6 | FWC-25A10F | |
| | | 600 V a.c. (UL) | 32 | 95 | 95 | 600 | 7.5 | FWC-32A10F |

Dimensions - mm (in)



14 x 51 mm, FWP

690 V a.c. (IEC), 700 V a.c. (UL), 600 - 700 V d.c. (UL), 1 to 50 A

Specifications

Description

Ferrule style high speed fuse links for the protection of DC common bus, DC drives, power converters/rectifiers and reduced rated voltage starters. Available with or without striker.

Technical data

Rated voltage:

- Without striker: see table.
- With striker: 700 V a.c. / 600 V d.c. (UL).

Rated current: 1-50 A.

Breaking capacity:

- 200 kA RMS Sym.
- 50 kA at 800 V d.c. (5-50 A non striker version).
- 600 V d.c. for striker version.

Operating class: aR

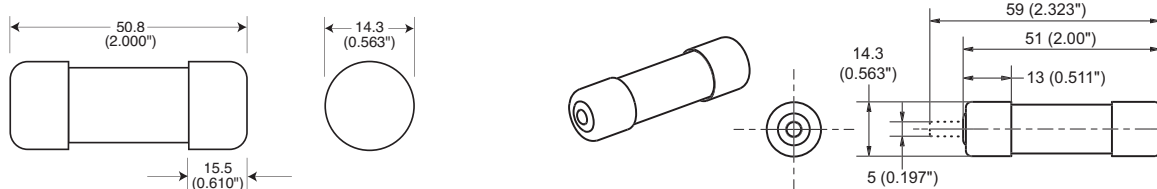


Standards / Agency information

CE, UL recognised & CSA component acceptance for versions without striker only.

| Fuse link type | Fuse link size | Rated voltage | Rated current (Amps) | I ² t (A ² Sec) | | Watts loss (W) | Catalogue numbers | | | |
|-----------------|----------------------------|--|----------------------|---------------------------------------|------------------------------|----------------|-------------------|----|---|-------------|
| | | | | Pre-arcing | Clearing at 700 V a.c. | | | | | |
| Without striker | 14 x 51 mm (9/16" x 2") | 700 V a.c. (UL) | 1 | 0.04 | 0.41 | 5.7 | FWP-1A14F | | | |
| | | | 2 | 0.08 | 0.11 | 8.7 | FWP-2A14F | | | |
| | | | 3 | 0.11 | 0.26 | 2.8 | FWP-3A14F | | | |
| | | | 4 | 0.1 | 0.23 | 3 | FWP-4A14F | | | |
| | | | 5 | 2 | 11 | 1.5 | FWP-5A14F | | | |
| | | 690 V a.c. (IEC) 700 V a.c./700 V d.c. (UL) | 10 | 4 | 22 | 4 | FWP-10A14F | | | |
| | | | 15 | 10 | 70 | 5.5 | FWP-15A14F | | | |
| | | | 20 | 26 | 180 | 6.5 | FWP-20A14F | | | |
| | | | 25 | 49 | 320 | 7 | FWP-25A14F | | | |
| | | | 30 | 58 | 400 | 9 | FWP-30A14F | | | |
| | | | 32 | 68 | 600 | 8 | FWP-32A14F | | | |
| | | | 40 | 84 | 750 | 8 | FWP-40A14F | | | |
| | | | 50 | 200 | 1800 | 9 | FWP-50A14F | | | |
| | | | With striker | 14 x 51 mm (9/16" x 2") | 700 V a.c. / 600 V d.c. (UL) | 10 | 4 | 32 | 2 | FWP-10A14FI |
| | | | | | | 15 | 7 | 63 | 4 | FWP-15A14FI |
| 20 | 26 | 234 | | | | 4 | FWP-20A14FI | | | |
| 25 | 42 | 378 | | | | 4 | FWP-25A14FI | | | |
| 30 | 52 | 468 | | | | 6 | FWP-30A14FI | | | |
| 32 | 68 | 600 | | | | 8 | FWP-32A14FI | | | |
| 40 | 84 | 750 | | | | 8 | FWP-40A14FI | | | |
| 50 | 200 | 1800 | | | | 9 | FWP-50A14FI | | | |

Dimensions - mm (in)



Without striker

With striker

Data sheets: 720025, 5781724 fuses without striker; 5785566 fuses with striker

22 x 58 mm, FWP

700 V a.c./V d.c. (UL), 20 to 100 A

Specifications

Description

Ferrule style high speed fuse links for the protection of DC common bus, DC drives, power converters/rectifiers and reduced rated voltage starters. Available with or without striker.

Technical data

Rated voltage: 700 V a.c./V d.c. (UL)

Rated current: 20-100 A

Breaking capacity:

- 200 kA RMS Sym.
- 50 kA at 700 V d.c., t/c 5 ms

Operating Class: aR

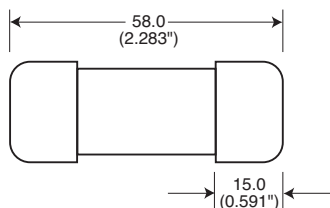
Standards / Agency information

CE, UL Recognised, CSA Component Acceptance for versions without striker only.

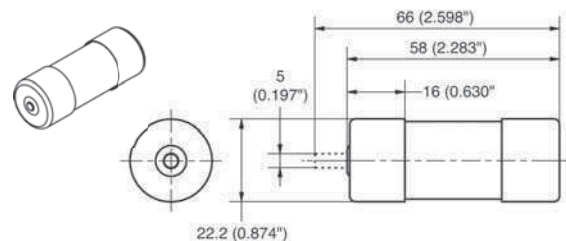


| Fuse link type | Fuse link size | Rated voltage | Rated current (Amps) | I ² t (A ² Sec) | | Watts loss (W) | Catalogue numbers |
|-----------------|--------------------------------|-----------------------------------|----------------------|---------------------------------------|------------------------|----------------|-------------------|
| | | | | Pre-arcing | Clearing at 700 V a.c. | | |
| Without striker | 22 x 58 mm (7/8" x 2 9/32") | 700 V a.c./ 700 V d.c. (UL) | 20 | 23 | 330 | 5 | FWP-20A22F |
| | | | 25 | 37 | 530 | 6 | FWP-25A22F |
| | | | 32 | 55 | 780 | 8 | FWP-32A22F |
| | | | 40 | 68 | 960 | 12 | FWP-40A22F |
| | | | 50 | 155 | 2200 | 12.5 | FWP-50A22F |
| | | | 63 | 280 | 4000 | 15 | FWP-63A22F |
| | | | 80 | 550 | 7800 | 15 | FWP-80A22F |
| | | | 100 | 1100 | 15,600 | 16.5 | FWP-100A22F |
| With striker | 22 x 58 mm (7/8" x 2 9/32") | 700 V a.c./ 700 V d.c. (UL) | 20 | 19 | 260 | 5 | FWP-20A22FI |
| | | | 25 | 34 | 410 | 6 | FWP-25A22FI |
| | | | 32 | 53.5 | 605 | 8 | FWP-32A22FI |
| | | | 40 | 68 | 750 | 9 | FWP-40A22FI |
| | | | 50 | 135 | 1600 | 9.5 | FWP-50A22FI |
| | | | 63 | 280 | 3080 | 11 | FWP-63A22FI |
| | | | 80 | 600 | 6600 | 13.5 | FWP-80A22FI |
| | | | 100 | 1100 | 12,500 | 16 | FWP-100A22FI |

Dimensions - mm (in)



Without striker



With striker

Data sheets: 720026, 5781723

20 x 127 mm and 25 x 146 mm, FWK

750 V d.c. (IEC), 5 to 60 A

Specifications

Description

Ferrule style high speed fuse links for the protection of DC common bus, DC drives, power converters/rectifiers and reduced rated voltage starters.

Technical Data

Rated voltage: 750 V d.c. (IEC)

Rated current:

- 5-30 A (20 x 127 mm)
- 35-60 A (25 x 146 mm)

Breaking capacity: 50 kA at 750 V d.c., L/R 10-15ms

Operating class: gG

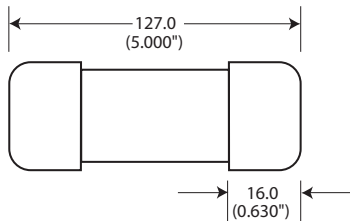
Standards / Agency information:

CE.

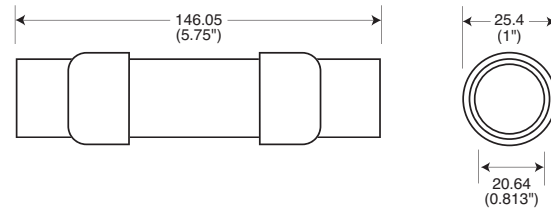


| Fuse link size | Rated voltage | Rated current (Amps) | I ² t (A ² Sec) | | Watts loss (W) | Catalogue numbers |
|------------------------------|---------------------|----------------------|---------------------------------------|------------------------|----------------|-------------------|
| | | | Pre-arcing | Clearing at 750 V a.c. | | |
| 20 x 127 mm (13/16" x 5") | 750 V d.c. (IEC) | 5 | 8.5 | 16 | 6.7 | FWK-5A20F |
| | | 8 | 50 | 100 | 8.8 | FWK-8A20F |
| | | 10 | 95 | 200 | 8.5 | FWK-10A20F |
| | | 15 | 100 | 240 | 5 | FWK-15A20F |
| | | 20 | 125 | 315 | 7.8 | FWK-20A20F |
| | | 25 | 400 | 1100 | 6.5 | FWK-25A20F |
| | | 30 | 800 | 2600 | 6.5 | FWK-30A20F |
| 25 x 146 mm (1" x 5 3/4") | 750 V d.c. (IEC) | 35 | 1300 | 4600 | 6 | FWK-35A25F |
| | | 40 | 1600 | 5300 | 6.8 | FWK-40A25F |
| | | 50 | 3100 | 12,000 | 7.3 | FWK-50A25F |
| | | 60 | 5900 | 24,000 | 7.7 | FWK-60A25F |

Dimensions - mm (in)



20 x 127 mm 5-30 A



25 x 146 mm 35-60 A

14 x 67 mm, FWJ

1000 V a.c./ 800 V d.c. (UL), 20 to 30 A

Specifications

Description

Ferrule style high speed fuse links for the protection of DC common bus, DC drives, power converters/rectifiers and reduced rated voltage starters. Available with or without striker for remote indication.

Technical data

Rated voltage: 1000 V a.c./ 800 V d.c.

Rated current: 20-30 A

Breaking capacity:

- 25kA RMS Sym.
- 50 kA at 800 V d.c.

Operating class: a-R

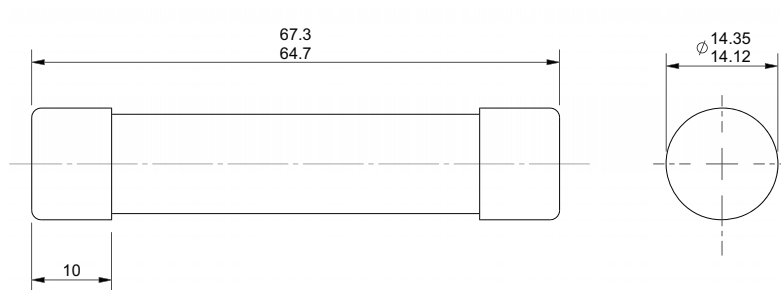
Standards / Agency information

CE, UL Recognised.



| Fuse link size | Rated voltage | Rated current (Amps) | I ² t (A ² Sec) | | Watts loss (W) | Catalogue numbers |
|--|--------------------|----------------------|---------------------------------------|-------------------------|----------------|-------------------|
| | | | Pre-arcing | Clearing at 1000 V a.c. | | |
| 14 x 67 mm (⁹ / ₁₆ " x 2 ⁵ / ₈ ") | 1000 V a.c./ | 20 | 25 | 220 | 9 | FWJ-20A14F |
| | 800 V d.c. (UL) | 25 | 33 | 350 | 11 | FWJ-25A14F |
| | | 30 | 52 | 450 | 14 | FWJ-30A14F |

Dimensions - mm



20 x 127 mm, FWL

1200 V a.c./1000 V d.c. (IEC), 20 to 30 A

Specifications

Description

Ferrule style high speed fuse links for the protection of DC common bus, DC drives, power converters/rectifiers and reduced rated voltage starters. Available with indicator.

Technical data

Rated voltage: 1200 V a.c./1000 V d.c. (IEC)

Rated current: 20-30 A

Breaking capacity:

- 50 kA RMS Sym.
- 50 kA at 1000 V d.c.

Operating Class: gR

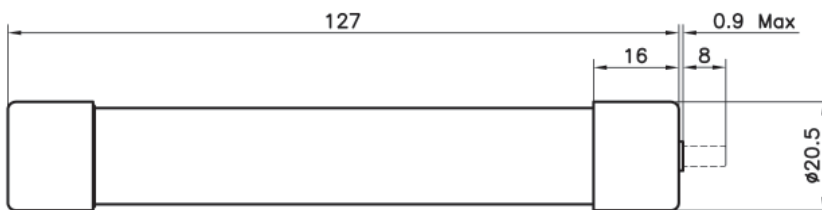
Standards / Agency information:

CE.



| Fuse link size | Rated voltage | Rated current (Amps) | I ² t (A ² Sec) | | Watts loss (W) | Catalogue numbers | |
|------------------------------|--------------------------------------|----------------------|---------------------------------------|-------------------------|----------------|-------------------|----------------|
| | | | Pre-arcing | Clearing at 1000 V a.c. | | Without indicator | With indicator |
| 20 x 127 mm (13/16" x 5") | 1200 V a.c./ 1000 V d.c. (IEC) | 20 | 675 | 1550 | 5.9 | FWL-20A20F | FWL-20A20FI |
| | | 25 | 1200 | 2760 | 6.5 | FWL-25A20F | FWL-25A20FI |
| | | 30 | 1850 | 4300 | 7.5 | FWL-30A20F | FWL-30A20FI |

Dimensions - mm



20 x 127 mm, FWS

1400 - 2000 V a.c./1000 V d.c. (IEC), 2 to 15 A

Specifications

Description

Ferrule style high speed fuse links for the protection of DC common bus, DC drives, power converters/rectifiers and reduced rated voltage starters. Available with indicator.

Technical Data

Rated voltage:

- 2000 V a.c./1000 V d.c. (IEC, 2-8 A)
- 1400 V a.c./1000 V d.c. (IEC, 10-15 A)

Rated current: 2-15 A

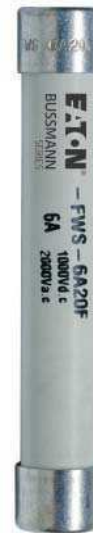
Breaking capacity:

- 50 kA RMS Sym.
- 50 kA at 1000 V d.c. (2-10 A only)

Operating class: gG

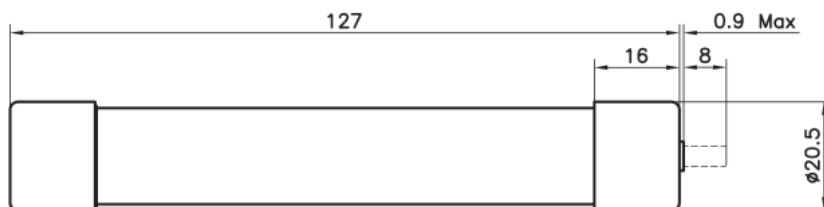
Standards/Agency Information:

CE.



| Fuse link size | Rated voltage | Rated current (Amps) | I _t (A ² Sec) | | Watts loss (W) | Cataloguenumbers | |
|------------------------------|--------------------------------------|----------------------|-------------------------------------|-------------------------|----------------|-------------------|----------------|
| | | | Pre-arcing | Clearing at 1000 V a.c. | | Without indicator | With indicator |
| 20 x 127 mm (13/16" x 5") | 2000 V a.c./ 1000 V d.c. (IEC) | 2 | 0.8 | 2.4 | 4.4 | FWS-2A20F | FWS-2A20FI |
| | | 6 | 27 | 81 | 6.7 | FWS-6A20F | FWS-6A20FI |
| | | 8 | 64 | 192 | 7.6 | FWS-8A20F | FWS-8A20FI |
| | 1400 V a.c./ 1000 V d.c. (IEC) | 10 | 118 | 277 | 3 | FWS-10A20F | FWS-10A20FI |
| | | 12 | 170 | 380 | 3.4 | FWS-12A20F | FWS-12A20FI |
| | | 15 | 209 | 500 | 5 | FWS-15A20F | FWS-15A20FI |

Dimensions - mm



Square body fuse links

Size 000 and 00, DIN 43653, 170M

690 V a.c. (IEC), 700 V a.c./V d.c. (UL), 10 to 400 A

Specifications

Description

Square body DIN 43653 bolted tags high speed fuse links, for the protection of DC common bus, DC drives, power converters/rectifiers and reduced rated voltage starters.

Technical data

Rated voltage:

- 690 V a.c. (IEC, size 000 and 00)
- 700 V a.c. (UL, size 000; size 00 100-400 A only)
- 700 V d.c. (UL, size 000)

Rated current: 10-400 A

Breaking capacity:

- 200 kA RMS Sym.
- 50 kA at 700 V d.c. (size 000 only)

Operating class

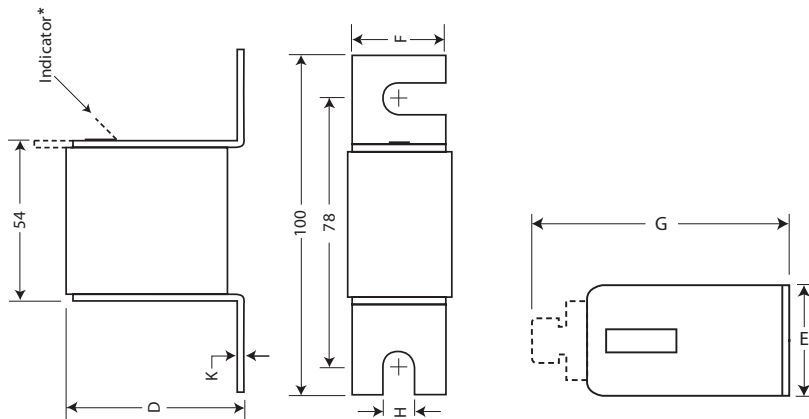
- gR - size 000 (10-63 A), size 00 (25-80 A)
- aR - size 000 (>63 A), size 00 (>80 A)

Standards/Agency Information

CE, Designed and tested to IEC 60269 part 4. UL Recognised/CSA Component Acceptance on Size 000. CCC approved.



Dimensions - mm



* Indication for Size 00 fuses is a red pin.

The dotted line illustrates the Type T indicator fuse link.

| Type -U/80, -/80, -TN/80 | | | | | | |
|--------------------------|----|----|----|----|----|---|
| Size | D | E | F | G | H | K |
| 000 | 40 | 21 | 20 | 51 | 8 | 2 |
| 00 | 51 | 30 | 28 | 67 | 10 | 2 |

Data sheets: 170K6310 (Size 000), 170K6312 (Size 00)

Size 000 and 00, DIN 43653, 170M
 690 V a.c. (IEC), 700 V a.c./V d.c. (UL), 10 to 400 A

| Fuse link body size | Rated voltage | Rated current (Amps) | I ² t (A ² Sec) | | Watts loss (W) | Catalogue numbers | | |
|---------------------|--|----------------------|---------------------------------------|------------------------|----------------|-------------------------|-----------------------|-----------------------------------|
| | | | Pre-Arcing | Clearing at 660 V a.c. | | -U/80 Without indicator | -/80 Visual indicator | -TN/80 Type T indicator for micro |
| 000 | 690 V a.c. (IEC) 700 V a.c./V d.c. (UL) | 10 | 3.8 | 25.5 | 3 | 170M1308 | 170M1358 | 170M1408 |
| | | 16 | 7.2 | 48 | 5.5 | 170M1309 | 170M1359 | 170M1409 |
| | | 20 | 11.5 | 78 | 7 | 170M1310 | 170M1360 | 170M1410 |
| | | 25 | 19 | 130 | 9 | 170M1311 | 170M1361 | 170M1411 |
| | | 32 | 40 | 270 | 10 | 170M1312 | 170M1362 | 170M1412 |
| | | 40 | 69 | 460 | 12 | 170M1313 | 170M1363 | 170M1413 |
| | | 50 | 115 | 770 | 15 | 170M1314 | 170M1364 | 170M1414 |
| | | 63 | 215 | 1450 | 16 | 170M1315 | 170M1365 | 170M1415 |
| | | 80 | 380 | 2550 | 19 | 170M1316 | 170M1366 | 170M1416 |
| | | 100 | 695 | 4650 | 24 | 170M1317 | 170M1367 | 170M1417 |
| | | 125 | 1250 | 8500 | 28 | 170M1318 | 170M1368 | 170M1418 |
| | | 160 | 2350 | 16,000 | 32 | 170M1319 | 170M1369 | 170M1419 |
| | | 200 | 4200 | 28,000 | 37 | 170M1320 | 170M1370 | 170M1420 |
| | | 250 | 7750 | 51,500 | 42 | 170M1321 | 170M1371 | 170M1421 |
| | | 315 | 12,000 | 80,500 | 53 | 170M1322 | 170M1372 | 170M1422 |
| 00 | 690 V a.c. (IEC) | 25 | 19 | 130 | 6 | | 170M2608 | 170M2658 |
| | | 32 | 28.5 | 195 | 7 | | 170M2609 | 170M2659 |
| | | 40 | 50 | 360 | 9 | | 170M2610 | 170M2660 |
| | | 50 | 95 | 640 | 10 | | 170M2611 | 170M2661 |
| | | 63 | 170 | 1200 | 12 | | 170M2612 | 170M2662 |
| | | 80 | 310 | 2100 | 15 | | 170M2613 | 170M2663 |
| 00 | 690 V a.c. (IEC) 700 V a.c. (UL) | 100 | 620 | 4150 | 20 | | 170M2614 | 170M2664 |
| | | 125 | 1000 | 6950 | 25 | | 170M2615 | 170M2665 |
| | | 160 | 1900 | 13,000 | 30 | | 170M2616 | 170M2666 |
| | | 200 | 3400 | 23,000 | 35 | | 170M2617 | 170M2667 |
| | | 250 | 6250 | 42,000 | 45 | | 170M2618 | 170M2668 |
| | | 315 | 10,000 | 68,500 | 55 | | 170M2619 | 170M2669 |
| | | 350 | 13,500 | 91,500 | 60 | | 170M2620 | 170M2670 |
| | | 400 | 18,000 | 125,000 | 70 | | 170M2621 | 170M2671 |

Size 1* to 3, DIN 43653, 170M

690 V a.c. (IEC), 700 V a.c. (UL), 40 to 2000 A

Specifications

Description

Square body DIN 43653 bolted tags high speed fuse links, for the protection of DC common bus, DC drives, power converters/rectifiers and reduced rated voltage starters.

Technical data

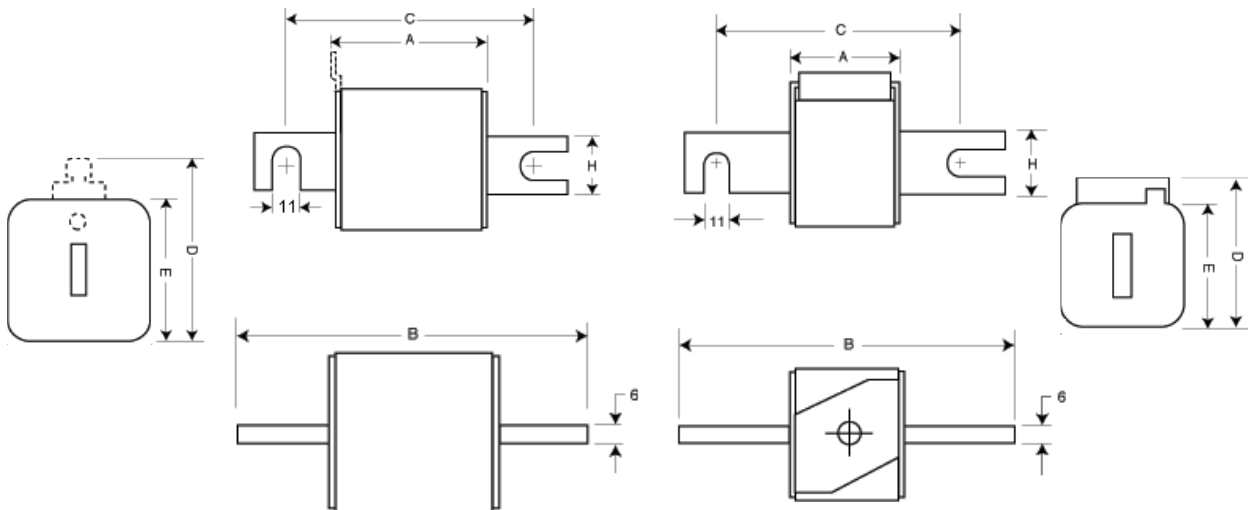
Rated voltage: 690 V a.c. (IEC)/700 V a.c. (UL)
 Rated current: 40-2000 A
 Breaking capacity: 200 kA RMS Sym.
 Operating class: aR

Standards / Agency information

CE, Designed and tested to IEC60269 Part 4. Consult Eaton's Bussmann business for UL Recognition/CSA Component Acceptance status. CCC except where noted.



Dimensions - mm



| Type -/80, -TN/80, -/110, -TN/110 | | | | | | | | |
|-----------------------------------|----|-----|----------------|----|----------------|----------------|----|----|
| Size | A | B | B ¹ | C | C ¹ | D ² | E | H |
| 1* | 50 | 104 | 134 | 78 | 108 | 58 | 45 | 22 |
| 1 | 50 | 108 | 138 | 78 | 108 | 66 | 53 | 25 |
| 2 | 50 | 108 | 138 | 78 | 108 | 75 | 61 | 25 |
| 3 | 51 | 109 | 139 | 78 | 108 | 90 | 76 | 30 |

| Type -KN/80, -KN/110 | | | | | | | | |
|----------------------|----|-----|----------------|----|----------------|----|----|----|
| Size | A | B | B ³ | C | C ³ | D | E | H |
| 1* | 50 | 104 | 134 | 78 | 108 | 59 | 45 | 22 |
| 1 | 50 | 108 | 138 | 78 | 108 | 69 | 53 | 25 |
| 2 | 50 | 108 | 138 | 78 | 108 | 77 | 61 | 25 |
| 3 | 51 | 109 | 139 | 78 | 108 | 92 | 76 | 30 |

¹ Valid for fuse links type -/110, -TN/110.
² Valid for Fuse type -TN/80 and -TN/110.

³ Valid for fuse links type -KN/110.
 1mm = 0.0394"

1mm = 0.0394"

Data sheets: 170K6314 (Size 1*), 170K6316 (Size 1), 170K6318 (Size 2), 170K6320 (Size 3)

Size 1* to 3, DIN 43653, 170M

690 V a.c. (IEC), 700 V a.c. (UL), 40 to 2000 A

| Fuse link body size | Rated voltage | Rated current (Amps) | I ² t (A ² Sec) | | | Catalogue numbers | | | | | |
|---------------------|-------------------------------------|------------------------|---------------------------------------|------------------------|-----------------------|-----------------------|-----------------------------------|-----------------------------------|------------------------|------------------------------------|------------------------------------|
| | | | Pre-arcing | Clearing at 660 V a.c. | Watts loss (W) | -/80 Visual indicator | -TN/80 Type T indicator for micro | -KN/80 Type K indicator for micro | -/110 Visual indicator | -TN/110 Type T indicator for micro | -KN/110 Type K indicator for micro |
| 1* | 690 V a.c. (IEC) 700 V a.c. (UL) | 40 | 40 | 270 | 9 | 170M3008 | 170M3058 | 170M3108 | 170M3158 | 170M3208 | 170M3258 |
| | | 50 | 77 | 515 | 11 | 170M3009 | 170M3059 | 170M3109 | 170M3159 | 170M3209 | 170M3259 |
| | | 63 | 115 | 770 | 14 | 170M3010 | 170M3060 | 170M3110 | 170M3160 | 170M3210 | 170M3260 |
| | | 80 | 185 | 1250 | 18 | 170M3011 | 170M3061 | 170M3111 | 170M3161 | 170M3211 | 170M3261 |
| | | 100 | 360 | 2450 | 21 | 170M3012 | 170M3062 | 170M3112 | 170M3162 | 170M3212 | 170M3262 |
| | | 125 | 550 | 3700 | 26 | 170M3013 | 170M3063 | 170M3113 | 170M3163 | 170M3213 | 170M3263 |
| | | 160 | 1100 | 7500 | 30 | 170M3014 | 170M3064 | 170M3114 | 170M3164 | 170M3214 | 170M3264 |
| | | 200 | 2200 | 15,000 | 35 | 170M3015 | 170M3065 | 170M3115 | 170M3165 | 170M3215 | 170M3265 |
| | | 250 | 4200 | 28,500 | 40 | 170M3016 | 170M3066 | 170M3116 | 170M3166 | 170M3216 | 170M3266 |
| | | 315 | 7000 | 46,500 | 50 | 170M3017 | 170M3067 | 170M3117 | 170M3167 | 170M3217 | 170M3267 |
| | | 350 | 10,000 | 68,500 | 55 | 170M3018 | 170M3068 | 170M3118 | 170M3168 | 170M3218 | 170M3268 |
| | | 400 | 15,000 | 105,000 | 60 | 170M3019 | 170M3069 | 170M3119 | 170M3169 | 170M3219 | 170M3269 |
| | | 450 | 21,000 | 140,000 | 65 | 170M3020 | 170M3070 | 170M3120 | 170M3170 | 170M3220 | 170M3270 |
| | | 500 | 27,000 | 180,000 | 70 | 170M3021 | 170M3071 | 170M3121 | 170M3171 | 170M3221 | 170M3271 |
| | | 550 | 34,000 | 230,000 | 75 | 170M3022 | 170M3072 | 170M3122 | 170M3172 | 170M3222 | 170M3272 |
| 630 | 48,500 | 325,000 | 80 | 170M3023 | 170M3073 | 170M3123 | 170M3173 | 170M3223 | 170M3273 | | |
| 1 | 690 V a.c. (IEC) 700 V a.c. (UL) | 200 | 1650 | 11,500 | 45 | 170M4008 | 170M4058 | 170M4108 | 170M4158 | 170M4208 | 170M4258 |
| | | 250 | 3100 | 21,000 | 55 | 170M4009 | 170M4059 | 170M4109 | 170M4159 | 170M4209 | 170M4259 |
| | | 315 | 6200 | 42,000 | 58 | 170M4010 | 170M4060 | 170M4110 | 170M4160 | 170M4210 | 170M4260 |
| | | 350 | 8500 | 59,000 | 60 | 170M4011 | 170M4061 | 170M4111 | 170M4161 | 170M4211 | 170M4261 |
| | | 400 | 13,500 | 91,500 | 65 | 170M4012 | 170M4062 | 170M4112 | 170M4162 | 170M4212 | 170M4262 |
| | | 450 | 17,000 | 120,000 | 70 | 170M4013 | 170M4063 | 170M4113 | 170M4163 | 170M4213 | 170M4263 |
| | | 500 | 25,000 | 170,000 | 72 | 170M4014 | 170M4064 | 170M4114 | 170M4164 | 170M4214 | 170M4264 |
| | | 550 | 34,000 | 230,000 | 75 | 170M4015 | 170M4065 | 170M4115 | 170M4165 | 170M4215 | 170M4265 |
| | | 630 | 52,000 | 350,000 | 80 | 170M4016 | 170M4066 | 170M4116 | 170M4166 | 170M4216 | 170M4266 |
| | | 700 | 69,500 | 465,000 | 85 | 170M4017 | 170M4067 | 170M4117 | 170M4167 | 170M4217 | 170M4267 |
| | | 800 | 105,000 | 725,000 | 95 | 170M4018 | 170M4068 | 170M4118 | 170M4168 | 170M4218 | 170M4268 |
| 900 ² | 155,000 | 850,000 ² | 100 | 170M4019 ¹ | 170M4069 ¹ | 170M4119 ¹ | 170M4169 ¹ | 170M4219 ¹ | 170M4269 ¹ | | |
| 2 | 690 V a.c. (IEC) 700 V a.c. (UL) | 400 | 11,000 | 74,000 | 65 | 170M5008 | 170M5058 | 170M5108 | 170M5158 | 170M5208 | 170M5258 |
| | | 450 | 15,500 | 105,000 | 70 | 170M5009 | 170M5059 | 170M5109 | 170M5159 | 170M5209 | 170M5259 |
| | | 500 | 21,500 | 145,000 | 75 | 170M5010 | 170M5060 | 170M5110 | 170M5160 | 170M5210 | 170M5260 |
| | | 550 | 28,000 | 190,000 | 80 | 170M5011 | 170M5061 | 170M5111 | 170M5161 | 170M5211 | 170M5261 |
| | | 630 | 41,000 | 275,000 | 90 | 170M5012 | 170M5062 | 170M5112 | 170M5162 | 170M5212 | 170M5262 |
| | | 700 | 60,500 | 405,000 | 95 | 170M5013 | 170M5063 | 170M5113 | 170M5163 | 170M5213 | 170M5263 |
| | | 800 | 86,000 | 575,000 | 105 | 170M5014 | 170M5064 | 170M5114 | 170M5164 | 170M5214 | 170M5264 |
| | | 900 | 125,000 | 840,000 | 110 | 170M5015 | 170M5065 | 170M5115 | 170M5165 | 170M5215 | 170M5265 |
| | | 1000 | 180,000 | 1,250,000 | 115 | 170M5016 | 170M5066 | 170M5116 | 170M5166 | 170M5216 | 170M5266 |
| | | 1100 ³ | 245,000 | 1,600,000 | 120 | 170M5017 | 170M5067 | 170M5117 | 170M5167 | 170M5217 | 170M5267 |
| | | 1250 ³ | 365,000 | 2,400,000 | 130 | 170M5018 | 170M5068 | 170M5118 | 170M5168 | 170M5218 | 170M5268 |
| | | 3 | 690 V a.c. (IEC) 700 V a.c. (UL) | 500 | 14,000 | 95,000 | 95 | 170M6008 | 170M6058 | 170M6108 | 170M6158 |
| 550 | 19,500 | | | 135,000 | 100 | 170M6009 | 170M6059 | 170M6109 | 170M6159 | 170M6209 | 170M6259 |
| 630 | 31,000 | | | 210,000 | 105 | 170M6010 | 170M6060 | 170M6110 | 170M6160 | 170M6210 | 170M6260 |
| 700 | 44,500 | | | 300,000 | 110 | 170M6011 | 170M6061 | 170M6111 | 170M6161 | 170M6211 | 170M6261 |
| 800 | 69,500 | | | 465,000 | 115 | 170M6012 | 170M6062 | 170M6112 | 170M6162 | 170M6212 | 170M6262 |
| 900 | 100,000 | | | 670,000 | 120 | 170M6013 | 170M6063 | 170M6113 | 170M6163 | 170M6213 | 170M6263 |
| 1000 | 140,000 | | | 945,000 | 125 | 170M6014 | 170M6064 | 170M6114 | 170M6164 | 170M6214 | 170M6264 |
| 1100 | 190,000 | | | 1,300,000 | 130 | 170M6015 | 170M6065 | 170M6115 | 170M6165 | 170M6215 | 170M6265 |
| 1250 | 290,000 | | | 1,950,000 | 140 | 170M6016 | 170M6066 | 170M6116 | 170M6166 | 170M6216 | 170M6266 |
| 1400 | 370,000 | | | 2,450,000 | 155 | 170M6017 | 170M6067 | 170M6117 | 170M6167 | 170M6217 | 170M6267 |
| 1500 | 460,000 | | | 3,100,000 | 160 | 170M6018 | 170M6068 | 170M6118 | 170M6168 | 170M6218 | 170M6268 |
| 1600 | 580,000 | | | 3,900,000 | 160 | 170M6019 | 170M6069 | 170M6119 | 170M6169 | 170M6219 | 170M6269 |
| 1800 ⁴ | 880,000 | | | 5,250,000 ⁴ | 165 | 170M6020 | 170M6070 | 170M6120 | 170M6170 | 170M6220 | 170M6270 |
| 2000 ⁵ | 1,150,000 | 6,350,000 ⁵ | 175 | 170M6021 | 170M6071 | 170M6121 | 170M6171 | 170M6221 | 170M6271 | | |

¹ Not UL Approved ² Rated voltage: 550 V a.c. IEC ³ Rated voltage: 600 V a.c. IEC, 700 V a.c. UL ⁴ Rated voltage: 600 V a.c. IEC, 500 V a.c. UL ⁵ Rated voltage: 550 V a.c. IEC, 500 V a.c. UL

Data sheets: 170K6314 (Size 1*), 170K6316 (Size 1), 170K6318 (Size 2), 170K6320 (Size 3)

Size 00, DIN 43653, 170M

1000 V a.c. (IEC and UL), 20 to 315A

Specifications

Description

Square body DIN 43653 bolted tags high speed fuse links, for the protection of DC common bus, DC drives, power converters/rectifiers and reduced rated voltage starters.

Technical data

Rated voltage:

- 1000 V a.c. (IEC and UL 20-250 A)
- 900 V a.c. (IEC, 315 A)

Rated current: 20-315 A

Breaking capacity: 125 kA RMS Sym.

Operating class: aR

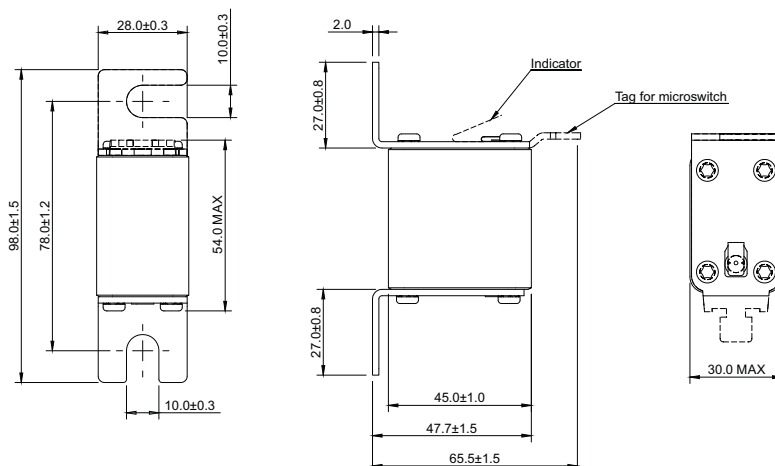
Standards / Agency information

CE, Designed and tested to IEC60269 Part 4, UL Recognised/CSA component acceptance status (20-250 A).



| Fuse link body size | Rated voltage | Rated current (Amps) | I ² t (A ² Sec) | | | Catalogue numbers | | |
|---------------------|----------------------|----------------------|---------------------------------------|---------------------------|----------------|------------------------|------------------------------------|----------|
| | | | Pre-arcing | Clearing at rated voltage | Watts loss (W) | 00/80 Visual indicator | 00TN/80 Type T indicator for micro | |
| 00 | 1000 V a.c. (IEC/UL) | 20 | 20 | 140 | 5 | 170M4802 | 170M4822 | |
| | | 25 | 30 | 210 | 7 | 170M4803 | 170M4823 | |
| | | 32 | 55 | 390 | 9 | 170M4804 | 170M4824 | |
| | | 35 | 69 | 500 | 10 | 170M4805 | 170M4825 | |
| | | 40 | 100 | 690 | 11 | 170M4806 | 170M4826 | |
| | | 50 | 170 | 1200 | 13 | 170M4807 | 170M4827 | |
| | | 63 | 280 | 2000 | 18 | 170M4808 | 170M4828 | |
| | | 80 | 500 | 3500 | 22 | 170M4809 | 170M4829 | |
| | | 100 | 950 | 6850 | 25 | 170M4810 | 170M4830 | |
| | | 125 | 1500 | 11,500 | 33 | 170M4811 | 170M4831 | |
| | | 160 | 3000 | 22,000 | 37 | 170M4812 | 170M4832 | |
| | | 200 | 5600 | 40,500 | 40 | 170M4813 | 170M4833 | |
| | | 250 | 10,000 | 74,000 | 48 | 170M4814 | 170M4834 | |
| | | 900 V a.c. (IEC) | 315 | 18,000 | 115,000 | 58 | 170M4815 | 170M4835 |

Dimensions - mm



Data sheet: 170K8504

Size 1* to 3, DIN 43653, 170M

1000 V a.c. (IEC and UL), 50 to 1400 A

Specifications

Description

Square body DIN 43653 bolted tags high speed fuse links, for the protection of DC common bus, DC drives, power converters / rectifiers and reduced rated voltage starters.

Technical data

Rated voltage:

- 1000 V a.c. (IEC, 50-1250 A), 900 V a.c. (IEC, 1400 A)
- 1000 V a.c. (UL size 2, size 3, 315-1100 A only)

Rated current: 50-1400 A

Breaking Capacity: 125kA RMS Sym.

Operating Class: aR

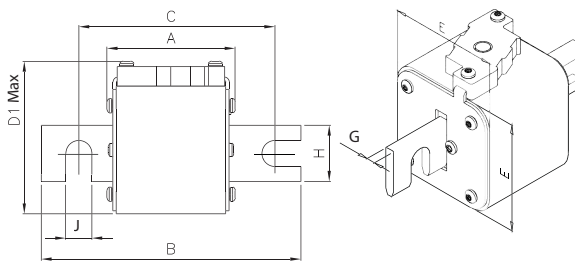
Standards/Agency Information

CE, Designed and tested to IEC60269 Part 4, UL Recognised (only sizes 2 & 3)

CCC only size 3 (315-1100 A)

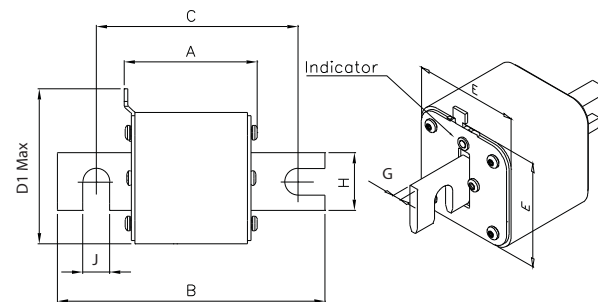


Dimensions - mm



Type -KN/110

| Size | A | B | C | D1 (max) | E | G | H | J |
|----------|----|-----|-----|----------|----|---|----|----|
| 1*KN/110 | 80 | 138 | 108 | 61 | 43 | 6 | 22 | 11 |
| 1KN/110 | 80 | 138 | 108 | 69 | 51 | 6 | 25 | 11 |
| 2KN/110 | 80 | 138 | 108 | 77 | 59 | 6 | 25 | 11 |
| 3KN/110 | 81 | 139 | 108 | 92 | 74 | 6 | 30 | 11 |



Type -TN/110

| Size | A | B | C | D1 (max) | E | G | H | J |
|----------|----|-----|-----|----------|----|---|----|----|
| 1*TN/110 | 80 | 138 | 108 | 61 | 43 | 6 | 22 | 11 |
| 1TN/110 | 80 | 138 | 108 | 69 | 51 | 6 | 25 | 11 |
| 2TN/110 | 80 | 138 | 108 | 75 | 59 | 6 | 25 | 11 |
| 3TN/110 | 81 | 139 | 108 | 90 | 74 | 6 | 30 | 11 |

Data sheets: 170K8564 (Size 1*), 170K8566 (Size 1), 170K8568 (Size 2), 170K8570 (Size 3)

Size 1* to 3, DIN 43653, 170M

1000 V a.c. (IEC and UL), 50 to 1400 A

| Fuse link body size | Rated voltage | Rated current (Amps) | I ² t (A ² Sec) | | Watts loss (W) | Catalogue numbers | |
|---------------------|--------------------------|----------------------|---------------------------------------|---------------------------|----------------|------------------------------------|------------------------------------|
| | | | Pre-arcing | Clearing at rated voltage | | -KN/110 Type K indicator for micro | -TN/110 Type T indicator for micro |
| 1* | 1000 V a.c. (IEC) | 50 | 135 | 815 | 20 | 170M3965 | 170M3981 |
| | | 63 | 215 | 1300 | 25 | 170M3966 | 170M3982 |
| | | 80 | 460 | 2750 | 30 | 170M3967 | 170M3983 |
| | | 100 | 860 | 5100 | 35 | 170M3968 | 170M3984 |
| | | 125 | 1450 | 8600 | 40 | 170M3969 | 170M3985 |
| | | 160 | 2850 | 17,500 | 45 | 170M3970 | 170M3986 |
| | | 200 | 4950 | 29,500 | 50 | 170M3971 | 170M3987 |
| | | 250 | 9550 | 57,000 | 55 | 170M3972 | 170M3988 |
| | | 315 | 21,500 | 130,000 | 65 | 170M3973 | 170M3989 |
| | | 350 | 29,000 | 175,000 | 70 | 170M3974 | 170M3990 |
| 1 | 1000 V a.c. (IEC) | 400 | 42,000 | 250,000 | 75 | 170M3975 | 170M3991 |
| | | 160 | 2200 | 13,500 | 40 | 170M4965 | 170M4980 |
| | | 200 | 4150 | 24,500 | 45 | 170M4966 | 170M4981 |
| | | 250 | 7750 | 46,000 | 52 | 170M4967 | 170M4982 |
| | | 315 | 16,500 | 98,500 | 60 | 170M4968 | 170M4983 |
| | | 350 | 21,500 | 130,000 | 65 | 170M4969 | 170M4984 |
| | | 400 | 31,000 | 185,000 | 70 | 170M4970 | 170M4985 |
| | | 450 | 44,500 | 265,000 | 80 | 170M4971 | 170M4986 |
| | | 500 | 63,000 | 375,000 | 85 | 170M4972 | 170M4987 |
| | | 550 | 84,500 | 500,000 | 90 | 170M4973 | 170M4988 |
| 2 | 1000 V a.c. (IEC and UL) | 630 | 125,000 | 755,000 | 98 | 170M4974 | 170M4989 |
| | | 250 | 6750 | 40,000 | 65 | 170M5966 | 170M5981 |
| | | 315 | 13,500 | 81,500 | 75 | 170M5967 | 170M5982 |
| | | 350 | 16,500 | 99,000 | 80 | 170M5968 | 170M5983 |
| | | 400 | 26,000 | 155,000 | 85 | 170M5969 | 170M5984 |
| | | 450 | 35,500 | 210,000 | 90 | 170M5970 | 170M5985 |
| | | 500 | 49,500 | 295,000 | 95 | 170M5971 | 170M5986 |
| | | 550 | 66,000 | 390,000 | 100 | 170M5972 | 170M5987 |
| | | 630 | 93,500 | 555,000 | 110 | 170M5973 | 170M5988 |
| | | 700 | 130,000 | 770,000 | 115 | 170M5974 | 170M5989 |
| 3 | 1000 V a.c. (IEC and UL) | 800 | 195,000 | 1,200,000 | 125 | 170M5975 | 170M5990 |
| | | 315 | 9200 | 54,500 | 90 | 170M8614 | 170M8629 |
| | | 350 | 13,000 | 77,500 | 95 | 170M8615 | 170M8630 |
| | | 400 | 19,000 | 115,000 | 105 | 170M8616 | 170M8631 |
| | | 450 | 27,000 | 160,000 | 107 | 170M8617 | 170M8632 |
| | | 500 | 37,500 | 225,000 | 110 | 170M8618 | 170M8633 |
| | | 550 | 52,000 | 310,000 | 115 | 170M8619 | 170M8634 |
| | | 630 | 82,500 | 490,000 | 120 | 170M8620 | 170M8635 |
| | | 700 | 115,000 | 700,000 | 125 | 170M8621 | 170M8636 |
| | | 800 | 170,000 | 1,050,000 | 135 | 170M8622 | 170M8637 |
| 3 | 1000 V a.c. (IEC and UL) | 900 | 250,000 | 1,500,000 | 145 | 170M8623 | 170M8638 |
| | | 1000 | 340,000 | 2,050,000 | 150 | 170M8624 | 170M8639 |
| | | 1100 | 460,000 | 2,750,000 | 155 | 170M8625 | 170M8640 |
| | | 1000 V a.c. (IEC) | 1250 | 575,000 | 3,400,000 | 175 | 170M8626 |
| 3 | 900 V a.c. (IEC) | 1400 | 795,000 | 4,200,000 | 185 | 170M8627 | 170M8642 |

Data sheets: 170K8564 (Size 1*), 170K8566 (Size 1), 170K8568 (Size 2), 170K8570 (Size 3)

Size 1* to 3, DIN 43653, 170M

1250 V a.c. (IEC), 1300 V a.c. (UL), 50 to 1400 A

Specifications

Description

Square body DIN 43653 bolted tags high speed fuse links, for the protection of DC common bus, DC drives, power converters/rectifiers and reduced rated voltage starters.

Technical data

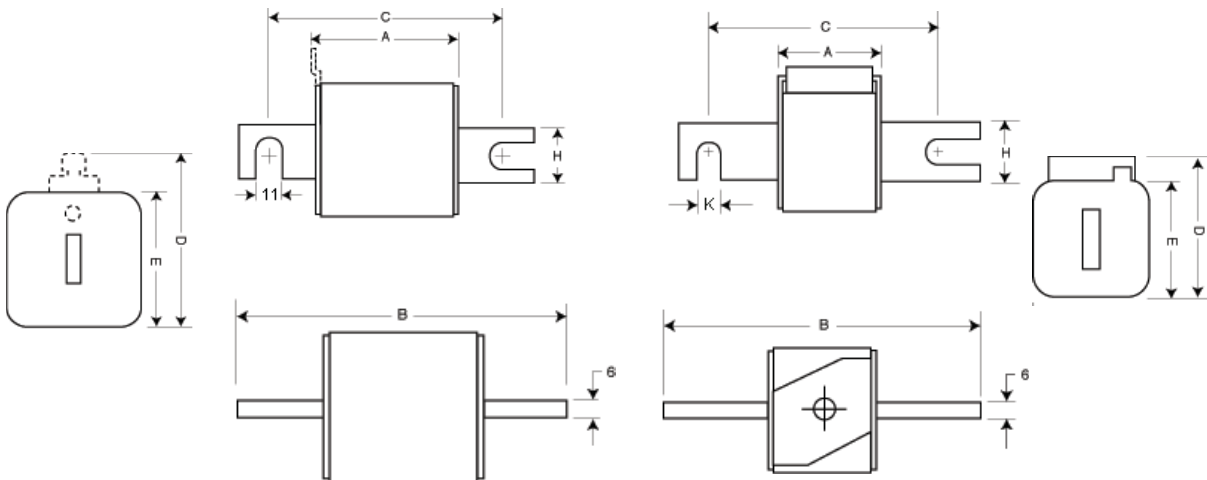
Rated voltage: see table page 42
 Rated current: 50-1400 A
 Breaking capacity: 100 kA RMS Sym.
 Operating class: aR

Standards / Agency information

CE, Designed and tested to IEC60269 Part 4. Consult Eaton's Bussmann business for UL Recognition/CSA Component Acceptance status.



Dimensions - mm



Type-110-TN/110

| Size | A | B | C | D ¹ | E | H | K |
|------|----|-----|-----|----------------|----|----|----|
| 1* | 80 | 138 | 108 | 58 | 45 | 20 | 11 |
| 1 | 80 | 138 | 108 | 66 | 53 | 25 | 11 |
| 2 | 80 | 138 | 108 | 75 | 61 | 25 | 11 |
| 3 | 81 | 139 | 108 | 90 | 76 | 30 | 11 |

¹ Clip on Microswitch valid for fuse links -TN//110.
 1mm = 0.0394"

Type-KN/110

| Size | A | B | C | D | E | H | K |
|------|----|-----|-----|----|----|----|----|
| 1* | 80 | 138 | 108 | 60 | 45 | 20 | 11 |
| 1 | 80 | 138 | 108 | 69 | 53 | 25 | 11 |
| 2 | 80 | 138 | 108 | 77 | 61 | 25 | 11 |
| 3 | 81 | 139 | 108 | 92 | 76 | 30 | 11 |

1mm = 0.0394"

Data sheets: 170K6630 (Size 1*), 170K6632 (Size 1), 170K6634 (Size 2), 170K6636 (Size 3)

Size 1* to 3, DIN 43653, 170M

1250 V a.c. (IEC), 1300 V a.c. (UL), 50 to 1400 A

| Fuse link body size | Rated voltage | Rated current (Amps) | I ² t (A ² Sec) | | | Watts loss (W) | Catalogue numbers | | | | |
|---------------------|---------------------------------------|------------------------|---------------------------------------|-------------------------|-------------------------|-----------------------|------------------------|------------------------------------|------------------------------------|-----------------------|----------|
| | | | Pre-arcing | Clearing at 1000 V a.c. | Clearing at 1250 V a.c. | | -/110 Visual indicator | -TN/110 Type T indicator for micro | -KN/110 Type K indicator for micro | | |
| 1* | 1250 V a.c. (IEC) 1300 V a.c. (UL) | 50 | 135 | 815 | 1100 | 15 | 170M3138 | 170M3188 | 170M3238 | | |
| | | 63 | 215 | 1300 | 1750 | 20 | 170M3139 | 170M3189 | 170M3239 | | |
| | | 80 | 420 | 2500 | 3350 | 25 | 170M3140 | 170M3190 | 170M3240 | | |
| | | 100 | 750 | 4450 | 5950 | 30 | 170M3141 | 170M3191 | 170M3241 | | |
| | | 125 | 1450 | 9000 | 11,500 | 35 | 170M3142 | 170M3192 | 170M3242 | | |
| | | 160 | 2600 | 16,000 | 21,000 | 40 | 170M3143 | 170M3193 | 170M3243 | | |
| | | 200 | 5150 | 31,000 | 41,000 | 45 | 170M3144 | 170M3194 | 170M3244 | | |
| | | 250 | 9200 | 54,500 | 73,000 | 55 | 170M3145 | 170M3195 | 170M3245 | | |
| | | 315 | 18,500 | 115,000 | 150,000 | 60 | 170M3146 | 170M3196 | 170M3246 | | |
| | | 350 | 27,000 | 165,000 | 220,000 | 65 | 170M3147 | 170M3197 | 170M3247 | | |
| | | 400 | 53,000 | 265,000 | 335,000 | 70 | 170M3148 | 170M3198 | 170M3248 | | |
| | | 1 | 1250 V a.c. (IEC) 1300 V a.c. (UL) | 160 | 1900 | 11,500 | 15,500 | 45 | 170M4138 | 170M4188 | 170M4238 |
| 200 | 3800 | | | 22,500 | 30,000 | 50 | 170M4139 | 170M4189 | 170M4239 | | |
| 250 | 7750 | | | 46,000 | 61,500 | 60 | 170M4140 | 170M4190 | 170M4240 | | |
| 315 | 15,000 | | | 90,000 | 120,000 | 65 | 170M4141 | 170M4191 | 170M4241 | | |
| 350 | 20,000 | | | 125,000 | 165,000 | 70 | 170M4142 | 170M4192 | 170M4242 | | |
| 400 | 29,500 | | | 175,000 | 235,000 | 75 | 170M4143 | 170M4193 | 170M4243 | | |
| 450 | 42,000 | | | 250,000 | 335,000 | 80 | 170M4144 | 170M4194 | 170M4244 | | |
| 500 | 69,500 | | | 340,000 | 435,000 | 85 | 170M4145 | 170M4195 | 170M4245 | | |
| 550 | 95,000 | | | 465,000 | 590,000 | 95 | 170M4146 | 170M4196 | 170M4246 | | |
| 1100 V a.c. (IEC) | 630 | | | 130,000 | 660,000 | N/A | 100 | 170M4147 ¹ | 170M4197 ¹ | 170M4247 ¹ | |
| 2 | 1250 V a.c. (IEC) 1300 V a.c. (UL) | | | 250 | 6500 | 38,500 | 51,500 | 65 | 170M5138 | 170M5188 | 170M5238 |
| | | | | 280 | 9350 | 55,500 | 74,500 | 70 | 170M5139 | 170M5189 | 170M5239 |
| | | 315 | 13,000 | 77,500 | 105,000 | 75 | 170M5140 | 170M5190 | 170M5240 | | |
| | | 350 | 16,500 | 97,500 | 135,000 | 80 | 170M5141 | 170M5191 | 170M5241 | | |
| | | 400 | 23,000 | 140,000 | 180,000 | 85 | 170M5142 | 170M5192 | 170M5242 | | |
| | | 450 | 34,000 | 205,000 | 270,000 | 90 | 170M5143 | 170M5193 | 170M5243 | | |
| | | 500 | 48,000 | 285,000 | 380,000 | 95 | 170M5144 | 170M5194 | 170M5244 | | |
| | | 550 | 62,000 | 370,000 | 495,000 | 100 | 170M5145 | 170M5195 | 170M5245 | | |
| | | 630 | 115,000 | 575,000 | 730,000 | 120 | 170M5146 | 170M5196 | 170M5246 | | |
| | | 700 | 160,000 | 795,000 | 1,050,000 | 125 | 170M5147 | 170M5197 | 170M5247 | | |
| | | 800 | 245,000 | 1,200,000 | 1,550,000 | 130 | 170M5148 | 170M5198 | 170M5248 | | |
| | | 1100 V a.c. (IEC & UL) | 900 | 360,000 | 1,750,000 | N/A | 135 | 170M5149 | 170M5199 | 170M5249 | |
| 1000 | 480,000 | 2,350,000 | N/A | 145 | 170M5150 | 170M5200 | 170M5250 | | | | |
| 3 | 1300 V a.c. (UL) | 315 | 9500 | 58,000 | 77,500 | 85 | 170M6138 | 170M6188 | 170M6238 | | |
| | | 350 | 13,500 | 81,500 | 110,000 | 90 | 170M6139 | 170M6189 | 170M6239 | | |
| | | 400 | 19,500 | 120,000 | 160,000 | 95 | 170M6140 | 170M6190 | 170M6240 | | |
| | | 450 | 31,000 | 185,000 | 245,000 | 100 | 170M6141 | 170M6191 | 170M6241 | | |
| | | 500 | 39,000 | 235,000 | 310,000 | 105 | 170M6142 | 170M6192 | 170M6242 | | |
| | | 550 | 55,000 | 325,000 | 435,000 | 110 | 170M6143 | 170M6193 | 170M6243 | | |
| | | 630 | 83,500 | 495,000 | 665,000 | 115 | 170M6144 | 170M6194 | 170M6244 | | |
| | | 700 | 115,000 | 705,000 | 940,000 | 120 | 170M6145 | 170M6195 | 170M6245 | | |
| | | 800 | 205,000 | 995,000 | 1,300,000 | 125 | 170M6146 | 170M6196 | 170M6246 ¹ | | |
| | | 900 | 305,000 | 1,500,000 | 1,900,000 | 130 | 170M6147 | 170M6197 | 170M6247 ¹ | | |
| | | 1000 | 450,000 | 2,150,000 | 2,750,000 | 135 | 170M6148 | 170M6198 | 170M6248 ¹ | | |
| | | 1100 | 575,000 | 2,800,000 | 3,600,000 | 160 | 170M6149 | 170M6199 | 170M6249 ¹ | | |
| 1100 V a.c. (IEC) | 1250 | 810,000 | 3,950,000 | N/A | 170 | 170M6150 ¹ | 170M6200 ¹ | 170M6250 ¹ | | | |
| 1400 | 1,250,000 | 6,000,000 | N/A | 175 | 170M6151 ¹ | 170M6201 ¹ | 170M6251 ¹ | | | | |

¹ These fuse links are not UL recognised.

Data sheets: 170K6630 (Size 1*), 170K6632 (Size 1), 170K6634 (Size 2), 170K6636 (Size 3)

Size 00 to 3, DIN 43620, Full range (gR), 170M

690 V a.c. (IEC), 10 to 800 A

Specifications

Description

Square body DIN 43653 blade high speed fuse links. Full range protection fuse links provide both overload and short-circuit protection.

Technical data

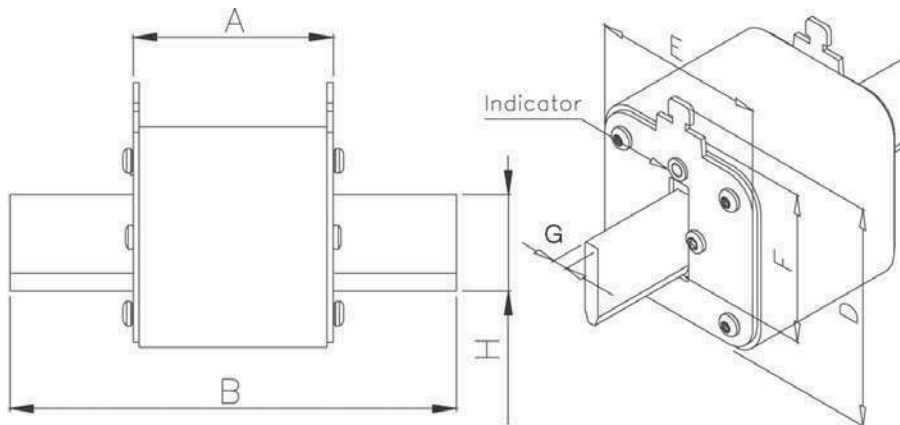
Rated voltage: 690 V a.c. (IEC)
 Rated current: 10-800 A
 Breaking capacity: 200 kA RMS Sym.
 Operating class: gR

Standards / Agency information

CE, Designed and tested to IEC60269 Part 4.



Dimensions - mm



| Size | A | B | D (max) | E (max) | F | G | H (min) |
|------|----|------|---------|---------|----|---|---------|
| 00 | 49 | 78.5 | 60 | 30 | 35 | 6 | 15 |
| 1 | 68 | 135 | 66 | 52 | 40 | 6 | 20 |
| 2 | 68 | 150 | 74 | 60 | 48 | 6 | 25 |
| 3 | 68 | 150 | 89 | 75 | 60 | 6 | 32 |

Data sheets: 170K6412 (Size 00), 170K6416 (Size 1), 170K6418 (Size 2), 170K6420 (Size 3)

Size 00 to 3, DIN 43620, Full range (gR), 170M

690 V a.c. (IEC), 10 to 800 A

| Fuse link body size | Rated voltage | Rated current (Amps) ¹ | I ² t (A ² Sec) | | Watts loss (W) | Catalogue numbers |
|---------------------|------------------|-----------------------------------|---------------------------------------|------------------------|----------------|----------------------------|
| | | | Pre-arcing | Clearing at 690 V a.c. | | Type T indicator for micro |
| 00 | 690 V a.c. (IEC) | 10 | 3.8 | 20 | 3.5 | 170M2691 |
| | | 16 | 7.2 | 38 | 5.5 | 170M2692 |
| | | 20 | 13 | 70 | 6 | 170M2693 |
| | | 25 | 24 | 125 | 8 | 170M2694 |
| | | 32 | 53 | 275 | 9 | 170M2695 |
| | | 40 | 95 | 490 | 10 | 170M2696 |
| | | 50 | 185 | 1000 | 11 | 170M2697 |
| | | 63 | 345 | 1800 | 14 | 170M2698 |
| | | 80 | 695 | 3600 | 16 | 170M2699 |
| | | 100 | 1250 | 6650 | 19 | 170M2700 |
| | | 125 | 2300 | 12,000 | 23 | 170M2701 |
| | | 160 | 4350 | 22,500 | 29 | 170M2702 |
| | | 1 | 690 V a.c. (IEC) | 50 | 135 | 705 |
| 63 | 245 | | | 1300 | 15 | 170M4177 |
| 80 | 500 | | | 2600 | 17 | 170M4178 |
| 100 | 950 | | | 4850 | 20 | 170M4179 |
| 125 | 1850 | | | 9500 | 23 | 170M4180 |
| 160 | 3450 | | | 18,000 | 28 | 170M4181 |
| 200 | 6750 | | | 34,500 | 31 | 170M4182 |
| 250 | 13,500 | | | 70,500 | 35 | 170M4183 |
| 315 | 26,000 | | | 135,000 | 41 | 170M4184 |
| 350 | 34,000 | | | 175,000 | 45 | 170M4185 |
| 2 | 690 V a.c. (IEC) | 400 | 48,500 | 250,000 | 48 | 170M4186 |
| | | 200 | 5650 | 29,000 | 33 | 170M5881 |
| | | 250 | 10,000 | 52,500 | 40 | 170M5882 |
| | | 315 | 19,500 | 105,000 | 46 | 170M5883 |
| | | 350 | 26,000 | 135,000 | 50 | 170M5884 |
| | | 400 | 39,500 | 205,000 | 53 | 170M5885 |
| | | 450 | 55,500 | 290,000 | 59 | 170M5886 |
| | | 500 | 73,000 | 375,000 | 66 | 170M5887 |
| | | 550 | 100,000 | 515,000 | 70 | 170M5888 |
| | | 630 | 150,000 | 770,000 | 79 | 170M5889 |
| 3 | 690 V a.c. (IEC) | 350 | 23,000 | 120,000 | 55 | 170M6080 |
| | | 400 | 34,000 | 175,000 | 59 | 170M6081 |
| | | 450 | 48,500 | 250,000 | 62 | 170M6082 |
| | | 500 | 64,000 | 330,000 | 67 | 170M6083 |
| | | 550 | 84,500 | 435,000 | 70 | 170M6084 |
| | | 630 | 125,000 | 645,000 | 85 | 170M6085 |
| | | 700 | 160,000 | 840,000 | 93 | 170M6086 |
| | | 800 | 245,000 | 1,300,000 | 99 | 170M6087 |

¹ The RMS Amp rating of this fuse links range is given with open fuse bases connected to copper conductors according to IEC 60269, Part 1, table 10. When used in enclosed fuse bases/disconnects, derating factors have to be observed. Please contact Eaton's Bussmann business for application assistance bulehighspeedtechnical@eaton.com.

Size 000 to 3, DIN 43620, Dual indicator fuse links, 170M

690 V a.c. (IEC), 700 V a.c. (UL), 10 to 1600 A

Specifications

Description

Square body DIN 43620 blade high speed fuse links with dual indicator system: one indicator in the fuse body and another one in the metallic end plate. Interchangeable with existing high speed DIN 43620 fuse links for the protection of UPS, soft starters, solid state relays, variable speed drives, rectifiers and inverters.

Technical data

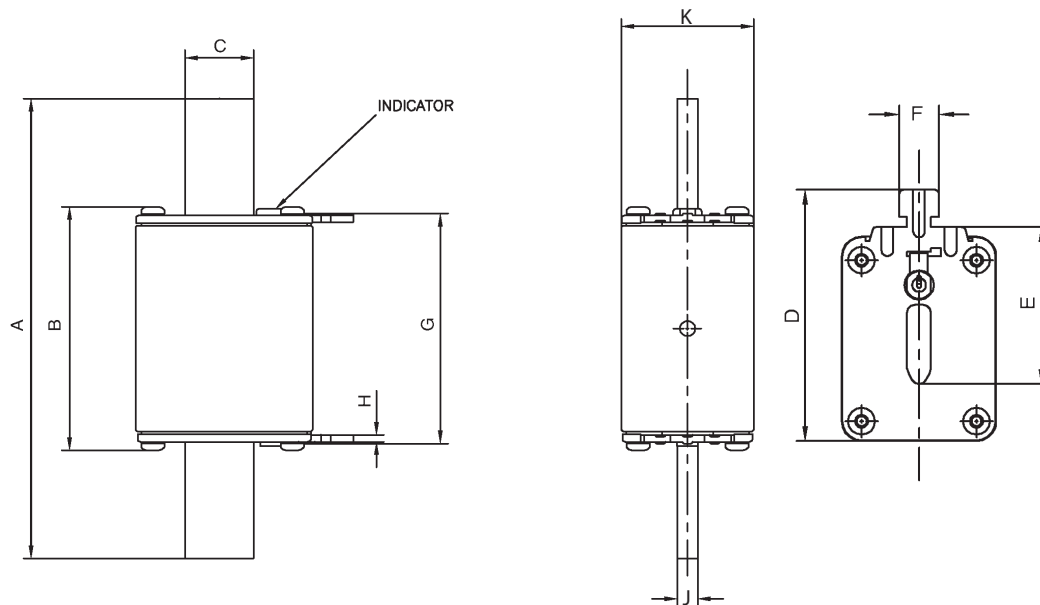
Rated voltage: 690 V a.c. (IEC), 700 V a.c. (UL)
 Rated current: 10-1600 A
 Breaking capacity: 200 kA RMS Sym.
 Operating class: gR (size 000, 10-63A), aR (others)

Standards / Agency information

CE, IEC60269 Part 4, UL and CSA Recognised.



Dimensions - mm



| Size | A | B | C | D | E | F | G | H | J | K |
|------|------|------|------|----|----|----|------|-----|---|------|
| 000 | 78.5 | 53 | 15 | 52 | 35 | 10 | 49.7 | 1.5 | 6 | 20.5 |
| 00 | 78.5 | 53 | 15 | 59 | 35 | 10 | 49.7 | 2 | 6 | 30 |
| 1 | 135 | 71.4 | 20 | 64 | 40 | 10 | 67.5 | 2 | 6 | 40 |
| 2 | 150 | 71.4 | 25.1 | 72 | 48 | 10 | 67.5 | 2 | 6 | 54 |
| 3 | 150 | 72.4 | 32 | 87 | 60 | 10 | 68.5 | 2.5 | 6 | 71 |

Data sheets: 170K6386 (Size 000 and 00), 170K6388 (Size 1), 170K6390 (Size 2), 170K6392 (Size 3)

Size 000 to 3, DIN 43620, Dual indicator fuse links, 170M

690 V a.c. (IEC), 700 V a.c. (UL), 10 to 1600 A

| Fuse link body size | Rated voltage | Rated current (Amps) | Max permissible load current | I ² t (A ² Sec) | | Watts loss (W) ³ | Catalogue numbers |
|---------------------|-------------------------------------|----------------------|------------------------------|---------------------------------------|------------------------|-----------------------------|------------------------|
| | | | | Pre-arcing | Clearing at 690 V a.c. | | Dual indicator |
| 000 | 690 V a.c. (IEC) 700 V a.c. (UL) | 10 | 10 | 4 | 27 | 2.5 | 170M1558D |
| | | 16 | 16 | 7 | 51 | 4 | 170M1559D |
| | | 20 | 20 | 11.5 | 82.5 | 5 | 170M1560D |
| | | 25 | 25 | 19 | 140 | 6 | 170M1561D |
| | | 32 | 32 | 40 | 285 | 7 | 170M1562D |
| | | 40 | 40 | 65 | 490 | 8.5 | 170M1563D |
| | | 50 | 50 | 115 | 815 | 9.5 | 170M1564D |
| | | 63 | 63 | 215 | 1550 | 11.5 | 170M1565D |
| | | 80 | 80 | 380 | 2700 | 15 | 170M1566D |
| | | 100 | 100 | 695 | 4950 | 16.5 | 170M1567D |
| | | 125 | 125 | 1180 | 8250 | 21.5 | 170M1568D |
| | | 160 | 160 | 2300 | 16,500 | 25 | 170M1569D |
| | | 200 | 200 | 4350 | 31,000 | 29.5 | 170M1570D |
| 250 | 250 | 7900 | 56,000 | 35.5 | 170M1571D | | |
| 00 | 690 V a.c. (IEC) / 700 V a.c. (UL) | 315 | 315 | 12,000 | 84,500 | 45 | 170M1572D |
| 1 | 690 V a.c. (IEC) 700 V a.c. (UL) | 40 | 25 | 40 | 285 | 4 | 170M3808D |
| | | 50 | 30 | 78 | 550 | 4.5 | 170M3809D |
| | | 63 | 38 | 120 | 850 | 6.5 | 170M3810D |
| | | 80 | 50 | 185 | 1350 | 8.5 | 170M3811D |
| | | 100 | 60 | 360 | 2600 | 10 | 170M3812D |
| | | 125 | 75 | 550 | 3900 | 11 | 170M3813D |
| | | 160 | 95 | 1150 | 8250 | 12 | 170M3814D |
| | | 200 | 120 | 2300 | 16,500 | 12.5 | 170M3815D |
| | | 250 | 150 | 4350 | 31,000 | 16 | 170M3816D |
| | | 315 | 190 | 7300 | 52,000 | 20 | 170M3817D |
| | | 350 | 210 | 10,000 | 73,000 | 21.5 | 170M3818D |
| | | 400 | 240 | 16,000 | 115,000 | 23 | 170M3819D |
| | | 450 | 270 | 21,500 | 155,000 | 26.5 | 170M4863D |
| | | 500 | 300 | 27,000 | 190,000 | 28.5 | 170M4864D |
| | | 550 | 330 | 33,500 | 240,000 | 33 | 170M4865D |
| | | 630 | 380 | 48,500 | 345,000 | 37.5 | 170M4866D |
| | | 700 | 420 | 69,500 | 495,000 | 39 | 170M4867D ¹ |
| 2 | 690 V a.c. (IEC) 700 V a.c. (UL) | 400 | 240 | 11,000 | 79,000 | 29 | 170M5808D |
| | | 450 | 270 | 16,000 | 115,000 | 32 | 170M5809D |
| | | 500 | 300 | 21,500 | 155,000 | 34 | 170M5810D |
| | | 550 | 330 | 29,000 | 215,000 | 36 | 170M5811D |
| | | 630 | 380 | 41,000 | 295,000 | 42 | 170M5812D |
| | | 700 | 420 | 60,500 | 430,000 | 43 | 170M5813D |
| | | 800 | 480 | 86,000 | 610,000 | 48 | 170M5814D |
| | | 900 | 540 | 125,000 | 895,000 | 52 | 170M5820D |
| 3 | 690 V a.c. (IEC) 700 V a.c. (UL) | 1000 | 600 | 180,000 | 1,300,000 | 53 | 170M5816D |
| | | 1100 | 660 | 245,000 | 1,750,000 | 56 | 170M5817D |
| | | 500 | 300 | 14,000 | 99,500 | 43 | 170M6808D |
| | | 550 | 330 | 19,500 | 140,000 | 44 | 170M6809D |
| | | 630 | 380 | 31,000 | 220,000 | 45 | 170M6810D |
| | | 700 | 420 | 45,000 | 320,000 | 46 | 170M6811D |
| | | 800 | 480 | 69,500 | 490,000 | 48 | 170M6812D |
| | | 900 | 540 | 100,000 | 720,000 | 50 | 170M6813D |
| | | 1000 | 600 | 140,000 | 985,000 | 56 | 170M6814D |
| | | 1100 | 660 | 190,000 | 1,400,000 | 57 | 170M6892D |
| | | 1250 | 750 | 300,000 | 2,150,000 | 61 | 170M8554D |
| 1400 | 840 | 380,000 | 2,700,000 | 70 | 170M8555D | | |
| 1500 | 900 | 470,000 | 3,350,000 | 72 | 170M8556D | | |
| 1600 | 960 | 585,000 | 4,150,000 | 74 | 170M8557D | | |

¹ 170M4867D is not UL recognised.

³ Given at maximum load Rated current, please refer to data sheets for further details.

Data sheets: 170K6386 (Size 000 and 00), 170K6388 (Size 1), 170K6390 (Size 2), 170K6392 (Size 3)

Size 00, DIN 43620, 170M

1000 V a.c. (IEC and UL), 20 to 225 A

Specifications

Description

Square body DIN 43620 blade style high speed fuse links for the protection of DC common bus, DC drives, power converters/rectifiers and reduced rated voltage starters.

Technical data

Rated voltage:

- 1000 V a.c. (IEC and UL)
- 900 V a.c. (200 and 225A)

Rated current: 20-225A

Breaking capacity: 125kA RMS Sym.

Operating class: aR

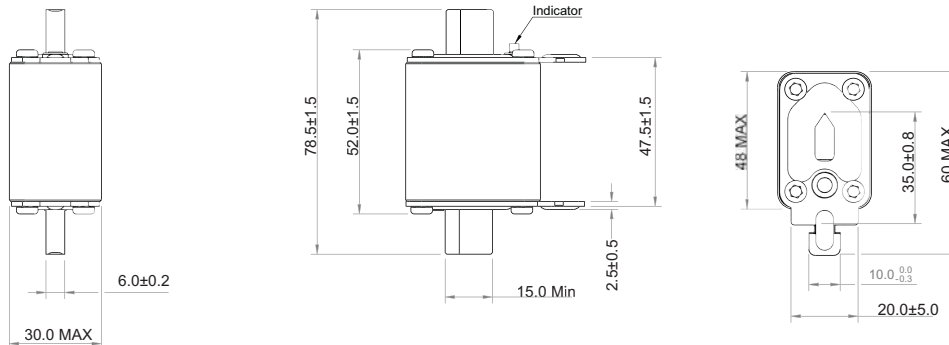
Standards / Agency information

CE, Designed and tested to IEC60269 Part 4, UL Recognised/CSA Component Acceptance status (20-160 A).



| Fuse link body size | Rated voltage | Rated current Amps | I ² t (A ² Sec) | | | Catalogue numbers |
|---------------------|----------------------|--------------------|---------------------------------------|-------------------------|----------------|----------------------------|
| | | | Pre-arcing | Clearing at 1000 V a.c. | Watts loss (W) | Type T indicator for micro |
| 00 | 1000 V a.c. (IEC/UL) | 20 | 15 | 110 | 8.5 | 170M2673 |
| | | 25 | 28.5 | 210 | 9.5 | 170M2674 |
| | | 32 | 53 | 390 | 11 | 170M2675 |
| | | 35 | 69 | 500 | 12 | 170M2676 |
| | | 40 | 105 | 760 | 13 | 170M2677 |
| | | 50 | 215 | 1550 | 14 | 170M2678 |
| | | 63 | 380 | 2750 | 16 | 170M2679 |
| | | 80 | 815 | 5900 | 18 | 170M2680 |
| | | 100 | 1550 | 11,500 | 21 | 170M2681 |
| | | 125 | 3000 | 22,000 | 23 | 170M2682 |
| 00 | 900 V a.c. (IEC) | 200 | 12,000 | 86,500 | 31 | 170M2684 |
| | | 225 | 18,000 | 115,000 | 33 | 170M2685 |

Dimensions - mm



Data sheet: 170K8506

Size 1* to 3, French style, 170M

690 V a.c. (IEC), 700 V a.c. (UL), 40 to 1600 A

Specifications

Description

Square body French style high speed fuse links for the protection of DC common bus, DC drives, power converters/rectifiers and reduced rated voltage starters.

Technical data

Rated voltage: 690 V a.c. (IEC), 700 V a.c. (UL)

Rated current: 40-1600 A

Breaking capacity: 200 kA RMS Sym.

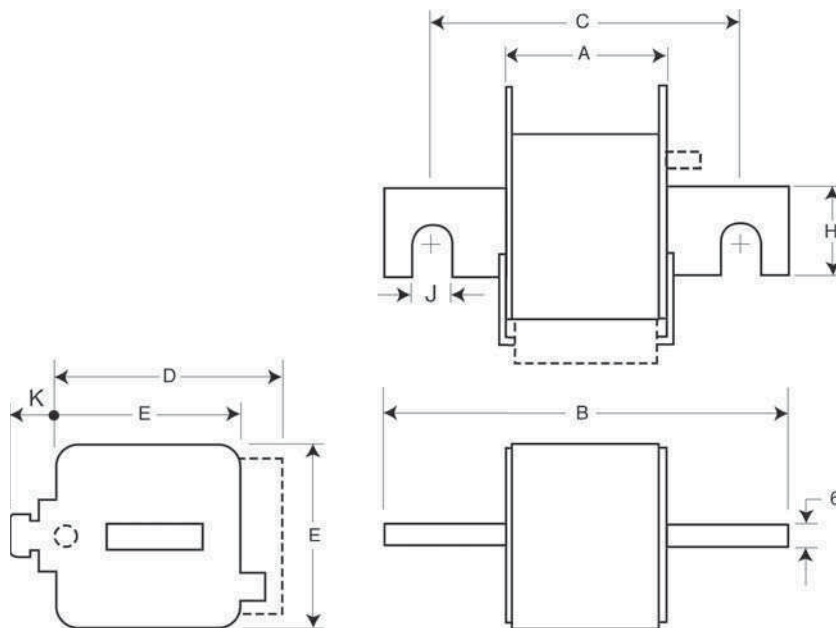
Operating class: aR

Standards / Agency information

CE, Designed and tested to IEC60269 Part 4, UL Recognised. For CCC approval, please consult Eaton's Bussmann business bulehighspeedtechnical@eaton.com.



Dimensions - mm



Type -E/-, -EKN/-

| Size | A | B | C | D | E | H | J | K |
|------|----|-----|----|----|----|----|----|----|
| 1* | 50 | 102 | 76 | 59 | 45 | 18 | 9 | 13 |
| 1 | 50 | 111 | 86 | 69 | 53 | 25 | 11 | 11 |
| 2 | 50 | 126 | 91 | 77 | 61 | 30 | 13 | 12 |
| 3 | 51 | 126 | 91 | 92 | 76 | 36 | 13 | 13 |

Data sheets: 170K6314 (Size 1*), 170K6316 (Size 1), 170K6318 (Size 2), 170K6320 (Size 3)

Size 1* to 3, French style, 170M

690 V a.c. (IEC), 700 V a.c. (UL), 40 to 1600 A

| Fuse link body size | Rated voltage | Rated current (Amps) | I ² t (A ² Sec) | | Watts loss (W) | Catalogue numbers | |
|---------------------|------------------------------------|----------------------|---------------------------------------|------------------------|----------------|---------------------------------|-----------------------------------|
| | | | Pre-arcing | Clearing at 660 V a.c. | | -E/- Type T indicator for micro | -EKN/- Type K indicator for micro |
| 1* | 690 V a.c. (IEC) 700 V a.c.(UL) | 40 | 40 | 270 | 9 | 170M3308 | 170M3358 |
| | | 50 | 77 | 515 | 11 | 170M3309 | 170M3359 |
| | | 63 | 115 | 770 | 14 | 170M3310 | 170M3360 |
| | | 80 | 185 | 1250 | 18 | 170M3311 | 170M3361 |
| | | 100 | 360 | 2450 | 21 | 170M3312 | 170M3362 |
| | | 125 | 550 | 3700 | 26 | 170M3313 | 170M3363 |
| | | 160 | 1100 | 7500 | 30 | 170M3314 | 170M3364 |
| | | 200 | 2200 | 15,000 | 35 | 170M3315 | 170M3365 |
| | | 250 | 4200 | 28,500 | 40 | 170M3316 | 170M3366 |
| | | 315 | 7000 | 46,500 | 50 | 170M3317 | 170M3367 |
| | | 350 | 10,000 | 68,500 | 55 | 170M3318 | 170M3368 |
| | | 400 | 15,000 | 105,000 | 60 | 170M3319 | 170M3369 |
| | | 450 | 21,000 | 140,000 | 65 | 170M3320 | 170M3370 |
| 1 | 690 V a.c. (IEC) 700 V a.c.(UL) | 500 | 27,000 | 180,000 | 70 | 170M3321 | 170M3371 |
| | | 200 | 1650 | 11,500 | 45 | 170M4308 | 170M4358 |
| | | 250 | 3100 | 21,000 | 55 | 170M4309 | 170M4359 |
| | | 315 | 6200 | 42,000 | 58 | 170M4310 | 170M4360 |
| | | 350 | 8500 | 59,000 | 60 | 170M4311 | 170M4361 |
| | | 400 | 13,500 | 91,500 | 65 | 170M4312 | 170M4362 |
| | | 450 | 17,000 | 120,000 | 70 | 170M4313 | 170M4363 |
| | | 500 | 25,000 | 170,000 | 72 | 170M4314 | 170M4364 |
| | | 550 | 34,000 | 230,000 | 75 | 170M4315 | 170M4365 |
| | | 630 | 52,000 | 350,000 | 80 | 170M4316 | 170M4366 |
| 2 | 690 V a.c. (IEC) 700 V a.c.(UL) | 700 | 69,500 | 465,000 | 85 | 170M4317 | 170M4367 |
| | | 800 | 105,000 | 725,000 | 95 | 170M4318 | 170M4368 |
| | | 400 | 11,000 | 74,000 | 65 | 170M5308 | 170M5358 |
| | | 450 | 15,500 | 105,000 | 70 | 170M5309 | 170M5359 |
| | | 500 | 21,500 | 145,000 | 75 | 170M5310 | 170M5360 |
| | | 550 | 28,000 | 190,000 | 80 | 170M5311 | 170M5361 |
| | | 630 | 41,000 | 275,000 | 90 | 170M5312 | 170M5362 |
| | | 700 | 60,500 | 405,000 | 95 | 170M5313 | 170M5363 |
| | | 800 | 86,000 | 575,000 | 105 | 170M5314 | 170M5364 |
| | | 900 | 125,000 | 840,000 | 110 | 170M5315 | 170M5365 |
| 3 | 690 V a.c. (IEC) 700 V a.c.(UL) | 1000 | 180,000 | 1,250,000 | 115 | 170M5316 | 170M5366 |
| | | 500 | 14,000 | 95,000 | 95 | 170M6308 | 170M6358 |
| | | 550 | 19,500 | 135,000 | 100 | 170M6309 | 170M6359 |
| | | 630 | 31,000 | 210,000 | 105 | 170M6310 | 170M6360 |
| | | 700 | 44,500 | 300,000 | 110 | 170M6311 | 170M6361 |
| | | 800 | 69,500 | 465,000 | 115 | 170M6312 | 170M6362 |
| | | 900 | 100,000 | 670,000 | 120 | 170M6313 | 170M6363 |
| | | 1000 | 140,000 | 945,000 | 125 | 170M6314 | 170M6364 |
| | | 1100 | 190,000 | 1,300,000 | 130 | 170M6315 | 170M6365 |
| | | 1250 | 290,000 | 1,950,000 | 140 | 170M6316 | 170M6366 |
| | | 1400 | 370,000 | 2,450,000 | 155 | 170M6317 | 170M6367 |
| | | 1500 | 460,000 | 3,100,000 | 160 | 170M6318 | 170M6368 |
| | | 1600 | 580,000 | 3,900,000 | 160 | 170M6319 | 170M6369 |

Data sheets: 170K6314 (Size 1*), 170K6316 (Size 1), 170K6318 (Size 2), 170K6320 (Size 3)

Size 1* to 3, US style, 170M

690 V a.c. (IEC), 700 V a.c. (UL), 40 to 2000 A

Specifications

Description

Square body US style bolted tags high speed fuse links for the protection of DC common bus, DC drives, power converters/rectifiers and reduced rated voltage starters.

Technical data

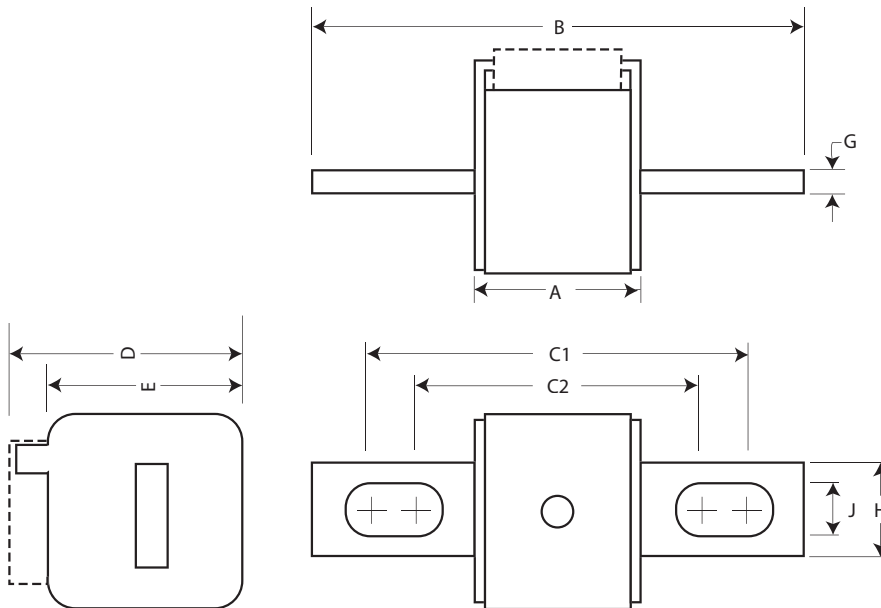
Rated voltage: see table page 51
 Rated current: 40-2000 A
 Breaking capacity: 200 kA RMS Sym.
 Operating class: aR

Standards / Agency information

CE, Designed and tested to IEC60269 Part 4. Consult Eaton's Bussmann business for UL Recognition/CSA Component Acceptance status and CCC approvals.



Dimensions - mm



Type -FU/- , -FKE/- , FU/115- , -FKE/115

| Size | A | B | B1 | C1 | C1' | C2 | C2' | D | E | G | H | J |
|------|----|-----|-----|-----|-----|----|-----|----|----|---|----|----|
| 1* | 50 | 110 | 148 | 85 | 123 | 72 | 110 | 59 | 45 | 6 | 20 | 10 |
| 1 | 50 | 136 | 157 | 104 | 126 | 78 | 100 | 69 | 53 | 6 | 25 | 14 |
| 2 | 50 | 135 | 159 | 105 | 125 | 78 | 99 | 77 | 61 | 6 | 25 | 14 |
| 3 | 51 | 135 | 155 | 106 | 125 | 77 | 97 | 92 | 76 | 6 | 36 | 16 |

¹ Valid for fuse links type -FU/115 & -FKE/115.
 1mm = 0.0394"

Data sheets: 170K6314 (Size 1*), 170K6316 (Size 1), 170K6318 (Size 2), 170K6320 (Size 3)

| Fuse link body size | Rated voltage | Rated current (Amps) | I ² t (A ² Sec) | | Watts loss (W) | Catalogue numbers | | | |
|---------------------|-------------------------------------|----------------------|---------------------------------------|------------------------|----------------|-------------------------|-----------------------------------|---------------------------|-------------------------------------|
| | | | Pre-arcing | Clearing at 660 V a.c. | | -FU/- without indicator | -FKE/- Type K indicator for micro | -FU/115 without indicator | -FKE/115 Type K indicator for micro |
| 1* | 690 V a.c. (IEC) 700 V a.c. (UL) | 40 | 40 | 270 | 9 | 170M3608 | 170M3658 | 170M3708 | 170M3758 |
| | | 50 | 70 | 515 | 11 | 170M3609 | 170M3659 | 170M3709 | 170M3759 |
| | | 63 | 115 | 770 | 14 | 170M3610 | 170M3660 | 170M3710 | 170M3760 |
| | | 80 | 185 | 1250 | 18 | 170M3611 | 170M3661 | 170M3711 | 170M3761 |
| | | 100 | 360 | 2450 | 21 | 170M3612 | 170M3662 | 170M3712 | 170M3762 |
| | | 125 | 550 | 3700 | 26 | 170M3613 | 170M3663 | 170M3713 | 170M3763 |
| | | 160 | 1100 | 7500 | 30 | 170M3614 | 170M3664 | 170M3714 | 170M3764 |
| | | 200 | 2200 | 15,000 | 35 | 170M3615 | 170M3665 | 170M3715 | 170M3765 |
| | | 250 | 4200 | 28,500 | 40 | 170M3616 | 170M3666 | 170M3716 | 170M3766 |
| | | 315 | 7000 | 46,500 | 50 | 170M3617 | 170M3667 | 170M3717 | 170M3767 |
| | | 350 | 10,000 | 68,500 | 55 | 170M3618 | 170M3668 | 170M3718 | 170M3768 |
| | | 400 | 15,000 | 105,000 | 60 | 170M3619 | 170M3669 | 170M3719 | 170M3769 |
| | | 450 | 21,000 | 140,000 | 65 | 170M3620 | 170M3670 | 170M3720 | 170M3770 |
| | | 500 | 27,000 | 180,000 | 70 | 170M3621 | 170M3671 | 170M3721 | 170M3771 |
| | | 550 | 34,000 | 230,000 | 75 | 170M3622 | 170M3672 | 170M3722 | 170M3772 |
| | | 630 | 48,500 | 325,000 | 80 | 170M3623 | 170M3673 | 170M3723 | 170M3773 |
| 1 | 690 V a.c. (IEC) 700 V a.c. (UL) | 200 | 1650 | 11,500 | 45 | 170M4608 | 170M4658 | 170M4708 | 170M4758 |
| | | 250 | 3100 | 21,000 | 55 | 170M4609 | 170M4659 | 170M4709 | 170M4759 |
| | | 315 | 6200 | 42,000 | 58 | 170M4610 | 170M4660 | 170M4710 | 170M4760 |
| | | 350 | 8500 | 59,000 | 60 | 170M4611 | 170M4661 | 170M4711 | 170M4761 |
| | | 400 | 13,500 | 91,500 | 65 | 170M4612 | 170M4662 | 170M4712 | 170M4762 |
| | | 450 | 17,000 | 120,000 | 70 | 170M4613 | 170M4663 | 170M4713 | 170M4763 |
| | | 500 | 25,000 | 170,000 | 72 | 170M4614 | 170M4664 | 170M4714 | 170M4764 |
| | | 550 | 34,000 | 230,000 | 75 | 170M4615 | 170M4665 | 170M4715 | 170M4765 |
| | | 630 | 52,000 | 350,000 | 80 | 170M4616 | 170M4666 | 170M4716 | 170M4766 |
| | | 700 | 69,500 | 465,000 | 85 | 170M4617 | 170M4667 | 170M4717 | 170M4767 |
| 2 | 690 V a.c. (IEC) 700 V a.c. (UL) | 800 | 105,000 | 725,000 | 95 | 170M4618 | 170M4668 | 170M4718 | 170M4768 |
| | | 900 | 155,000 | 850,000 | 100 | 170M4619 | 170M4669 | 170M4719 | 170M4769 |
| | | 400 | 11,000 | 74,000 | 65 | 170M5608 | 170M5658 | 170M5708 | 170M5758 |
| | | 450 | 15,500 | 105,000 | 70 | 170M5609 | 170M5659 | 170M5709 | 170M5759 |
| | | 500 | 21,500 | 145,000 | 75 | 170M5610 | 170M5660 | 170M5710 | 170M5760 |
| | | 550 | 28,000 | 190,000 | 80 | 170M5611 | 170M5661 | 170M5711 | 170M5761 |
| | | 630 | 41,000 | 275,000 | 90 | 170M5612 | 170M5662 | 170M5712 | 170M5762 |
| | | 700 | 60,500 | 405,000 | 95 | 170M5613 | 170M5663 | 170M5713 | 170M5763 |
| | | 800 | 86,000 | 575,000 | 105 | 170M5614 | 170M5664 | 170M5714 | 170M5764 |
| | | 900 | 125,000 | 840,000 | 110 | 170M5615 | 170M5665 | 170M5715 | 170M5765 |
| 3 | 600 V a.c. (IEC) 700 V a.c. (UL) | 1000 | 180,000 | 1,250,000 | 115 | 170M5616 | 170M5666 | 170M5716 | 170M5766 |
| | | 1100 | 245,000 | 1,600,000 | 120 | 170M5617 | 170M5667 | 170M5717 | 170M5767 |
| | | 1250 | 365,000 | 2,400,000 | 130 | 170M5618 | 170M5668 | 170M5718 | 170M5768 |
| | | 500 | 14,000 | 95,000 | 95 | 170M6608 | 170M6658 | 170M6708 | 170M6758 |
| | | 550 | 19,500 | 135,000 | 100 | 170M6609 | 170M6659 | 170M6709 | 170M6759 |
| | | 630 | 31,000 | 210,000 | 105 | 170M6610 | 170M6660 | 170M6710 | 170M6760 |
| | | 700 | 44,500 | 300,000 | 110 | 170M6611 | 170M6661 | 170M6711 | 170M6761 |
| | | 800 | 69,500 | 465,000 | 115 | 170M6612 | 170M6662 | 170M6712 | 170M6762 |
| | | 900 | 100,000 | 670,000 | 120 | 170M6613 | 170M6663 | 170M6713 | 170M6763 |
| | | 1000 | 140,000 | 945,000 | 125 | 170M6614 | 170M6664 | 170M6714 | 170M6764 |
| 3 | 690 V a.c. (IEC) 700 V a.c. (UL) | 1100 | 190,000 | 1,300,000 | 130 | 170M6615 | 170M6665 | 170M6715 | 170M6765 |
| | | 1250 | 290,000 | 1,950,000 | 140 | 170M6616 | 170M6666 | 170M6716 | 170M6766 |
| | | 1400 | 370,000 | 2,450,000 | 155 | 170M6617 | 170M6667 | 170M6717 | 170M6767 |
| | | 1500 | 460,000 | 3,100,000 | 160 | 170M6618 | 170M6668 | 170M6718 | 170M6768 |
| | | 1600 | 580,000 | 3,900,000 | 160 | 170M6619 | 170M6669 | 170M6719 | 170M6769 |
| | | 1800 | 880,000 | 5,250,000 | 165 | 170M6620 | 170M6670 ¹ | 170M6720 | 170M6770 |
| | | 2000 | 1,150,000 | 6,350,000 | 175 | 170M6621 | 170M6671 ² | 170M6721 | 170M6771 |

¹ 170M6670 600 V a.c. (IEC)/550 V a.c. ² 170M6671 550 V a.c. (IEC and UL).

Data sheets: 170K6314 (Size 1*), 170K6316 (Size 1), 170K6318 (Size 2), 170K6320 (Size 3)

Size 1* to 3, US style, 170M

1000 V a.c. (IEC), 50 to 1400 A

Specifications

Description

Square body US style bolted tags high speed fuse links for the protection of DC common bus, DC drives, power converters/rectifiers and reduced rated voltage starters.

Technical data

Rated voltage: 1000 V a.c. (IEC), 900 V a.c. (IEC, 1400 A)

Rated current: 50-1400 A

Breaking capacity: 125kA RMS Sym.

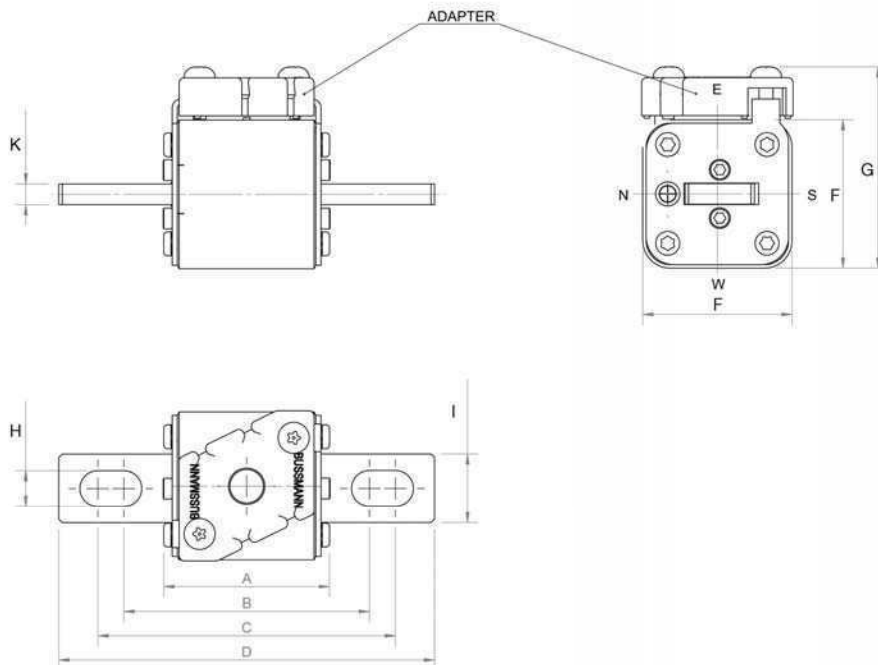
Operating class: aR

Standards / Agency information

CE, Designed and tested to IEC60269 Part 4. UL Recognised/CSA Component Acceptance status for size 2 and 3 (315-1100 A) and CCC approval for size 2 only.



Dimensions - mm



| Size | A | B | C | D | F | G | H | I | K |
|-----------|----|-------|-------|-----|----|----|------|----|---|
| 1*FKE/115 | 74 | 101 | 130 | 156 | 43 | 60 | 10.4 | 20 | 6 |
| 1FKE/115 | 76 | 102 | 128 | 160 | 51 | 68 | 14.3 | 25 | 6 |
| 2FKE/115 | 76 | 101.1 | 127.5 | 160 | 59 | 76 | 14.4 | 25 | 6 |
| 3FKE/115 | 76 | 101.1 | 127.5 | 158 | 74 | 91 | 16 | 36 | 6 |

1mm = 0.0394"

Data sheets: 170K8564 (Size 1*), 170K8566 (Size 1), 170K8568 (Size 2), 170K8570 (Size 3)

Size 1* to 3, US style, 170M

1000 V a.c. (IEC), 50 to 1400 A

| Fuse link body size | Rated voltage | Rated current (Amps) | I ² t (A ² Sec) | | Watts loss (W) | Catalogue numbers | |
|---------------------|----------------------|----------------------|---------------------------------------|-------------------------|----------------|-------------------------------------|----------|
| | | | Pre-arcing | Clearing at 1000 V a.c. | | -FKE/115 Type K indicator for micro | |
| 1* | 1000 V a.c. (IEC) | 50 | 135 | 815 | 20 | 170M3531 | |
| | | 63 | 215 | 1300 | 25 | 170M3532 | |
| | | 80 | 460 | 2750 | 30 | 170M3533 | |
| | | 100 | 860 | 5100 | 35 | 170M3534 | |
| | | 125 | 1450 | 8600 | 40 | 170M3535 | |
| | | 160 | 2850 | 17,500 | 45 | 170M3536 | |
| | | 200 | 4950 | 29,500 | 50 | 170M3537 | |
| | | 250 | 9550 | 57,000 | 55 | 170M3538 | |
| | | 315 | 21,500 | 130,000 | 65 | 170M3539 | |
| | | 350 | 29,000 | 175,000 | 70 | 170M3540 | |
| 1 | 1000 V a.c. (IEC) | 400 | 42,000 | 250,000 | 75 | 170M3541 | |
| | | 160 | 2200 | 13,500 | 40 | 170M4531 | |
| | | 200 | 4150 | 24,500 | 50 | 170M4532 | |
| | | 250 | 7750 | 46,000 | 55 | 170M4533 | |
| | | 315 | 16,500 | 98,500 | 65 | 170M4534 | |
| | | 350 | 21,500 | 130,000 | 70 | 170M4535 | |
| | | 400 | 31,000 | 185,000 | 75 | 170M4536 | |
| | | 450 | 44,500 | 265,000 | 80 | 170M4537 | |
| | | 500 | 63,000 | 375,000 | 85 | 170M4538 | |
| | | 550 | 84,500 | 500,000 | 90 | 170M4539 | |
| 2 | 1000 V a.c. (IEC/UL) | 630 | 125,000 | 755,000 | 98 | 170M4540 | |
| | | 250 | 6750 | 40,000 | 65 | 170M5531 | |
| | | 315 | 13,500 | 81,500 | 75 | 170M5532 | |
| | | 350 | 16,500 | 99,000 | 80 | 170M5533 | |
| | | 400 | 26,000 | 155,000 | 85 | 170M5534 | |
| | | 450 | 35,500 | 210,000 | 90 | 170M5535 | |
| | | 500 | 49,500 | 295,000 | 95 | 170M5536 | |
| | | 550 | 66,000 | 390,000 | 100 | 170M5337 | |
| | | 630 | 93,500 | 555,000 | 110 | 170M5538 | |
| | | 700 | 130,000 | 770,000 | 115 | 170M5539 | |
| 3 | 1000 V a.c. (IEC/UL) | 800 | 195,000 | 1,200,000 | 125 | 170M5540 | |
| | | 315 | 9200 | 54,500 | 90 | 170M8531 | |
| | | 350 | 13,000 | 77,500 | 95 | 170M8532 | |
| | | 400 | 19,000 | 115,000 | 105 | 170M8533 | |
| | | 450 | 27,000 | 160,000 | 107 | 170M8534 | |
| | | 500 | 37,500 | 225,000 | 110 | 170M8535 | |
| | | 550 | 52,000 | 310,000 | 115 | 170M8536 | |
| | | 630 | 82,500 | 490,000 | 120 | 170M8537 | |
| | | 700 | 115,000 | 700,000 | 125 | 170M8538 | |
| | | 800 | 170,000 | 1,050,000 | 135 | 170M8539 | |
| 3 | 1000 V a.c. (IEC) | 900 | 250,000 | 1,500,000 | 145 | 170M8540 | |
| | | 1000 | 340,000 | 2,050,000 | 150 | 170M8541 | |
| | | 1100 | 460,000 | 2,750,000 | 155 | 170M8542 | |
| | | 1250 | 575,000 | 3,400,000 | 175 | 170M8543 | |
| | | 900 V a.c. (IEC) | 1400 | 795,000 | 4,200,000 | 185 | 170M8544 |

Data sheets: 170K8564 (Size 1*), 170K8566 (Size 1), 170K8568 (Size 2), 170K8570 (Size 3)

Size 1* to 3, US style, 170M

1250 V a.c. (IEC), 1300 V a.c. (UL), 50 to 1400 A

Specifications

Description

Square body US style bolted tags high speed fuse links for the protection of DC common bus, DC drives, power converters/rectifiers and reduced rated voltage starters.

Technical data

Rated voltage: 1250 V a.c. (IEC), 1300 V a.c. (UL)

Rated current: 50-1400 A

Breaking capacity: 100 kA RMS Sym.

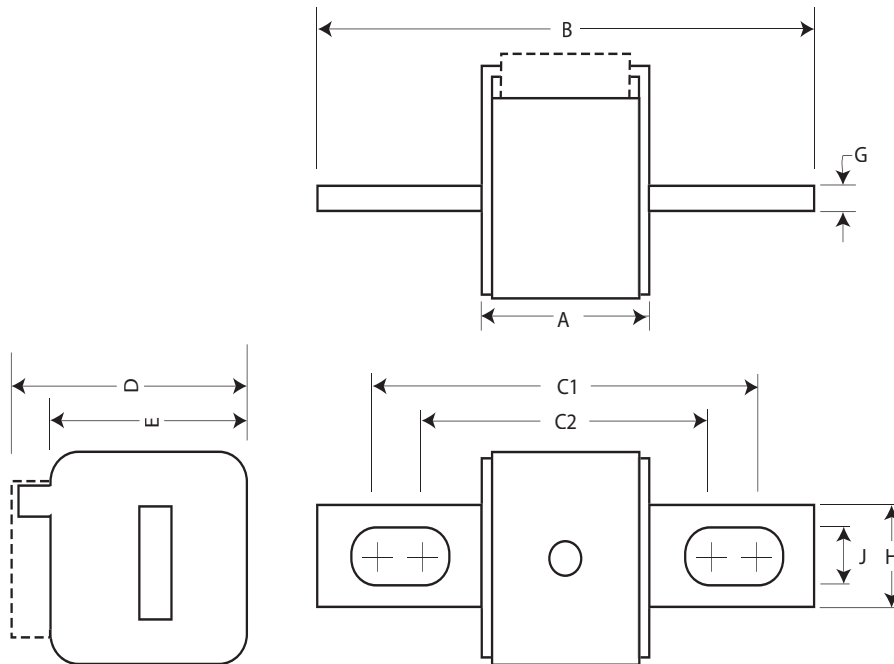
Operating class: aR

Standards / Agency information

CE, Designed and tested to IEC 60269 part 4. Consult Eaton's Bussmann business for UL Recognition/CSA Component Acceptance status and CCC approvals.



Dimensions - mm



Type-FU/115,-FKE/115

| Size | A | B | C1 | C2 | D | E | G | H | J |
|------|----|-----|-----|-----|----|----|---|----|----|
| 1* | 74 | 156 | 130 | 101 | 59 | 45 | 6 | 20 | 10 |
| 1 | 76 | 160 | 127 | 102 | 69 | 53 | 6 | 25 | 14 |
| 2 | 76 | 160 | 127 | 102 | 77 | 61 | 6 | 25 | 14 |
| 3 | 76 | 159 | 128 | 101 | 92 | 76 | 6 | 36 | 16 |

Data sheets: 170K6630 (Size 1*), 170K6632 (Size 1), 170K6634 (Size 2), 170K6636 (Size 3)

Size 1* to 3, US style, 170M

1250 V a.c. (IEC), 1300 V a.c. (UL), 50 to 1400 A

| Fuse link body size | Rated voltage | Rated current (Amps) | I ² t (A ² Sec) | | | Watts loss (W) | Catalogue numbers | |
|---------------------|---------------------------------------|----------------------|---------------------------------------|-------------------------|-------------------------|----------------|---------------------------|-------------------------------------|
| | | | Pre-arcing | Clearing at 1000 V a.c. | Clearing at 1250 V a.c. | | -FU/115 without indicator | -FKE/115 Type K indicator for micro |
| 1* | 1250 V a.c. (IEC) 1300 V a.c. (UL) | 50 | 135 | 815 | 1100 | 15 | 170M3688 | 170M3738 |
| | | 63 | 215 | 1300 | 1750 | 20 | 170M3689 | 170M3739 |
| | | 80 | 420 | 2500 | 3350 | 25 | 170M3690 | 170M3740 |
| | | 100 | 750 | 4450 | 5950 | 30 | 170M3691 | 170M3741 |
| | | 125 | 1450 | 9000 | 11,500 | 35 | 170M3692 | 170M3742 |
| | | 160 | 2600 | 16,000 | 21,000 | 40 | 170M3693 | 170M3743 |
| | | 200 | 5150 | 31,000 | 41,000 | 45 | 170M3694 | 170M3744 |
| | | 250 | 9200 | 54,500 | 73,000 | 55 | 170M3695 | 170M3745 |
| | | 315 | 18,500 | 115,000 | 150,000 | 60 | 170M3696 | 170M3746 |
| | | 350 | 27,000 | 165,000 | 220,000 | 65 | 170M3697 | 170M3747 |
| 1 | 1250 V a.c. (IEC) 1300 V a.c. (UL) | 160 | 1900 | 11,500 | 15,500 | 45 | 170M4688 | 170M4738 |
| | | 200 | 3800 | 22,500 | 30,000 | 50 | 170M4689 | 170M4739 |
| | | 250 | 7750 | 46,000 | 61,500 | 60 | 170M4690 | 170M4740 |
| | | 315 | 15,000 | 90,000 | 120,000 | 65 | 170M4691 | 170M4741 |
| | | 350 | 20,000 | 125,000 | 165,000 | 70 | 170M4692 | 170M4742 |
| | | 400 | 29,500 | 175,000 | 235,000 | 75 | 170M4693 | 170M4743 |
| | 1100 V a.c. IEC | 450 | 42,000 | 250,000 | 335,000 | 80 | 170M4694 | 170M4744 |
| | | 500 | 69,500 | 340,000 | N/A | 85 | 170M4695 | 170M4745 |
| | | 550 | 95,000 | 465,000 | N/A | 95 | 170M4696 | 170M4746 |
| | | 630 | 130,000 | 660,000 | N/A | 100 | 170M4697 | 170M4747 |
| 2 | 1250 V a.c. (IEC) 1300 V a.c. (UL) | 250 | 6500 | 38,500 | 51,500 | 65 | 170M5688 | 170M5738 |
| | | 280 | 9350 | 55,500 | 74,500 | 70 | 170M5689 | 170M5739 |
| | | 315 | 13,000 | 77,500 | 105,000 | 75 | 170M5690 | 170M5740 |
| | | 350 | 16,500 | 97,500 | 135,000 | 80 | 170M5691 | 170M5741 |
| | | 400 | 23,000 | 140,000 | 180,000 | 85 | 170M5692 | 170M5742 |
| | | 450 | 34,000 | 205,000 | 270,000 | 90 | 170M5693 | 170M5743 |
| | | 500 | 48,000 | 285,000 | 380,000 | 95 | 170M5694 | 170M5744 |
| | | 550 | 62,000 | 370,000 | 495,000 | 100 | 170M5695 | 170M5745 |
| | 1100 V a.c. IEC | 630 | 115,000 | 575,000 | 730,000 | 120 | 170M5696 | 170M5746 |
| | | 700 | 160,000 | 795,000 | N/A | 125 | 170M5697 | 170M5747 |
| 1000 V a.c. IEC | 800 | 245,000 | 1,200,000 | N/A | 130 | 170M5698 | 170M5748 | |
| | 900 | 360,000 | 1,750,000 | N/A | 135 | 170M5699 | 170M5749 | |
| | 1000 | 480,000 | 2,350,000 | N/A | 145 | 170M5700 | 170M5750 | |
| 3 | 1250 V a.c. (IEC) 1300 V a.c. (UL) | 315 | 9500 | 58,000 | 77,500 | 85 | 170M6688 | 170M6738 |
| | | 350 | 13,500 | 81,500 | 110,000 | 90 | 170M6689 | 170M6739 |
| | | 400 | 19,000 | 120,000 | 160,000 | 95 | 170M6690 | 170M6740 |
| | | 450 | 31,000 | 185,000 | 245,000 | 100 | 170M6691 | 170M6741 |
| | | 500 | 39,000 | 235,000 | 310,000 | 105 | 170M6692 | 170M6742 |
| | | 550 | 55,000 | 325,000 | 435,000 | 110 | 170M6693 | 170M6743 |
| | | 630 | 83,500 | 495,000 | 665,000 | 115 | 170M6694 | 170M6744 |
| | | 700 | 115,000 | 705,000 | 940,000 | 120 | 170M6695 | 170M6745 |
| | | 1250 V a.c. (IEC) | 800 | 205,000 | 995,000 | 1,300,000 | 125 | 170M6696 |
| | 900 | | 305,000 | 1,500,000 | 1,900,000 | 130 | 170M6697 | 170M6747 |
| | 1000 | | 450,000 | 2,150,000 | N/A | 135 | 170M6698 | 170M6748 |
| | 1100 V a.c. (IEC) 1000 V a.c. (UL) | 1100 | 575,000 | 2,800,000 | N/A | 160 | 170M6699 | 170M6749 |
| | | 1250 | 810,000 | 3,950,000 | N/A | 170 | 170M6700 | 170M6750 |
| | 1000 V a.c. IEC & UL | 1400 | 1,250,000 | 6,000,000 | N/A | 175 | 170M6701 | 170M6751 |

Data sheets: 170K6630 (Size 1*), 170K6632 (Size 1), 170K6634 (Size 2), 170K6636 (Size 3)

Size 00, Flush end contact, 170M

690 V a.c., 25 to 400 A

Specifications

Description

Square body flush end contact high speed fuse links, for the protection of DC common bus, DC drives, power converters/rectifiers and reduced rated voltage starters.

Technical data

| | |
|--------------------|------------------------------|
| Rated voltage: | 690 V a.c. (IEC) |
| Rated current: | 25-400 A |
| Breaking capacity: | 200 kA RMS Sym. |
| Operating class: | gR (25-80 A), aR (100-400 A) |

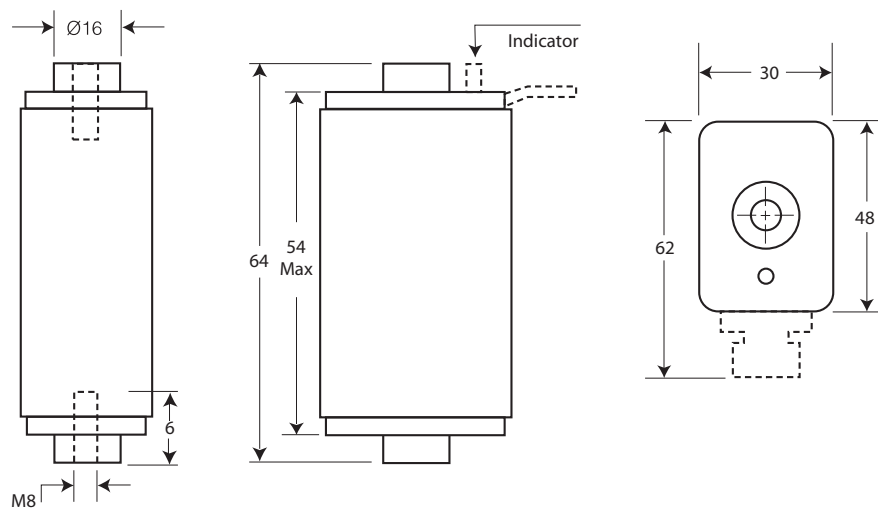
Standards / Agency information

CE, Designed and tested to IEC 60269 Part 4.



| Fuse link body size | Rated voltage | Rated current (Amps) | I _t (A ² Sec) | | Watts loss (W) | Catalogue numbers | |
|---------------------|------------------|----------------------|-------------------------------------|------------------------|----------------|-------------------------|-------------------------------------|
| | | | Pre-arcing | Clearing at 660 V a.c. | | 00B/60 visual indicator | 00BTN/60 Type T indicator for micro |
| 00 | 690 V a.c. (IEC) | 25 | 19 | 130 | 6 | 170M2708 | 170M2758 |
| | | 32 | 28.5 | 195 | 7 | 170M2709 | 170M2759 |
| | | 40 | 50 | 360 | 9 | 170M2710 | 170M2760 |
| | | 50 | 95 | 640 | 10 | 170M2711 | 170M2761 |
| | | 63 | 170 | 1200 | 12 | 170M2712 | 170M2762 |
| | | 80 | 310 | 2100 | 15 | 170M2713 | 170M2763 |
| | | 100 | 620 | 4150 | 20 | 170M2714 | 170M2764 |
| | | 125 | 1000 | 6950 | 25 | 170M2715 | 170M2765 |
| | | 160 | 1900 | 13,000 | 30 | 170M2716 | 170M2766 |
| | | 200 | 3400 | 23,000 | 35 | 170M2717 | 170M2767 |
| | | 250 | 6250 | 42,000 | 45 | 170M2718 | 170M2768 |
| | | 315 | 10,000 | 68,500 | 55 | 170M2719 | 170M2769 |
| | | 350 | 13,500 | 91,500 | 60 | 170M2720 | 170M2770 |
| | | 400 | 18,000 | 125,000 | 70 | 170M2721 | 170M2771 |

Dimensions - mm



Data sheet: 170K6312

Size 1* to 3, Flush end contact, 170M

690 V a.c. (IEC), 700 V a.c. (UL), 40 to 2000 A

Specifications

Description

Square body flush end contact high speed fuse links, for the protection of DC common bus, DC drives, power converters/rectifiers and reduced rated voltage starters.

Technical data

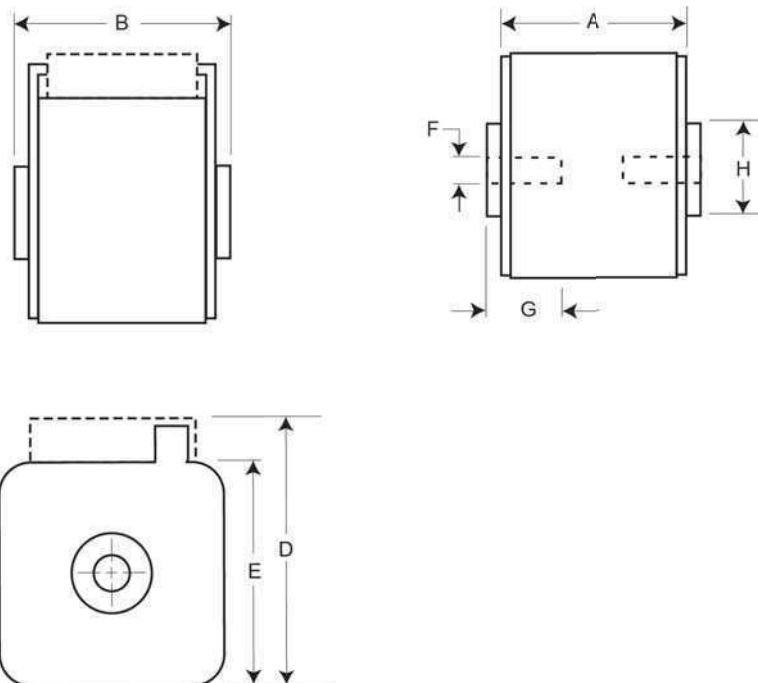
Rated voltage: see table page 58
 Rated current: 40-2000 A
 Breaking capacity: 200 kA RMS Sym.
 Operating class: aR

Standards / Agency information

CE, Designed and tested to IEC 60269 Part 4. Consult Eaton's Bussmann business for UL Recognition, CSA Component Acceptance Status and CCC approvals.



Dimensions - mm



Type -B/-, -BKN/-, -G/-, -GKN/-

| Size | A | B | D ¹ | E | F | F' (in) | G | H |
|------|----|---|----------------|----|-----|------------------|----|-----|
| 1* | 50 | 51 | 59 | 45 | M8 | 5/16" -18 UNC-2B | 5 | N17 |
| 1 | 50 | 51 | 69 | 53 | M8 | 5/16" -18 UNC-2B | 8 | N20 |
| 2 | 50 | 51 (400 - 1000 A) 65 (1100 and 1250 (A)) | 77 | 61 | M10 | 3/8" -16 UNC-2B | 10 | N24 |
| 3 | 51 | 53 (500 - 1500 A) 65 (1600 - 2000 A) | 92 | 76 | M12 | 1/2" -13 UNC-2B | 10 | N30 |

¹ Valid for fuse links type -G- & -GKN/.

³ Valid for fuse links type -BKN/ and -GKN/.

Data sheets: 170K6314 (Size 1*), 170K6316 (Size 1), 170K6318 (Size 2), 170K6320 (Size 3)

| Fuse link body size | Rated voltage | Rated current (Amps) | I ² t (A ² Sec) | | Watts loss (W) | Catalogue numbers | | | | |
|---------------------|-------------------------------------|-------------------------------------|---------------------------------------|------------------------|----------------|-----------------------|-----------------------------------|-----------------------|-----------------------------------|----------|
| | | | Pre-arcing | Clearing at 660 V a.c. | | -B/- visual indicator | -BKN/- Type K indicator for micro | -G/- visual indicator | -GKN/- Type K indicator for micro | |
| 1* | 690 V a.c. (IEC) 700 V a.c. (UL) | 40 | 40 | 270 | 9 | 170M3408 | 170M3458 | 170M3508 | 170M3558 | |
| | | 50 | 77 | 515 | 11 | 170M3409 | 170M3459 | 170M3509 | 170M3559 | |
| | | 63 | 115 | 770 | 14 | 170M3410 | 170M3460 | 170M3510 | 170M3560 | |
| | | 80 | 185 | 1250 | 18 | 170M3411 | 170M3461 | 170M3511 | 170M3561 | |
| | | 100 | 360 | 2450 | 21 | 170M3412 | 170M3462 | 170M3512 | 170M3562 | |
| | | 125 | 550 | 3700 | 26 | 170M3413 | 170M3463 | 170M3513 | 170M3563 | |
| | | 160 | 1100 | 7500 | 30 | 170M3414 | 170M3464 | 170M3514 | 170M3564 | |
| | | 200 | 2200 | 15,000 | 35 | 170M3415 | 170M3465 | 170M3515 | 170M3565 | |
| | | 250 | 4200 | 28,500 | 40 | 170M3416 | 170M3466 | 170M3516 | 170M3566 | |
| | | 315 | 7000 | 46,500 | 50 | 170M3417 | 170M3467 | 170M3517 | 170M3567 | |
| | | 350 | 10,000 | 68,500 | 55 | 170M3418 | 170M3468 | 170M3518 | 170M3568 | |
| | | 400 | 15,000 | 105,000 | 60 | 170M3419 | 170M3469 | 170M3519 | 170M3569 | |
| | | 450 | 21,000 | 140,000 | 65 | 170M3420 | 170M3470 | 170M3520 | 170M3570 | |
| | | 500 | 27,000 | 180,000 | 70 | 170M3421 | 170M3471 | 170M3521 | 170M3571 | |
| | | 550 | 34,000 | 230,000 | 75 | 170M3422 | 170M3472 | 170M3522 | 170M3572 | |
| 630 | 48,500 | 325,000 | 80 | 170M3423 | 170M3473 | 170M3523 | 170M3573 | | | |
| 1 | 690 V a.c. (IEC) 700 V a.c. (UL) | 200 | 1650 | 11,500 | 45 | 170M4408 | 170M4458 | 170M4508 | 170M4558 | |
| | | 250 | 3100 | 21,000 | 55 | 170M4409 | 170M4459 | 170M4509 | 170M4559 | |
| | | 315 | 6200 | 42,000 | 58 | 170M4410 | 170M4460 | 170M4510 | 170M4560 | |
| | | 350 | 8500 | 59,000 | 60 | 170M4411 | 170M4461 | 170M4511 | 170M4561 | |
| | | 400 | 13,500 | 91,500 | 65 | 170M4412 | 170M4462 | 170M4512 | 170M4562 | |
| | | 450 | 17,000 | 120,000 | 70 | 170M4413 | 170M4463 | 170M4513 | 170M4563 | |
| | | 500 | 25,000 | 170,000 | 72 | 170M4414 | 170M4464 | 170M4514 | 170M4564 | |
| | | 550 | 34,000 | 230,000 | 75 | 170M4415 | 170M4465 | 170M4515 | 170M4565 | |
| | | 630 | 52,000 | 350,000 | 80 | 170M4416 | 170M4466 | 170M4516 | 170M4566 | |
| | | 700 | 69,500 | 465,000 | 85 | 170M4417 | 170M4467 | 170M4517 | 170M4567 | |
| 550 V a.c. (IEC) | 800 | 105,000 | 725,000 | 95 | 170M4418 | 170M4468 | 170M4518 | 170M4568 | | |
| | 900 | 155,000 | 850,000 | 100 | 170M4419 | 170M4469 | 170M4519 | 170M4569 | | |
| 2 | 690 V a.c. (IEC) 700 V a.c. (UL) | 400 | 11,000 | 74,000 | 65 | 170M5408 | 170M5458 | 170M5508 | 170M5558 | |
| | | 450 | 15,500 | 105,000 | 70 | 170M5409 | 170M5459 | 170M5509 | 170M5559 | |
| | | 500 | 21,500 | 145,000 | 75 | 170M5410 | 170M5460 | 170M5510 | 170M5560 | |
| | | 550 | 28,000 | 190,000 | 80 | 170M5411 | 170M5461 | 170M5511 | 170M5561 | |
| | | 630 | 41,000 | 275,000 | 90 | 170M5412 | 170M5462 | 170M5512 | 170M5562 | |
| | | 700 | 60,500 | 405,000 | 95 | 170M5413 | 170M5463 | 170M5513 | 170M5563 | |
| | | 800 | 86,000 | 575,000 | 105 | 170M5414 | 170M5464 | 170M5514 | 170M5564 | |
| | | 900 | 125,000 | 840,000 | 110 | 170M5415 | 170M5465 | 170M5515 | 170M5565 | |
| | | 1000 | 180,000 | 1,250,000 | 115 | 170M5416 | 170M5466 | 170M5516 | 170M5566 | |
| | | 600 V a.c. (IEC) 700 V a.c. (UL) | 1100 | 245,000 | 1,600,000 | 120 | 170M5417 | 170M5467 | 170M5517 | 170M5567 |
| 3 | 690 V a.c. (IEC) 700 V a.c. (UL) | 1250 | 365,000 | 2,400,000 | 130 | 170M5418 | 170M5468 | 170M5518 | 170M5568 | |
| | | 500 | 14,000 | 95,000 | 95 | 170M6408 | 170M6458 | 170M6508 | 170M6558 | |
| | | 550 | 19,500 | 135,000 | 100 | 170M6409 | 170M6459 | 170M6509 | 170M6559 | |
| | | 630 | 31,000 | 210,000 | 105 | 170M6410 | 170M6460 | 170M6510 | 170M6560 | |
| | | 700 | 44,500 | 300,000 | 110 | 170M6411 | 170M6461 | 170M6511 | 170M6561 | |
| | | 800 | 69,500 | 465,000 | 115 | 170M6412 | 170M6462 | 170M6512 | 170M6562 | |
| | | 900 | 100,000 | 670,000 | 120 | 170M6413 | 170M6463 | 170M6513 | 170M6563 | |
| | | 1000 | 140,000 | 945,000 | 125 | 170M6414 | 170M6464 | 170M6514 | 170M6564 | |
| | | 1100 | 190,000 | 1,300,000 | 130 | 170M6415 | 170M6465 | 170M6515 | 170M6565 | |
| | | 1250 | 290,000 | 1,950,000 | 140 | 170M6416 | 170M6466 | 170M6516 | 170M6566 | |
| | | 1400 | 370,000 | 2,450,000 | 155 | 170M6417 | 170M6467 | 170M6517 | 170M6567 | |
| | | 1500 | 460,000 | 3,100,000 | 160 | 170M6418 | 170M6468 | 170M6518 | 170M6568 | |
| | | 1600 | 580,000 | 3,900,000 | 160 | 170M6419 | 170M6469 | 170M6519 | 170M6569 | |
| | | 600 V a.c. (IEC)/500 V a.c. (UL) | 1800 | 880,000 | 5,250,000 | 165 | 170M6420 | 170M6470 | 170M6520 | 170M6570 |
| | | 550 V a.c. (IEC)/500 V a.c. (UL) | 2000 | 1,150,000 | 6,350,000 | 175 | 170M6421 | 170M6471 | 170M6521 | 170M6571 |

Data sheets: 170K6314 (Size 1*), 170K6316 (Size 1), 170K6318 (Size 2), 170K6320 (Size 3)

Size 1* to 3, Flush end contact, 170M

1000 V a.c. (IEC and UL), 50 to 1400 A

Specifications

Description

Square body flush end contact high speed fuse links, for the protection of DC common bus, DC drives, power converters/rectifiers and reduced rated voltage starters.

Technical data

Rated voltage:

- 1000 V a.c. (IEC, 50-1250 A),
- 1000 V a.c. (UL, 250-1100 A)
- 900 V a.c. (IEC, 1400 A)

Rated current: 50-1400 A

Breaking capacity: 125kA RMS Sym.

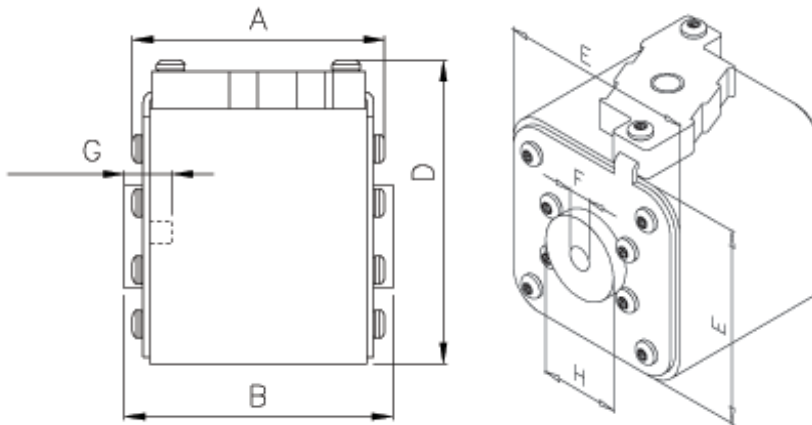
Operating class: aR

Standards / Agency information

CE, Designed and tested to IEC 60269 Part 4, UL Recognised for size 2 and 3 (only up to 1100 A).



Dimensions - mm



Type -BKN/- and -GKN/-

| Size | Type | A | B | D (max) | E | F | F' (in) | G (min) | H |
|------|-----------------|------|------|---------|----|-----|-----------------|---------|------|
| 1* | BKN/75 + GKN/75 | 72.5 | 74 | 61 | 43 | M8 | 5/16" 18 UNC-2B | 5 | 17.5 |
| 1 | BKN/75 + GKN/75 | 73.2 | 74 | 69 | 52 | M8 | 5/16" 18 UNC-2B | 8 | 20 |
| 2 | BKN/75 + GKN/75 | 73.2 | 74.4 | 77 | 59 | M10 | 3/8" 16 UNC-2B | 10 | 24.5 |
| 3 | BKN/75 + GKN/75 | 73.3 | 75.4 | 92 | 74 | M12 | 1/2" 13 UNC-2B | 10 | 30 |
| 3 | BKN/90 + GKN/90 | 80.3 | 91.4 | 92 | 74 | M12 | 1/2" 13 UNC-2B | 10 | 30 |

¹ Valid for fuses type -GKN/-.

Size 1* to 3, Flush end contact, 170M
1000 V a.c. (IEC and UL), 50 to 1400 A

| Fuse link body size | Rated voltage | Rated current (Amps) | I ² t (A ² Sec) | | Watts loss (W) | Catalogue numbers | |
|---------------------|----------------------|----------------------|---------------------------------------|---------------------------|----------------|-----------------------------------|-----------------------------------|
| | | | Pre-arcing | Clearing at rated voltage | | -BKN/- Type K indicator for micro | -GKN/- Type K indicator for micro |
| 1* | 1000 V a.c. (IEC) | 50 | 135 | 815 | 20 | 170M3951 | 170M3921 |
| | | 63 | 215 | 1300 | 25 | 170M3952 | 170M3922 |
| | | 80 | 460 | 2750 | 30 | 170M3953 | 170M3923 |
| | | 100 | 860 | 5100 | 35 | 170M3954 | 170M3924 |
| | | 125 | 1450 | 8600 | 40 | 170M3955 | 170M3925 |
| | | 160 | 2850 | 17,500 | 45 | 170M3956 | 170M3926 |
| | | 200 | 4950 | 29,500 | 50 | 170M3957 | 170M3927 |
| | | 250 | 9550 | 57,000 | 55 | 170M3958 | 170M3928 |
| | | 315 | 21,500 | 130,000 | 65 | 170M3959 | 170M3929 |
| | | 350 | 29,000 | 175,000 | 70 | 170M3960 | 170M3930 |
| 1 | 1000 V a.c. (IEC) | 400 | 42,000 | 250,000 | 75 | 170M3961 | 170M3931 |
| | | 160 | 2200 | 13,500 | 40 | 170M4951 | 170M4921 |
| | | 200 | 4150 | 24,500 | 45 | 170M4952 | 170M4922 |
| | | 250 | 7750 | 46,000 | 52 | 170M4953 | 170M4923 |
| | | 315 | 16,500 | 98,500 | 60 | 170M4954 | 170M4924 |
| | | 350 | 21,500 | 130,000 | 65 | 170M4955 | 170M4925 |
| | | 400 | 31,000 | 185,000 | 70 | 170M4956 | 170M4926 |
| | | 450 | 44,500 | 265,000 | 80 | 170M4957 | 170M4927 |
| | | 500 | 63,000 | 375,000 | 85 | 170M4958 | 170M4928 |
| | | 550 | 84,500 | 500,000 | 90 | 170M4959 | 170M4929 |
| 2 | 1000 V a.c. (IEC/UL) | 630 | 125,000 | 755,000 | 98 | 170M4960 | 170M4930 |
| | | 250 | 6750 | 40,000 | 65 | 170M5952 | 170M5922 |
| | | 315 | 13,500 | 81,500 | 75 | 170M5953 | 170M5923 |
| | | 350 | 16,500 | 99,000 | 80 | 170M5954 | 170M5924 |
| | | 400 | 26,000 | 155,000 | 85 | 170M5955 | 170M5925 |
| | | 450 | 35,500 | 210,000 | 90 | 170M5956 | 170M5926 |
| | | 500 | 49,500 | 295,000 | 95 | 170M5957 | 170M5927 |
| | | 550 | 66,000 | 390,000 | 100 | 170M5958 | 170M5928 |
| | | 630 | 93,500 | 555,000 | 110 | 170M5959 | 170M5929 |
| | | 700 | 130,000 | 770,000 | 115 | 170M5960 | 170M5930 |
| 3 | 1000 V a.c. (IEC/UL) | 800 | 195,000 | 1,200,000 | 125 | 170M5961 | 170M5931 |
| | | 315 | 9200 | 54,500 | 90 | 170M8600 | 170M8500 |
| | | 350 | 13,000 | 77,500 | 95 | 170M8601 | 170M8501 |
| | | 400 | 19,000 | 115,000 | 105 | 170M8602 | 170M8502 |
| | | 450 | 27,000 | 160,000 | 107 | 170M8603 | 170M8503 |
| | | 500 | 37,500 | 225,000 | 110 | 170M8604 | 170M8504 |
| | | 550 | 52,000 | 310,000 | 115 | 170M8605 | 170M8505 |
| | | 630 | 82,500 | 490,000 | 120 | 170M8606 | 170M8506 |
| | | 700 | 115,000 | 700,000 | 125 | 170M8607 | 170M8507 |
| | | 800 | 170,000 | 1,050,000 | 135 | 170M8608 | 170M8508 |
| 3 | 1000 V a.c. (IEC) | 900 | 250,000 | 1,500,000 | 145 | 170M8609 | 170M8509 |
| | | 1000 | 340,000 | 2,050,000 | 150 | 170M8610 | 170M8510 |
| | | 1100 | 460,000 | 2,750,000 | 155 | 170M8611 | 170M8511 |
| | | 1250 | 575,000 | 3,400,000 | 175 | 170M8612 ¹ | 170M8512 ¹ |
| 3 | 900 V a.c. (IEC) | 1400 | 795,000 | 4,200,000 | 185 | 170M8613 ¹ | 170M8513 ¹ |

¹ Overall length is 90 mm, for all other fuse links the overall length is 75 mm.

Size 1* to 3, Flush end contact, 170M

1250 V a.c. (IEC), 1300 V a.c. (UL), 50 to 1400 A

Specifications

Description

Square body flush end contact high speed fuse links, for the protection of DC common bus, DC drives, power converters/rectifiers and reduced rated voltage starters.

Technical data

Rated voltage:

- 1250 V a.c. (IEC)
- 1300 V a.c. (UL)

Rated current: 50-1400 A

Breaking capacity: 100 kA RMS Sym.

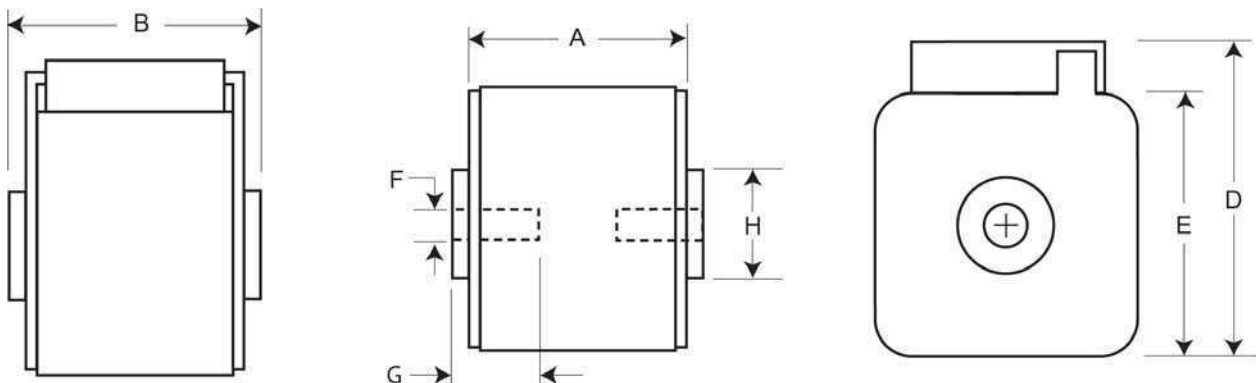
Operating class: aR

Standards / Agency information

CE, Designed and tested to IEC 60269 Part 4. Consult Eaton's Bussmann business for UL Recognition/CSA Component Acceptance Status.



Dimensions - mm



Type -BKN/- and -GKN/-

| Size | Type | A | B | D | E | F | F ¹ (in) | Min G | H |
|------|--------------|----|----|----|----|-----|---|-------|-----|
| 1* | BKN + GKN/75 | 74 | 75 | 59 | 45 | M8 | ⁵ / ₁₆ " -18 UNC-2B | 5 | Ø17 |
| 1* | BKN/80 | 80 | 81 | 59 | 45 | M8 | | 5 | Ø17 |
| 1 | BKN + GKN/75 | 74 | 75 | 69 | 53 | M8 | ⁵ / ₁₆ " -18 UNC-2B | 8 | Ø20 |
| 1 | BKN/80 | 80 | 81 | 69 | 53 | M8 | | 8 | Ø20 |
| 2 | BKN + GKN/75 | 74 | 75 | 77 | 61 | M10 | ³ / ₈ " -16 UNC-2B | 10 | Ø24 |
| 2 | BKN/80 | 80 | 81 | 77 | 61 | M10 | | 10 | Ø24 |
| 2 | BKN + GKN/90 | 80 | 91 | 77 | 61 | M10 | ³ / ₈ " -16 UNC-2B | 10 | Ø24 |
| 3 | BKN + GKN/75 | 74 | 76 | 92 | 76 | M12 | ¹ / ₂ " -13 UNC-2B | 10 | Ø30 |
| 3 | BKN/80 | 81 | 83 | 92 | 76 | M12 | | 10 | Ø30 |
| 3 | BKN + GKN/90 | 81 | 91 | 92 | 76 | M12 | ¹ / ₂ " -13 UNC-2B | 10 | Ø30 |

¹ Valid for fuses type -GKN/-.

Size 1* to 3, Flush end contact, 170M

1250 V a.c. (IEC), 1300 V a.c. (UL), 50 to 1400 A

| Fuse link body size | Rated voltage | Rated current (Amps) | I ² t (A ² Sec) | | | Watts loss (W) | Catalogue numbers | | | | |
|---------------------|---------------------------------------|----------------------|---------------------------------------|-------------------------|-------------------------|----------------|------------------------------------|------------------------------------|------------------------------------|------------------------------------|------------------------------------|
| | | | Pre-arcing | Clearing at 1000 V a.c. | Clearing at 1250 V a.c. | | -BKN/75 Type K indicator for micro | -BKN/80 Type K indicator for micro | -BKN/90 Type K Indicator for micro | -GKN/75 Type K Indicator for micro | -GKN/90 Type K Indicator for micro |
| 1* | 1250 V a.c. (IEC) 1300 V a.c. (UL) | 50 | 135 | 815 | 1100 | 15 | 170M3388 | 170M3438 | | 170M3488 | |
| | | 63 | 215 | 1300 | 1750 | 20 | 170M3389 | 170M3439 | | 170M3489 | |
| | | 80 | 420 | 2500 | 3350 | 25 | 170M3390 | 170M3440 | | 170M3490 | |
| | | 100 | 750 | 4450 | 5950 | 30 | 170M3391 | 170M3441 | | 170M3491 | |
| | | 125 | 1450 | 9000 | 11,500 | 35 | 170M3392 | 170M3442 | | 170M3492 | |
| | | 160 | 2600 | 16,000 | 21,000 | 40 | 170M3393 | 170M3443 | | 170M3493 | |
| | | 200 | 5150 | 31,000 | 41,000 | 45 | 170M3394 | 170M3444 | | 170M3494 | |
| | | 250 | 9200 | 54,500 | 73,000 | 55 | 170M3395 | 170M3445 | | 170M3495 | |
| | | 315 | 18,500 | 115,000 | 150,000 | 60 | 170M3396 | 170M3446 | | 170M3496 | |
| | | 350 | 27,000 | 165,000 | 220,000 | 65 | 170M3397 | 170M3447 | | 170M3497 | |
| 1 | 1250 V a.c. (IEC) 1300 V a.c. (UL) | 400 | 53,000 | 265,000 | 335,000 | 70 | | 170M3448 | | | |
| | | 160 | 1900 | 11,500 | 15,500 | 45 | 170M4388 | 170M4438 | | 170M4488 | |
| | | 200 | 3800 | 22,500 | 30,000 | 50 | 170M4389 | 170M4439 | | 170M4489 | |
| | | 250 | 7750 | 46,000 | 61,500 | 60 | 170M4390 | 170M4440 | | 170M4490 | |
| | | 315 | 15,000 | 90,000 | 120,000 | 65 | 170M4391 | 170M4441 | | 170M4491 | |
| | | 350 | 20,000 | 125,000 | 165,000 | 70 | 170M4392 | 170M4442 | | 170M4492 | |
| | | 400 | 29,500 | 175,000 | 235,000 | 75 | 170M4393 | 170M4443 | | 170M4493 | |
| | | 450 | 42,000 | 250,000 | 335,000 | 80 | 170M4394 | 170M4444 | | 170M4494 | |
| | | 500 | 69,500 | 340,000 | 435,000 | 85 | 170M4395 ⁴ | 170M4445 | | 170M4495 ⁴ | |
| | | 550 | 95,000 | 465,000 | 590,000 | 95 | 170M4396 ⁵ | 170M4446 | | 170M4496 ⁵ | |
| 2 | 1250 V a.c. (IEC) 1300 V a.c. (UL) | 630 | 130,000 | 660,000 | N/A | 110 | 170M4397 ⁵ | 170M4447 ⁴ | | 170M4497 ⁵ | |
| | | 250 | 6500 | 38,500 | 51,500 | 65 | 170M5388 | 170M5438 | | 170M5588 | |
| | | 280 | 9350 | 55,500 | 74,500 | 70 | 170M5389 | 170M5439 | | 170M5589 | |
| | | 315 | 13,000 | 77,500 | 105,000 | 75 | 170M5390 | 170M5440 | | 170M5590 | |
| | | 350 | 16,500 | 97,500 | 135,000 | 80 | 170M5391 | 170M5441 | | 170M5591 | |
| | | 400 | 23,000 | 140,000 | 180,000 | 85 | 170M5392 | 170M5442 | | 170M5592 | |
| | | 450 | 34,000 | 205,000 | 270,000 | 90 | 170M5393 | 170M5443 | | 170M5593 | |
| | | 500 | 48,000 | 285,000 | 380,000 | 95 | 170M5394 | 170M5444 | 170M5494 | 170M5594 | 170M5644 |
| | | 550 | 62,000 | 370,000 | 495,000 | 100 | 170M5395 | 170M5445 | 170M5495 | 170M5595 | 170M5645 |
| | | 630 | 115,000 | 575,000 | 730,000 | 120 | 170M5396 ⁴ | 170M5446 | 170M5496 | 170M5596 ⁴ | 170M5646 |
| 3 | 1250 V a.c. (IEC) 1300 V a.c. (UL) | 700 | 160,000 | 795,000 | 1,050,000 | 125 | 170M5397 ⁵ | 170M5447 ¹ | 170M5497 | 170M5597 ⁵ | 170M5647 |
| | | 800 | 245,000 | 1,200,000 | 1,550,000 | 130 | 170M5398 ⁵ | 170M5448 ² | 170M5498 | 170M5598 ⁵ | 170M5648 |
| | | 900 | 360,000 | 1,750,000 | N/A | 135 | | | 170M5499 ³ | | 170M5649 ³ |
| | | 1000 | 480,000 | 2,350,000 | N/A | 145 | | | 170M5500 ³ | | 170M5650 ³ |
| | | 315 | 9500 | 58,000 | 77,500 | 85 | 170M6338 | 170M6538 | | 170M6588 | |
| | | 350 | 13,500 | 81,500 | 110,000 | 90 | 170M6339 | 170M6539 | | 170M6589 | |
| | | 400 | 19,500 | 120,000 | 160,000 | 95 | 170M6340 | 170M6540 | | 170M6590 | |
| | | 450 | 31,000 | 185,000 | 245,000 | 100 | 170M6341 | 170M6541 | | 170M6591 | |
| | | 500 | 39,000 | 235,000 | 310,000 | 105 | 170M6342 | 170M6542 | | 170M6592 | |
| | | 550 | 55,000 | 325,000 | 435,000 | 110 | 170M6343 | 170M6543 | | 170M6593 | |
| 3 | 1250 V a.c. (IEC) 1300 V a.c. (UL) | 630 | 83,500 | 495,000 | 665,000 | 115 | 170M6344 | 170M6544 | 170M6494 | 170M6594 | 170M6644 |
| | | 700 | 115,000 | 705,000 | 940,000 | 120 | 170M6345 | 170M6545 | 170M6495 | 170M6595 | 170M6645 |
| | | 800 | 205,000 | 995,000 | 1,300,000 | 125 | 170M6346 ⁴ | 170M6546 | 170M6496 | 170M6596 ⁴ | 170M6646 |
| | | 900 | 305,000 | 1,500,000 | 1,900,000 | 130 | 170M6347 ⁵ | 170M6547 ¹ | 170M6497 | 170M6597 ⁵ | 170M6647 |
| | | 1000 | 450,000 | 2,150,000 | 2,750,000 | 135 | 170M6348 ⁵ | 170M6548 ¹ | 170M6498 | 170M6598 ⁵ | 170M6648 |
| | | 1100 | 575,000 | 2,800,000 | 3,600,000 | 160 | 170M6349 ⁵ | 170M6549 ² | 170M6499 | 170M6599 ⁵ | 170M6649 |
| | | 1250 | 810,000 | 3,950,000 | N/A | 170 | | | 170M6500 ³ | | 170M6650 ⁴ |
| | | 1400 | 1,250,000 | 6,000,000 | N/A | 175 | | | 170M6501 ³ | | 170M6651 ⁴ |

¹ Rated voltage 1100 V a.c. (IEC), 1000 V a.c. (UL).

² Rated voltage 1000 V a.c. (IEC and UL).

³ Rated voltage 1100 V a.c. (IEC and UL).

⁴ Rated voltage (IEC) 1100 V a.c.

⁵ Rated voltage (IEC) 1000 V a.c.

Data sheets: 170K6630 (Size 1*), 170K6632 (Size 1), 170K6634 (Size 2), 170K6636 (Size 3)

Size 4, Flush end contact, 170M

690 V a.c. (IEC), 700 V a.c. (UL), 1000 to 4000 A

Specifications

Description

Square body, flush end contact, high speed fuse links, for the protection of power rectifiers.

Technical data

Rated voltage:

- 690 V a.c. (IEC)/700 V a.c. (UL) 1000-3500 A
- 600 V a.c. (IEC and UL, 4000 A)

Rated current: 1000-4000 A

Breaking capacity: 200 kA RMS Sym.

Operating class: aR

Standards / Agency information

CE, Designed and tested to IEC 60269 Part 4, UL Recognised.



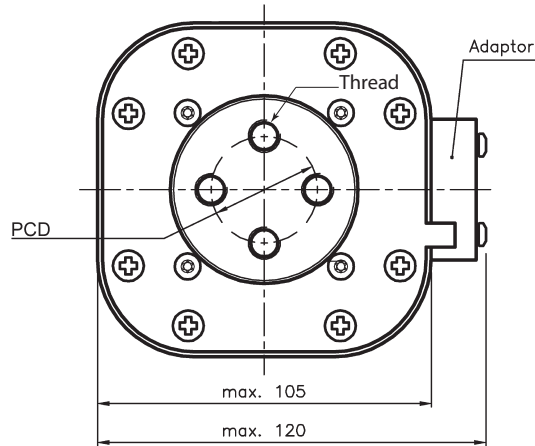
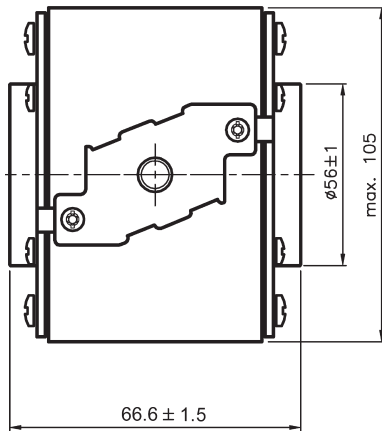
| Fuse link body size | Rated voltage | Rated current (Amps) | I ² t (A ² Sec) | | Watts loss (W) | Catalogue numbers | | | |
|---------------------|-------------------------------------|----------------------|---------------------------------------|-------------------------|----------------|------------------------|--------------------------|------------------------|--------------------------|
| | | | Pre-arcing | Clearing at 660 V a.c. | | -B/65 visual indicator | -BKN/65 Type K indicator | -G/65 visual indicator | -GKN/65 Type K indicator |
| 4 | 690 V a.c. (IEC) 700 V a.c. (UL) | 1000 | 76,000 | 505,000 | 175 | 170M7058 | 170M7078 | 170M7098 | 170M7118 |
| | | 1250 | 145,000 | 965,000 | 195 | 170M7059 | 170M7079 | 170M7099 | 170M7119 |
| | | 1400 | 205,000 | 1,400,000 | 205 | 170M7060 | 170M7080 | 170M7100 | 170M7120 |
| | | 1600 | 305,000 | 2,050,000 | 220 | 170M7061 | 170M7081 | 170M7101 | 170M7121 |
| | | 2000 | 600,000 | 3,950,000 | 245 | 170M7062 | 170M7082 | 170M7102 | 170M7122 |
| | | 2500 | 1,200,000 | 7,800,000 | 275 | 170M7063 | 170M7083 | 170M7103 | 170M7123 |
| | | 3000 | 2,000,000 | 13,500,000 | 305 | 170M7064 | 170M7084 | 170M7104 | 170M7124 |
| | 3500 | 3,250,000 | 22,000,000 | 325 | 170M7065 | 170M7085 | 170M7105 | 170M7125 | |
| | 600 V a.c. (IEC & UL) | 4000 | 4,700,000 | 28,000,000 ¹ | 355 | 170M7066 | 170M7086 | 170M7106 | 170M7126 |

¹ Clearing at 600 V a.c.

Size 4, Flush end contact, 170M

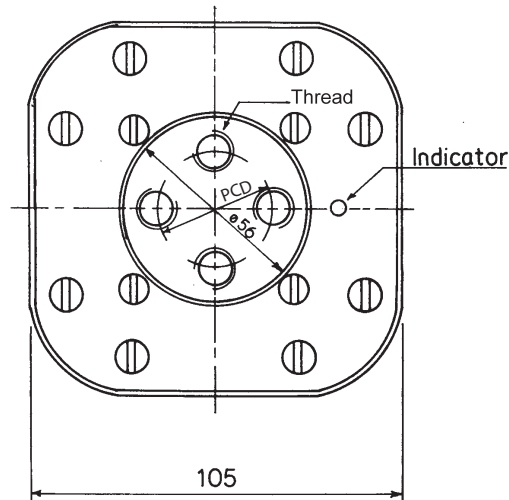
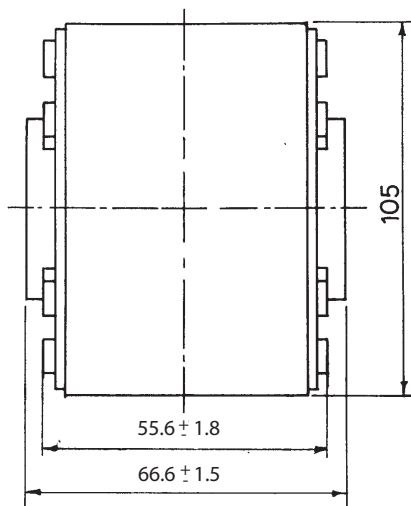
690 V a.c. (IEC), 700 V a.c. (UL), 1000 to 4000 A

Dimensions - mm



Type -BKN/65, -GKN/65

| Type | PCD | Thread |
|---------|--------|-------------|
| -GKN/65 | Ø 38.1 | UNC ½" - 13 |
| -BKN/65 | Ø 33 | M-10 |



Type -B/65, -G/65

| Type | PCD | Thread |
|-------|--------|-------------|
| -G/65 | Ø 38.1 | UNC ½" - 13 |
| -B/65 | Ø 33 | M-10 |

Size 4, Flush end contact, 170M

1000 V a.c. (IEC), 1000 to 3000 A

Specifications

Description

Square body, flush end contact, high speed fuse links, for the protection of power rectifiers.

Technical data

Rated voltage: 1000 V a.c. (IEC)
 Rated current: 1000-3000 A
 Breaking capacity: 200 kA RMS Sym.
 Operating class: aR

Standards / Agency information

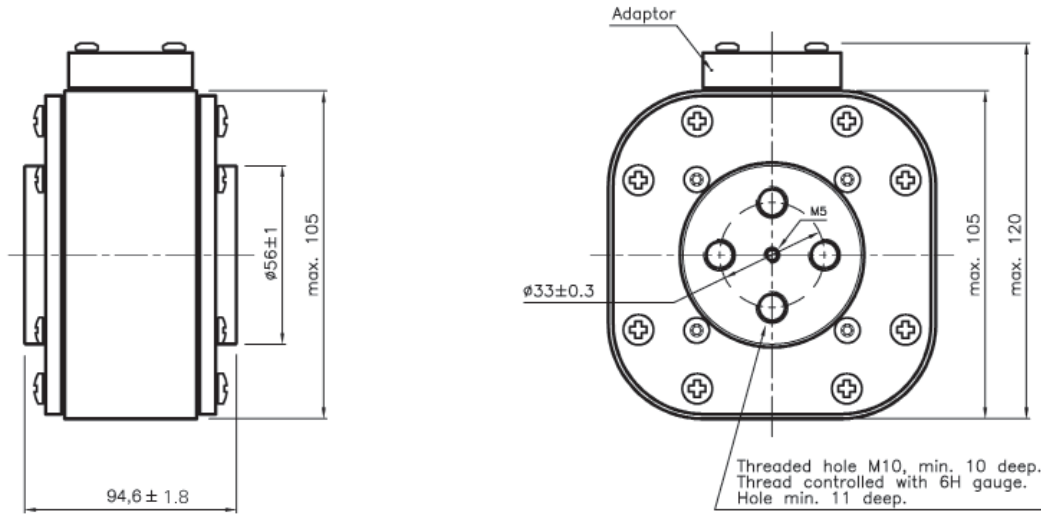
CE, Designed and tested to IEC 60269 Part 4.



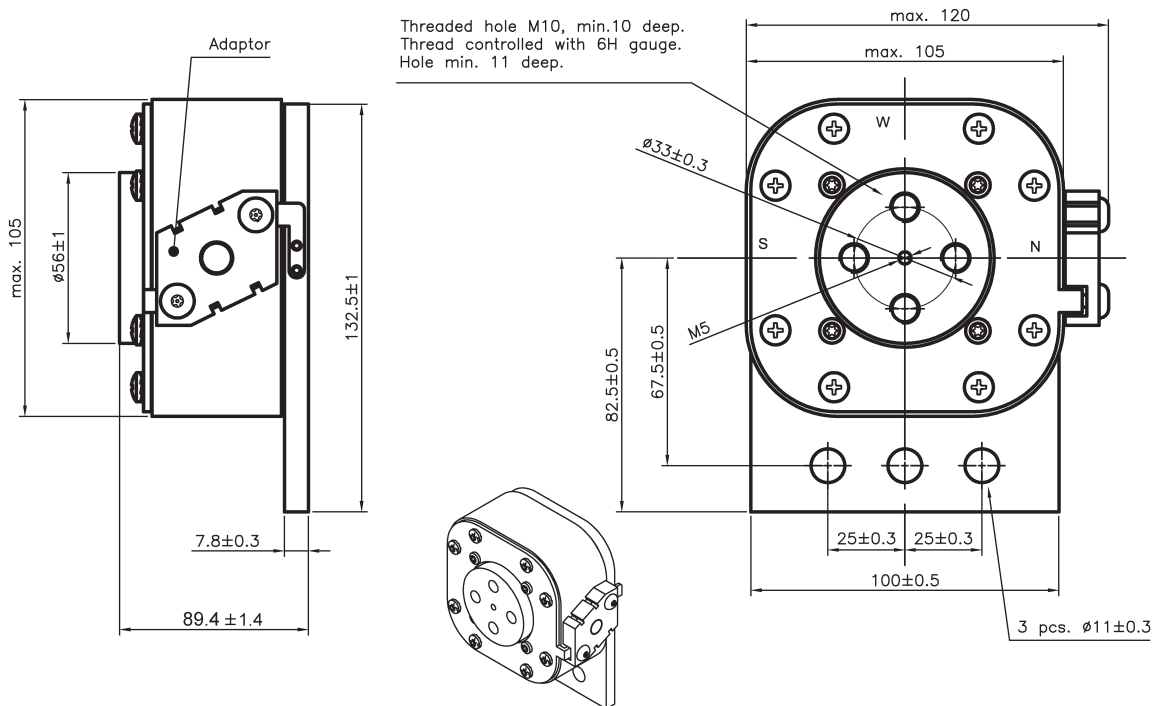
| Fuse link body size | Rated voltage | Rated current (Amps) | I ² t (A ² Sec) | | Watts loss (W) | Catalogue numbers | |
|---------------------|---------------|----------------------|---------------------------------------|-------------------------|----------------|--------------------------|---------------------------|
| | | | Pre-arcing | Clearing at 1000 V a.c. | | -BKN/95 Type K indicator | -SBKN/90 Type K indicator |
| 4 | 1000 V a.c. | 1000 | 180,000 | 1,100,000 | 195 | | 170M7542 |
| | | 1100 | 250,000 | 1,500,000 | 200 | | 170M7031 |
| | | 1500 | 600,000 | 3,600,000 | 250 | 170M7636 | 170M7548 |
| | | 1700 | 850,000 | 5,000,000 | 260 | 170M7639 | 170M7034 |
| | | 1800 | 1,000,000 | 5,950,000 | 265 | 170M7661 | 170M7053 |
| | | 2000 | 1,450,000 | 8,600,000 | 270 | 170M7963 | 170M7544 |
| | | 2200 | 2,000,000 | 12,000,000 | 280 | 170M7090 | 170M7035 |
| | | 2500 | 3,000,000 | 18,000,000 | 295 | 170M7640 | 170M7036 |
| | | 2700 | 3,700,000 | 22,000,000 | 310 | 170M7658 | 170M7037 |
| | | 3000 | 4,700,000 | 28,000,000 | 380 | 170M7962 | 170M7156 |

Size 4, Flush end contact, 170M
 1000 V a.c. (IEC), 1000 to 3000 A

Dimensions - mm



Type 4BKN/95



Type 4SBKN/90

Data sheets: 170K8520, 170K8520-R

Size 4, Flush end contact, 170M

1250 V a.c. (IEC), 800 to 2500 A

Specifications

Description

Square body, flush end contact, high speed fuse links, for the protection of power rectifiers.

Technical data

Rated voltage:

- 1250 V a.c. (IEC)
- 1200 V d.c. (UL)

Rated current: 800-2500 A

Breaking capacity:

- 200 kA RMS Sym.
- 85 kA d.c. (2ms TC)

Operating class: aR

Standards / Agency information

CE, Designed and tested to IEC 60269 Part 4, UL

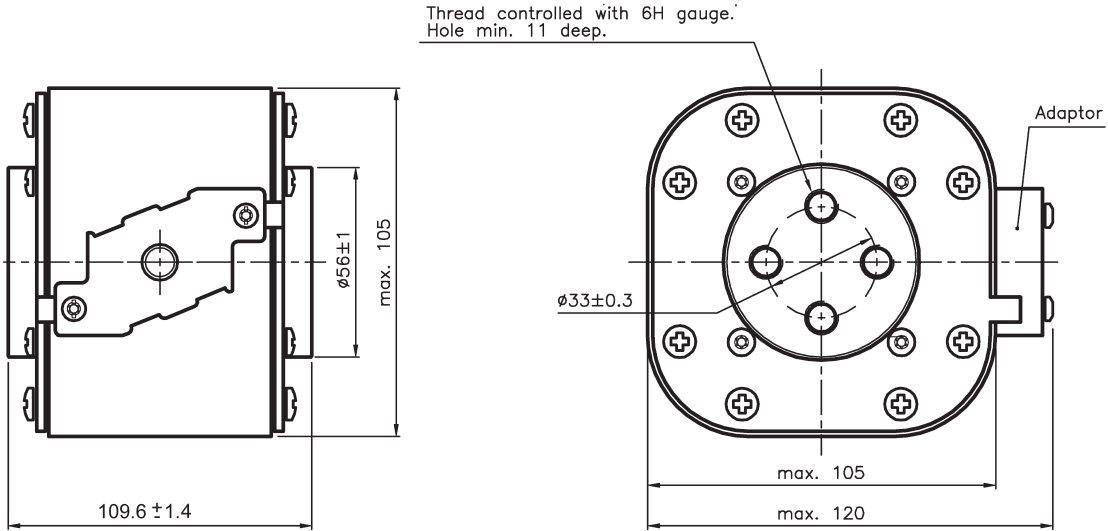


| Fuse link body size | Rated voltage | Rated current (Amps) | I ² t (A ² Sec) | | Watts loss (W) | Catalogue numbers | |
|---------------------|---------------------------------------|----------------------|---------------------------------------|-------------------------|----------------|---------------------------|----------------------------|
| | | | Pre-arcing | Clearing at 1250 V a.c. | | -BKN/105 Type K indicator | -SBKN/105 Type K indicator |
| 4 | 1250 V a.c. (IEC) 1200 V d.c. (UL) | 800 | 145,000 | 905,000 | 195 | 170M7802 | - |
| | | 1000 | 275,000 | 1,750,000 | 220 | 170M7803 | - |
| | | 1200 | 495,000 | 3,100,000 | 240 | 170M7804 | - |
| | | 1400 | 800,000 | 5,000,000 | 250 | 170M7217 | 170M7512 |
| | | 1500 | 1,000,000 | 6,200,000 | 260 | 170M7597 | 170M7510 |
| | | 1700 | 1,400,000 | 8,700,000 | 275 | 170M7676 | 170M7511 |
| | | 1800 | 1,700,000 | 11,000,000 | 280 | 170M7532 | 170M7976 |
| | | 2000 | 2,300,000 | 14,500,000 | 305 | 170M7633 | 170M7513 |
| | | 2200 | 3,100,000 | 19,500,000 | 315 | 170M7592 | 170M7546 |
| | | 2400 | 4,000,000 | 25,000,000 | 330 | 170M7107 | 170M7516 |
| | | 2500 | 4,500,000 | 28,000,000 | 340 | 170M7595 | 170M7978 |

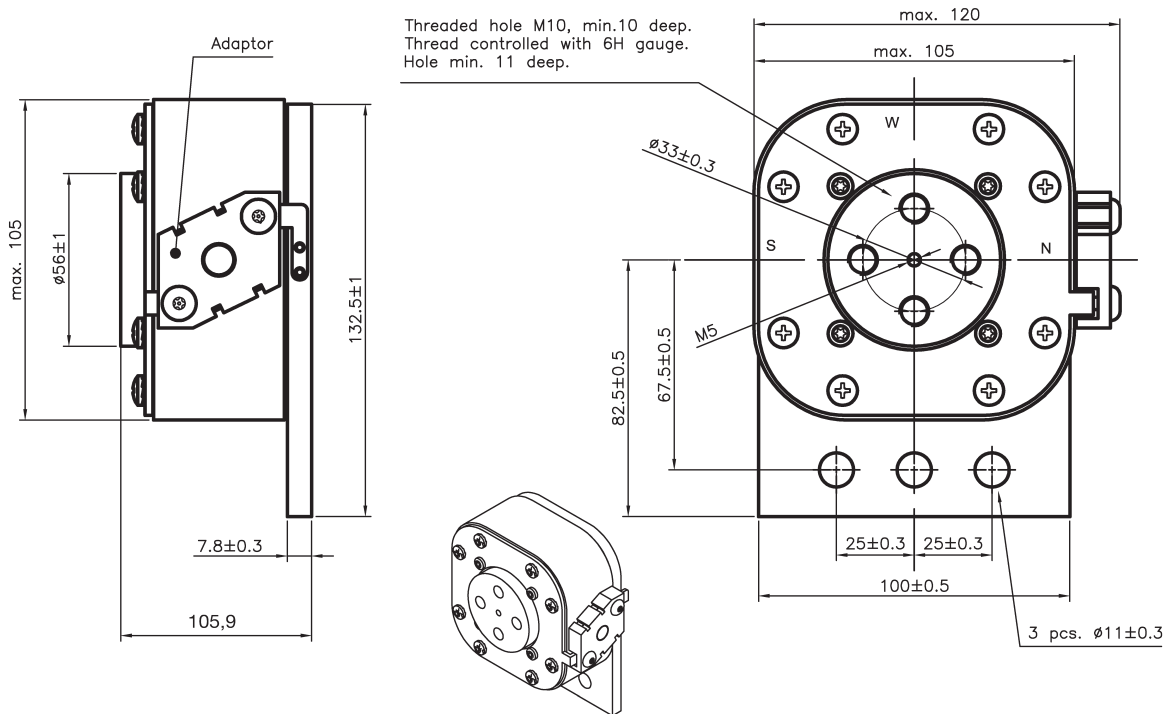
Data sheets: 170K6640 (1400-2400 A), 170K6642 (800-1200, 2500 A)

Size 4, Flush end contact, 170M
 1250 V a.c. (IEC), 800 to 2500 A

Dimensions - mm



Type 4BKN/105



Type 4SBKN/105

Data sheets: 170K6640 (1400-2400 A), 170K6642 (800-1200, 2500 A)

Size 23, Flush end contact, 170M

660 V a.c. (IEC), 1000 to 4000 A

Specifications

Description

Square body, flush end contact, high speed fuse links, for the protection of power rectifiers.

Technical data

Rated voltage:

- 660 V a.c. (IEC, 1000-3000 A)
- 600 V a.c. (IEC, 3500 A)
- 550 V a.c. (IEC, 4000 A)

Rated current: 1000-4000 A

Breaking capacity: 100 kA RMS Sym.

Operating class: aR



Standards / Agency information

CE, Designed and tested to IEC 60269 Part 4.

| Fuse link body size | Rated voltage | Rated current (Amps) | I ² t (A ² Sec) | | Watts loss (W) | Catalogue numbers | | | | | |
|---------------------|------------------|----------------------|---------------------------------------|------------------------|-------------------------|-------------------|--------------------------|--------------------------|----------|--------------------------|--------------------------|
| | | | Pre-arcing | Clearing at 660 V a.c. | | -BU/55 | -BKE/55 Type K indicator | -BKN/55 Type K indicator | -GU/55 | -GKE/55 Type K Indicator | -GKN/55 Type K Indicator |
| 23 | 660 V a.c. (IEC) | 1000 | 79,000 | 530,000 | 170 | 170M6858 | 170M6898 | 170M6878 | 170M6918 | 170M6958 | 170M6938 |
| | | 1100 | 95,000 | 635,000 | 185 | 170M6859 | 170M6899 | 170M6879 | 170M6919 | 170M6959 | 170M6939 |
| | | 1250 | 155,000 | 1,050,000 | 190 | 170M6860 | 170M6900 | 170M6880 | 170M6920 | 170M6960 | 170M6940 |
| | | 1400 | 200,000 | 1,350,000 | 210 | 170M6861 | 170M6901 | 170M6881 | 170M6921 | 170M6961 | 170M6941 |
| | | 1500 | 240,000 | 1,650,000 | 215 | 170M6862 | 170M6902 | 170M6882 | 170M6922 | 170M6962 | 170M6942 |
| | | 1600 | 315,000 | 2,150,000 | 220 | 170M6863 | 170M6903 | 170M6883 | 170M6923 | 170M6963 | 170M6943 |
| | | 1800 | 450,000 | 3,050,000 | 230 | 170M6864 | 170M6904 | 170M6884 | 170M6924 | 170M6964 | 170M6944 |
| | | 2000 | 625,000 | 4,200,000 | 240 | 170M6865 | 170M6905 | 170M6885 | 170M6925 | 170M6965 | 170M6945 |
| | | 2200 | 805,000 | 5,400,000 | 255 | 170M6866 | 170M6906 | 170M6886 | 170M6926 | 170M6966 | 170M6946 |
| | | 2500 | 1,250,000 | 8,350,000 | 265 | 170M6867 | 170M6907 | 170M6887 | 170M6927 | 170M6967 | 170M6947 |
| | | 3000 | 2,250,000 | 15,500,000 | 285 | 170M6868 | 170M6908 | 170M6888 | 170M6928 | 170M6968 | 170M6948 |
| | | 600 V a.c. (IEC) | 3500 | 3,450,000 | 21,000,000 ¹ | 315 | 170M6869 | 170M6909 | 170M6889 | 170M6929 | 170M6969 |
| 550 V a.c. (IEC) | 4000 | 5,000,000 | 27,500,000 ² | 340 | 170M6870 | 170M6910 | 170M6890 | 170M6930 | 170M6970 | 170M6950 | |

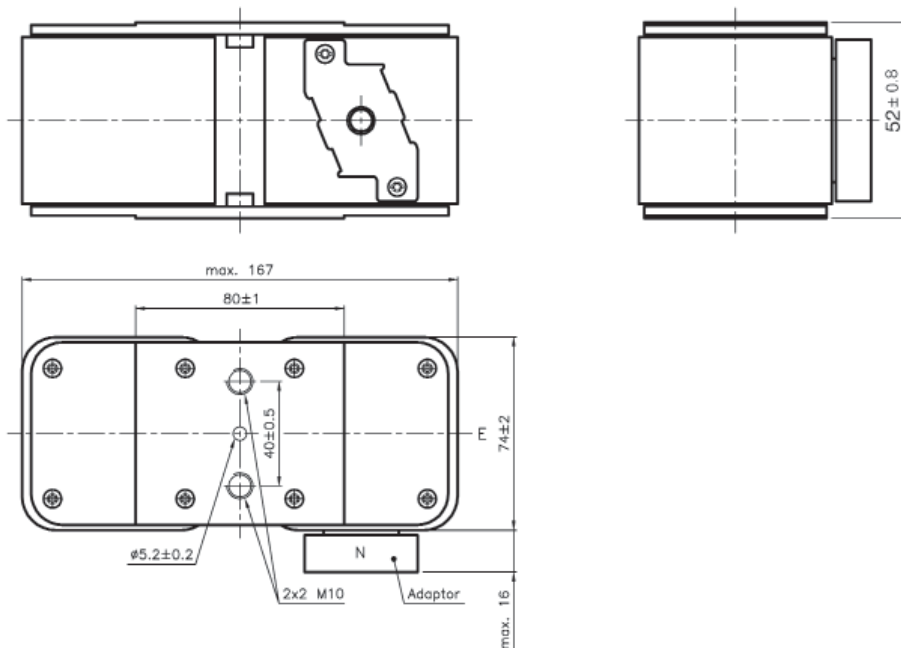
¹ Clearing at 600 V a.c.

² Clearing at 550 V a.c.

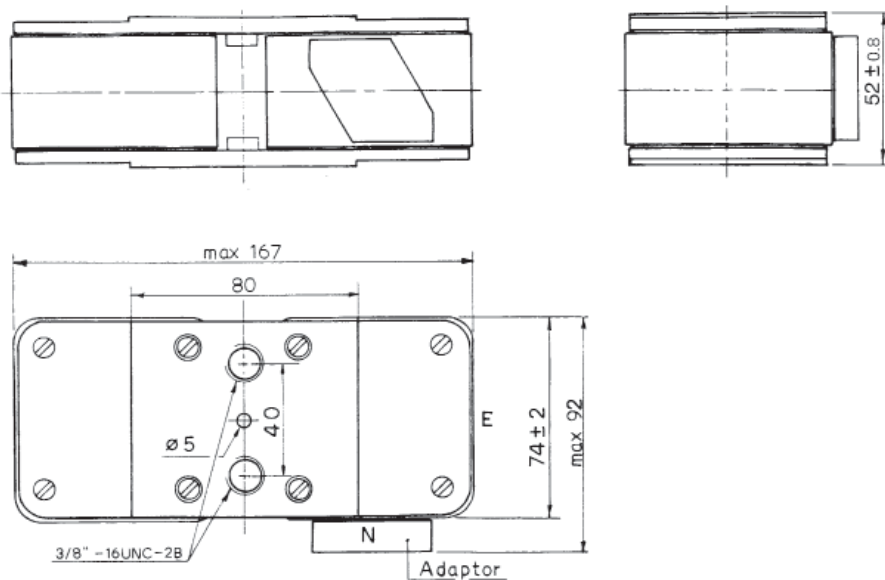
When using these fuse links, please consult Eaton's Bussmann business for application assistance at bulehighspeedtechnical@eaton.com.

Size 23, Flush end contact, 170M
 660 V a.c. (IEC), 1000 to 4000 A

Dimensions - mm



Type -BU/55, -BKE/55, -BKN/55



Type -GU/55, -GKE/55, -GKN/55

When using these fuse links, please consult Eaton's Bussmann business for application assistance at bulehighspeedtechnical@eaton.com.

Data sheet: 170K6326

Size 23, Flush end contact, 170M

1250 V a.c. (IEC), 630 to 2800 A

Specifications

Description

Square body, flush end contact, high speed fuse links, for the protection of power rectifiers.

Technical data

Rated voltage:

- 1250 V a.c. (IEC 630 to 2200 A)
- 1100 V a.c. (IEC 2500 and 2800 A)

Rated current: 630-2800 A

Breaking capacity: 125kA RMS Sym.

Operating class: aR

Standards / Agency information

CE, Designed and tested to IEC 60269 Part 4.

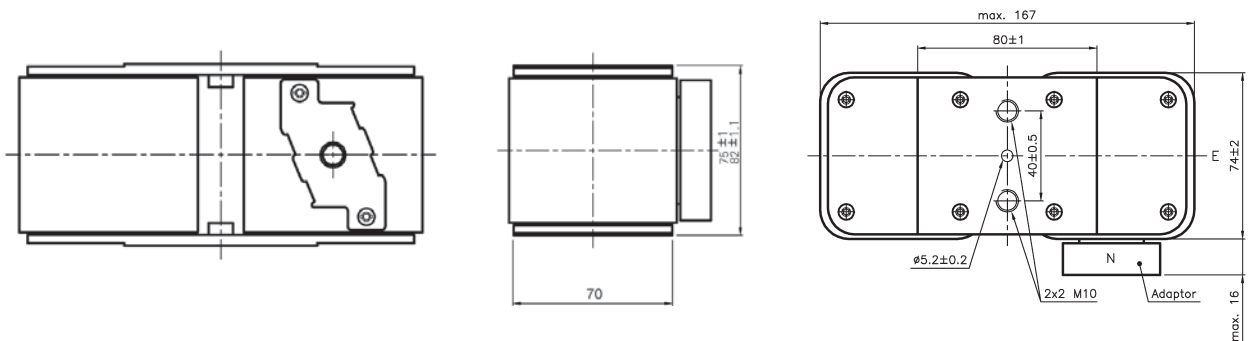


| Fuse link body size | Rated voltage | Rated current (Amps) | I ² t (A ² Sec) | | | Catalogue numbers | | | | | | |
|---------------------|-------------------|----------------------|---------------------------------------|-------------------------|-------------------------|-------------------------|--------------------------|--------------------------|-------------------------|--------------------------|--------------------------|----------|
| | | | Pre-arcing | Clearing at 1250 V a.c. | Watts loss (W) | -BU/75 Visual indicator | -BKE/75 Type K indicator | -BKN/75 Type K indicator | -BU/80 Visual indicator | -BKE/80 Type K Indicator | -BKN/80 Type K Indicator | |
| 23 | 1250 V a.c. (IEC) | 630 | 38,000 | 310,000 | 170 | 170M6775 | 170M6795 | 170M6785 | | | | |
| | | 700 | 54,000 | 440,000 | 180 | 170M6776 | 170M6796 | 170M6786 | | | | |
| | | 800 | 78,000 | 640,000 | 190 | 170M6777 | 170M6797 | 170M6787 | | | | |
| | | 900 | 120,000 | 980,000 | 200 | 170M6805 | 170M6807 | 170M6806 | | | | |
| | | 1000 | 155,000 | 1,250,000 | 210 | 170M6778 | 170M6798 | 170M6788 | | | | |
| | | 1100 | 220,000 | 1,750,000 | 220 | 170M6779 | 170M6799 | 170M6789 | | | | |
| | | 1250 | 330,000 | 2,700,000 | 230 | 170M6780 | 170M6800 | 170M6790 | | | | |
| | | 1400 | 460,000 | 3,800,000 | 240 | 170M6781 | 170M6801 | 170M6791 | | | | |
| | | 1600 | 820,000 | 5,200,000 | 250 | 170M6782 | 170M6802 | 170M6792 | | | | |
| | | 1800 | 1,200,000 | 7,600,000 | 260 | 170M6783 | 170M6803 | 170M6793 | | | | |
| | | 2000 | 1,800,000 | 11,000,000 | 270 | | | | 170M6784 | 170M6804 | 170M6794 | |
| | | 2200 | 2,300,000 | 14,500,000 | 280 | | | | 170M6815 | 170M6833 | 170M6827 | |
| | | 1100 V a.c. (IEC) | 2500 | 3,200,000 | 16,000,000 ¹ | 290 | | | | 170M6816 | 170M6834 | 170M6828 |
| | | | 2800 | 5,000,000 | 24,000,000 ¹ | 300 | | | | 170M6817 | 170M6835 | 170M6829 |

¹ Clearing at 1000 V

When using these fuse links, please consult Eaton's Bussmann business for application assistance at bulehighspeedtechnical@eaton.com.

Dimensions - mm



Data sheet: 170K6638

Size 24, Flush end contact, 170M

690 V a.c. (IEC), 2000 to 7500 A

Specifications

Description

Square body, flush end contact, high speed fuse links, for the protection of power rectifiers.

Technical data

Rated voltage:

- 690 V a.c. (IEC 2000 to 7000 A)
- 500 V a.c. (IEC 7500 A)

Rated current: 2000-7500 A

Breaking capacity: 200 kA RMS Sym.

Operating class: aR

Standards / Agency information

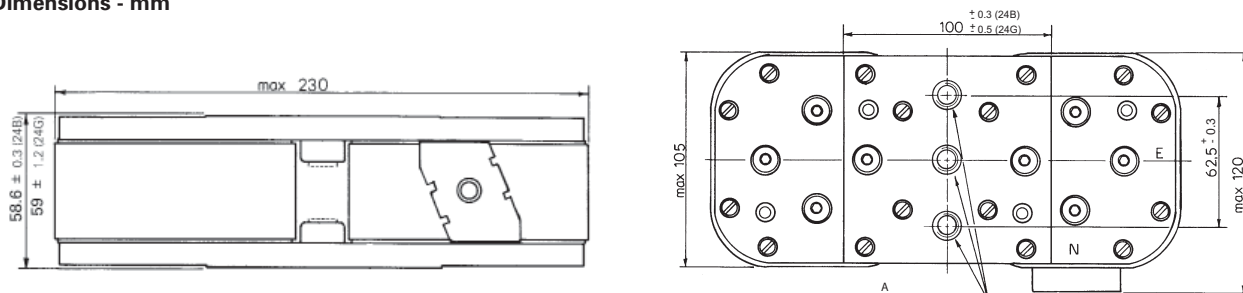
CE, Designed and tested to IEC 60269 Part 4.



| Fuse link body size | Rated voltage | Rated current (Amps) | I ² t (A ² Sec) | | Watts loss (W) | Catalogue numbers | | | | |
|---------------------|------------------|----------------------|---------------------------------------|------------------------|-------------------------|--------------------------|--------------------------|--------------------------|--------------------------|----------|
| | | | Pre-arcing | Clearing at 660 V a.c. | | -BU/60 Without indicator | -BKN/60 Type K indicator | -GU/60 Without indicator | -GKN/60 Type K indicator | |
| 24 | 690 V a.c. (IEC) | 2000 | 340,000 | 2,300,000 | 340 | 170M7138 | 170M7158 | 170M7198 | 170M7218 | |
| | | 2500 | 650,000 | 4,350,000 | 390 | 170M7139 | 170M7159 | 170M7199 | 170M7219 | |
| | | 3000 | 1,100,000 | 7,300,000 | 430 | 170M7140 | 170M7160 | 170M7200 | 170M7220 | |
| | | 3500 | 1,800,000 | 12,000,000 | 460 | 170M7141 | 170M7161 | 170M7201 | 170M7221 | |
| | | 4000 | 2,700,000 | 18,000,000 | 490 | 170M7142 | 170M7162 | 170M7202 | 170M7222 | |
| | | 4500 | 3,800,000 | 25,500,000 | 520 | 170M7143 | 170M7163 | 170M7203 | 170M7223 | |
| | | 5000 | 5,450,000 | 36,500,000 | 540 | 170M7144 | 170M7164 | 170M7204 | 170M7224 | |
| | | 5500 | 7,400,000 | 49,500,000 | 560 | 170M7145 | 170M7165 | 170M7205 | 170M7225 | |
| | | 6000 | 9,600,000 | 64,000,000 | 580 | 170M7146 | 170M7166 | 170M7206 | 170M7226 | |
| | | 6500 | 12,500,000 | 83,000,000 | 600 | 170M7147 | 170M7167 | 170M7207 | 170M7227 | |
| | | 7000 | 15,000,000 | 100,000,000 | 630 | 170M7148 | 170M7168 | 170M7208 | 170M7228 | |
| | | 500 V a.c. (IEC) | 7500 | 18,500,000 | 93,000,000 ¹ | 660 | 170M7149 | 170M7169 | 170M7209 | 170M7229 |

¹ Clearing at 500 V a.c.

Dimensions - mm



| Size | Type | A |
|------|------|------------------|
| 24 | BKN | 2x3 M12 |
| 24 | GKN | 2x3½" -13 UNC-2B |

When using these fuse links, please consult Eaton's Bussmann business for application assistance at bulehighspeedtechnical@eaton.com.

Data sheet: 170K6332

Size 24, Flush end contact, 170M

1000 V a.c. (IEC), 2000 to 5000 A

Specifications

Description

Square body, flush end contact, high speed fuse links, for the protection of power rectifiers.

Technical data

Rated voltage: 1000 V a.c. (IEC)
 Rated current: 2000-5000 A
 Breaking capacity: 300 kA RMS Sym.
 Operating class: aR

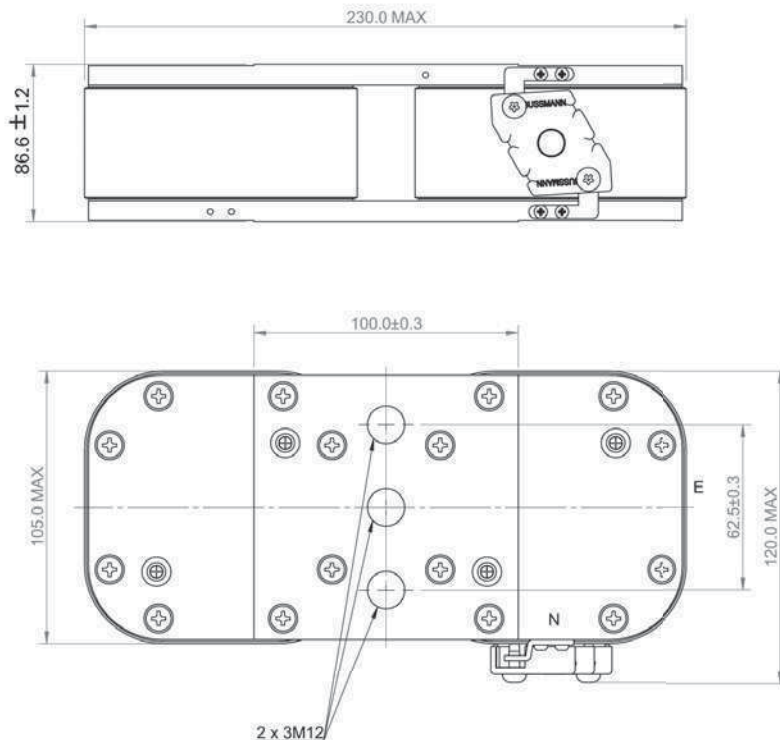


Standards / Agency information

CE, Designed and tested to IEC 60269 Part 4.

| Fuse link body size | Rated voltage | Rated current (Amps) | I ² t (A ² Sec) | | Watts loss (W) | Catalogue numbers |
|---------------------|-------------------|----------------------|---------------------------------------|-------------------------|----------------|--------------------------|
| | | | Pre-arcing | Clearing at 1000 V a.c. | | -BKN/85 Type K indicator |
| 24 | 1000 V a.c. (IEC) | 2000 | 900,000 | 5,350,000 | 345 | 170M7608 |
| | | 3000 | 2,950,000 | 17,500,000 | 430 | 170M7680 |
| | | 3200 | 3,300,000 | 20,000,000 | 440 | 170M7567 |
| | | 3500 | 4,500,000 | 27,000,000 | 450 | 170M7568 |
| | | 4000 | 6,800,000 | 40,000,000 | 475 | 170M7569 |
| | | 4200 | 8,000,000 | 47,500,000 | 485 | 170M7498 |
| | | 4500 | 10,000,000 | 59,000,000 | 495 | 170M7488 |
| | | 5000 | 14,000,000 | 82,500,000 | 540 | 170M7622 |

Dimensions - mm



The normal position of the indicator is as shown position N, position E on request only

When using these fuse links, please consult Eaton's Bussmann business for application assistance at bulehighspeedtechnical@eaton.com.

Data sheets: 170K8514

Size 5, Flush end contact, 170M

1100-2000 V a.c. (IEC), 1800 to 5500 A

Specifications

Description

Square body flush end contact high speed fuse links, for the protection or isolation for components such as diodes, silicon controlled rectifiers (SCRs), Gate Turn-Off Thyristors (GTOs) and IGBTs. Typical application include AC and DC drives, high power rectifiers.

Technical data

Rated voltage: 1100-2000 V a.c. (IEC)
Rated current: 1800-5500 A
Breaking capacity: 300 kA RMS Sym. estimated: 197 kA tested.
Operating class: aR

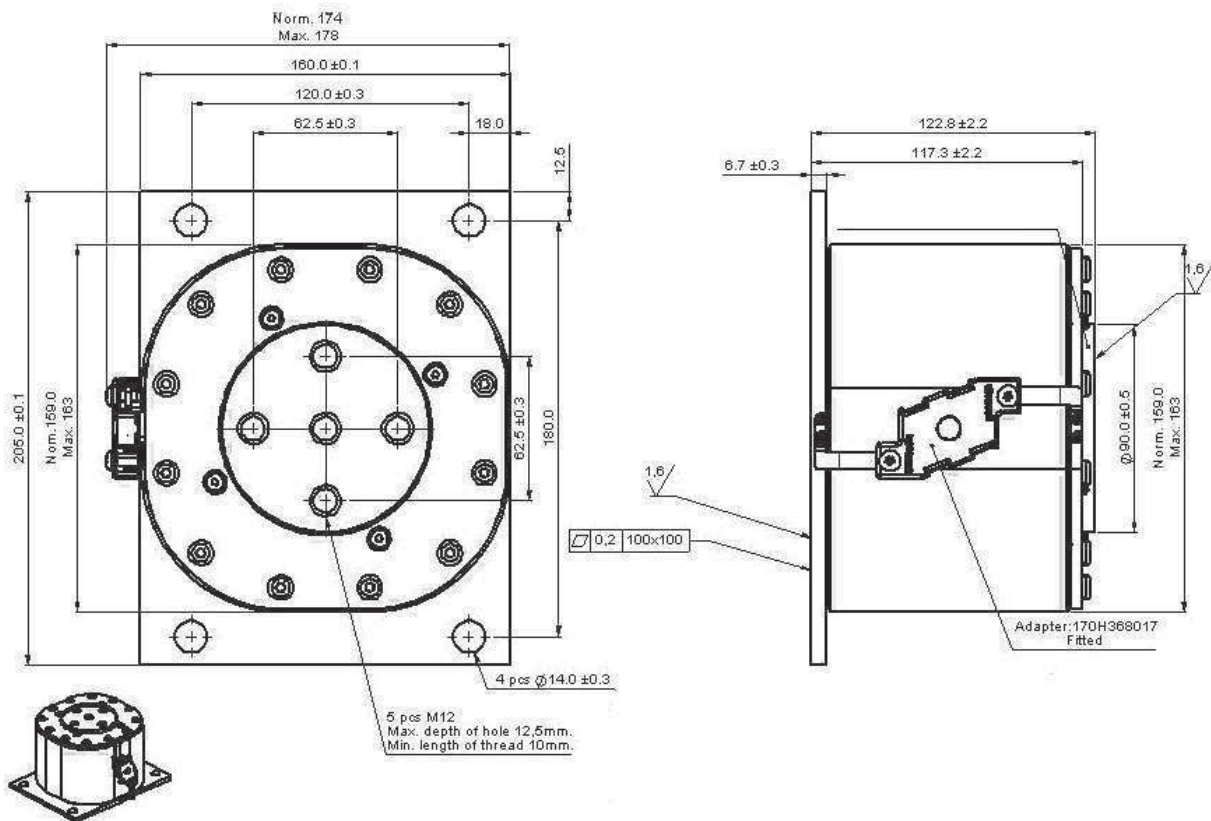
Standards / Agency information

Consult Eaton's Bussmann business bulehighspeedtechnical@eaton.com.

Catalogue Numbers

Consult Eaton's Bussmann business bulehighspeedtechnical@eaton.com.

Dimensions - mm



This dimension drawing is an example of the range of size 5 fuse links available.

Drive fuse links

DFJ

600 V a.c./450 V d.c. (UL), 1 to 600 A

Specifications

Description

Bolted tags high speed fuse links that provide maximum protection for AC and DC drives and controllers. The DFJ fuse link has the lowest I₂t of any branch circuit fuse to protect power semi-conductor devices that utilise diodes, GTOs, SCRs and SSRs. The DFJ fuse links combine the performance of high speed fuse links and the convenience of Class J branch circuit fuse links, allowing the use of readily available Class J fuse blocks, holders and switches.

Technical data

Rated voltage: 600 V a.c./450 V d.c. (UL)
 Rated current: 1-600 A
 Breaking capacity: 200 kA RMS Sym., 100 kA DC
 Operating class: aR

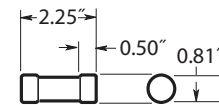
Standards / Agency information

UL Listed, Std 248-8, Class J, Guide JDDZ, File E4273 CSA Certified, C22-2 No 248.8, Class 1422-02, File 53787 meets NEC branch circuit protection.

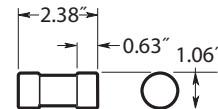


| Rated voltage | Rated current (Amps) | Catalogue numbers |
|-----------------------------------|----------------------|-------------------|
| | 1 | DFJ-1 |
| | 2 | DFJ-2 |
| | 3 | DFJ-3 |
| | 4 | DFJ-4 |
| | 5 | DFJ-5 |
| | 6 | DFJ-6 |
| | 8 | DFJ-8 |
| | 10 | DFJ-10 |
| | 12 | DFJ-12 |
| | 15 | DFJ-15 |
| | 20 | DFJ-20 |
| | 25 | DFJ-25 |
| | 30 | DFJ-30 |
| | 40 | DFJ-40 |
| | 45 | DFJ-45 |
| | 50 | DFJ-50 |
| 600 V a.c./ 450 V d.c. (UL) | 60 | DFJ-60 |
| | 70 | DFJ-70 |
| | 80 | DFJ-80 |
| | 90 | DFJ-90 |
| | 100 | DFJ-100 |
| | 110 | DFJ-110 |
| | 125 | DFJ-125 |
| | 150 | DFJ-150 |
| | 175 | DFJ-175 |
| | 100 | DFJ-100 |
| | 225 | DFJ-225 |
| | 250 | DFJ-250 |
| | 300 | DFJ-300 |
| | 350 | DFJ-350 |
| | 400 | DFJ-400 |
| | 450 | DFJ-450 |
| | 500 | DFJ-500 |
| | 600 | DFJ-600 |

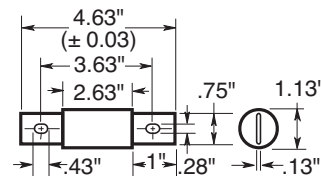
Dimensions - in



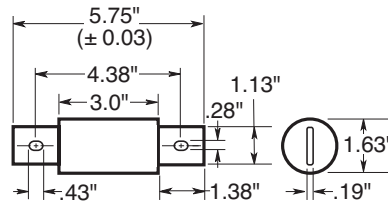
1 to 30 A



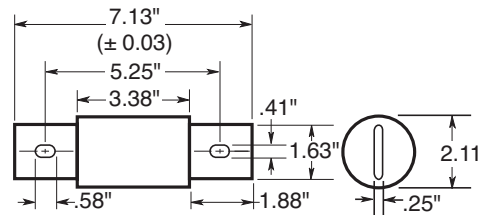
35 to 60 A



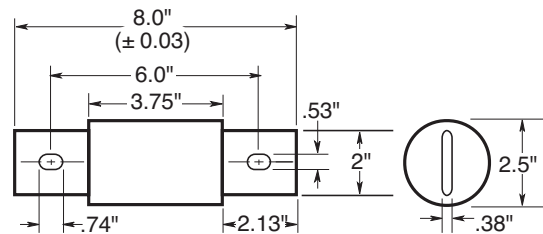
70 to 100 A



110 to 200 A



225 to 400 A



450 to 600 A

IGBT fuse links

Size 000 and 230, 170M

750 V d.c. (IEC), 800 V d.c. (UL), 25 to 630 A

Specifications

Description

Bolted tags high speed fuse links for the protection of IGBT modules, optimised for use in IGBT inverter circuits with DC link rated voltages up to 750 V d.c.. Low inductance $\leq 15\text{nH}$.

Technical data

Rated voltage:

- 750 V d.c. tested at 863V d.c. according to IEC 60269-4
- 800 V d.c. tested at 800 V d.c. according to UL 248-1

Rated current: 25-630 A

Breaking capacity: 50 kA DC (1ms tc) at 800 V d.c.

Operating class: aR

Standards / Agency information

UL DC Recognised, 800 V d.c. L/R 1 mS max.



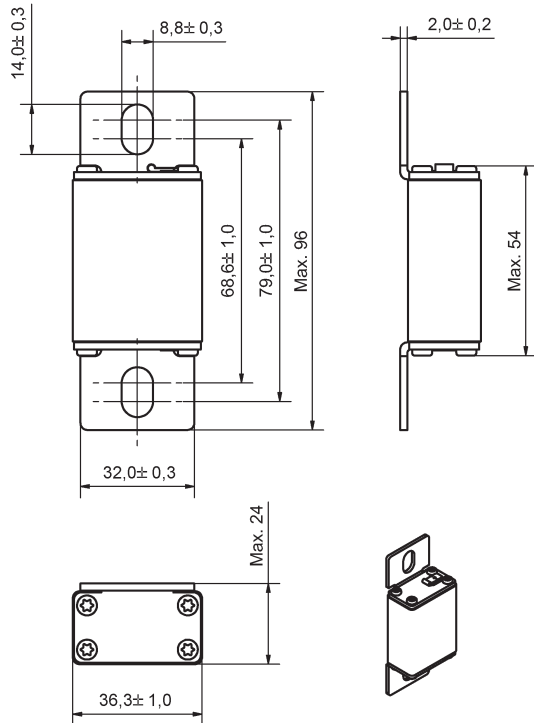
| Fuse link body size | Rated voltage | Rated current (Amps) | I ² t (A ² Sec) | | Watts loss (W) | Catalogue numbers | |
|---------------------|-------------------------------------|----------------------|---------------------------------------|------------------------|----------------|-------------------|----------|
| | | | Pre-arcing | Clearing at 690 V a.c. | | -FU/70 | -FN/70 |
| 000 | 750 V d.c. (IEC) 800 V d.c. (UL) | 25 | 25 | 135 | 12 | 170M1750 | 170M1730 |
| | | 32 | 45 | 240 | 13 | 170M1751 | 170M1731 |
| | | 40 | 75 | 395 | 14 | 170M1752 | 170M1732 |
| | | 50 | 135 | 695 | 16 | 170M1753 | 170M1733 |
| | | 63 | 260 | 1350 | 17 | 170M1754 | 170M1734 |
| | | 80 | 460 | 2350 | 20 | 170M1755 | 170M1735 |
| | | 100 | 795 | 4000 | 25 | 170M1756 | 170M1736 |
| | | 125 | 1300 | 6800 | 29 | 170M1757 | 170M1737 |
| | | 160 | 2550 | 13500 | 34 | 170M1758 | 170M1738 |
| | | 200 | 4350 | 22000 | 40 | 170M1759 | 170M1739 |
| | | 250 | 7400 | 37500 | 48 | 170M1760 | 170M1740 |
| | | 315 | 12,500 | 65000 | 60 | 170M1761 | 170M1741 |
| | | 350 | 17,000 | 88000 | 65 | 170M1762 | 170M1742 |
| | | 230 | 750 V d.c. (IEC) 800 V d.c. (UL) | 100 | 380 | 1950 | 35 |
| 125 | 645 | | | 3300 | 42 | 170M1771 | 170M1786 |
| 160 | 1350 | | | 7000 | 47 | 170M1772 | 170M1787 |
| 200 | 2550 | | | 13500 | 54 | 170M1773 | 170M1788 |
| 250 | 4950 | | | 25000 | 62 | 170M1774 | 170M1789 |
| 315 | 9350 | | | 47500 | 72 | 170M1775 | 170M1790 |
| 350 | 12,000 | | | 61000 | 78 | 170M1776 | 170M1791 |
| 400 | 18,500 | | | 94500 | 80 | 170M1777 | 170M1792 |
| 450 | 27,000 | | | 140000 | 85 | 170M1778 | 170M1793 |
| 500 | 37,500 | | | 190000 | 90 | 170M1779 | 170M1794 |
| 550 | 48,500 | | | 245000 | 95 | 170M1780 | 170M1795 |
| 630 | 69,500 | | | 355000 | 105 | 170M1781 | 170M1796 |

Data sheets: 170K6422 (Size 000), 170K6426 (Size 230)

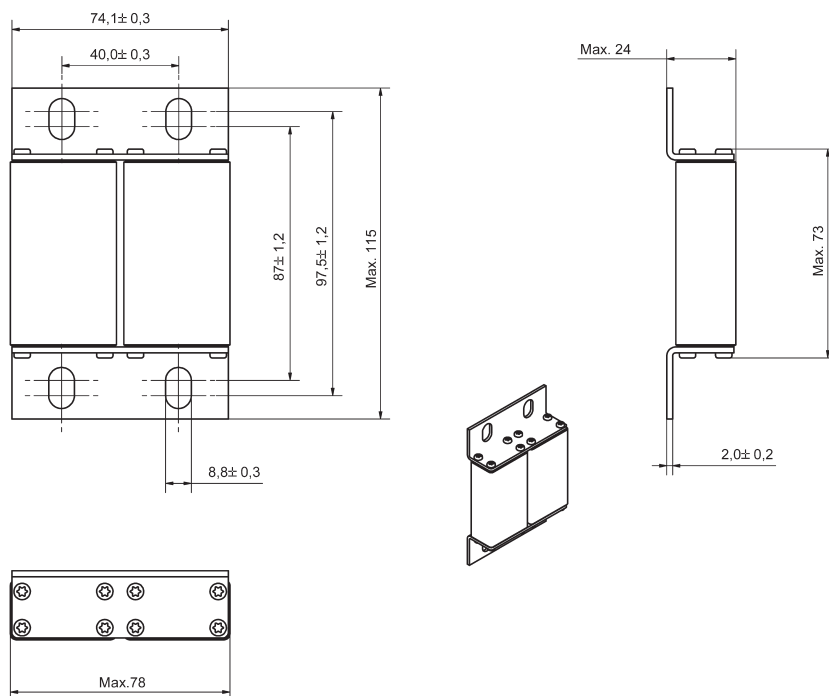
Size 000 and 230, 170M

750 V d.c. (IEC), 800 V d.c. (UL), 25 to 630 A

Dimensions - mm



Size 000



Size 230

Data sheets: 170K6422 (Size 000), 170K6426 (Size 230)

Size 000 and 230, 170M

1000 V d.c. (IEC and UL), 25 to 500 A

Specifications

Description

High speed bolted tags high speed fuse links for the protection of IGBT modules, optimised for use in IGBT inverter circuits with DC link rated voltages up to 1000 V d.c.. Low inductance $\leq 20\text{nH}$.

Technical data

Rated voltage:

- 1000 V d.c. tested at 1150 V d.c. according to IEC 60269-4
- 1000 V d.c. tested at 1000 V d.c. according to UL 248-1

Rated current: 25-500 A

Breaking capacity: 50 kA DC (1ms tc)

Operating class: aR

Standards / Agency information

UL DC Recognised, 1000 V d.c. L/R 1mS max.

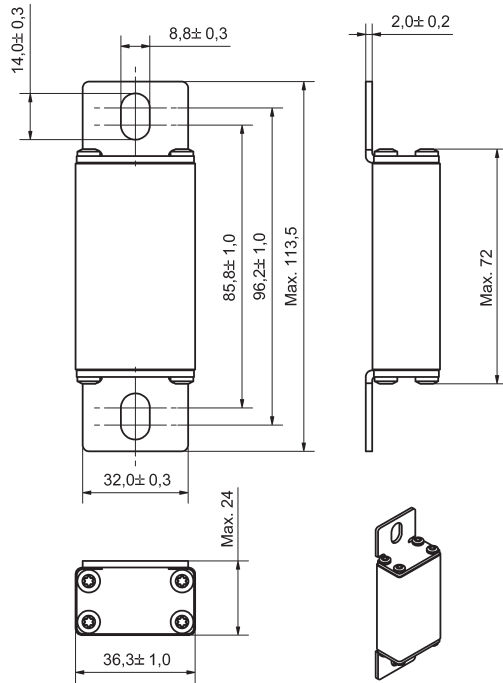


| Fuse link body size | Rated voltage | Rated current (Amps) | I ² t (A ² Sec) | | Watts loss (W) | Catalogue numbers | |
|---------------------|----------------------|----------------------|---------------------------------------|-------------------------|----------------|-------------------|----------|
| | | | Pre-arcing | Clearing at 1000 V a.c. | | -FU/90 | -FN/90 |
| 000 | 1000 V d.c. (IEC/UL) | 25 | 19 | 95 | 14 | 170M1802 | 170M1842 |
| | | 32 | 34 | 170 | 17 | 170M1803 | 170M1843 |
| | | 40 | 61 | 300 | 20 | 170M1804 | 170M1844 |
| | | 50 | 135 | 675 | 21 | 170M1805 | 170M1845 |
| | | 63 | 245 | 1200 | 22 | 170M1806 | 170M1846 |
| | | 80 | 505 | 2500 | 27 | 170M1807 | 170M1847 |
| | | 100 | 1050 | 5150 | 32 | 170M1808 | 170M1848 |
| | | 125 | 1900 | 9500 | 34 | 170M1809 | 170M1849 |
| | | 160 | 4050 | 20,000 | 37 | 170M1810 | 170M1850 |
| | | 200 | 8500 | 42,000 | 43 | 170M1811 | 170M1851 |
| | | 225 | 12,000 | 59,000 | 45 | 170M1812 | 170M1852 |
| | | 250 | 16,000 | 79,500 | 48 | 170M1813 | 170M1853 |
| | | 230 | 1000 V d.c. (IEC/UL) | 100 | 600 | 3050 | 38 |
| 125 | 1200 | | | 6050 | 42 | 170M1825 | 170M1861 |
| 160 | 2550 | | | 13,000 | 48 | 170M1826 | 170M1862 |
| 200 | 4650 | | | 23,000 | 55 | 170M1827 | 170M1863 |
| 250 | 9300 | | | 45,500 | 62 | 170M1828 | 170M1864 |
| 315 | 18,500 | | | 91,500 | 68 | 170M1829 | 170M1865 |
| 350 | 24,500 | | | 125,000 | 75 | 170M1830 | 170M1866 |
| 400 | 37,500 | | | 185,000 | 80 | 170M1831 | 170M1867 |
| 450 | 52,000 | | | 260,000 | 85 | 170M1832 | 170M1868 |
| 500 | 69,500 | | | 340,000 | 90 | 170M1833 | 170M1869 |

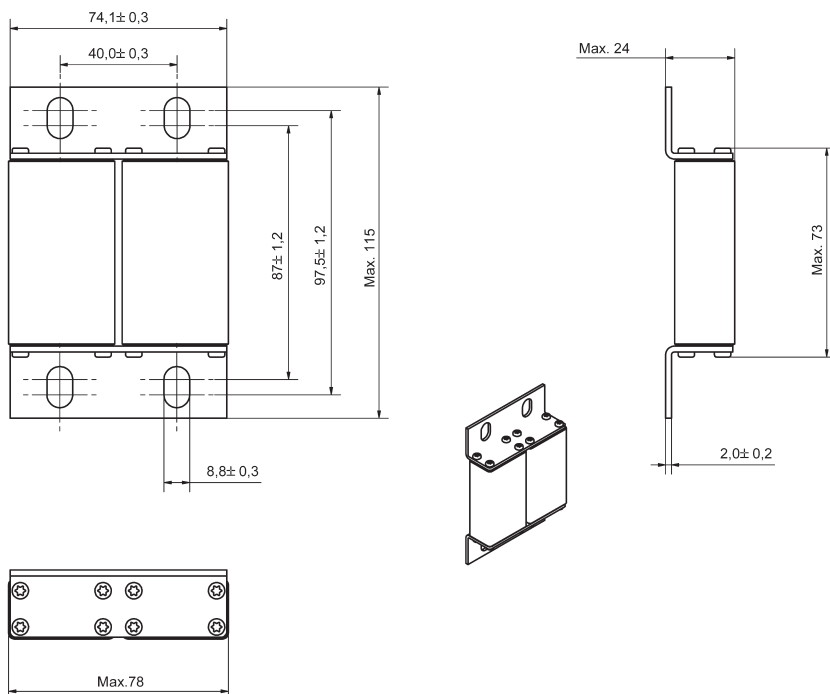
Data sheets: 170K6680 (Size 000), 170K6682 (Size 230)

Size 000 and 230, 170M
 1000 V d.c. (IEC and UL), 25 to 500 A

Dimensions - mm



Size 000



Size 230

Data sheets: 170K6680 (Size 000), 170K6682 (Size 230)

Traction fuse links

Size 1*, 3 and 23, Square body fuse links, 170M

750 V d.c. (IEC), 50 to 1600 A

Specifications

Description

Traction flush end square body high speed fuse links for superior protection of DC third rail applications up to 750 V d.c..

Technical data

Rated voltage: 750 V d.c. (IEC)

Rated current: 50-1600 A

Breaking capacity:

- Size 1*: 85 kA at 750 V d.c., L/R 95ms
80 kA at 950 V d.c., L/R 40ms
- Size 3 and 23: 110 kA at 750 V d.c., L/R 40ms

Operating class:

- aR size 1*
- gR size 3 and 23

Standards / Agency information

IEC 60269

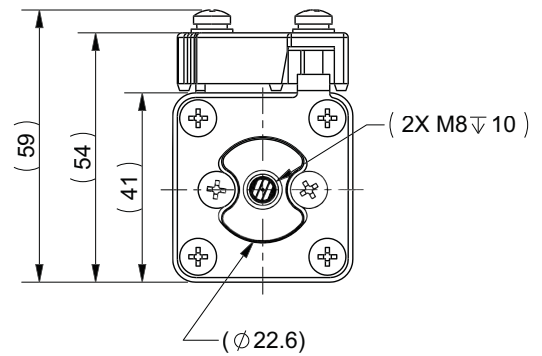
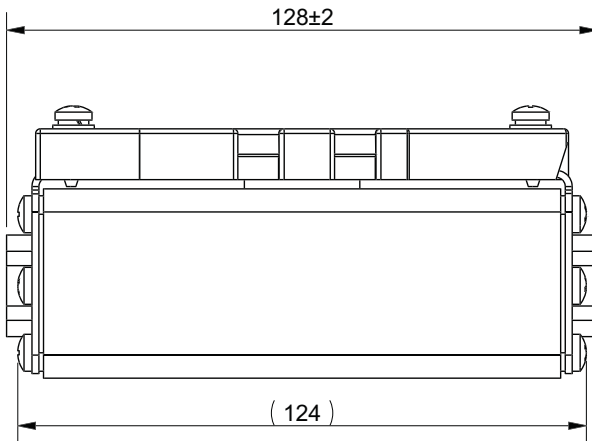


| Fuse link type | Fuse link body size | Rated voltage | Rated current (Amps) | I ² t (A ² Sec) | | Watts loss (W) | | Catalogue numbers |
|----------------|---------------------|------------------|----------------------|---------------------------------------|------------------------|--------------------|----------------|-------------------|
| | | | | Pre-arcing | Clearing at 750 V d.c. | 0.8 I _n | I _n | |
| Flush end | 1* | 750 V d.c. (IEC) | 50 | 390 | 1300 | 15 | 27 | 170M2000 |
| | | | 63 | 610 | 2050 | 18 | 35 | 170M2001 |
| | | | 80 | 670 | 2250 | 19 | 37 | 170M2002 |
| | | | 100 | 2450 | 8150 | 21 | 40 | 170M2003 |
| | | | 125 | 2950 | 9800 | 24 | 47 | 170M2004 |
| | | | 160 | 5500 | 18,250 | 29 | 56 | 170M2005 |
| Flush end | 3 | 750 V d.c. (IEC) | 450 | 65,700 | 272,300 | 46 | 87 | 170M2010 |
| | | | 500 | 83,200 | 344,800 | 52 | 98 | 170M2011 |
| | | | 550 | 136,700 | 566,500 | 67 | 126 | 170M2012 |
| | | | 630 | 173,500 | 719,000 | 75 | 142 | 170M2013 |
| | | | 700 | 268,000 | 1,110,500 | 78 | 156 | 170M2014 |
| | | | 750 | 307,600 | 1,275,000 | 83 | 167 | 170M2015 |
| Parallel | 23 | 750 V d.c. (IEC) | 800 | 349,900 | 1,450,000 | 89 | 178 | 170M2016 |
| | | | 1000 | 476,300 | 1,973,700 | 112 | 187 | 170M2017 |
| | | | 1250 | 694,000 | 2,875,800 | 134 | 224 | 170M2018 |
| | | | 1400 | 1,071,600 | 4,440,500 | 152 | 254 | 170M2019 |
| | | | 1500 | 1,230,200 | 5,097,700 | 165 | 275 | 170M2020 |
| | | | 1600 | 1,399,700 | 5,800,100 | 180 | 300 | 170M2021 |

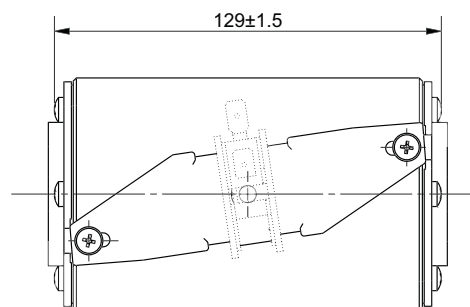
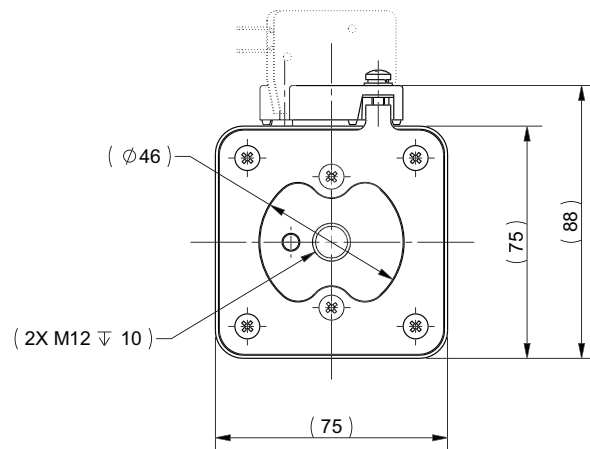
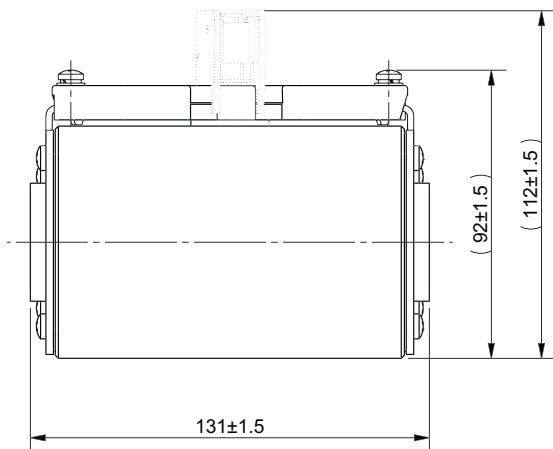
Data sheet: 720140

Size 1*, 3 and 23, Square body fuse links, 170M
750 V d.c. (IEC), 50 to 1600 A

Dimensions - mm



170M2000 to 170M2005 - Flush End - Size 1*

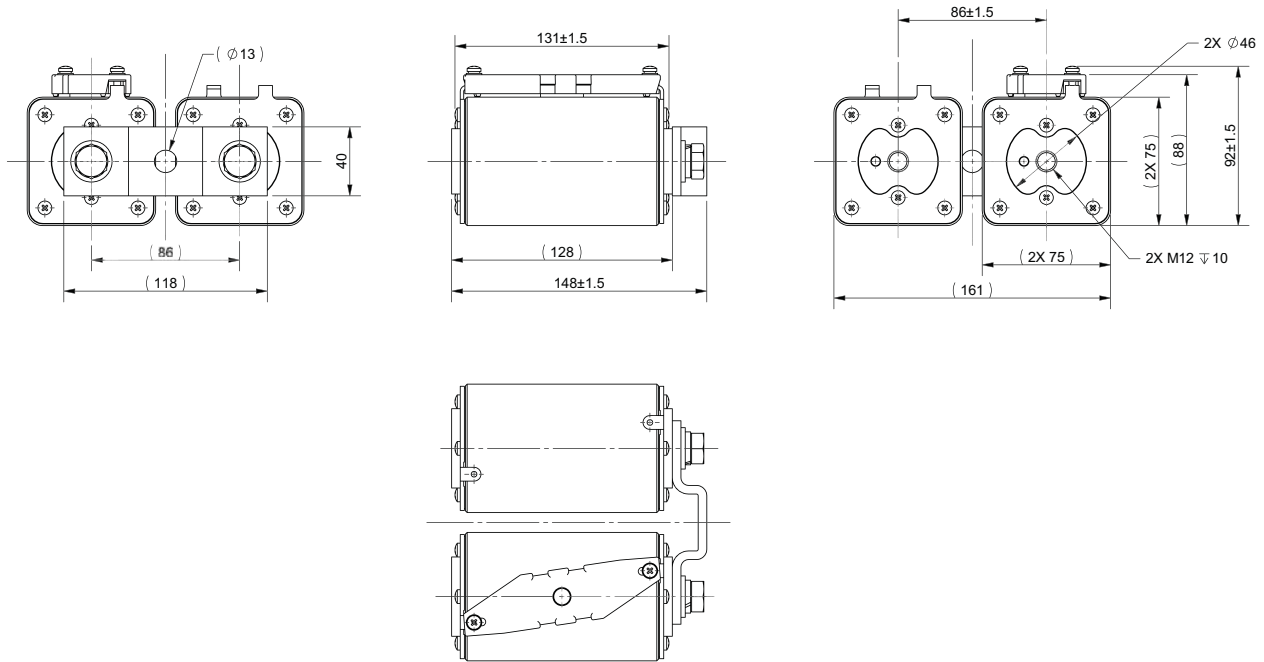


170M2010 to 170M2016 - Flush End - Size 3

Data sheet: 720140

Size 1*, 3 and 23, Square body fuse links, 170M
 750 V d.c. (IEC), 50 to 1600 A

Dimensions - mm



170M2017 to 170M2021 - Parallel - Size 23

Size 1*, 1, 2 and 3, Square body fuse links, 170E

750 V d.c. (IEC), 63 to 500 A

Specifications

Description

Traction flush end square body high speed fuse links for superior protection of DC third rail applications up to 750 V d.c..

Technical data

Rated voltage: 750 V d.c. (IEC)

Rated current: 63-500 A

Breaking capacity:

- 100 kA at 1000 V d.c., L/R 40ms
- 100 kA at 750 V d.c., L/R 100ms

Operating class: gR

Standards / Agency information

Consult Eaton's Bussmann business bulehighspeedtechnical@eaton.com



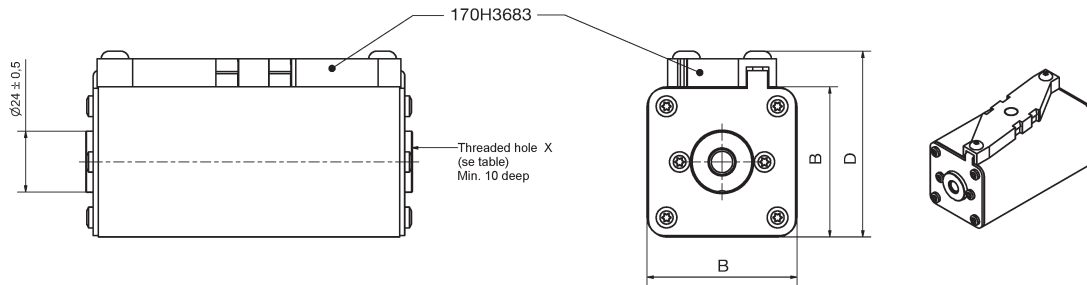
| Fuse link body size | Rated voltage | Rated current (Amps) | I ² t (A ² s) | | Catalogue numbers | | Fuse link type | Catalogue numbers | |
|---------------------|------------------|----------------------|-------------------------------------|----------------|-------------------|----------------|----------------|-------------------|----------------|
| | | | Pre-arcing | Watts loss (W) | -BK flush end | Fuse link type | | -EK knife blade | Fuse link type |
| 1* | 750 V d.c. (IEC) | 63 | 1100 | 10 | 170E3577 | | 170E3583 | | |
| | | 80 | 1750 | 13 | 170E3578 | | 170E3584 | | |
| | | 100 | 3000 | 16 | 170E3579 | | 170E3585 | EK/155 | |
| | | 125 | 4500 | 21 | 170E3580 | | 170E3586 | | |
| | | 160 | 7700 | 26 | 170E3581 | | 170E3587 | | |
| 1 | 750 V d.c. (IEC) | 200 | 11,000 | 37 | 170E5417 | BK/130 | 170E5420 | | |
| | | 250 | 18,000 | 46 | 170E5418 | | 170E5421 | EK/165 | |
| 2 | 750 V d.c. (IEC) | 250 | 17,000 | 47 | 170E8335 | | 170E8345 | | |
| | | 315 | 28,000 | 57 | 170E8336 | | 170E8346 | EK/170 | |
| 3 | 750 V d.c. (IEC) | 400 | 55,000 | 73 | 170E8337 | | 170E8347 | | |
| | | 500 | 75,500 | 93 | 170E9681 | | 170E9685 | EK/170 | |

Data sheets: Size 1* 170K3620, Size 1 170k3622, Size 2 170K3624, Size 3 170K3626-A

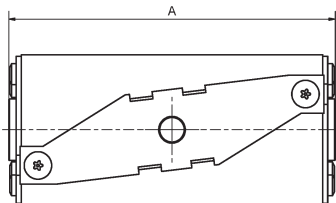
Size 1*, 1, 2 and 3, Square body fuse links, 170E

750 V d.c. (IEC), 63 to 500 A

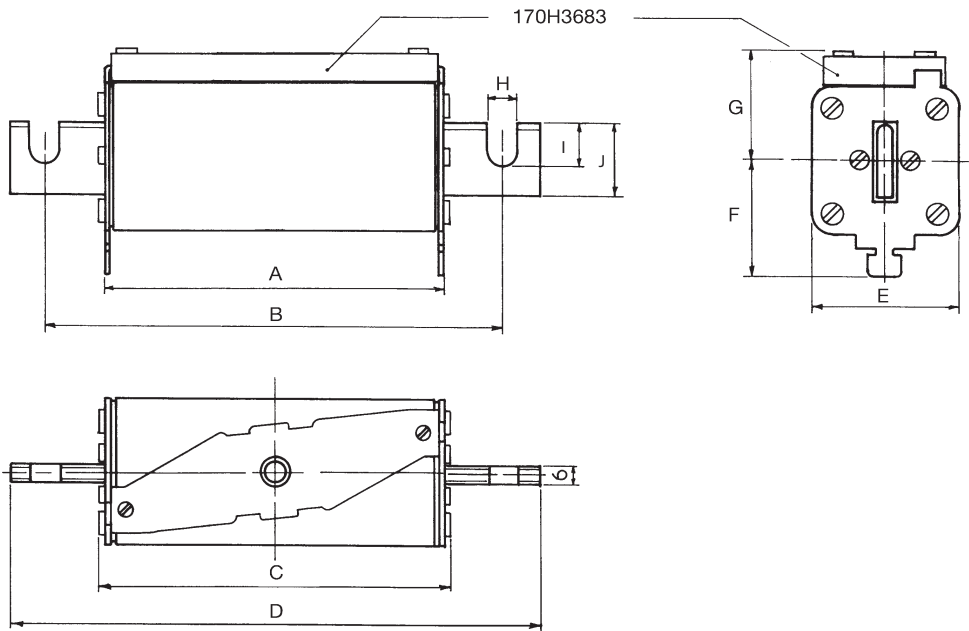
Dimensions - mm



| Size | A | B | D | X |
|----------|-----|----|----|-----|
| 1*BK/130 | 129 | 43 | 61 | M8 |
| 1 BK/130 | 130 | 51 | 69 | M8 |
| 2 BK/130 | 130 | 59 | 77 | M10 |
| 3 BK/130 | 131 | 74 | 90 | M12 |



Type -BK/130



Type -EK/-

| Size | A | B | C | D | E | F | G | H | I | J |
|----------|-----|-----|-----|-----|----|----|----|----|----|----|
| 1*EK/155 | 124 | 156 | 129 | 180 | 43 | 36 | 41 | 9 | 9 | 18 |
| 1 EK/165 | 124 | 166 | 129 | 191 | 51 | 37 | 41 | 11 | 14 | 25 |
| 2 EK/170 | 124 | 170 | 129 | 205 | 59 | 42 | 48 | 13 | 21 | 30 |
| 3 EK/170 | 125 | 170 | 130 | 206 | 74 | 51 | 56 | 13 | 20 | 36 |

Data sheets: Size 1* 170K3620, Size 1 170k3622, Size 2 170K3624, Size 3 170K3626-A

Size 4, Square body fuse links, 170M7217

1250 V a.c. / 850 V d.c. (IEC), 1400 A

Specifications

Description

Traction flush end square body high speed fuse link suitable for use in third rail collector systems to protect high speed DC breakers in low time constant, high fault conditions. Suitable for 1250 V a.c./850 V d.c. systems.

Technical data

Rated voltage: 1250 V a.c. / 850 V d.c. (IEC)

Rated current: 1400 A

Tested breaking capacity:

- 100 kA at 1250 V a.c.
- 80 kA at 850 V d.c., L/R 8ms

Operating class: aR

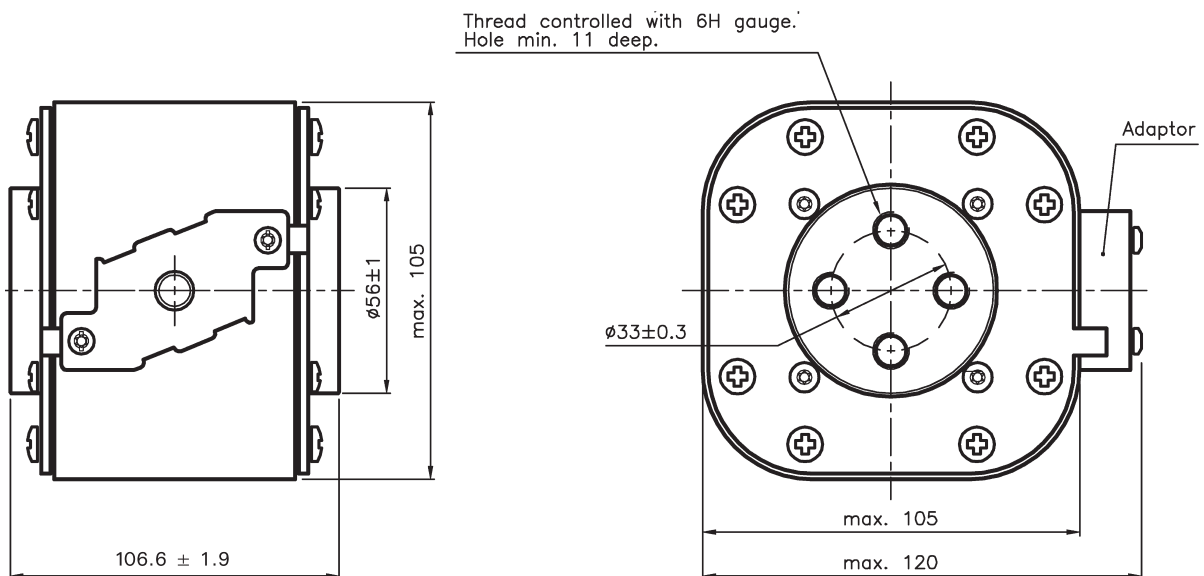
Standards / Agency information

Consult Eaton's Bussmann business bulehighspeedtechnical@eaton.com



| Fuse link body size | Rated voltage | Rated current (Amps) | I ² t (A ² Sec) | | Watts loss (W) | Catalogue numbers |
|---------------------|-------------------------------------|----------------------|---------------------------------------|-------------------------|----------------|-------------------|
| | | | Pre-arcing | Clearing at 1250 V a.c. | | |
| 4 | 850 V d.c./ 1250 V a.c. (IEC) | 1400 | 800,000 | 5,000,000 | 195 | 170M7217 |

Dimensions - mm



Data sheets: 170K6640, 170K6642

Size 1*, Square body fuse links, 170M

1200 V d.c. (IEC), 20 to 215A

Specifications

Description

Traction bolted tags square body high speed fuse links for superior protection of DC third rail applications up to 1200 V d.c..

Technical data

Rated voltage: 1200 V d.c. (IEC)

Rated current: 20-215 A

Tested breaking capacity: 150 kA at 1350 V d.c., L/R 12ms

Operating class: aR

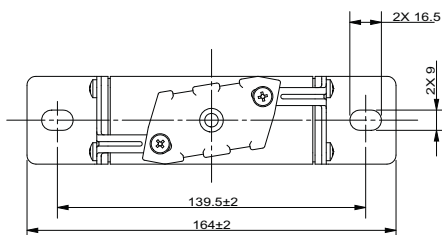
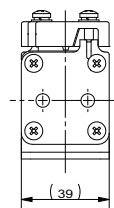
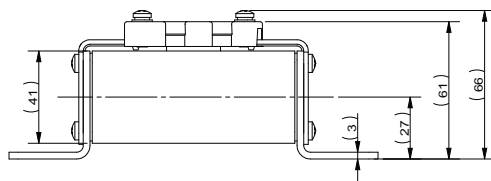
Standards / Agency information

IEC 60269



| Fuse link type | Fuse link body size | Rated voltage | Rated current (Amps) | I ² t (A ² Sec) | | Watts loss (W) | | Catalogue numbers |
|-----------------|---------------------|-------------------|----------------------|---------------------------------------|-------------------------|--------------------|----------------|-------------------|
| | | | | Pre-arcing | Clearing at 1200 V d.c. | 0.8 I _n | I _n | |
| Single slot tag | 1* | 1200 V d.c. (IEC) | 20 | 82 | 249 | 1 | 2 | 170M2100 |
| | | | 25 | 173 | 526 | 4 | 8 | 170M2101 |
| | | | 32 | 327 | 994 | 5 | 9 | 170M2102 |
| | | | 40 | 550 | 1675 | 1 | 9 | 170M2103 |
| | | | 50 | 950 | 2890 | 7 | 13 | 170M2104 |
| | | | 63 | 1310 | 3990 | 5 | 9 | 170M2105 |
| | | | 80 | 1970 | 6000 | 13 | 23 | 170M2106 |
| | | | 100 | 3800 | 11,600 | 14 | 26 | 170M2107 |
| | | | 125 | 8550 | 26,025 | 13 | 24 | 170M2108 |
| | | | 160 | 8770 | 26,700 | 24 | 44 | 170M2109 |
| | | | 200 | 15,200 | 46,300 | 29 | 52 | 170M2110 |
| | | | 215 | 16,430 | 50,000 | 32 | 58 | 170M2111 |

Dimensions - mm



Data sheet: 720141

Size 2, Square body fuse links, 170F

1200 V d.c. (IEC), 160 to 420 A

Specifications

Description

Traction bolted tags square body high speed fuse link for superior protection in DC traction applications up to 1200 V d.c..

Technical data

Rated voltage: 1200 V d.c. (IEC)

Rated current: 160-420 A

Breaking capacity:

- 100 kA at 1000 V d.c., L/R = 45ms
- 100 kA at 1200 V d.c., L/R = 15ms

Operating class: aR

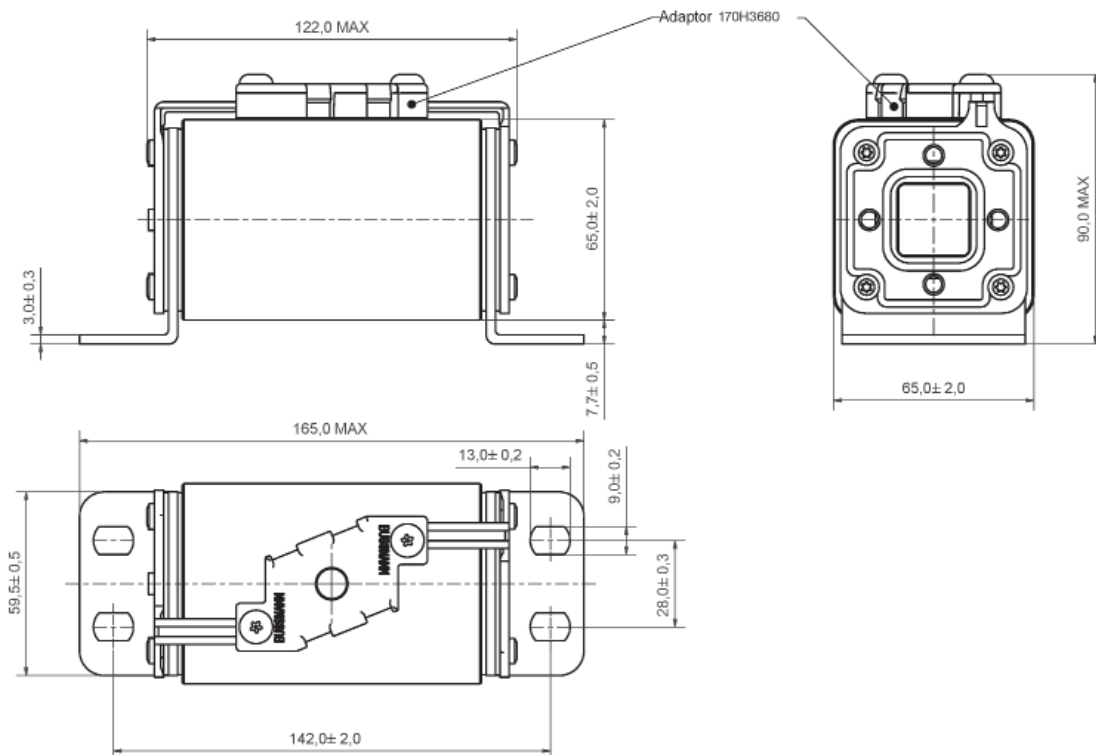
Standards / Agency information

Consult Eaton's Bussmann business bulehighspeedtechnical@eaton.com



| Fuse link type | Fuse link body size | Rated voltage | Rated current (Amps) | I ² t (A ² Sec) | | Watts loss (W) | Catalogue numbers |
|--------------------|---------------------|-------------------|----------------------|---------------------------------------|----------------------|----------------|-------------------|
| | | | | 1000 V d.c. L/R 15ms | 1000 V d.c. L/R 45ms | | |
| Double slotted tag | 2 | 1200 V d.c. (IEC) | 160 | 12,000 | 20,000 | 75 | 170F8230 |
| | | | 200 | 20,000 | 35,000 | 85 | 170F8231 |
| | | | 250 | 43,000 | 75,000 | 94 | 170F8232 |
| | | | 315 | 87,000 | 150,000 | 104 | 170F8233 |
| | | | 400 | 180,000 | 310,000 | 120 | 170F8234 |
| | | | 420 | 215,000 | 375,000 | 122 | 170F8235 |

Dimensions - mm



Data sheet: 170K5520

Size 1*, Square body fuse links, 170E

2000 V d.c. (IEC), 10 to 80 A

Specifications

Description

Traction bolted tags square body high speed fuse link which provides superior protection in DC traction applications up to 2000 V d.c..

Technical data

Rated voltage: 2000 V d.c. (IEC)

Rated current: 10-80 A

Tested breaking capacity: 40 kA at 2000 V d.c., L/R 30ms

Operating class: gR

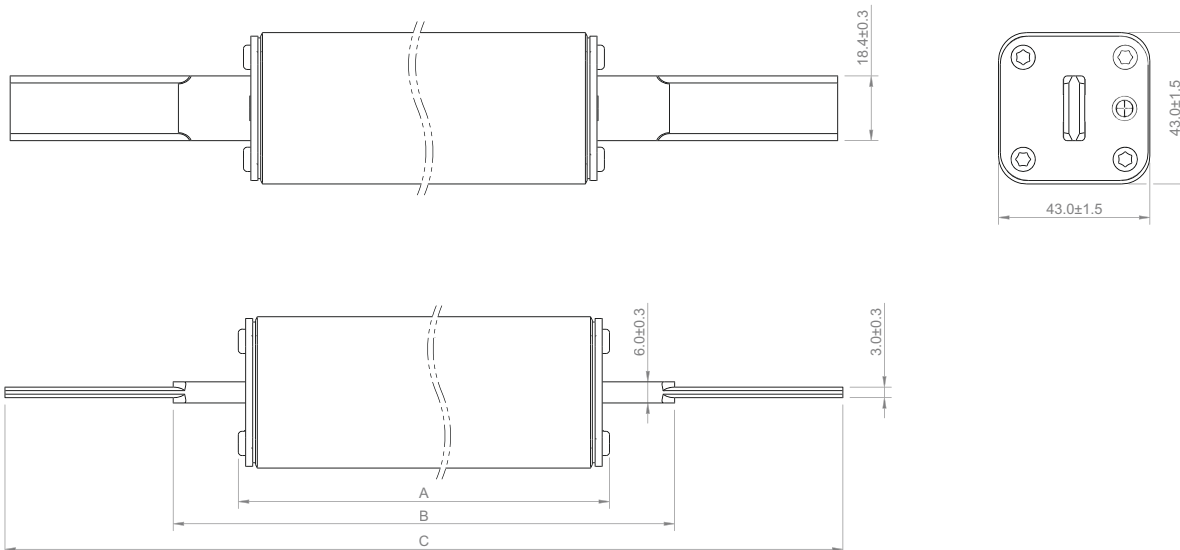
Standards / Agency information

Consult Eaton's Bussmann business bulehighspeedtechnical@eaton.com.



| Fuse link type | Fuse link body size | Rated voltage | Rated current (Amps) | Watts loss (W) | Catalogue numbers |
|----------------------|---------------------|-------------------|----------------------|----------------|-------------------|
| Knife blade style 1* | | 2000 V d.c. (IEC) | 10 | 7 | 170E3977 |
| | | | 12 | 8 | 170E3982 |
| | | | 16 | 11 | 170E3971 |
| | | | 20 | 13 | 170E3906 |
| | | | 25 | 17 | 170E3907 |
| | | | 32 | 22 | 170E3908 |
| | | | 40 | 27 | 170E3909 |
| | | | 50 | 34 | 170E3910 |
| | | | 63 | 43 | 170E3911 |
| | | | 80 | 50 | 170E3912 |

Dimensions - mm



| A | B | C |
|-----------|-------------|-------------|
| 215 ± 2.5 | 250.5 ± 3.2 | 245.5 ± 3.5 |

Data sheet: 170K4538

Size 1*, Square body fuse links, 170E

2000 V d.c. (IEC), 10 to 125 A

Specifications

Description

Traction bolted tags square body high speed fuse link which provides superior protection in DC traction applications up to 2000 V d.c..

Technical data

Rated voltage: 2000 V d.c. (IEC)

Rated current: 10-125 A

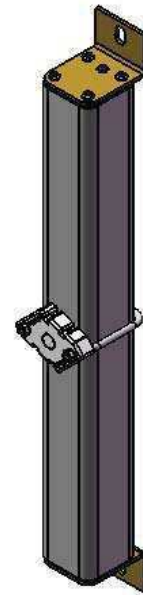
Tested breaking capacity: 40 kA at 2000 V d.c., L/R 30ms

Operating class:

- aR (170E3937 to 170E3945)
- gR (170E3950 to 170E3956 and 170E3970 and 170E3976)

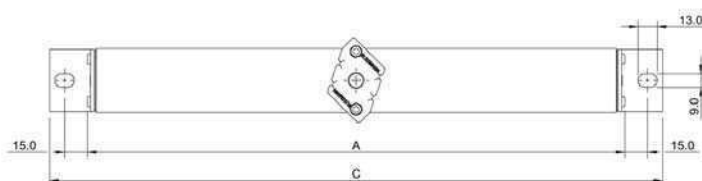
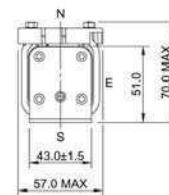
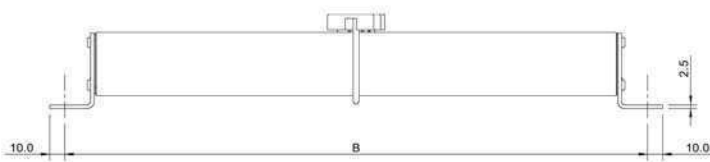
Standards / Agency information

Contact Eaton's Bussmann business bulehighspeedtechnical@eaton.com



| Fuse link type | Fuse link body size | Rated voltage | Rated current (Amps) | Watts loss (W) | Catalogue numbers |
|--------------------|---------------------|-------------------|----------------------|----------------|-------------------|
| Bolted blade Style | 1* | 2000 V d.c. (IEC) | 20 | 13 | 170E3937 |
| | | | 25 | 16 | 170E3938 |
| | | | 32 | 20 | 170E3939 |
| | | | 40 | 25 | 170E3940 |
| | | | 50 | 32 | 170E3941 |
| | | | 63 | 40 | 170E3942 |
| | | | 80 | 51 | 170E3943 |
| | | | 100 | 64 | 170E3944 |
| | | | 125 | 80 | 170E3945 |
| | | | 10 | 7 | 170E3976 |
| | | | 16 | 11 | 170E3970 |
| | | | 20 | 13 | 170E3950 |
| | | | 25 | 17 | 170E3951 |
| | | | 32 | 22 | 170E3952 |
| | | | 40 | 27 | 170E3953 |
| | | | 50 | 34 | 170E3954 |
| | | | 63 | 43 | 170E3955 |
| | | | 80 | 50 | 170E3956 |

Dimensions - mm



| A | B | C |
|-----|-----|-----|
| 217 | 246 | 266 |

Data sheets: 170K4538 (IR = 30 kA), 170K4900 (IR = 60 kA)

Square body fuse links, 170M 2000 V d.c. (IEC), 20 to 600 A

Specifications

Description

Traction bolted tags square body high speed fuse links which provides superior protection for DC traction third rail applications up to 2000 V d.c..

Technical data

Rated voltage: 2000 V d.c. (IEC)

Rated current:

- 20-215 A Single slot tag
- 160-400 A Double slot tag
- 500-600 A Parallel double slot tag

Breaking capacity:

- 100 kA at 2000 V d.c., L/R <15ms
- 100 kA at 1500 V d.c., L/R <30ms

Operating class: aR

Standards / Agency information

Tested in line with IEC 60269.

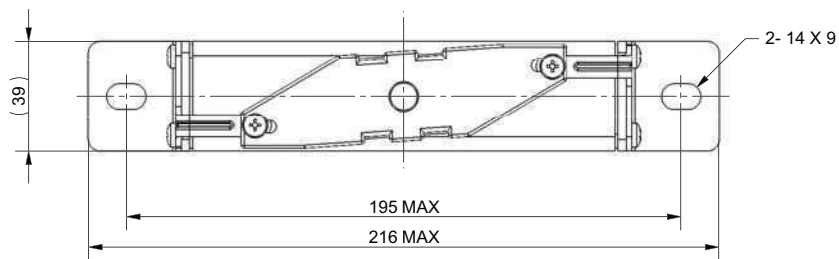
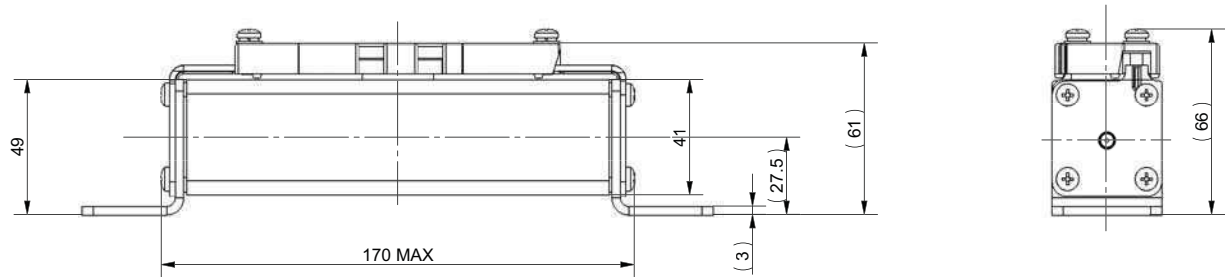


| Fuse link type | Rated voltage | Rated current (Amps) | I ² t (A ² Sec) | | Watts loss (W) | | Catalogue numbers |
|--------------------------|-------------------|----------------------|---------------------------------------|----------------------|--------------------|----------------|-------------------|
| | | | Pre-arcing | Total at 2000 V d.c. | 0.8 I _n | I _n | |
| Single slot tag | 2000 V d.c. (IEC) | 20 | 85 | 240 | 9 | 12 | 170M2046 |
| | | 25 | 130 | 390 | 9 | 16 | 170M2047 |
| | | 32 | 220 | 645 | 11 | 18 | 170M2048 |
| | | 40 | 390 | 1140 | 12 | 20 | 170M2049 |
| | | 50 | 610 | 1780 | 17 | 33 | 170M2050 |
| | | 63 | 1030 | 3000 | 20 | 39 | 170M2051 |
| | | 80 | 1555 | 4550 | 28 | 53 | 170M2052 |
| | | 100 | 2680 | 7840 | 33 | 63 | 170M2053 |
| | | 125 | 4110 | 12,020 | 42 | 79 | 170M2054 |
| | | 160 | 6620 | 19,360 | 45 | 87 | 170M2055 |
| | | 200 | 10,720 | 31,360 | 50 | 95 | 170M2056 |
| Double slot tag | 2000 V d.c. (IEC) | 215 | 21,870 | 64,000 | 51 | 97 | 170M2057 |
| | | 160 | 7875 | 75,960 | 68 | 91 | 170M2039 |
| | | 200 | 12,300 | 118,670 | 85 | 113 | 170M2040 |
| | | 250 | 21,870 | 211,000 | 100 | 133 | 170M2041 |
| | | 315 | 38,880 | 375,110 | 119 | 158 | 170M2042 |
| Parallel double slot tag | 2000 V d.c. (IEC) | 400 | 65,710 | 633,965 | 148 | 176 | 170M2043 |
| | | 500 | 105,851 | 163,010 | 109 | 230 | 170M2044 |
| | | 600 | 188,179 | 289,796 | 153 | 305 | 170M2045 |

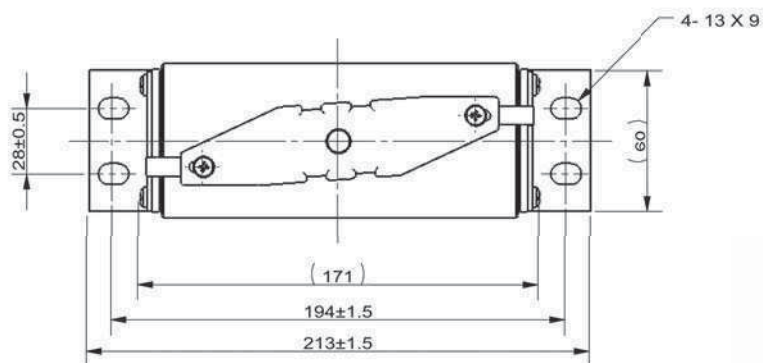
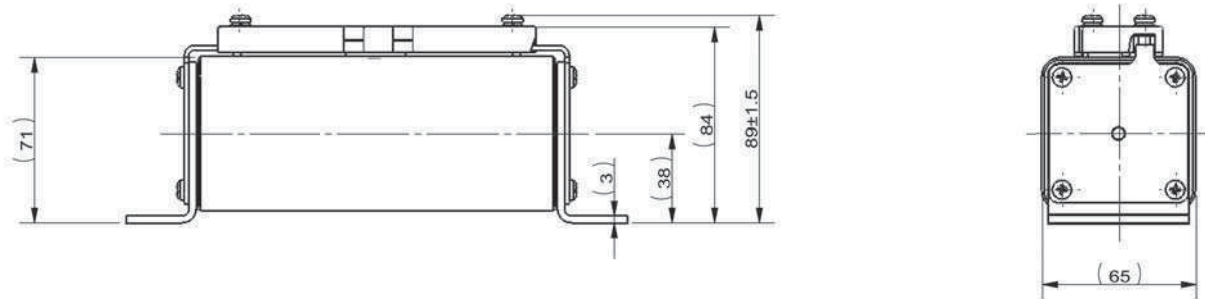
Square body fuse links, 170M

2000 V d.c. (IEC), 20 to 600 A

Dimensions - mm



170M2046 to 170M2057 - Single Slot Tag

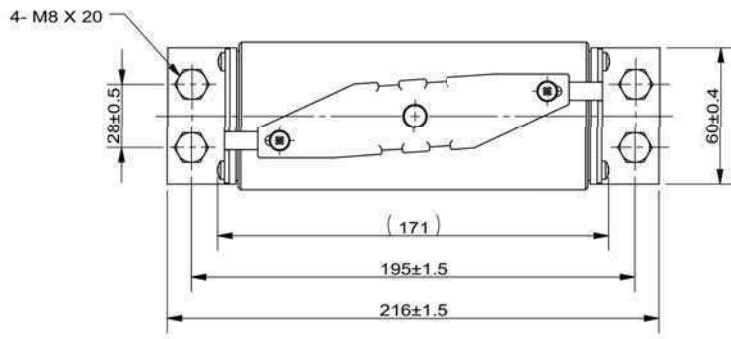
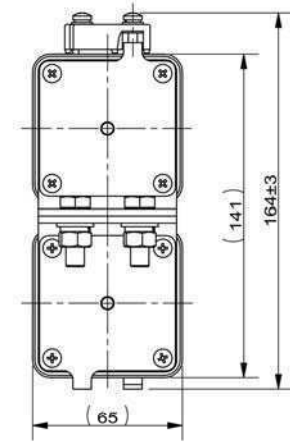
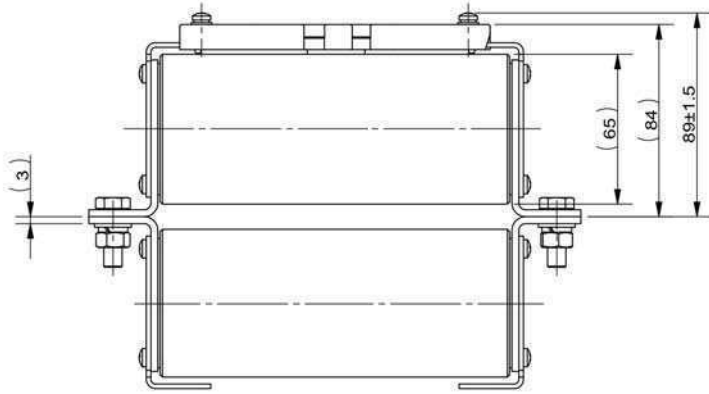


170M2039 to 170M2043 - Double Slot Tag

Data sheet: 720142

Square body fuse links, 170M
 2000 V d.c. (IEC), 20 to 600 A

Dimensions - mm



170M2044 and 170M2045 - Parallel Double Slot Tag

Size 3, Square body fuse links, 170M

2400 V d.c. (IEC), 100 to 400 A

Specifications

Description

Traction bolted tags square body high speed fuse links for superior protection of DC third rail applications up to 2400 V d.c..

Technical data

Rated voltage: 2400 V d.c. (IEC)

Rated current: 100-400 A

Tested breaking capacity:

- 100 kA at 2400 V d.c., L/R < 15ms
- 100 kA at 2000 V d.c., L/R < 45ms

Operating class: aR

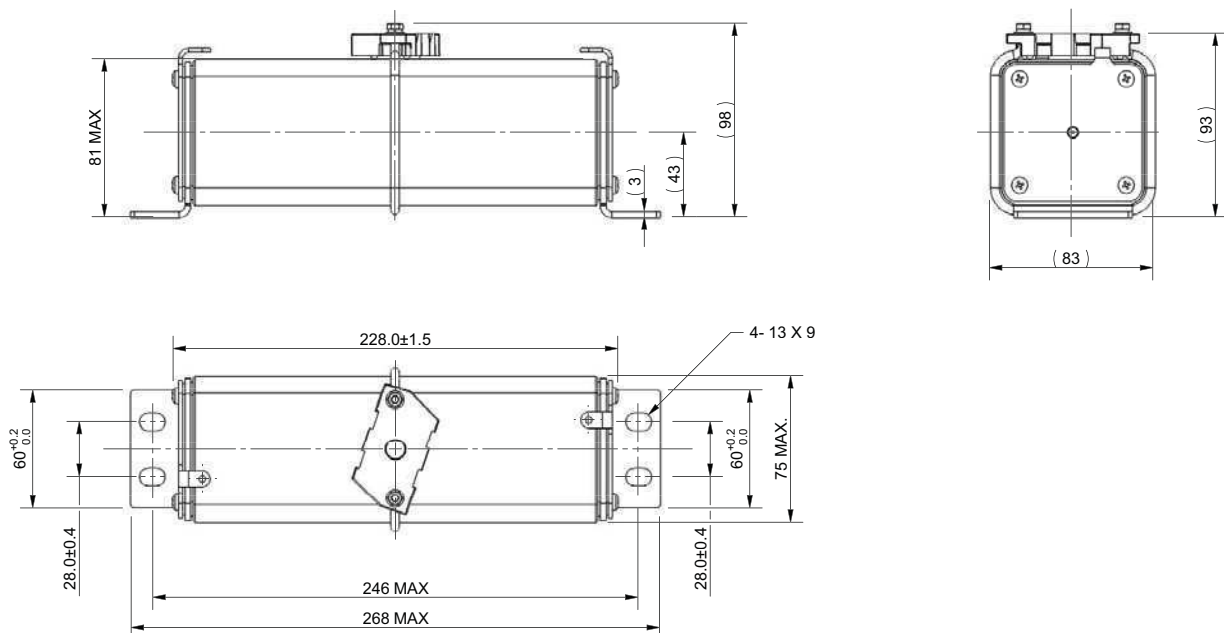
Standards / Agency information

Tested in line with IEC 60269.



| Fuse link type | Fuse link body size | Rated voltage | Rated current (Amps) | Pt (A² Sec) | | Watts loss (W) | | Catalogue numbers |
|-----------------|---------------------|-------------------|----------------------|-------------|----------------------|--------------------|----------------|-------------------|
| | | | | Pre-arcing | Total at 2000 V d.c. | 0.8 I _n | I _n | |
| Double slot tag | 3 | 2400 V d.c. (IEC) | 100 | 5468 | 15,457 | 20 | 39 | 170M2090 |
| | | | 160 | 16,427 | 46,439 | 43 | 84 | 170M2091 |
| | | | 200 | 25,667 | 72,561 | 53 | 97 | 170M2092 |
| | | | 250 | 36,960 | 104,488 | 60 | 103 | 170M2093 |
| | | | 315 | 66,977 | 189,346 | 82 | 162 | 170M2094 |
| | | | 350 | 87,480 | 247,309 | 89 | 175 | 170M2095 |
| | | | 400 | 110,717 | 313,000 | 103 | 203 | 170M2096 |

Dimensions - mm



Size 1*, Square body fuse links, 170E

4000 V d.c. (IEC), 20 to 125A

Specifications

Description

Traction bolted tags square body high speed fuse link for superior protection in DC traction applications up to 4000 V d.c..

Technical data

Rated voltage: 4000 V d.c. (IEC)

Rated current: 20-125 A

Tested breaking capacity: 50 kA at 4000 V d.c., L/R 10ms

Operating class: aR

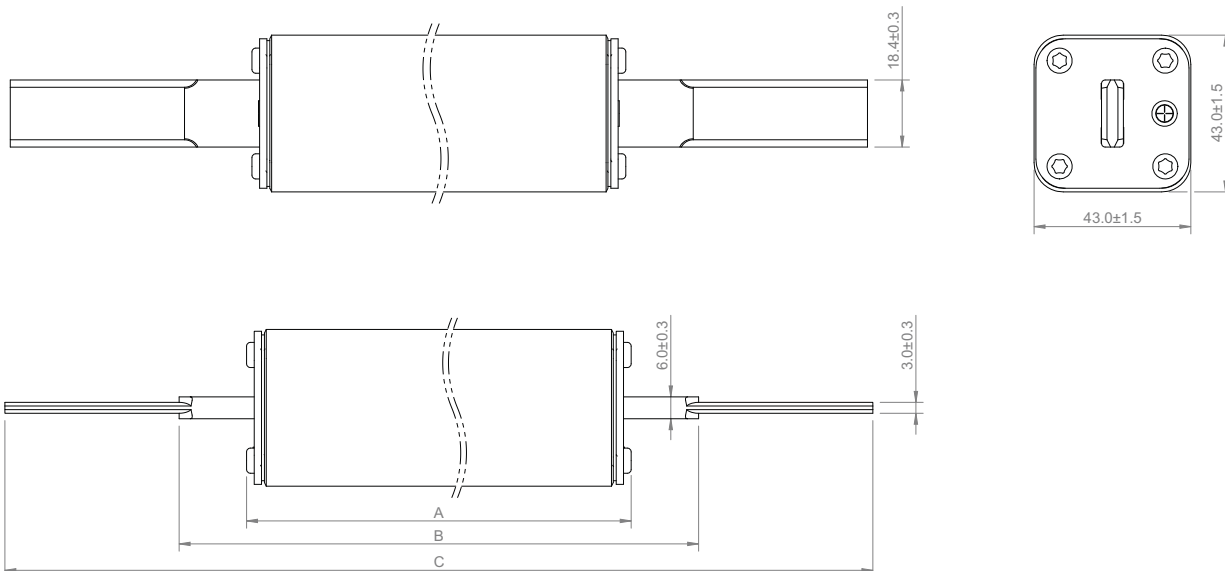
Standards / Agency information

Consult Eaton's Bussmann business bulehighspeedtechnical@eaton.com.



| Fuse link body size | Rated voltage | Rated current (Amps) | Watts loss (W) | Catalogue numbers |
|---------------------|-------------------|----------------------|----------------|-------------------|
| 1* | 4000 V d.c. (IEC) | 20 | 23 | 170E3924 |
| | | 25 | 28 | 170E3925 |
| | | 32 | 34 | 170E3926 |
| | | 40 | 45 | 170E3927 |
| | | 50 | 57 | 170E3928 |
| | | 63 | 72 | 170E3929 |
| | | 80 | 91 | 170E3930 |
| | | 100 | 114 | 170E3931 |
| | | 125 | 143 | 170E3932 |

Dimensions - mm



Data sheet: 170K6600

Size 1*, 2 and 2//2, Square body fuse links, 170E

4000 V d.c. (IEC), 20 to 450 A

Specifications

Description

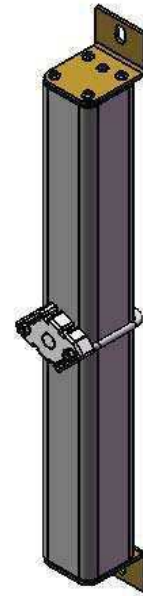
Traction bolted tags square body high speed fuse link for superior protection in DC traction applications up to 4000 V d.c..

Technical data

Rated voltage: 4000 V d.c. (IEC)
 Rated current: 20-450 A
 Breaking capacity: 60 kA at 4000 V d.c., L/R 25ms
 Operating class: aR

Standards / Agency information

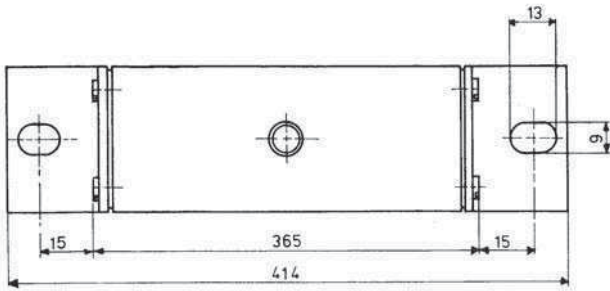
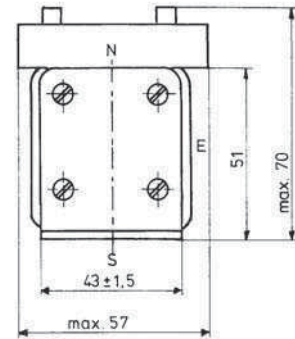
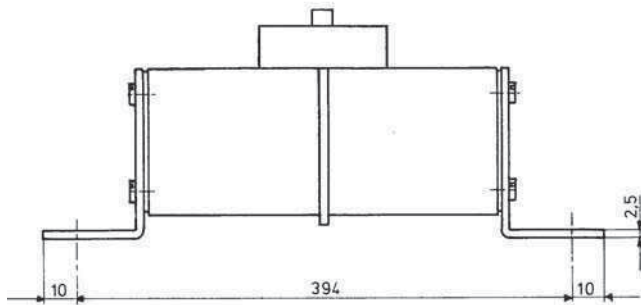
Consult Eaton's Bussmann business bulehighspeedtechnical@eaton.com.



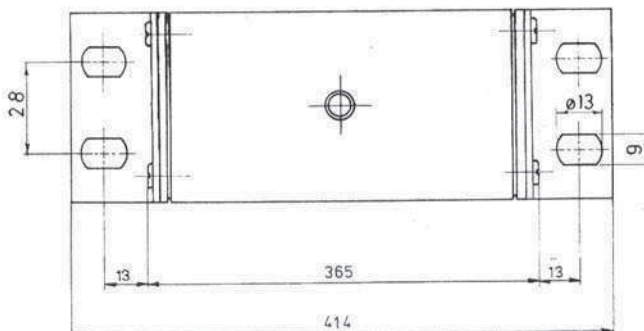
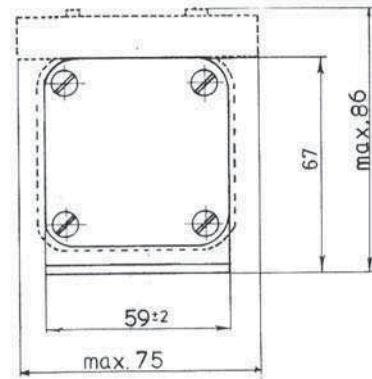
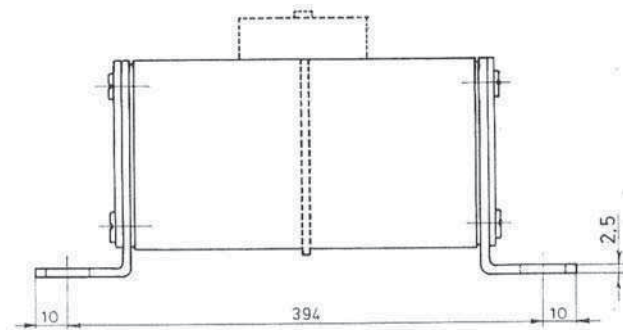
| Fuse link body size | Rated voltage | Rated current (Amps) | Watts loss (W) | Catalogue numbers |
|---------------------|-------------------|----------------------|----------------|-------------------|
| 1* | 4000 V d.c. (IEC) | 20 | 23 | 170E3914 |
| | | 25 | 28 | 170E3915 |
| | | 32 | 34 | 170E3916 |
| | | 40 | 45 | 170E3917 |
| | | 50 | 57 | 170E3918 |
| | | 63 | 72 | 170E3919 |
| | | 80 | 91 | 170E3984 |
| | | 100 | 114 | 170E3933 |
| | | 125 | 143 | 170E3922 |
| 2 | 4000 V d.c. (IEC) | 160 | 182 | 170E8882 |
| | | 200 | 228 | 170E8883 |
| | | 250 | 285 | 170E8884 |
| 2//2 | 4000 V d.c. (IEC) | 315 | 360 | 170E8885 |
| | | 350 | 400 | 170E8886 |
| | | 400 | 455 | 170E8887 |
| | | 450 | 515 | 170E8888 |

Size 1*, 2 and 2//2, Square body fuse links, 170E
 4000 V d.c. (IEC), 20 to 450 A

Dimensions - mm



Type 1*SKN/394

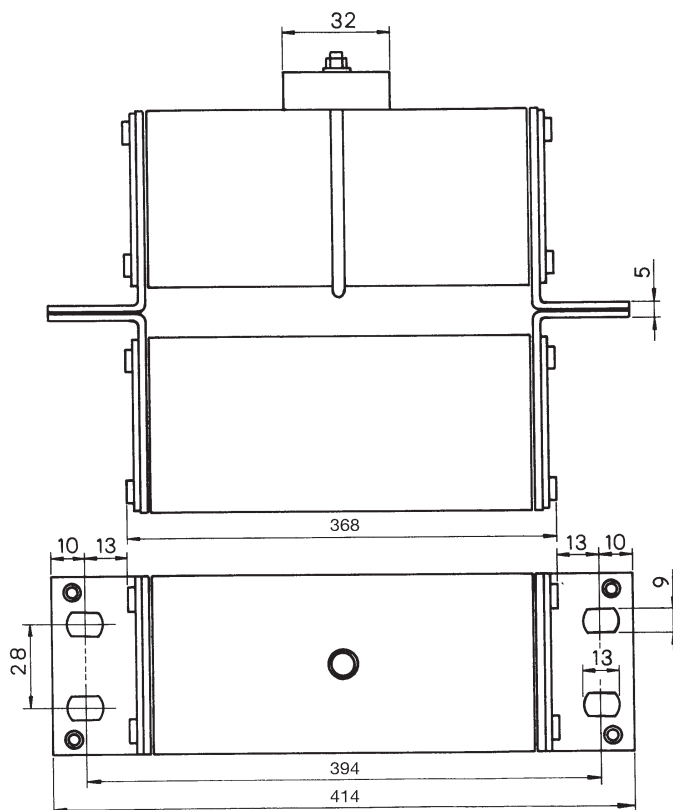


Type 2SKN/394

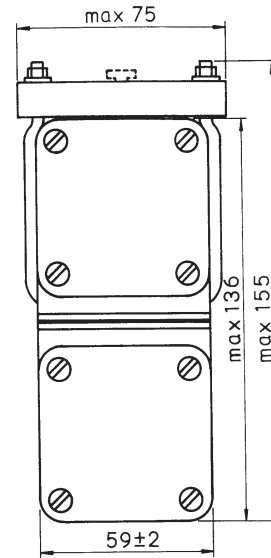
Data sheets: 1* 170K6600, 2 & 2//2 170K6604

Size 1*, 2 and 2//2, Square body fuse links, 170E
4000 V d.c. (IEC), 20 to 450 A

Dimensions - mm



Type 2//SKN/394



20 x 127 and 25 x 146 mm, Ferrule fuse links, FWK 750 V d.c. (IEC), 5 to 60 A

Specifications

Description

Ferrule high speed fuse links for light rail applications in auxiliary power and distribution equipment.

Technical data

Rated voltage: 750 V d.c. (IEC)

Rated current:

- 5-30 A (20 x 127 mm)
- 35-60 A (25 x 146 mm)

Breaking capacity: 50 kA at 750 V d.c., L/R 10-15ms

Operating class: gG

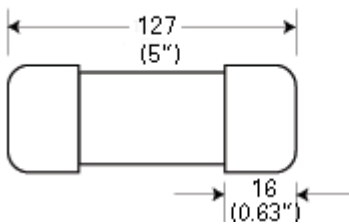
Standards / Agency information

Tested in line with IEC 60269.

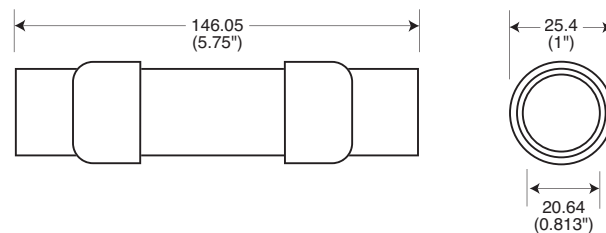


| Fuse link size | Rated voltage | Rated current (Amps) | I ² t (A ² Sec) | | Watts loss (W) | Catalogue numbers |
|------------------------------|---------------------|----------------------|---------------------------------------|------------------------|----------------|-------------------|
| | | | Pre-arcing | Clearing at 750 V d.c. | | |
| 20 x 127 mm (13/16" x 5") | 750 V d.c. (IEC) | 5 | 8.5 | 16 | 6.7 | FWK-5A20F |
| | | 8 | 50 | 100 | 8.8 | FWK-8A20F |
| | | 10 | 95 | 200 | 8.5 | FWK-10A20F |
| | | 15 | 100 | 240 | 5 | FWK-15A20F |
| | | 20 | 125 | 315 | 7.8 | FWK-20A20F |
| | | 25 | 400 | 1100 | 6.5 | FWK-25A20F |
| | | 30 | 800 | 2600 | 6.5 | FWK-30A20F |
| 25 x 146 mm (1" x 5 3/4") | 750 V d.c. (IEC) | 35 | 1300 | 4300 | 6 | FWK-35A25F |
| | | 40 | 1600 | 5300 | 6.8 | FWK-40A25F |
| | | 50 | 3100 | 12000 | 7.3 | FWK-50A25F |
| | | 60 | 5900 | 24000 | 7.7 | FWK-60A25F |

Dimensions - mm (in)



5-30 A



35-60 A

Data sheets: 720039, 35785031

Ferrule fuse links, LRC750

750 V d.c. (IEC), 30 to 50 A

Specifications

Description

Ferrule high speed fuse links for light rail applications in auxiliary power and distribution equipment. Also suitable for heavy rails applications in instrumentation and control circuits equipment.

Technical data

Rated voltage: 750 V d.c. (IEC)
 Rated current: 30-50 A
 Breaking capacity: 50 kA at 750 V d.c., L/R 15-20ms
 Operating class: gR

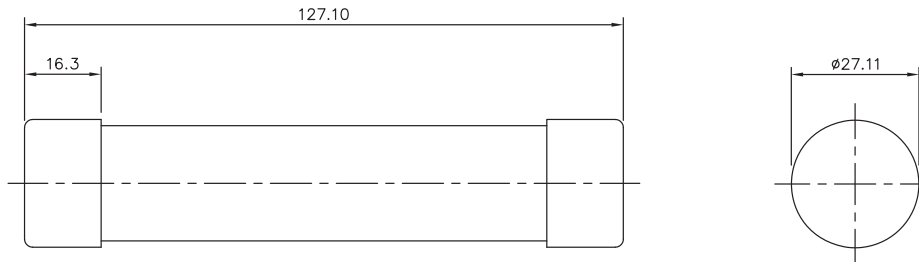
Standards / Agency information

Tested in line with IEC 60269.



| Fuse link type | Rated voltage | Rated current (Amps) | I ² t (A ² Sec) | | | Catalogue numbers |
|----------------|------------------|----------------------|---------------------------------------|------------------------|----------------|-------------------|
| | | | Pre-arcing | Clearing at 750 V d.c. | Watts loss (W) | |
| LRC750 | 750 V d.c. (IEC) | 30 | 700 | 2250 | 4.5 | 30LRC750 |
| | | 40 | 1800 | 5300 | 5.8 | 40LRC750 |
| | | 50 | 3100 | 12000 | 9.4 | 50LRC750 |

Dimensions - mm



20 x 127 mm, Ferrule fuse links, FWL and FWS

1200-1400-2000 V a.c. (IEC), 1000 V d.c. (IEC), 2 to 30 A

Specifications

Description

Ferrule high speed fuse links for light rail applications in auxiliary power and distribution equipment.

Technical data

Rated voltage:

- FWL: 1200 V a.c. (IEC) / 1000 V d.c.
- FWS: 2000 V a.c./1000 V d.c. (IEC, 2-8A)
1400 V a.c./1000 V d.c. (IEC, 10-15A)

Rated current: 2-30 A

Breaking capacity: 50 kA at 1000 V d.c., L/R 15ms

Operating class: gG

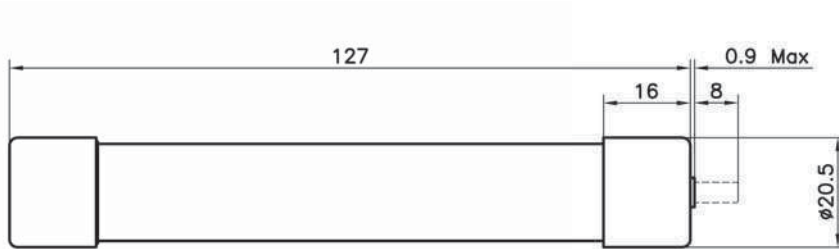
Standards / Agency information

Consult Eaton's Bussmann business bulehighspeedtechnical@eaton.com.



| Fuse link size | Rated voltage | Rated current (Amps) | I ² t (A ² Sec) | | Watts loss (W) | Catalogue numbers | |
|-----------------------------|--------------------------------------|----------------------|---------------------------------------|-------------------------|----------------|-------------------|----------------|
| | | | Pre-arcing | Clearing at 1000 V d.c. | | Without indicator | With indicator |
| 20 x 127 mm (13/16" x 5) | 2000 V a.c./ 1000 V d.c. (IEC) | 2 | 0.8 | 2.4 | 4.4 | FWS-2A20F | FWS-2A20FI |
| | | 6 | 27 | 81 | 6.7 | FWS-6A20F | FWS-6A20FI |
| | | 8 | 64 | 192 | 7.6 | FWS-8A20F | FWS-8A20FI |
| | 1400 V a.c./ 1000 V d.c. (IEC) | 10 | 118 | 277 | 3.0 | FWS-10A20F | FWS-10A20FI |
| | | 12 | 170 | 380 | 3.4 | FWS-12A20F | FWS-12A20FI |
| 20 x 127 mm (13/16" x 5) | 1200 V a.c./ 1000 V d.c. (IEC) | 15 | 209 | 500 | 5.0 | FWS-15A20F | FWS-15A20FI |
| | | 20 | 675 | 1550 | 5.9 | FWL-20A20F | FWL-20A20FI |
| | | 25 | 1200 | 2760 | 6.5 | FWL-25A20F | FWL-25A20FI |
| | | 30 | 1850 | 4300 | 7.5 | FWL-30A20F | FWL-30A20FI |

Dimensions - mm



Data sheets: 720040, 5785109

Round body fuse links, KC36

750 V d.c. (IEC), 5 to 60 A

Specifications

Description

Ferrule high speed fuse links for light rail applications in auxiliary power and distribution equipment. Also suitable for heavy rails applications in instrumentation and control circuits equipment.

Technical data

| | |
|--------------------|----------------------------------|
| Rated voltage: | 750 V d.c. (IEC) |
| Rated current: | 5-60 A |
| Breaking capacity: | 50 kA at 750 V d.c., L/R 15-20ms |
| Operating class: | gG |

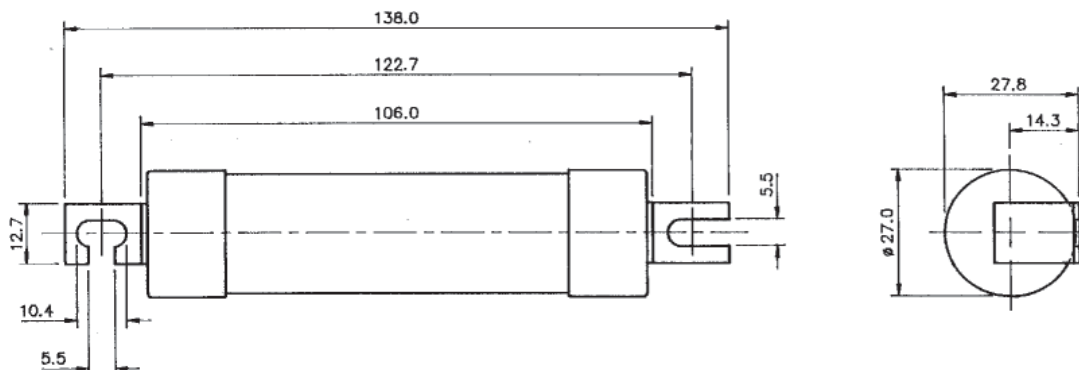
Standards / Agency information

Tested in line with IEC 60269.



| Fuse link type | Rated voltage | Rated current (Amps) | I ² t (A ² Sec) | | Watts loss (W) | Catalogue numbers |
|----------------|------------------|----------------------|---------------------------------------|------------------------|----------------|-------------------|
| | | | Pre-arcing | Clearing at 750 V d.c. | | |
| KC36 | 750 V d.c. (IEC) | 5 | 8.5 | 16 | 6.7 | 5KC36 |
| | | 8 | 50 | 100 | 8.8 | 8KC36 |
| | | 10 | 95 | 200 | 8.5 | 10KC36 |
| | | 15 | 100 | 240 | 5 | 15KC36 |
| | | 20 | 125 | 315 | 7.8 | 20KC36 |
| | | 25 | 400 | 1100 | 6.5 | 25KC36 |
| | | 30 | 800 | 2600 | 6.5 | 30KC36 |
| | | 35 | 1300 | 4300 | 6 | 35KC36 |
| | | 40 | 1600 | 5300 | 6.8 | 40KC36 |
| | | 50 | 3100 | 12,000 | 7.3 | 50KC36 |
| | | 60 | 5900 | 24,000 | 7.7 | 60KC36 |

Dimensions - mm



Round body fuse links, RC

750 V d.c. (IEC), 200 to 400 A

Specifications

Description

Round bodied bolted tags high speed traction fuse links which provides protection for DC traction third rail applications.

Technical data

Rated voltage: 750 V d.c. (IEC)

Rated current: 200-400 A

Breaking capacity: Consult Eaton's Bussmann business
bulehighspeedtechnical@eaton.com

Operating class: gG

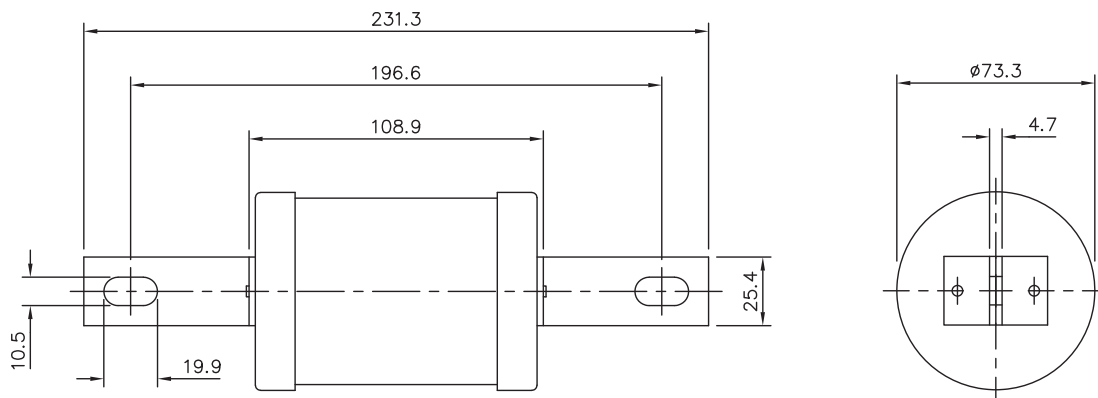
Standards / Agency information

Consult Eaton's Bussmann business bulehighspeedtechnical@eaton.com.



| Rated voltage | Rated current (Amps) | I^2t (A ² s) | Watts loss (W) | Catalogue numbers |
|------------------|----------------------|---------------------------|----------------|-------------------|
| 750 V d.c. (IEC) | 200 | 85,000 | 31 | 200RC |
| | 250 | 225,000 | 33 | 250RC |
| | 300 | 340,000 | 37 | 300RC |
| | 350 | 530,000 | 41 | 350RC |
| | 400 | 756,000 | 48 | 400RC |

Dimensions - mm



Data sheets: 5778869, 5785107 and 5785207

Round body fuse links, SF

900 V d.c. (IEC), 160 to 1000 A

Specifications

Description

Round bodied flush end high speed traction fuse links which provides protection for DC traction third rail applications.

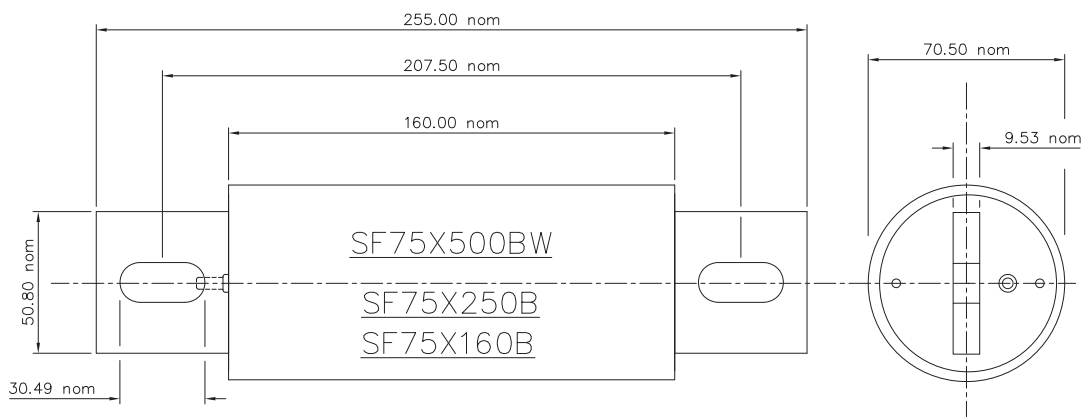
Technical data

| | |
|--------------------|--|
| Rated voltage: | 900 V d.c. (IEC) |
| Rated current: | 160-1000 A |
| Breaking capacity: | 80 kA at 900 V d.c., L/R 80ms ¹ |
| Operating class: | aR (600 to 1000 A)/gR (160 to 320 A) |



| Rated voltage | Rated current (Amps) | I ² t (A ² s) | Total at 900 V d.c. | Catalogue numbers | |
|------------------|----------------------|-------------------------------------|---------------------|-------------------|-------------------|
| | | | | Blade contact | Flush end contact |
| 900 V d.c. (IEC) | 160 | 23,000 | 205,000 | SF75X160B | - |
| | 250 | 54,000 | 90,000 | SF75X250B | - |
| | 500 | 150,000 | 570,000 | SF75X500BW | - |
| | 600 | 585,000 | 4,000,000 | SF75X600BW | - |
| | 800 | 1,400,000 | 9,000,000 | SF75X800BW | SF75X800BB |
| | 1000 | - | - | SF100X1000 | SF100X1000HP |

Dimensions - mm



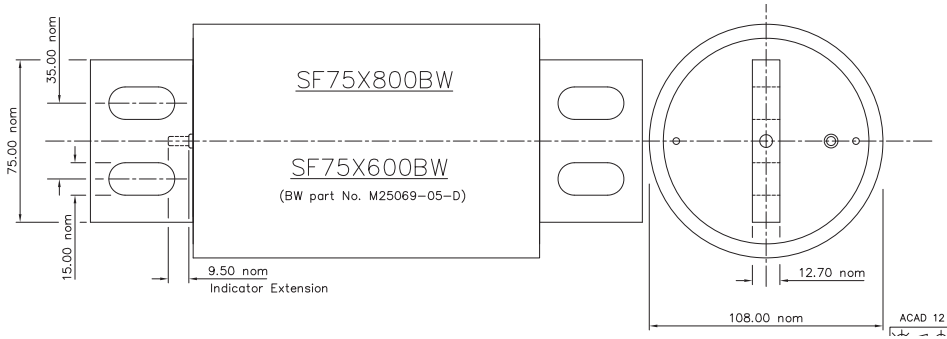
Blade contact: SF75X160B, SF75X250B, SF75X500B

¹ Consult Eaton's Bussmann business for full details bulehighspeedtechnical@eaton.com.

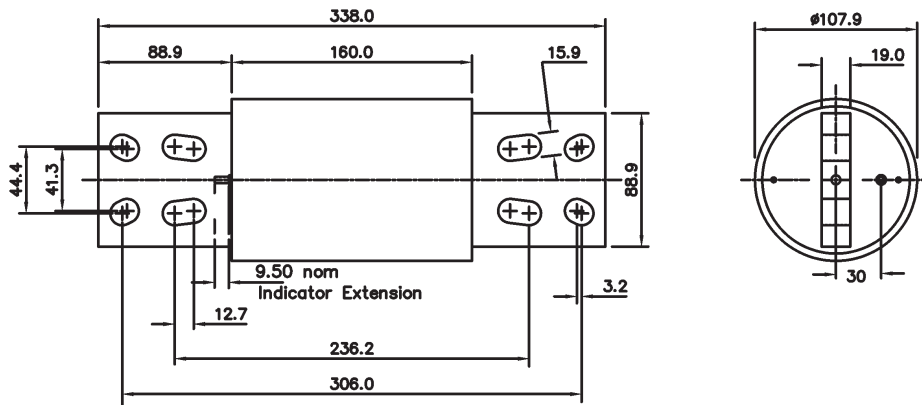
Round body fuse links, SF

900 V d.c. (IEC), 160 to 1000 A

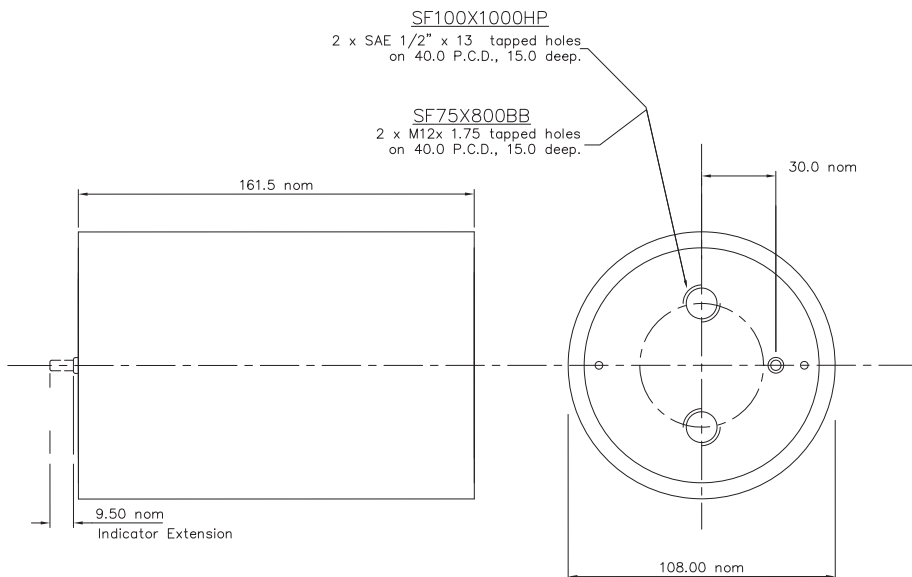
Dimensions - mm



Blade contact: SF75X600BW and SF75X800BW



Blade contact: SF100X1000



Flush end: SF75X800BB and SF100X1000HP

Data sheets: 5785227, 5779017

Round body fuse links, NBC

1500 V d.c. (IEC), 25 to 200 A

Specifications

Description

A range of round body bolted tags high speed fuse links for heavy rail applications such as auxiliary and distribution equipment.

Technical data

Rated voltage: 1500 V d.c. (IEC)

Rated current: 25-200 A

Breaking capacity: Consult Eaton's Bussmann business for interrupting rating and time constant capabilities.

Operating class: gR

Standards / Agency information

Consult Eaton's Bussmann business bulehighspeedtechnical@eaton.com.



| Fuse link type | Rated voltage | Rated current (Amps) | Catalogue numbers |
|----------------|-------------------|----------------------|-------------------|
| NBC | 1500 V d.c. (IEC) | 25 | NBC-25 |
| | | 60 | NBC-60 |
| | | 70 | NBC-70 |
| | | 100 | NBC-100 |
| | | 150 | NBC-150 |
| | | 200 | NBC-200 |

Dimensions - mm

Consult Eaton's Bussmann business bulehighspeedtechnical@eaton.com.

Photovoltaic fuse links

10 x 38 mm, PVM

600 V d.c. (UL), 4 to 30 A

Specifications

Description

A range of UL 2579 fast-acting 600 V d.c. midsize fuse links specifically designed to protect solar power systems in extreme ambient temperature, high cycling and low level fault Rated current conditions (reverse rated current, multi-array fault).

Technical data

Rated voltage: 600 V d.c. to UL 2579

Rated current: 4-30 A

Breaking capacity: 50 kA DC (4-30 A)

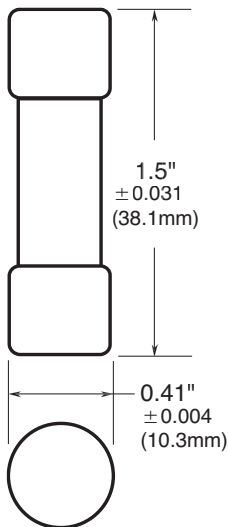
Standards / Agency information

UL Listed 2579, Guide JFGA, File E335324, CSA Component Certified C22.2.



| Rated voltage | Rated current (Amps) | Power Loss (W) | | Catalogue numbers |
|-----------------|----------------------|----------------------|--------------------|-------------------|
| | | 0.8 x I _n | 1 x I _n | |
| 600 V d.c. (UL) | 4 | | | PVM-4 |
| | 5 | | | PVM-5 |
| | 6 | | | PVM-6 |
| | 7 | | | PVM-7 |
| | 8 | | | PVM-8 |
| | 9 | | | PVM-9 |
| | 10 | 1.04 | 1.86 | PVM-10 |
| | 12 | | | PVM-12 |
| | 15 | 1 | 1.72 | PVM-15 |
| | 20 | | | PVM-20 |
| | 25 | | | PVM-25 |
| 30 | 1.65 | 2.91 | PVM-30 | |

Dimensions - in (mm)



10 x 38 mm, PV-10F

1000 V d.c. (IEC/UL), 1 to 20 A

Specifications

Description

A range of fuse links in a 10 x 38 mm package specifically designed for the protection and isolation of photovoltaic strings. The fuse links are capable of interrupting low overRated currents associated with faulted PV (reverse rated current, multi-array fault) string arrays.

Technical data

| | |
|--------------------|--------------------------|
| Rated voltage: | 1000 V d.c. (IEC/UL) |
| Rated current: | 1-20 A |
| Breaking capacity: | 50 kA |
| Operating class: | gPV and UL PV fuse links |

Standards / Agency information

IEC 60269-6, UL Recognised 2579 (File number E335324), CSA, CCC (1-15A), RoHS compliant.

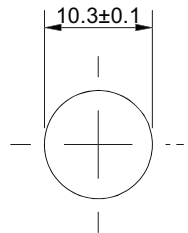
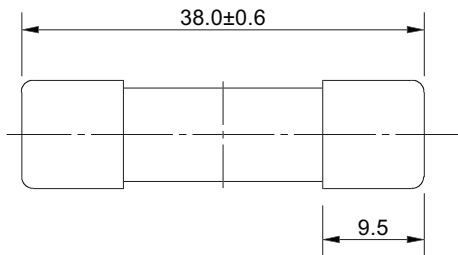


| Rated voltage | Rated current (Amps) | I ² t (A ² Sec) | | Watts loss (W) | | Catalogue numbers | | | |
|-------------------------|----------------------|---------------------------------------|----------------------|--------------------|----------------|-------------------|-------------|-----------------------|-----------------------|
| | | Pre-arcing | Total at 1000 V d.c. | 0.8 I _n | I _n | Cylindrical | Bolt fixing | PCB fixing single pin | PCB fixing double pin |
| 1000 V a.c. (UL/IEC) | 1 | 0.15 | 0.4 | 0.8 | 1.5 | PV-1A10F | PV-1A10-T | PV-1A10-1P | PV-1A10-2P |
| | 2 | 1.2 | 3.4 | 0.6 | 1.0 | PV-2A10F | PV-2A10-T | PV-2A10-1P | PV-2A10-2P |
| | 3 | 4 | 11 | 0.8 | 1.3 | PV-3A10F | PV-3A10-T | PV-3A10-1P | PV-3A10-2P |
| | 3.5 | 6.6 | 18 | 0.9 | 1.4 | PV-3-5A10F | PV-3-5A10-T | PV-3-5A10-1P | PV-3-5A10-2P |
| | 4 | 9.5 | 26 | 1.0 | 1.5 | PV-4A10F | PV-4A10-T | PV-4A10-1P | PV-4A10-2P |
| | 5 | 19 | 50 | 1.0 | 1.6 | PV-5A10F | PV-5A10-T | PV-5A10-1P | PV-5A10-2P |
| | 6 | 30 | 90 | 1.1 | 1.8 | PV-6A10F | PV-6A10-T | PV-6A10-1P | PV-6A10-2P |
| | 8 | 3 | 32 | 1.2 | 2.1 | PV-8A10F | PV-8A10-T | PV-8A10-1P | PV-8A10-2P |
| | 10 | 7 | 70 | 1.2 | 2.3 | PV-10A10F | PV-10A10-T | PV-10A10-1P | PV-10A10-2P |
| | 12 | 12 | 120 | 1.5 | 2.7 | PV-12A10F | PV-12A10-T | PV-12A10-1P | PV-12A10-2P |
| | 15 | 22 | 220 | 1.7 | 2.9 | PV-15A10F | PV-15A10-T | PV-15A10-1P | PV-15A10-2P |
| | 20 | 34 | 350 | 2.1 | 3.6 | PV-20A10F | PV-20A10-T | PV-20A10-1P | PV-20A10-2P |

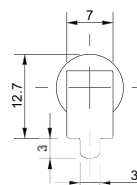
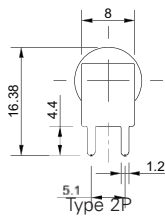
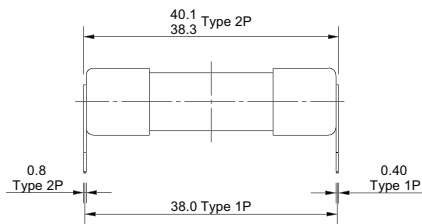
10 x 38 mm, PV-10F

1000 V d.c. (IEC/UL), 1 to 20 A

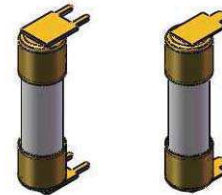
Dimensions - mm



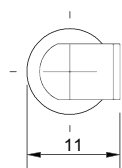
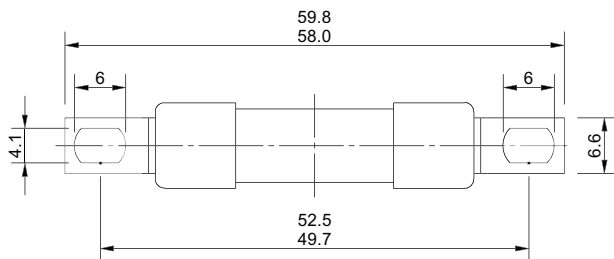
Cylindrical PV-A10F**



Type 1P



PCB Fixing PV-A10-1P**



Bolt Fixing PV-A10-T**

Data sheet: 720110

14 x 51 mm, PV-14F

1000 and 1100 V d.c. (IEC/UL), 15 to 32 A

Specifications

Description

A range of fuse links in a 14 x 51 mm package specifically designed for the protection and isolation of photovoltaic strings. The fuse links are capable of interrupting low overrated currents associated with faulted PV (reverse rated current, multi-array fault).

Technical data

Rated voltage:

- 1100 V d.c. (IEC and UL, 15 and 20 A)
- 1000 V d.c. (IEC and UL, 25 and 32 A)

Rated current: 15-32 A

Breaking capacity: 30 kA

Operating class: gPV and UL PV fuse links

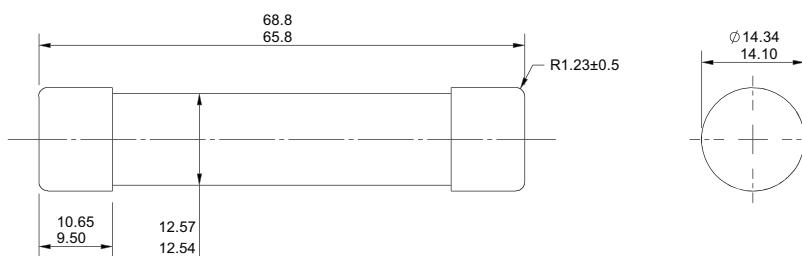
Standards / Agency information

IIEC 60269-6, UL Recognised 2579 (File number E335324), RoHS compliant. Pending: CCC.



| Rated voltage | Rated current (Amps) | I ² t (A ² Sec) | | Watts loss (W) | | Catalogue numbers |
|----------------------|----------------------|---------------------------------------|------------------------|--------------------|----------------|-------------------|
| | | Pre-arcing | Total at rated voltage | 0.8 I _n | I _n | |
| 1100 V d.c. (IEC/UL) | 15 | 14 | 270 | 2.1 | 4 | PV-15A14F |
| | 20 | 27 | 570 | 2.9 | 5.5 | PV-20A14F |
| 1000 V d.c. (IEC/UL) | 25 | 65 | 950 | 2.8 | 5.3 | PV-25A14F |
| | 32 | 120 | 1750 | 4 | 7.5 | PV-32A14F |

Dimensions - in (mm)



14 x 65 mm, PV-14L

1300-1500 V d.c. (IEC and UL), 15 to 32 A

Specifications

Description

A range of fuse links in a 14 x 65 mm package specifically designed for the protection and isolation of photovoltaic strings. The fuse links are capable of interrupting low overrated currents associated with faulted PV (reverse rated current, multi-array fault).

Technical data

Rated voltage:

- 1500 V d.c. (IEC and UL, 15 and 20 A)
- 1300 V d.c. (IEC and UL, 25 and 32 A)

Rated current: 15-32 A

Breaking capacity: 10 kA

Operating class: gPV and UL PV fuse links

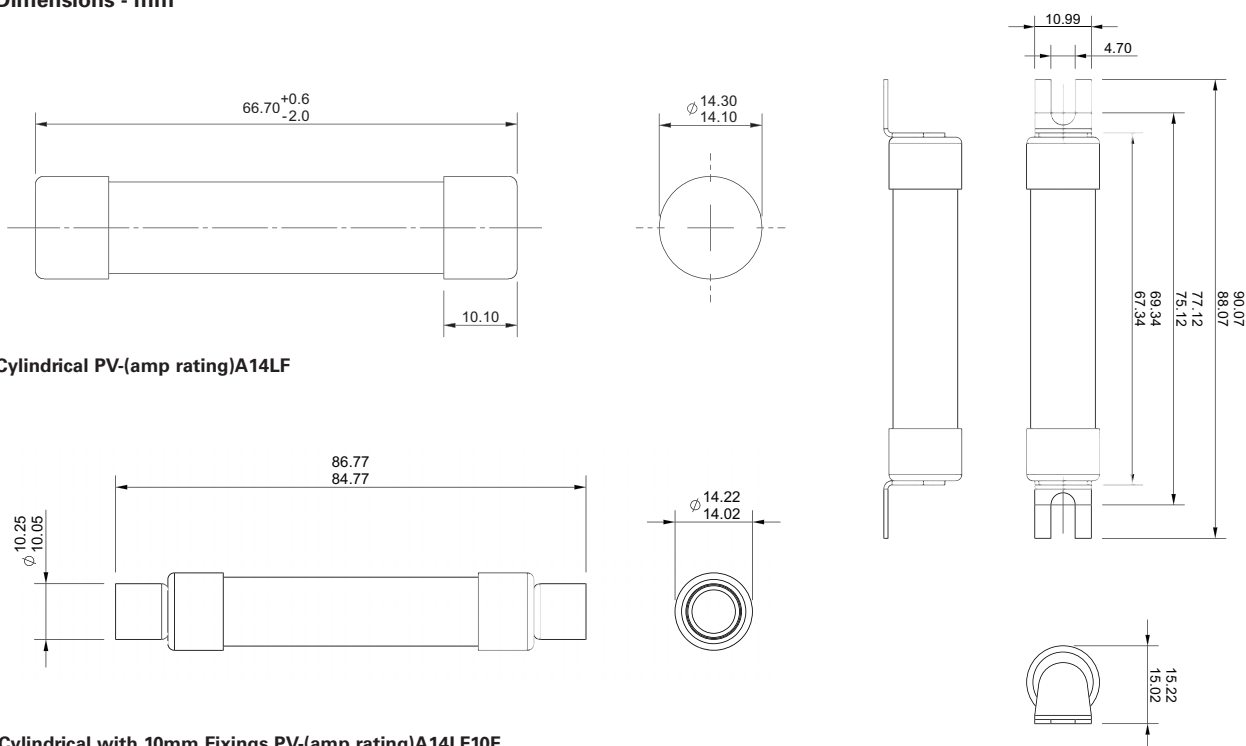


Standards / Agency information

IEC 60269-6, UL Recognised 2579 (File number E335324), RoHS compliant, Pending: CCC.

| Rated voltage | Rated current (Amps) | I ² t (A ² Sec) | | Watts loss (W) | | Catalogue numbers | | |
|----------------------|----------------------|---------------------------------------|------------------------|--------------------|----------------|-------------------|-----------------------|-------------------------------|
| | | Pre-arcing | Total at rated voltage | 0.8 I _n | I _n | Cylindrical | Cylindrical with tags | Cylindrical with 10mm fixings |
| 1500 V d.c. (IEC/UL) | 15 | 14 | 160 | 3.2 | 5.8 | PV-15A14LF | PV-15A14L-T | PV-15A14LF10F |
| | 20 | 34 | 400 | 3.6 | 6.5 | PV-20A14LF | PV-20A14L-T | PV-20A14LF10F |
| 1300 V d.c. (IEC/UL) | 25 | 65 | 550 | 4.1 | 7.5 | PV-25A14LF | PV-25A14L-T | PV-25A14LF10F |
| | 32 | 105 | 900 | 5.7 | 10.4 | PV-32A14LF | PV-32A14L-T | PV-32A14LF10F |

Dimensions - mm



Data sheet: 720139

NH, PV-ANH

1000 V d.c. (IEC/UL), 32 to 400 A

Specifications

Description

A range of NH size bladed fuse links specifically designed for protecting and isolating photovoltaic array combiners and disconnects. These fuse links are capable of interrupting low overrated currents associated with faulted PV systems (reverse rated current, multi-array fault).

Technical data

| | |
|--------------------|--------------------------|
| Rated voltage: | 1000 V d.c. (IEC and UL) |
| Rated current: | 32-400 A |
| Breaking capacity: | 50 kA |
| Operating class: | gPV and UL PV fuse links |

Standards / Agency information

IEC 60269-6, UL Recognised file 2579 E335324 for size 1 only, RoHS compliant

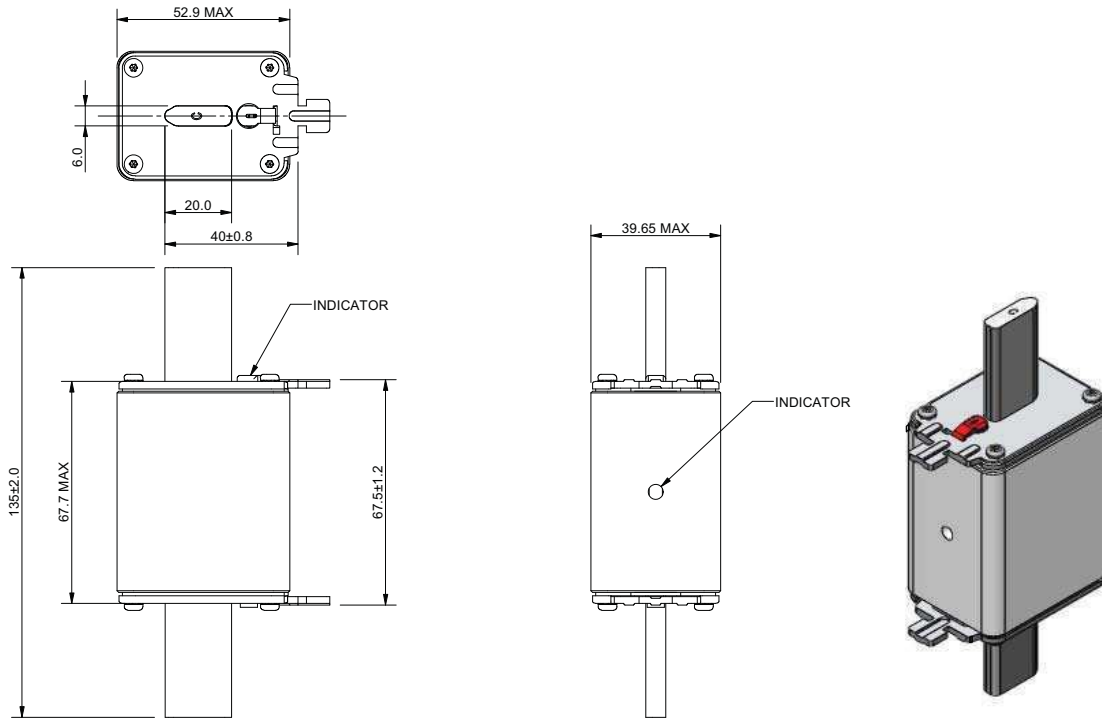


| Fuse link body size | Rated voltage | Rated current (Amps) | I ² t (A ² Sec) | | Watts loss (W) | | Catalogue numbers | | |
|---------------------|----------------------|----------------------|---------------------------------------|----------------------|--------------------|----------------|--------------------------|-----------------------|--------------------------------|
| | | | Pre-arcing | Total at 1000 V d.c. | 0.8 I _n | I _n | Blade without bolt holes | Blade with bolt holes | Blade with bolt holes and lugs |
| NH1 | 1000 V d.c. (IEC/UL) | 32 | 80 | 720 | 4 | 8 | PV-32ANH1 | | |
| | | 40 | 185 | 1670 | 5 | 9 | PV-40ANH1 | | |
| | | 50 | 400 | 3600 | 6 | 11 | PV-50ANH1 | | |
| | | 63 | 470 | 4300 | 6 | 12 | PV-63ANH1 | | |
| | | 80 | 640 | 5760 | 8 | 15 | PV-80ANH1 | | |
| | | 100 | 1300 | 11700 | 8 | 16 | PV-100ANH1 | | |
| | | 125 | 2600 | 23400 | 9 | 17 | PV-125ANH1 | | |
| | | 160 | 5200 | 46800 | 14 | 27 | PV-160ANH1 | | |
| | | 200 | 10200 | 82000 | 13 | 25 | PV-200ANH1 | | |
| NH2 | 1000 V d.c. (IEC/UL) | 160 | 4600 | 37000 | 14 | 28 | PV-160ANH2 | | |
| | | 200 | 9500 | 76000 | 16 | 32 | PV-200ANH2 | | |
| | | 250 | 17000 | 136000 | 19 | 38 | PV-250ANH2 | | |
| NH3 | 1000 V d.c. (IEC/UL) | 300 | 32000 | 260000 | 24 | 40 | PV-300ANH3 | | |
| | | 315 | 32000 | 260000 | 26 | 44 | PV-315ANH3 | | |
| | | 350 | 44500 | 370000 | 27 | 45 | PV-350ANH3 | | |
| | | 355 | 44500 | 370000 | 28 | 46 | PV-355ANH3 | | |
| | | 400 | 67500 | 550000 | 30 | 50 | PV-400ANH3 | | |
| NH1 | 1000 V d.c. (IEC/UL) | 63 | 470 | 4300 | 6 | 12 | PV-63ANH1-B | PV-63ANH1-BL | |
| | | 80 | 640 | 5760 | 8 | 15 | PV-80ANH1-B | PV-80ANH1-BL | |
| | | 100 | 1300 | 11700 | 8 | 16 | PV-100ANH1-B | PV-100ANH1-BL | |
| | | 125 | 2600 | 23400 | 9 | 17 | PV-125ANH1-B | PV-125ANH1-BL | |
| | | 160 | 5200 | 46800 | 14 | 27 | PV-160ANH1-B | PV-160ANH1-BL | |
| | | 200 | 10200 | 82000 | 13 | 25 | PV-200ANH1-B | PV-200ANH1-BL | |
| NH2 | 1000 V d.c. (IEC/UL) | 160 | 4600 | 37000 | 14 | 28 | PV-160ANH2-B | PV-160ANH2-BL | |
| | | 200 | 9500 | 76000 | 16 | 32 | PV-200ANH2-B | PV-200ANH2-BL | |
| | | 250 | 17000 | 136000 | 19 | 38 | PV-250ANH2-B | PV-250ANH2-BL | |
| NH3 | 1000 V d.c. (IEC/UL) | 315 | 32000 | 260000 | 26 | 44 | PV-315ANH3-B | PV-315ANH3-BL | |
| | | 355 | 38000 | 310000 | 29 | 48 | PV-355ANH3-B | PV-355ANH3-BL | |
| | | 400 | 61000 | 490000 | 32 | 50 | PV-400ANH3-B | PV-400ANH3-BL | |

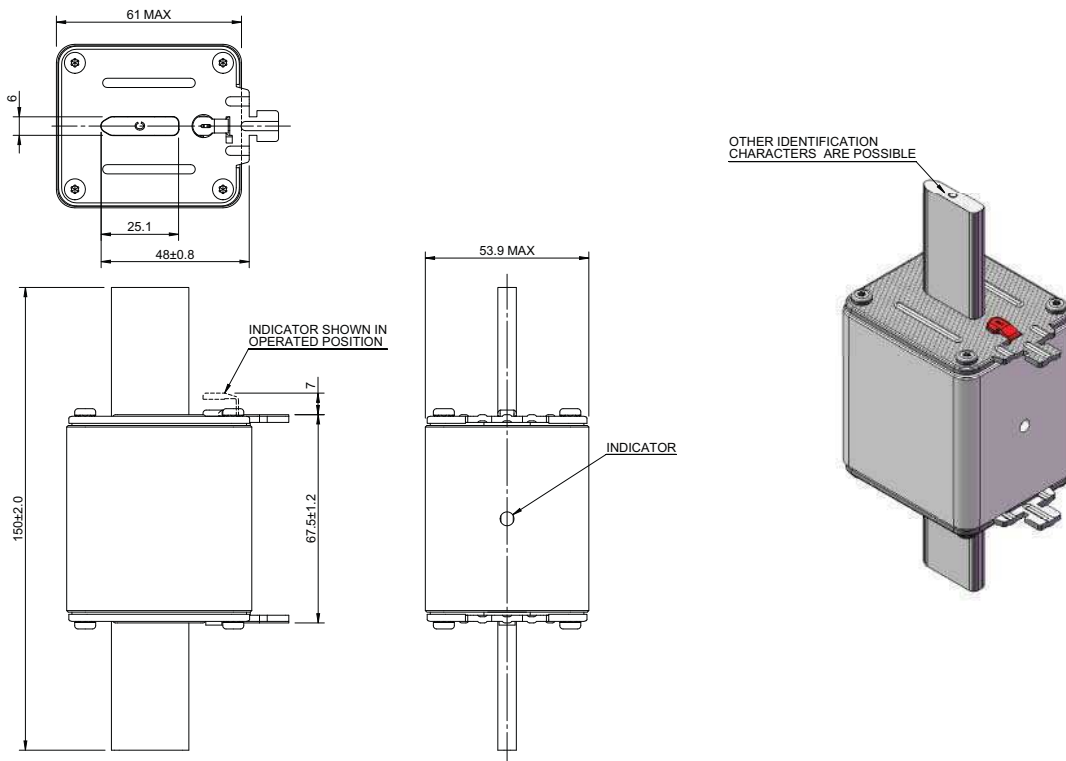
NH, PV-ANH

1000 V d.c. (IEC/UL), 32 to 400 A

Dimensions - Blade without bolt holes - mm



NH Size 1



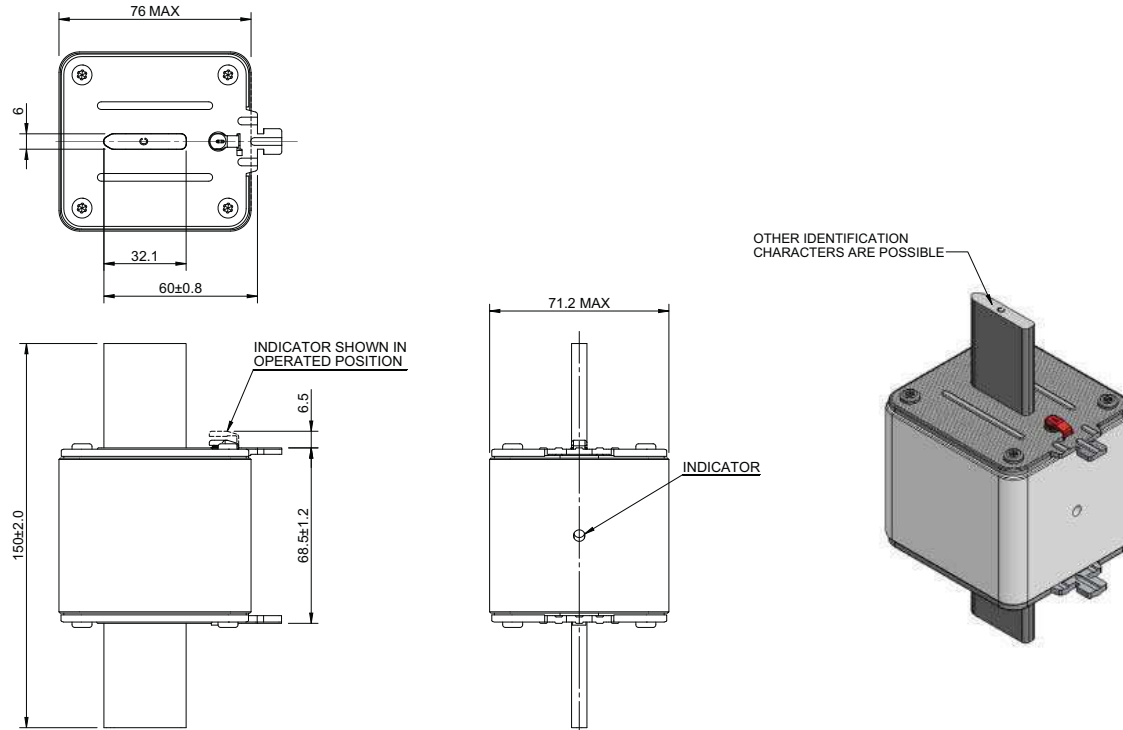
NH Size 2

Data sheet: 720133

NH, PV-ANH

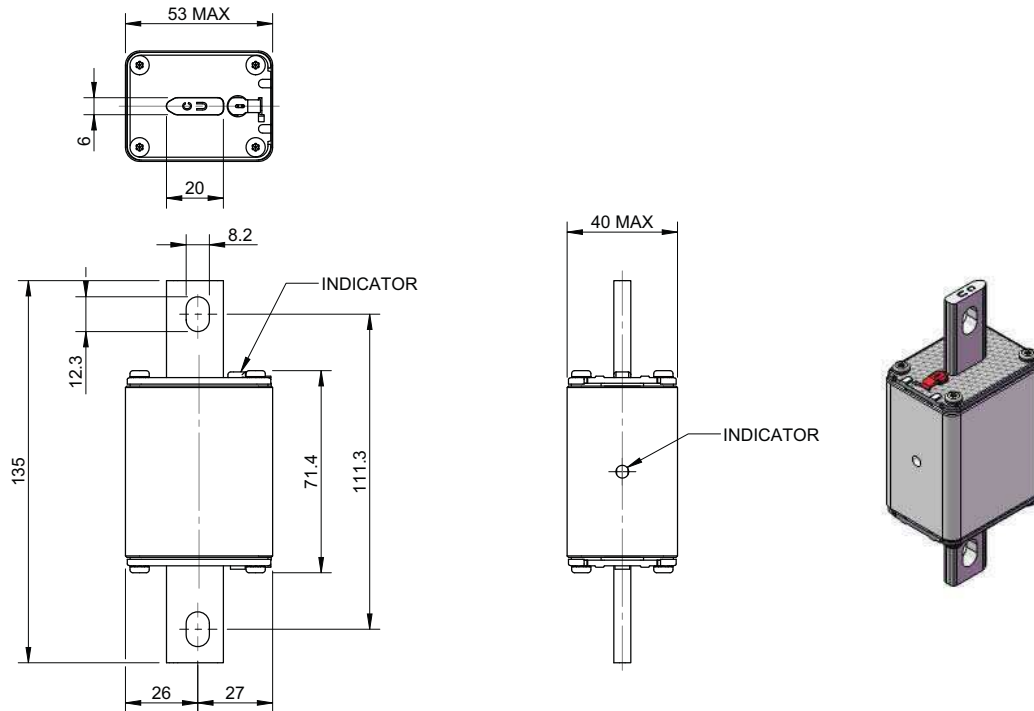
1000 V d.c. (IEC/UL), 32 to 400 A

Dimensions - Blade without bolt holes - mm



NH Size 3

Dimensions - Blade with bolt holes - mm



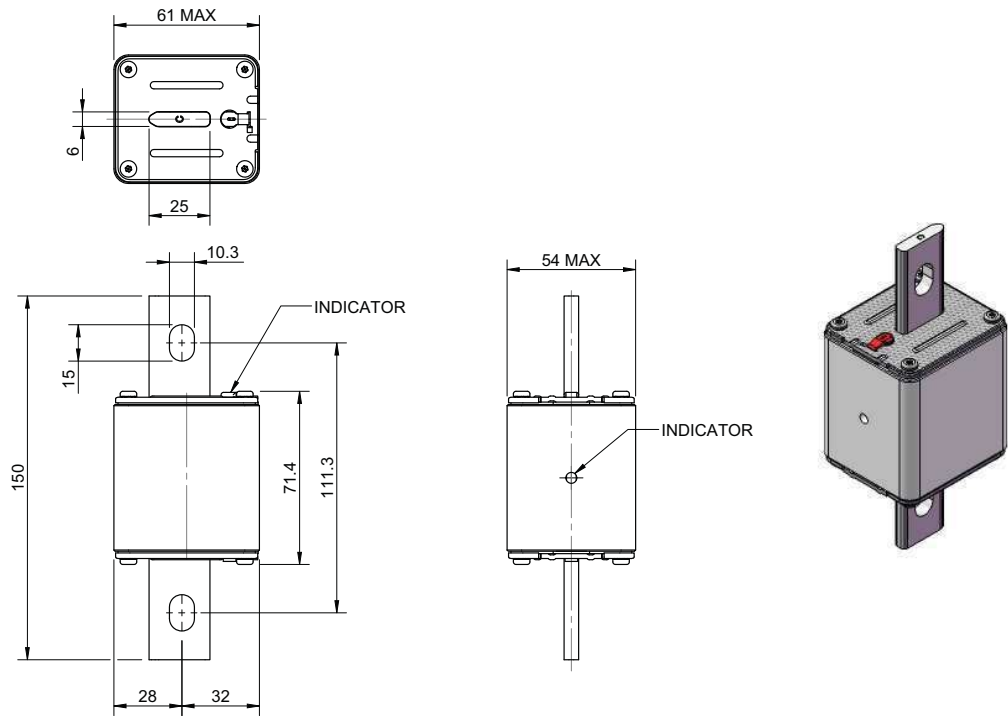
NH Size 1

Data sheet: 720133

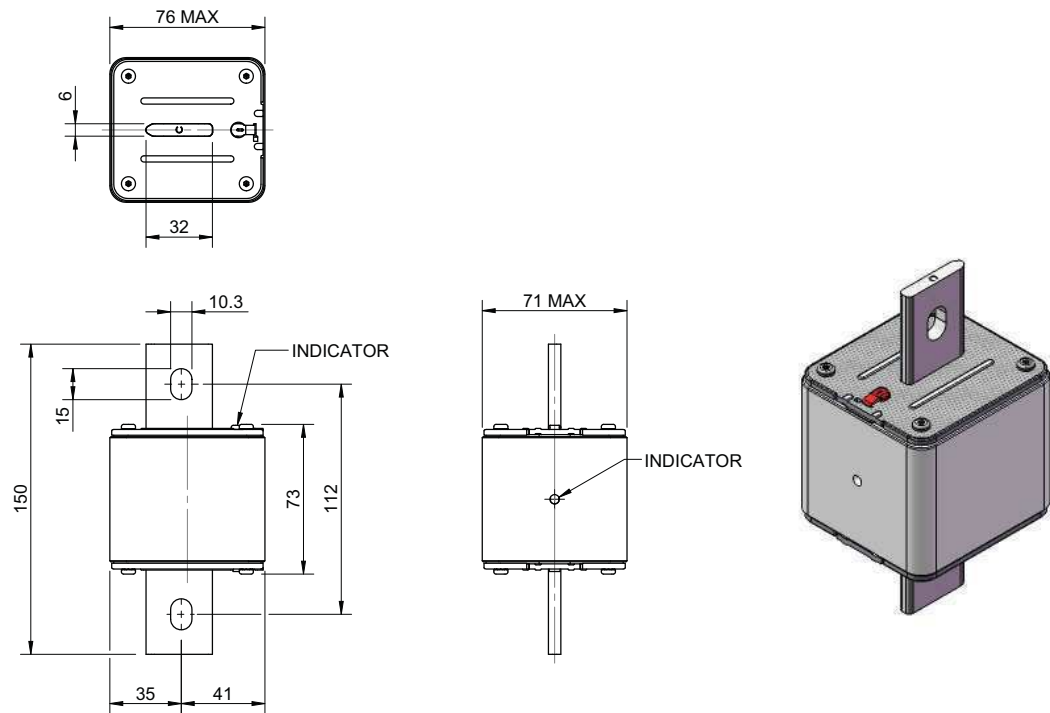
NH, PV-ANH

1000 V d.c. (IEC/UL), 32 to 400 A

Dimensions - Blade with bolt holes - mm



NH Size 2



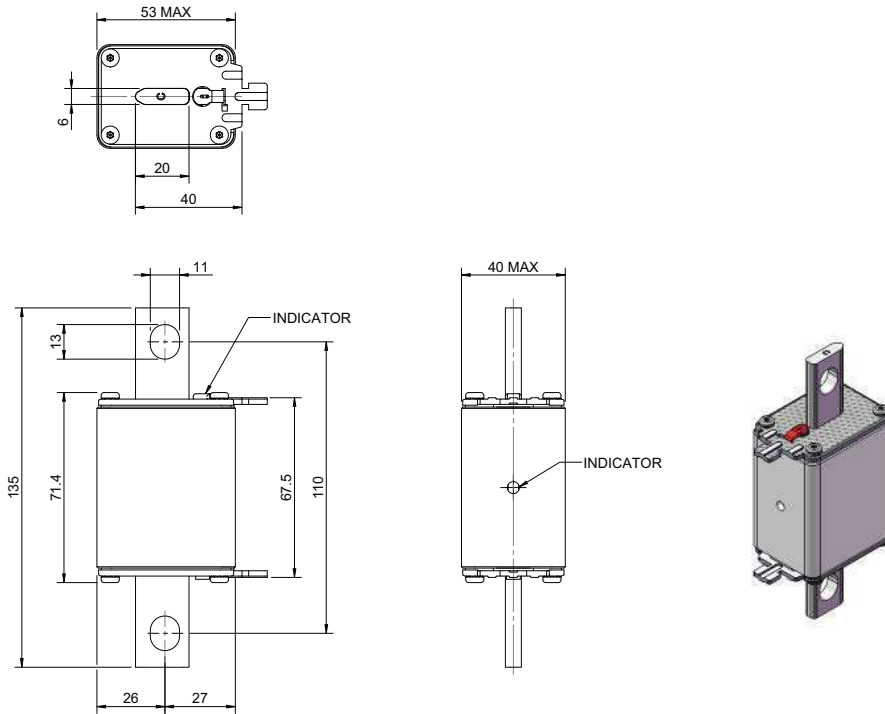
NH Size 3

Data sheet: 720133

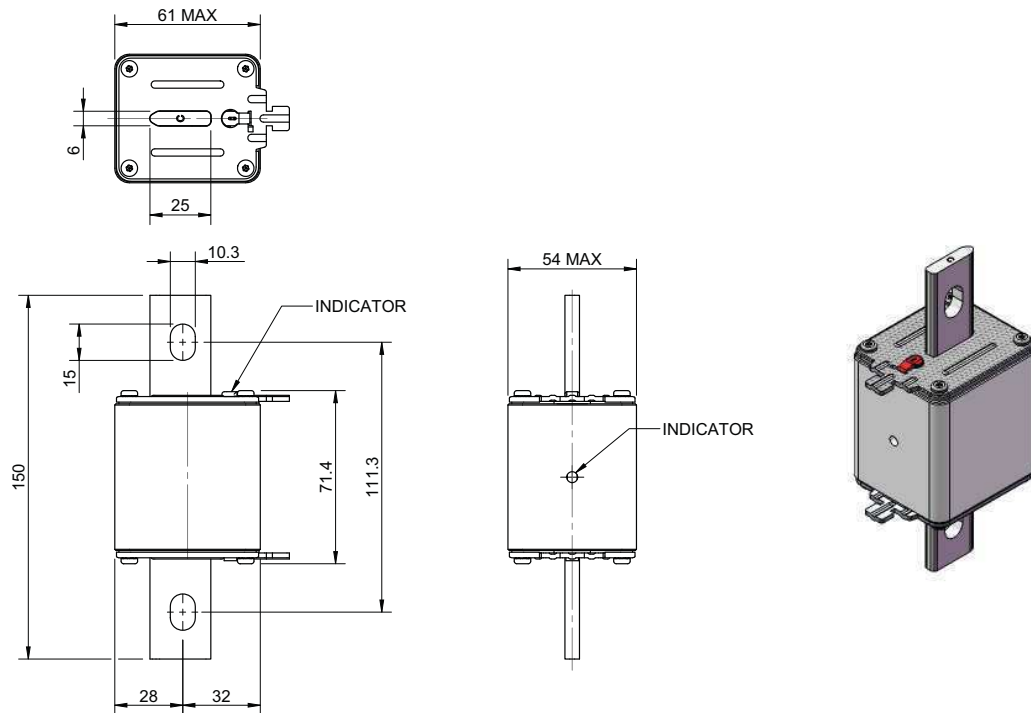
NH, PV-ANH

1000 V d.c. (IEC/UL), 32 to 400 A

Dimensions - Blade with bolt holes and lugs - mm



NH Size 1



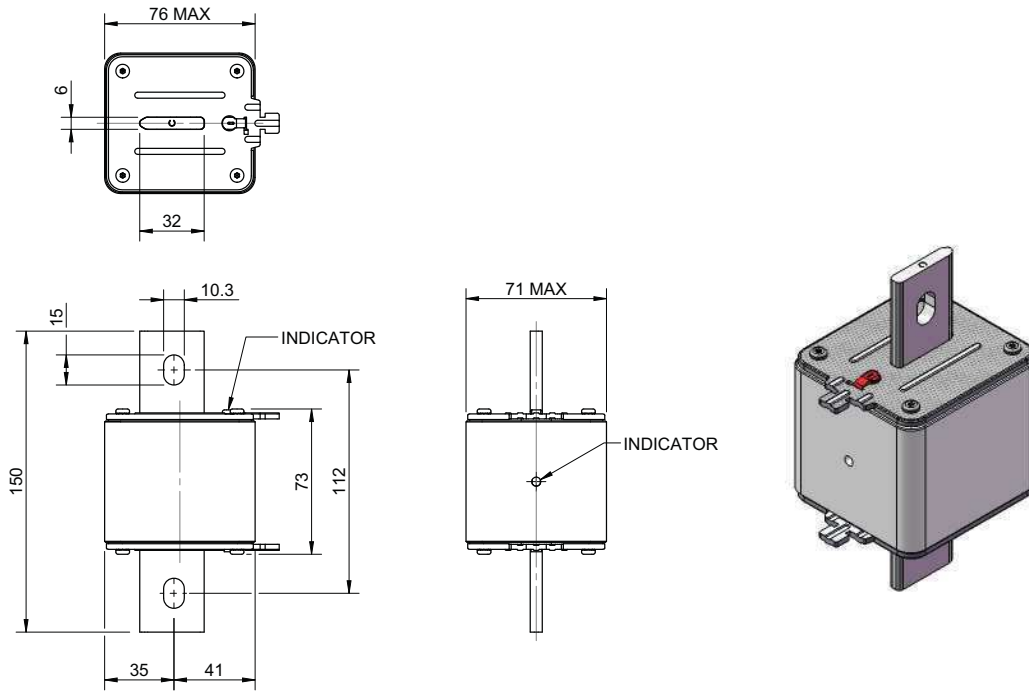
NH Size 2

Data sheet: 720133

NH, PV-ANH

1000 V d.c. (IEC/UL), 32 to 400 A

Dimensions - Blade with bolt holes and lugs - mm



NH Size 3

Flush end, PV-AF

1000 V d.c. (IEC/UL), 160 to 400 A

Specifications

Description

A range of flush end fuse links specifically designed for protecting and isolating photovoltaic array combiners and disconnects. These fuse links are capable of interrupting low overrated currents associated with faulted PV systems (reverse rated current, multi-array fault).

Technical data

Rated voltage: 1000 V d.c. (IEC and UL)

Rated current: 160-400 A

Breaking capacity: 50 kA

Operating class: gPV and UL PV fuse links

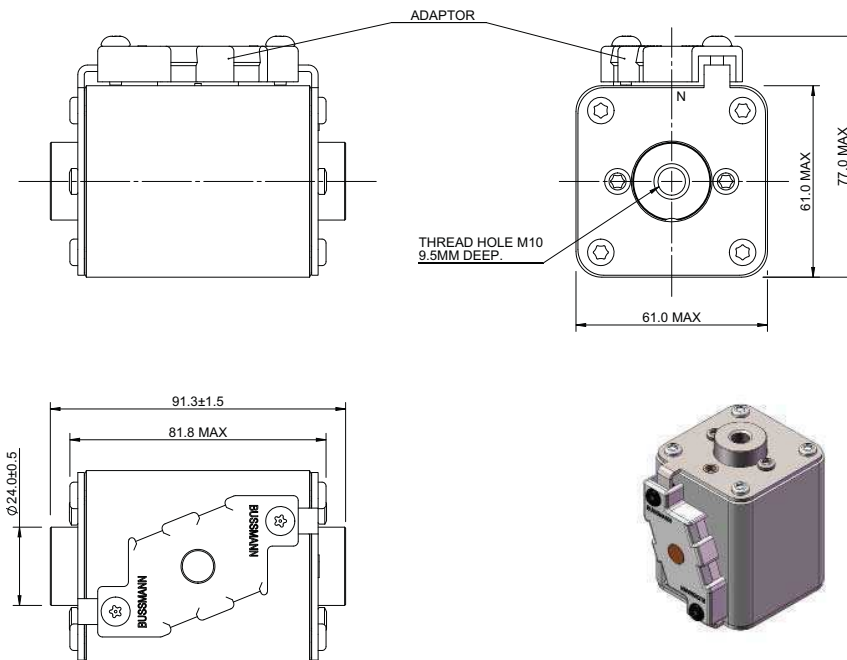


Standards / Agency information

IEC 60269-6, UL Recognised file 2579 E335324

| Fuse link type | Fuse link body size | Rated voltage | Rated current (Amps) | I ² t (A ² Sec) | | Watts loss (W) | | Catalogue numbers |
|----------------|---------------------|----------------------|----------------------|---------------------------------------|----------------------|--------------------|----------------|-------------------|
| | | | | Pre-arcing | Total at 1000 V d.c. | 0.8 I _n | I _n | |
| Flush end | 2 | 1000 V d.c. (IEC/UL) | 160 | 4600 | 37,000 | 15 | 30 | PV-160AF2 |
| | | | 200 | 9500 | 76,000 | 17 | 34 | PV-200AF2 |
| | | | 250 | 17,000 | 136,000 | 19 | 38 | PV-250AF2 |
| | 3 | | 315 | 27,000 | 240,000 | 30 | 49 | PV-315AF3 |
| | | | 355 | 37,000 | 350,000 | 31 | 51 | PV-355AF3 |
| | | | 400 | 61,500 | 550,000 | 32 | 52 | PV-400AF3 |

Dimensions - mm



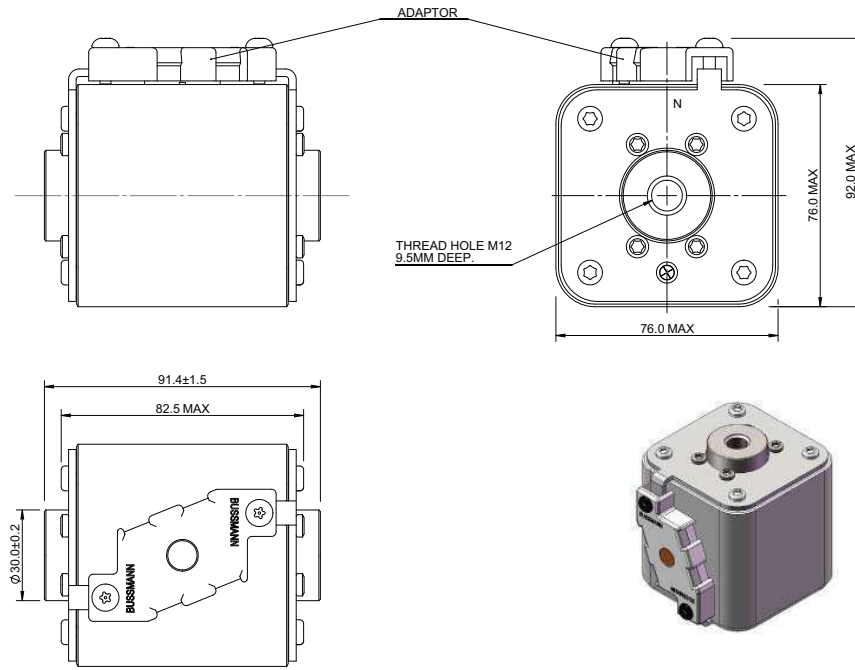
NH Size 2

Data sheet: 10370

Flush end, PV-AF

1000 V d.c. (IEC/UL), 160 to 400 A

Dimensions - mm



NH Size 3

XL Style, PV-XL

1000-1500 V d.c. (IEC/UL), 50 to 600 A

Specifications

Description

A range of XL package bladed fuse links specifically designed for protecting and isolating photovoltaic array combiners and disconnects. These fuse links are capable of interrupting low overrated currents associated with faulted PV systems (reverse rated current, multi-array fault).

Technical data

Rated voltage:

- 1000 V d.c. (IEC and UL 63 to 600 A)
- 1200 V d.c. (IEC and UL 160 A)
- 1500 V d.c. (IEC and UL 50 to 400 A)

Rated current: 50-600 A

Breaking capacity:

- Size 01 and 3: 50 kA at 1000 V d.c., 30 kA at 1500 V d.c.
- Size 1 and 2: 33 kA at 1000 V d.c., 30 kA at 1500 V d.c.

Operating class: gPV and UL PV fuse links

Standards / Agency information

IEC 60269-6, UL Recognised file 2579 E335324, RoHS compliant, pending: CCC.



| Fuse link body size | Rated voltage | Rated current (Amps) | I ² t (A ² Sec) | | Watts loss (W) | | Catalogue numbers | |
|---------------------|----------------------|----------------------|---------------------------------------|----------------------|--------------------|----------------|-------------------|----------------|
| | | | Pre-arcing | Total at 1000 V d.c. | 0.8 I _n | I _n | Bladed version | Bolted version |
| 01 | 1000 V d.c. (IEC/UL) | 63 | 260 | 1900 | 13 | 24 | PV-63A-01XL | PV-63A-01XL-B |
| | | 80 | 490 | 3600 | 17 | 29 | PV-80A-01XL | PV-80A-01XL-B |
| | | 100 | 870 | 6300 | 18 | 32 | PV-100A-01XL | PV-100A-01XL-B |
| | | 125 | 1930 | 13,900 | 20 | 40 | PV-125A-01XL | PV-125A-01XL-B |
| | | 160 | 3900 | 28,100 | 22 | 44 | PV-160A-01XL | PV-160A-01XL-B |
| 1 | 1000 V d.c. (IEC/UL) | 200 | 9400 | 27,260 | 31 | 60 | PV-200A-1XL | PV-200A-1XL-B |
| | | 160 | 2780 | 21,000 | 25 | 44 | PV-160A-2XL | PV-160A-2XL-B |
| | | 200 | 4950 | 37,000 | 28 | 50 | PV-200A-2XL | PV-200A-2XL-B |
| 2 | 1000 V d.c. (IEC/UL) | 250 | 9450 | 70,000 | 34 | 60 | PV-250A-2XL | PV-250A-2XL-B |
| | | 315 | 16,600 | 123,000 | 40 | 66 | PV-315A-2XL | PV-315A-2XL-B |
| | | 355 | 26,000 | 192,000 | 42 | 68 | PV-355A-2XL | PV-355A-2XL-B |
| | | 350 | 31,000 | 161,200 | 40 | 65 | PV-350A-3L | PV-350A-3L-B |
| 3 | 1000 V d.c. (IEC/UL) | 400 | 44,500 | 231,400 | 48 | 82 | PV-400A-3L | PV-400A-3L-B |
| | | 500 | 85,000 | 442,000 | 50 | 85 | PV-500A-3L | PV-500A-3L-B |
| | | 600 | 137,000 | 712,400 | 80 | 108 | PV-600A-3L | PV-600A-3L-B |

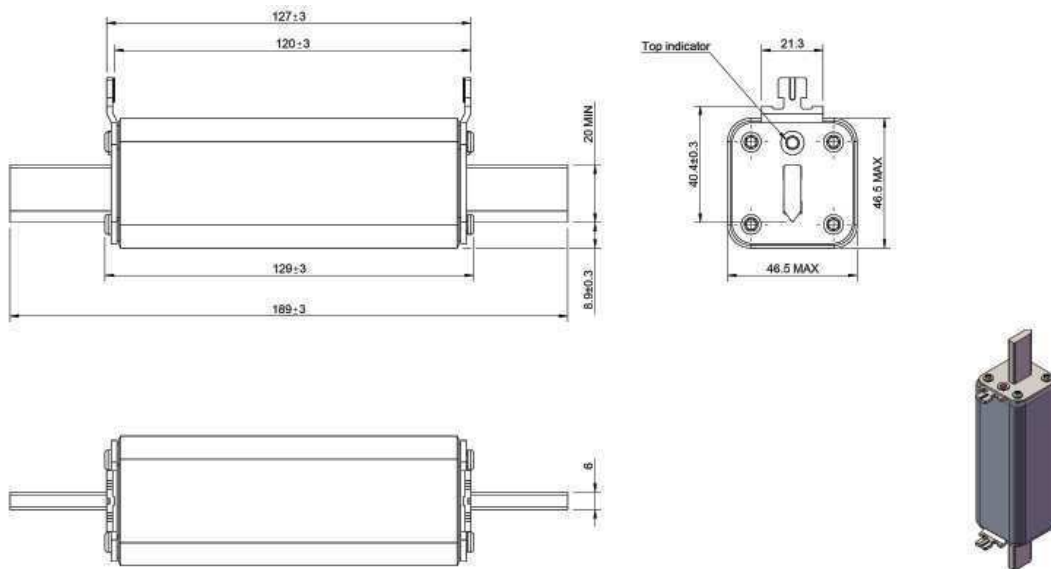
XL Style, PV-XL

1000-1500 V d.c. (IEC/UL), 50 to 600 A

| Fuse link body size | Rated voltage | Rated current (Amps) | I ² t (A ² Sec) | | Watts loss (W) | | Catalogue numbers — 1500 V d.c. ¹ | |
|---------------------|----------------------|----------------------|---------------------------------------|------------------------------|--------------------|----------------|--|--------------------|
| | | | Pre-arcing | Total at 1500 V ¹ | 0.8 I _n | I _n | Bladed version | Bolted version |
| 01 | 1500 V d.c. (IEC/UL) | 50 | 175 | 1000 | 14 | 25 | PV-50 A-01XL-15 | PV-50 A-01XL-B-15 |
| | | 63 | 362 | 2250 | 15 | 26 | PV-63A-01XL-15 | PV-63A-01XL-B-15 |
| | | 80 | 565 | 3300 | 19 | 35 | PV-80 A-01XL-15 | PV-80 A-01XL-B-15 |
| | | 100 | 1100 | 6600 | 22 | 40 | PV-100 A-01XL-15 | PV-100 A-01XL-B-15 |
| | | 125 | 2200 | 10,500 | 23 | 42 | PV-125A-01XL-15 | PV-125A-01XL-B-15 |
| 1 | 1200 V d.c. (IEC/UL) | 160 | 5000 | 24,000 ¹ | 26 | 52 | PV-160 A-01XL-12 | PV-160 A-01XL-B-12 |
| | | 100 | 1250 | 6000 | 24 | 43 | PV-100 A-1XL-15 | PV-100 A-1XL-B-15 |
| | | 125 | 1950 | 9360 | 25 | 52 | PV-125A-1XL-15 | PV-125A-1XL-B-15 |
| 1 | 1500 V d.c. (IEC/UL) | 160 | 4200 | 20,160 | 30 | 58 | PV-160 A-1XL-15 | PV-160 A-1XL-B-15 |
| | | 200 | 9400 | 45,120 | 31 | 61 | PV-200 A-1XL-15 | PV-200 A-1XL-B-15 |
| | | 250 | 16,600 | 85,000 | 40 | 70 | PV-250 A-2XL-15 | PV-250 A-2XL-B-15 |
| 2 | 1500 V d.c. (IEC/UL) | 200 | 8800 | 51,000 | 32 | 57 | PV-200 A-2XL-15 | PV-200 A-2XL-B-15 |
| | | 250 | 16,600 | 85,000 | 40 | 70 | PV-250 A-2XL-15 | PV-250 A-2XL-B-15 |
| | | 315 | 38,000 | 160,000 | 36 | 66 | PV-315A-3L-15 | PV-315A-3L-B-15 |
| 3 | 1500 V d.c. (IEC/UL) | 355 | 44,500 | 184,000 | 44 | 80 | PV-355A-3L-15 | PV-355A-3L-B-15 |
| | | 400 | 58,000 | 240,000 | 49 | 91 | PV-400 A-3L-15 | PV-400 A-3L-B-15 |

¹1200 V d.c. for 160 A.

Dimensions - mm



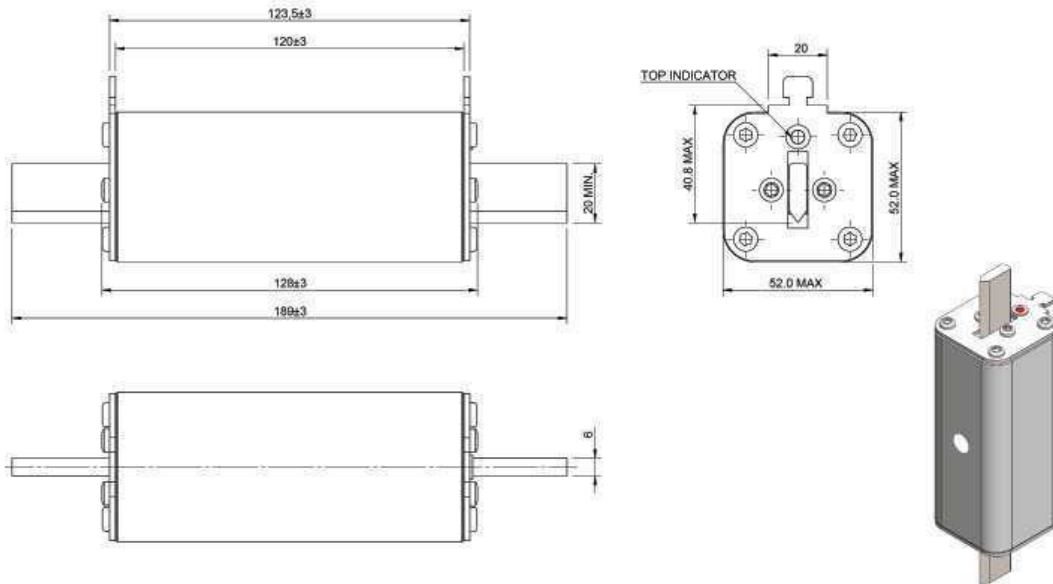
Bladed - size 01

Data sheet: 720134

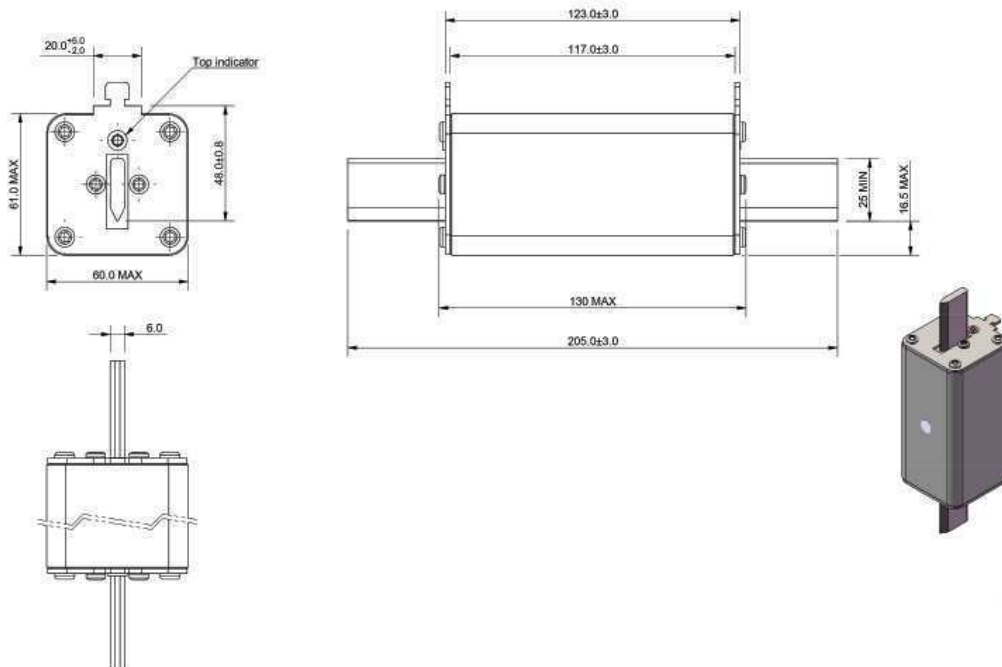
XL Style, PV-XL

1000-1500 V d.c. (IEC/UL), 50 to 600 A

Dimensions - mm



Bladed - size 1

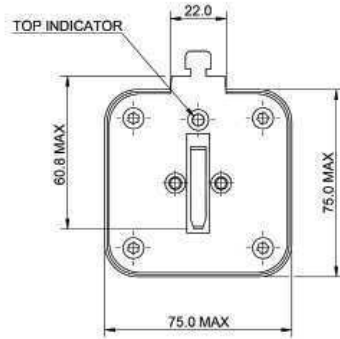
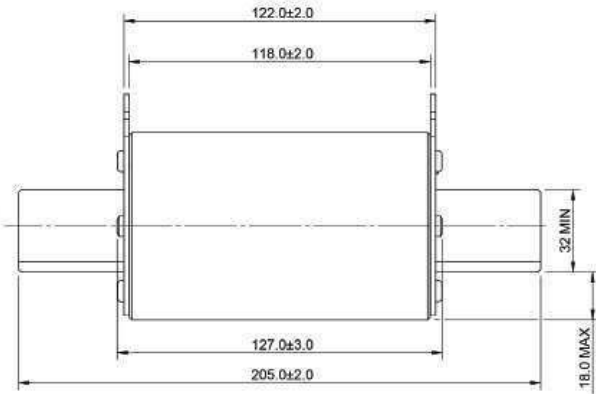


Bladed - size 2

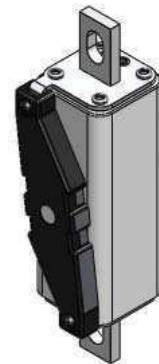
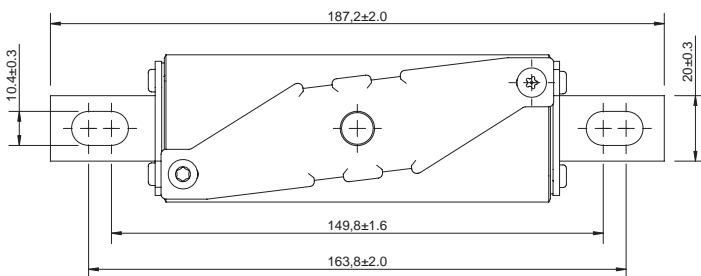
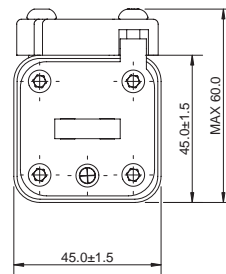
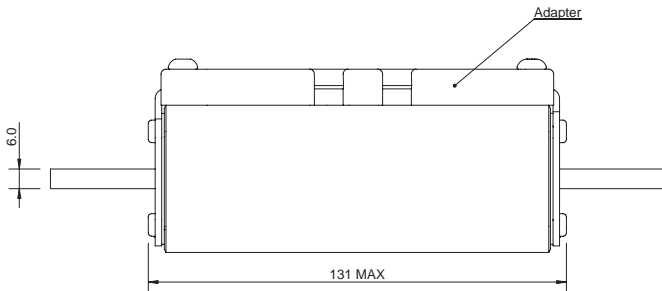
XL Style, PV-XL

1000-1500 V d.c. (IEC/UL), 50 to 600 A

Dimensions - mm



Bladed - size 3



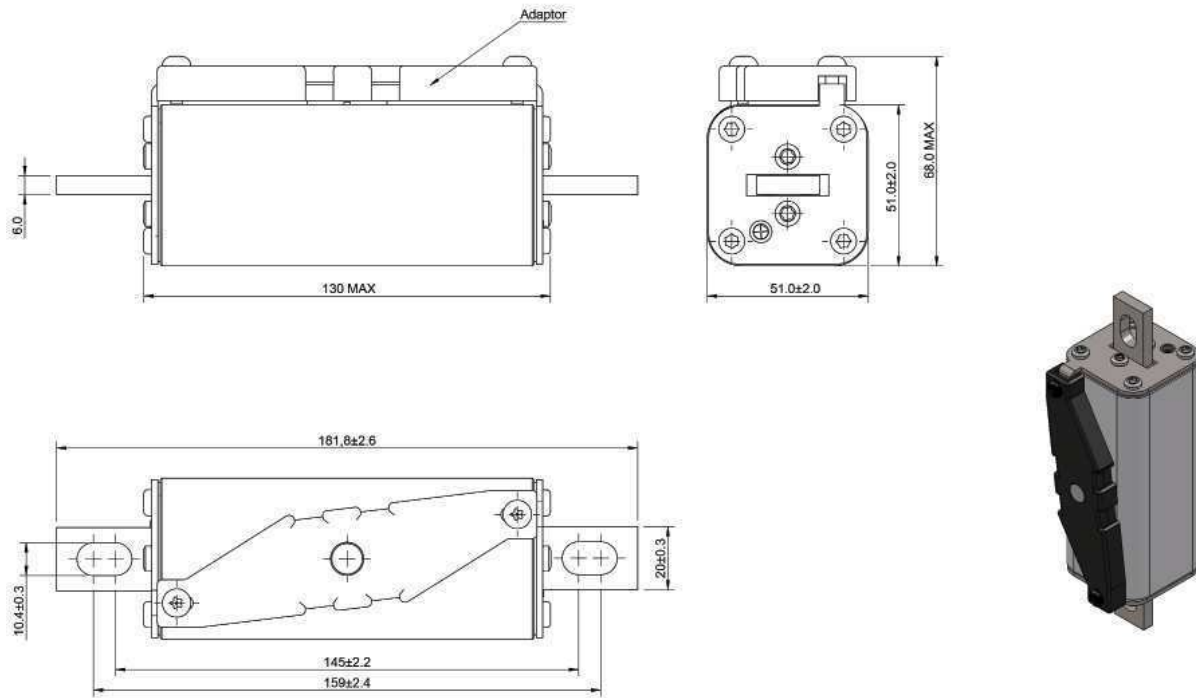
Bolted - Size 01

Data sheet: 720134

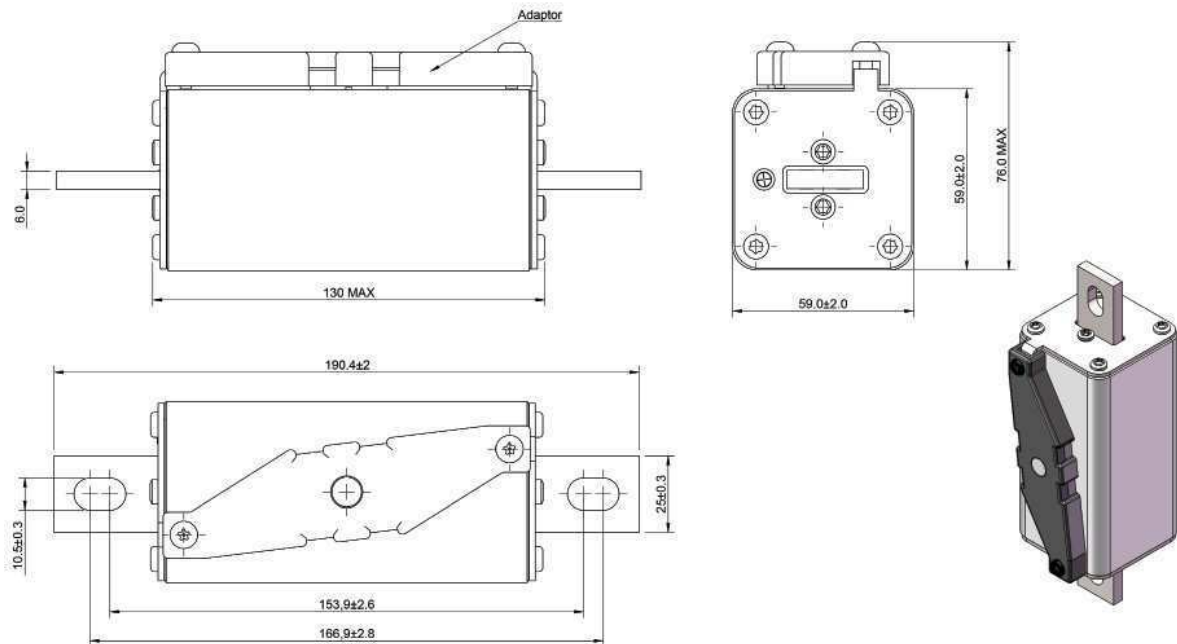
XL Style, PV-XL

1000-1500 V d.c. (IEC/UL), 50 to 600 A

Dimensions - mm



Bolted - Size 1



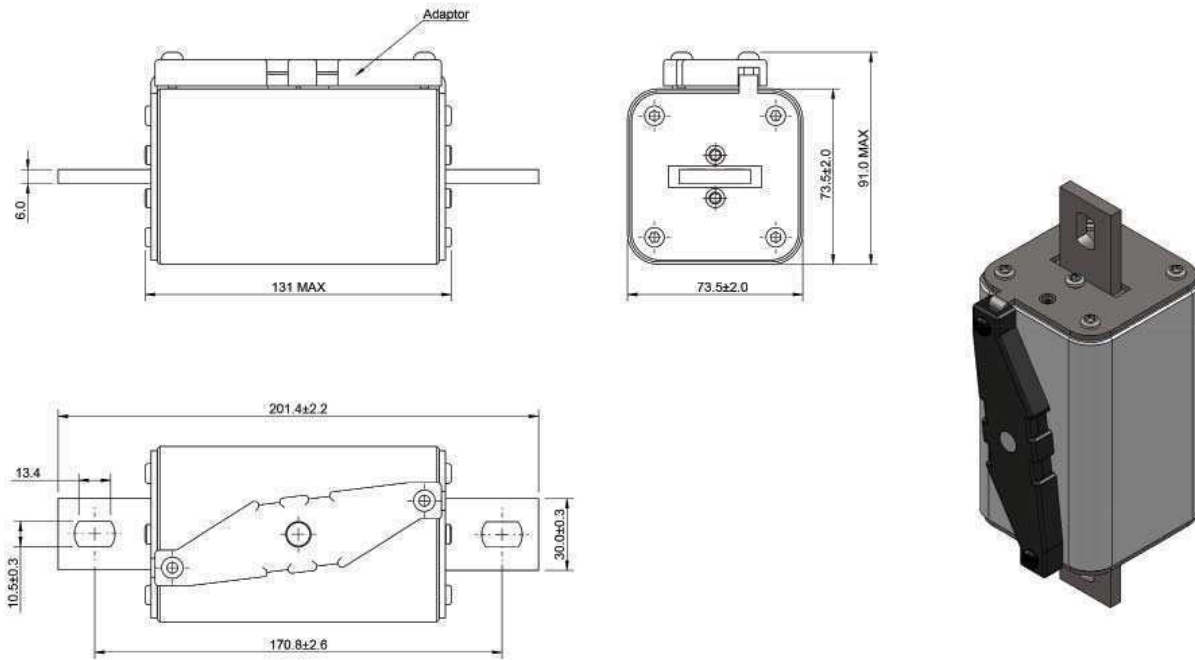
Bolted - Size 2

Data sheet: 720134

XL Style, PV-XL

1000-1500 V d.c. (IEC/UL), 50 to 600 A

Dimensions - mm



Bolted - Size 3

Fuse bases for North American, British and square body fuse links

Modular style

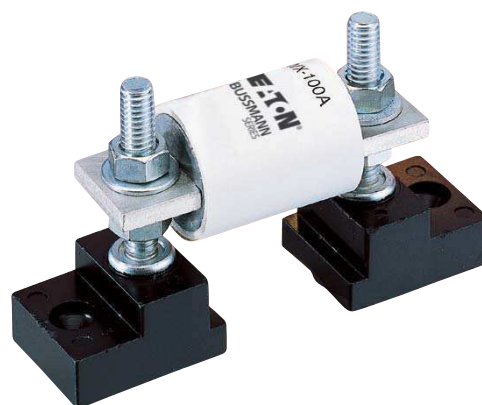
Description

Eaton's Bussmann series offers a comprehensive line of fuse bases that provide the user with design and manufacturing flexibility. Two identical half bases make up a Bussmann series modular fuse base. These 'split' units can be panel mounted any distance apart to accommodate any length fuse.

1 - Stud type

The simpler design is the C5268 modular fuse base. With this design, the fuse terminal and cable (with termination) are mounted on the same stud, minimizing labor needed for installation. The stud type base is available in the configurations shown in the table below.

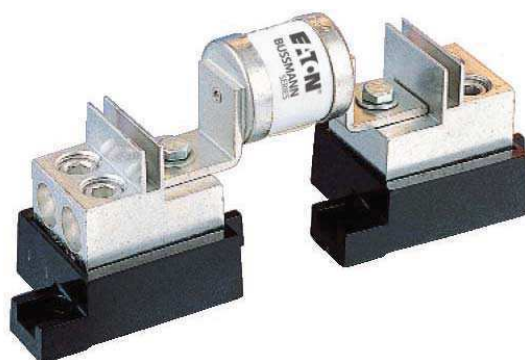
| Catalogue numbers | Max fuse amp rating | Stud height (in) | Stud dia. & threads |
|-------------------|---------------------|------------------|---------------------|
| C5268-1 | 200 | 1 | 5/16"-18 |
| C5268-2 | 200 | 1.75 | 5/16"-18 |
| C5268-3 | 200 | 0.75 | 5/16"-18 |
| C5268-4 | 100 | 1 | 1/4"-20 |
| C5268-5 | 100 | 1.75 | 1/4"-20 |



2 - Connector Type

Eaton's Bussmann series also offers a modular style fuse base that utilizes a tin-plated connector for wire termination and heat dissipation) and a plated-steel stud (for fuse mounting). The connector type fuse base is available in the configurations shown below. Consult Eaton's Bussmann business for additional product details.

| Catalogue numbers | Max rated voltage | Max fuse Amp rating |
|-------------------|-------------------|---------------------|
| 1BS101 | 600 | 100 |
| 1BS102 | 600 | 400 |
| 1BS103 | 600 | 400 |
| 1BS104 | 600 | 600 |



3 - BH

BH fuse blocks provide a wide range of mounting configurations for Bussmann High Speed semi-conductors fuse links. BH fuse blocks have a Short-Circuit rated current rating of any installed fuse up to 200 kA RMS Sym.

| Catalogue numbers | Max rated voltage | Max fuse Amp rating |
|-------------------|-------------------|---------------------|
| BH-0 | 700 | 100 |
| BH-1 | 2500 | 400 |
| BH-2 | 5000 | 600 |
| BH-3 | 1250 | 700 |



Data sheets: 1200 (BH-0), 1201 (BH-1), 1202 (BH-2), 1203 (BH-3), 1206 (1BS101), 1207 (1BS102), 1208 (1BS103), 1209 (1BS104)

Fuse bases for square body fuse links

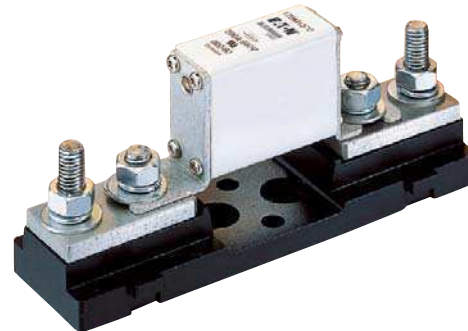
Fixed center fuse bases for DIN 43653 fuse links

Description

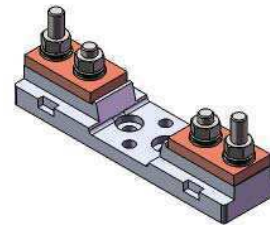
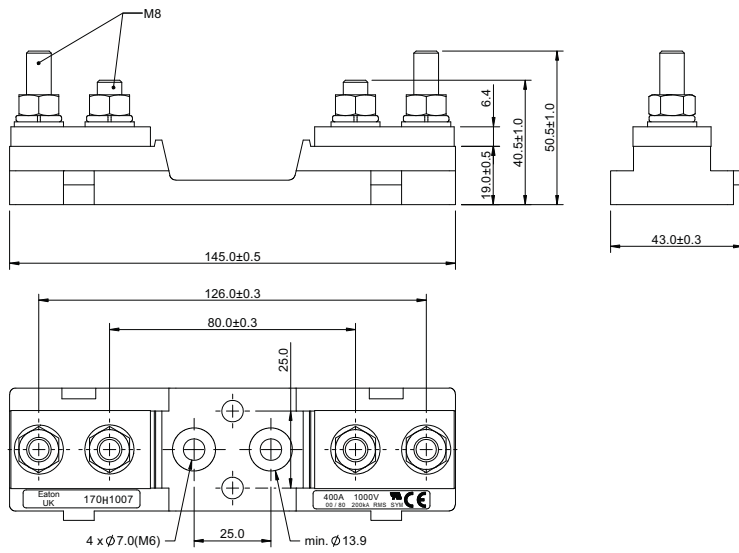
Fuse bases (blocks) to be used with DIN 43653 square body fuse links with centre distances of 80 and 110mm. Available for sizes 000, 00, 1*, 1, 2 and 3.

Sizes 000 to 00 Fuse bases

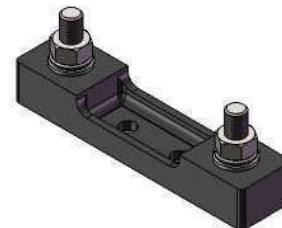
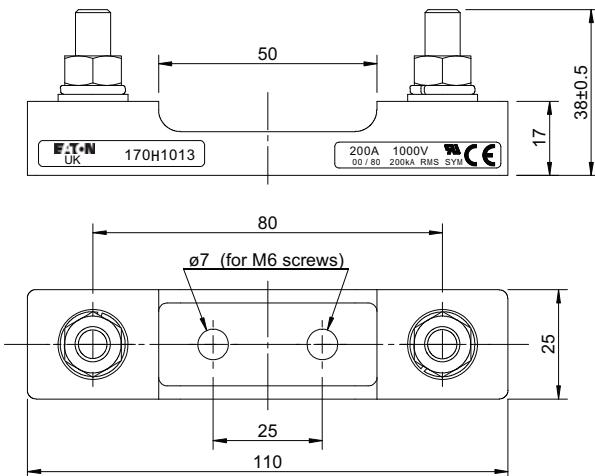
| Catalogue numbers | Max rated voltage (Volts) | Max fuse Amp rating (Amps) | Centre distance (mm) | Fuse sizes |
|-------------------|---------------------------|----------------------------|----------------------|------------|
| 170H1007 | 1000 | 400 | 80 | 00, 000 |
| 170H1013 | 690 | 200 | 80 | 0000, 000 |



Dimensions - mm



170H1007



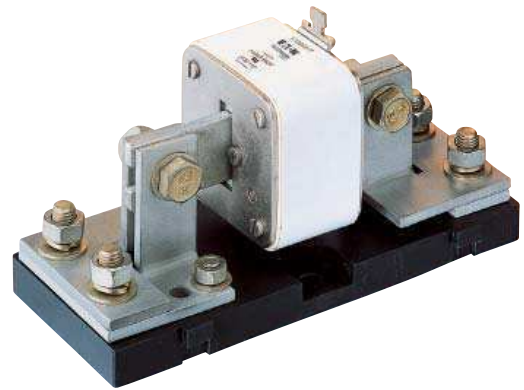
170H1013

Fuse bases for square body fuse links

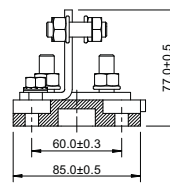
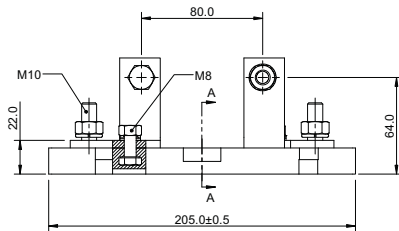
Fixed center fuse bases for DIN 43653 fuse links

Sizes 1* to 3

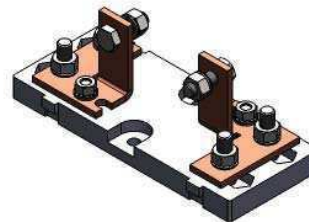
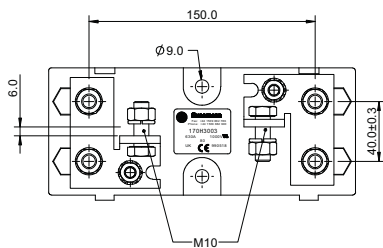
| Catalogue numbers | Max rated voltage (Volts) | Max fuse Amp rating (Amps) | Centre distance (mm) |
|-------------------|---------------------------|----------------------------|----------------------|
| 170H3003 | 1000 | 630 | 80 |
| 170H3004 | 1000 | 1250 | 80 |
| 170H3005 | 1400 | 630 | 110 |
| 170H3006 | 1400 | 1250 | 110 |



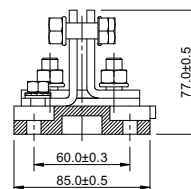
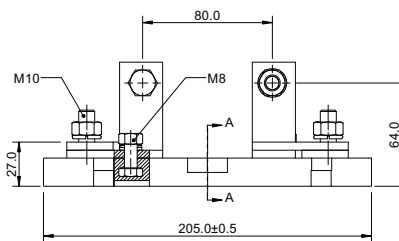
Dimensions - mm



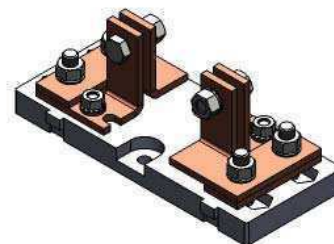
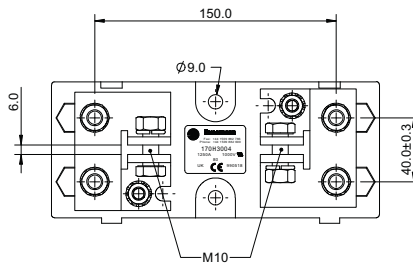
SECTION A-A



170H3003



SECTION A-A

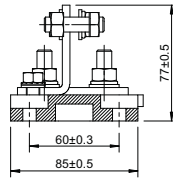
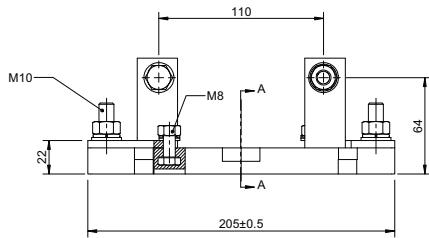


170H3004

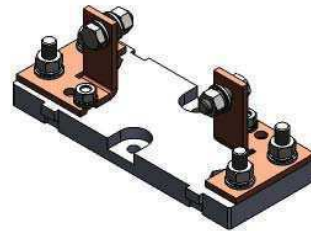
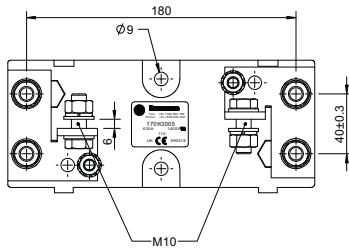
Fuse bases for square body fuse links

Fixed center fuse bases for DIN 43653 fuse links

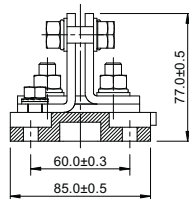
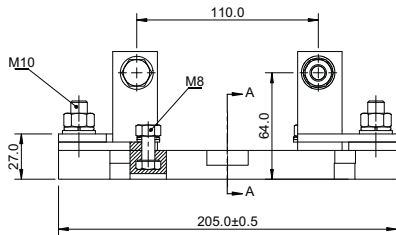
Dimensions - mm



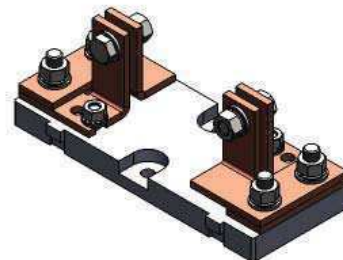
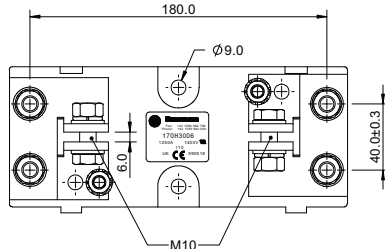
SECTION A-A



170H3005



SECTION A-A



170H3006

Fuse links with higher current ratings than 1250 A can be used with 170H3004 or 170H3006 if the maximum load current is derated according to the table below.

| Fuse amp rating | Max. Amp load in fuse base |
|-----------------|----------------------------|
| 1400 | 1325 |
| 1500 | 1400 |
| 1600 | 1500 |
| 1800 | 1650 |
| 2000 | 1800 |

NH fuse bases for NH style photovoltaic fuse links

1500 V d.c. (IEC), 1000 V d.c. (UL/CSA)

250 to 630 A, sizes 1 to 3

Description

Sizes 1 to 3 NH Fuse bases specifically designed for use with the Bussmann series range of NH PV (Photovoltaic) fuse links.

Technical data

Rated voltage:

- 1500 V d.c. (IEC)
- 1000 V d.c. (UL/CSA)

Rated current:

- 250 A (SD1)
- 400 A (SD2)
- 630 A (SD3)

Fuse base size: 1 to 3

Compatible fuse links: PV-(amps)ANH(size), see pages 111-116

Standards / Agency information

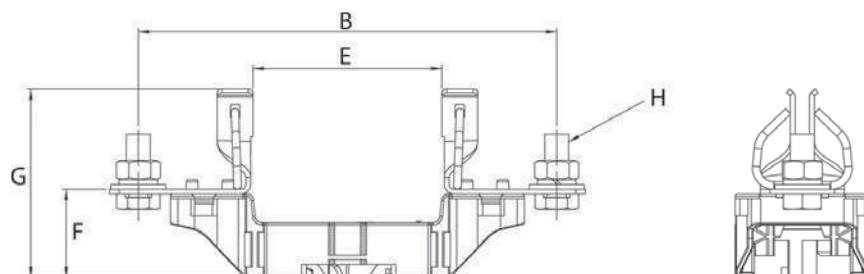
IEC 60269-1, UL Listed - UL File #E348242, CSA file #47235

Accessories:

Microswitches - 170H0236 or 170H0238, BVL50
IP20 Finger-Safe Protection Kit - TD1-IP20, TD2-IP20, TD3-IP20.



Dimensions - mm



1-pole, Sizes 1, 2 and 3

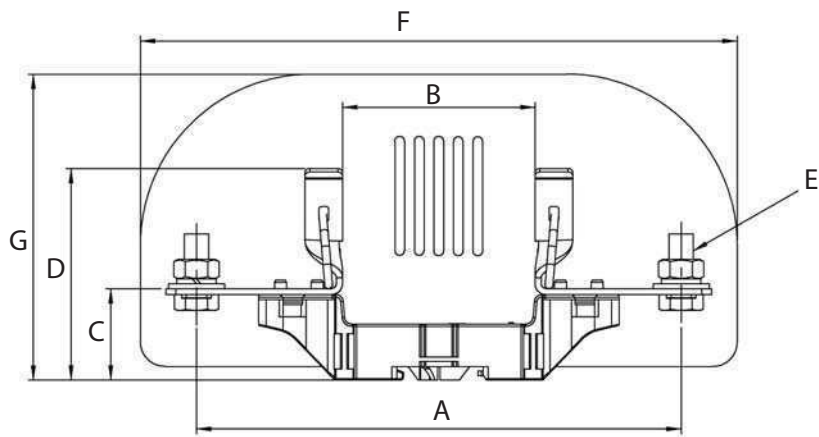
| Catalogue numbers | Poles/Type | A | B | C | D | E | F | G | H | I | J | K |
|-------------------|------------|-----|-----|----|----|----|------|----|--------|----|----|----|
| SD1-D-PV | 1-pole | 199 | 175 | 56 | 35 | 79 | 37 | 78 | M10x25 | 25 | 10 | 30 |
| SD2-D-PV | 1 pole | 224 | 199 | 56 | 35 | 79 | 37.5 | 86 | M10x25 | 25 | 10 | 30 |
| SD3-D-PV | 1-pole | 239 | 209 | 56 | 36 | 82 | 37.5 | 88 | M12x30 | 25 | 10 | 30 |

Data sheet: 720149

1500 V d.c. (IEC), 1000 V d.c. (UL/CSA)

250 to 630 A, sizes 1 to 3

Dimensions - mm



With phase barriers 1-pole sizes 1, 2 and 3

| Catalogue numbers | Poles/Type | A | B | C | D | E | F | G |
|-------------------|------------|-----|----|------|----|--------|-----|-------|
| SD1-D-PV | 1-pole | 175 | 79 | 37 | 78 | M10x25 | 245 | 125.5 |
| SD2-D-PV | 1 pole | 199 | 79 | 37.5 | 86 | M10x25 | 245 | 125.5 |
| SD3-D-PV | 1-pole | 209 | 82 | 37.5 | 88 | M12x30 | 260 | 137.5 |

XL fuse bases for XL style photovoltaic fuse links

1500 V d.c. (IEC), 250 to 630 A, sizes 1 to 3

Description

Sizes 1 to 3 XL Fuse bases specifically designed for use with the Bussmann series range of XL PV (Photovoltaic) fuse links.

Technical data

Rated voltage: 1500 V d.c. (IEC)
 Rated current: 250 to 630 A
 Fuse base size: 1 to 3
 Compatible fuse links: PV XL see pages 119-124

Standards / Agency information

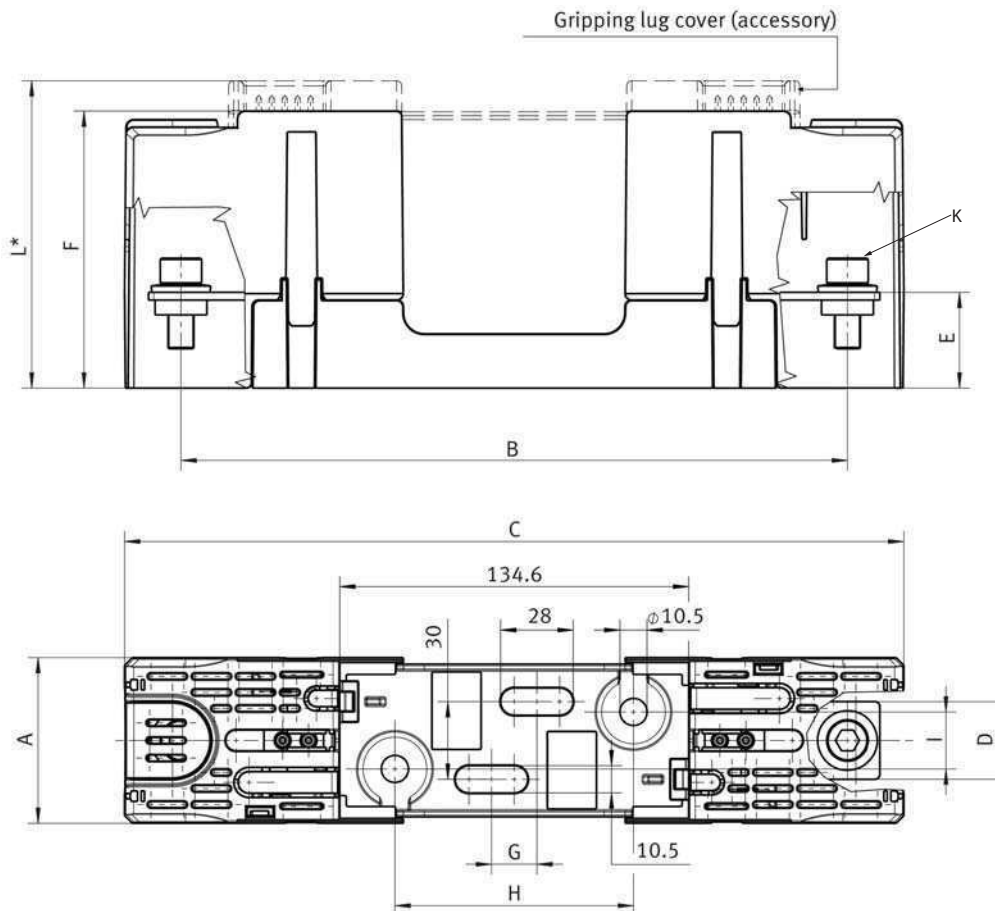
IEC 60269-1

Accessories:

Fuse extraction handle available in sizes 01XL to 3L
 Part numbers: FEH1500
 Unit packing: 1



Dimensions - mm



| Catalogue numbers | XL Style fuse link size | Maximum fuse rated current | Power acceptance | A | B | C | D | E | F | G | H | I | K | L |
|-------------------|-------------------------|----------------------------|------------------|----|-----|-------|----|----|-------|------|----|----|--------|-------|
| SB1XL-S | 01XL, 1XL | 250 | 56W | 59 | 257 | 300.5 | 30 | 37 | 102.5 | 17.5 | 92 | 22 | M10x25 | 111 |
| SB2XL-S | 2XL | 400 | 70W | 64 | 257 | 300.5 | 30 | 37 | 107 | 17.5 | 92 | 22 | M10x25 | 119 |
| SB3L-S | 3L | 630 | 96W | 80 | 270 | 328 | 40 | 38 | 122.5 | 25 | 96 | 26 | M12x30 | 134.5 |

Data sheet: 10066

Fuse bases for ferrule fuse links

BMM

600 V a.c. (UL), 30 A

Specifications

Description

Modular, open-style fuse blocks for cylindrical industrial fuse links. Versatile 35mm DIN rail or screw-to-panel mounting.

Technical data

Rated voltage: 600 V a.c. (UL)

Rated current:

- 30 A (box lug terminal)
- 20 A (with quick connector terminal)

Compatible fuse links: FWA-A10F, FWC-A10F, PVM and PV-A10F

Standards / Agency information

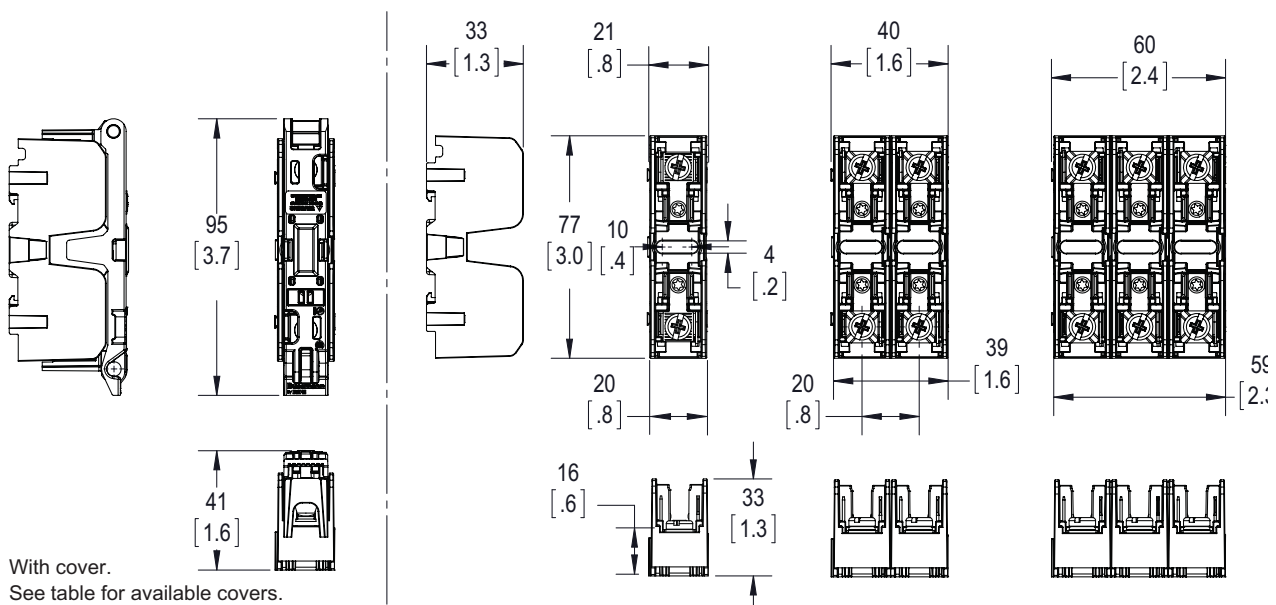
- UL Recognised E14853-IZLT2
- CSA Certified 47235-6225-01
- CE
- RoHS compliant
- Conflict mineral free
- Reach declaration available upon request



| Terminal type | | | Fuse link size | Number of poles |
|------------------------------------|---|-----------|---------------------------|-----------------|
| Screw w/quick connect ¹ | Pressure plate w/quick connect ¹ | Box lug | | |
| BMM603-1SQ | BMM603-1PQ | BMM603-1C | 10 x 38 (13/32" x 1-1/2") | 1 |
| BMM603-2SQ | BMM603-2PQ | BMM603-2C | 10 x 38 (13/32" x 1-1/2") | 2 |
| BMM603-3SQ | BMM603-3PQ | BMM603-3C | 10 x 38 (13/32" x 1-1/2") | 3 |

¹ Quick connect terminals rated for 20 A maximum.

Dimensions - mm (in)

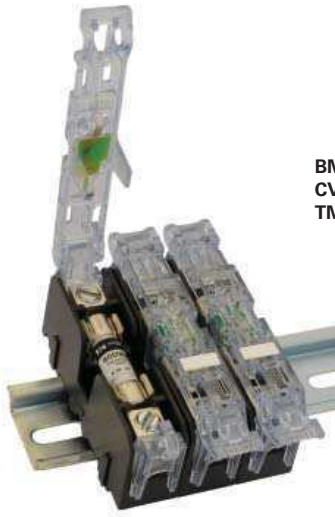


BMM

600 V a.c. (UL), 30 A

Recommended covers

| Terminal type | Cover part numbers | |
|-----------------------------------|--------------------|----------------|
| | Indicating | Non indicating |
| Box lug (CR) | CVRI-CCM | CVR-CCM |
| Screw/quick connect (SQ) | CVRI-CCM-QC | CVR-CCM-QC |
| Pressure plate/quick connect (PQ) | CVRI-CCM-QC | CVR-CCM-QC |



**BMM603-3C with
CVRI-CCM covers and
TM27CB marker labels**

JM70100

700 V a.c. (UL), 100 A

Specifications

Description

Modular, open-style fuse blocks for cylindrical industrial fuse links. Versatile 35mm DIN rail or screw-to-panel mounting.

Technical data

Rated voltage: 700 V a.c. (UL)

Rated current: 100 A

Compatible fuse links: FWP-A22F(I) see page 29

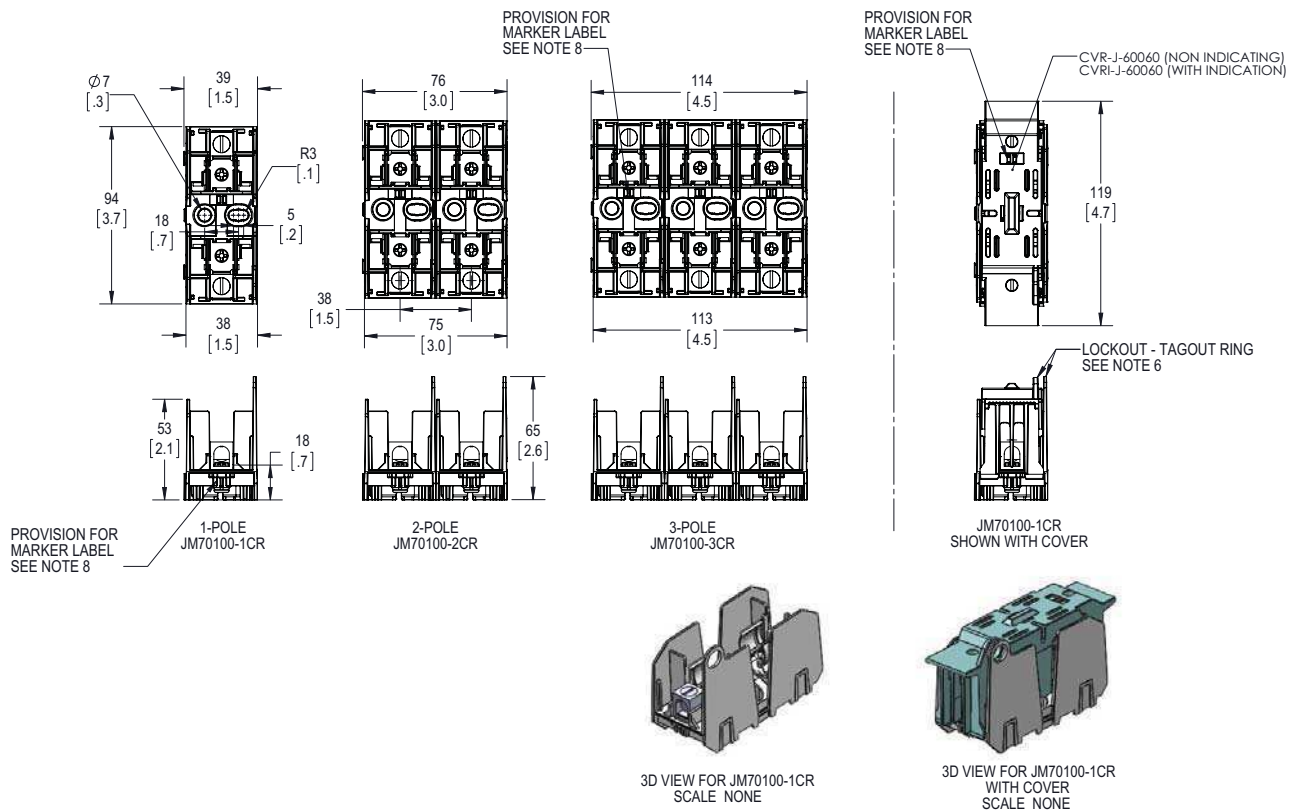
Standards / Agency information

UL Recognised, Guide IZTL2, File 14853.



| Terminal type | Fuse link size | Number of poles |
|-----------------------------|----------------|-----------------|
| Box lug with retaining clip | | |
| JM70100-1CR | | 1 |
| JM70100-2CR | 22 x 58 mm | 2 |
| JM70100-3CR | | 3 |

Dimensions - mm (in)



Modular knifeblade fuse blocks

JM60

600 V a.c. (UL), 70 to 600 A

Specifications

Description

Industry's first modular fuse block simplifies design and enhances safety

Technical data

Rated voltage: 600V a.c. (UL)
 Rated current: see table below
 Compatible fuse links: DFJ (see page 75)



Standards / Agency information

Blocks

- UL - Listed cULus E14853 - IZLT & IZLT7
- CSA - Certified 47235-6225-01

Covers

- UL - Listed UL E58836 - JDVS2
- CSA - Certified 47235-6225-01

| Catalogue numbers | | | | | | |
|-------------------|----------------------------|-------------------------|---------------|----------------------|-----------------|---------------------------------------|
| Class J Block | Covers without indication* | Covers with indication* | Rated voltage | Rated current (Amps) | Number of poles | Compatible Bussmann series fuse links |
| JM60100-1CR | | | | | 1 | |
| JM60100-2CR | CVR-J-60100 | CVRI-J-60100 | 600 V a.c. | 70-100 | 2 | |
| JM60100-3CR | | | | | 3 | |
| JM60200-1CR | | | | | 1 | |
| JM60200-2CR | CVR-J-60200 | CVRI-J-60200 | 600 V a.c. | 110-200 | 2 | |
| JM60200-3CR | | | | | 3 | |
| JM60400-1CR | | | | | 1 | DFJ |
| JM60400-2CR | CVR-J-60400-M | CVRI-J-60400-M | 600 V a.c. | 225-400 | 2 | |
| JM60400-3CR | | | | | 3 | |
| JM60600-1CR | | | | | 1 | |
| JM60600-2CR | CVR-J-60600 | CVRI-J-60600 | 600 V a.c. | 450-600 | 2 | |
| JM60600-3CR | | | | | 3 | |

* Covers sold separately. Blown fuse indication requires 90 volts minimum and closed circuit to operate.

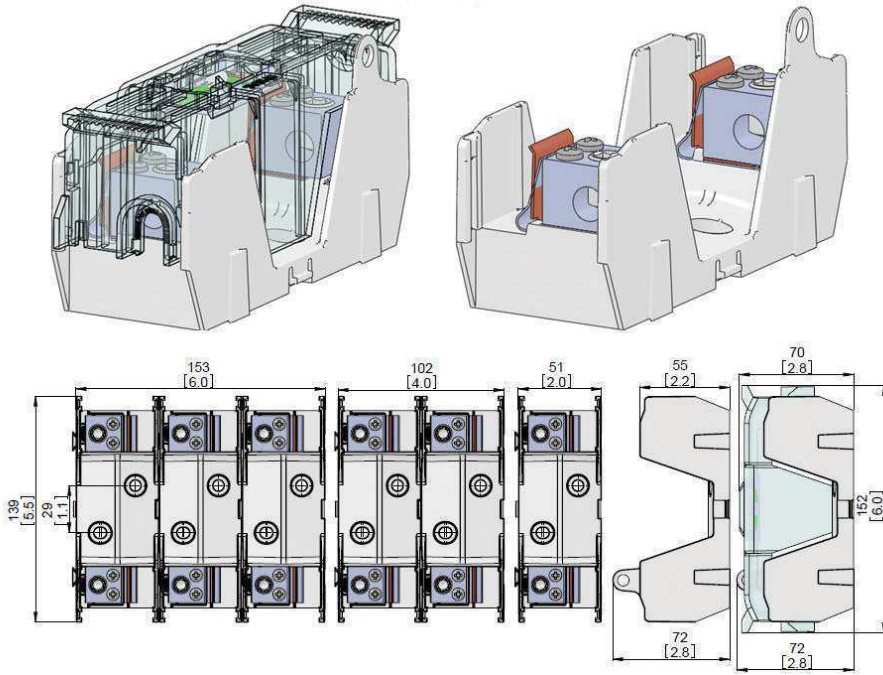
Wire range and torque values

| Catalogue numbers | Wire range (solid and stranded) | Wire range (fine stranded) | Torque N•m (Lb-in) |
|-------------------|---|----------------------------|----------------------------------|
| JM60100-1CR | 1/0-3 AWG; (2) Cu 4-6 AWG | 1-3 AWG | 6.2 (55) |
| JM60100-2CR | 4-6 AWG; (2) Cu 8 AWG | 4-6 AWG | 5.6 (50) |
| JM60100-3CR | 8 AWG; (2) Cu 10-14 AWG Cu 10-14 AWG; Al 10-12 AWG | 8 AWG | 5.1 (45) 4.5 (40) 4.0 (35) |
| JM60200-1CR | | | |
| JM60200-2CR | 250 MCM -1 AWG | 3/0-1 AWG | 42 (375) |
| JM60200-3CR | 2-6 AWG; (2) Cu 2-6 AWG | 2-6 AWG | 31 (275) |
| JM60400-1CR | 600kcmil | | 57 (500) |
| JM60400-2CR | 500kcmil-4 AWG (2) Cu 3/0 - 4 AWG | N/A | 51 (450) 57 (500) |
| JM60400-3CR | (2) Al 3/0 - 4 AWG | | 34 (300) |
| JM60600-1CR | | | |
| JM60600-2CR | (2) 500kcmil-4 AWG | N/A | 51 (450) |

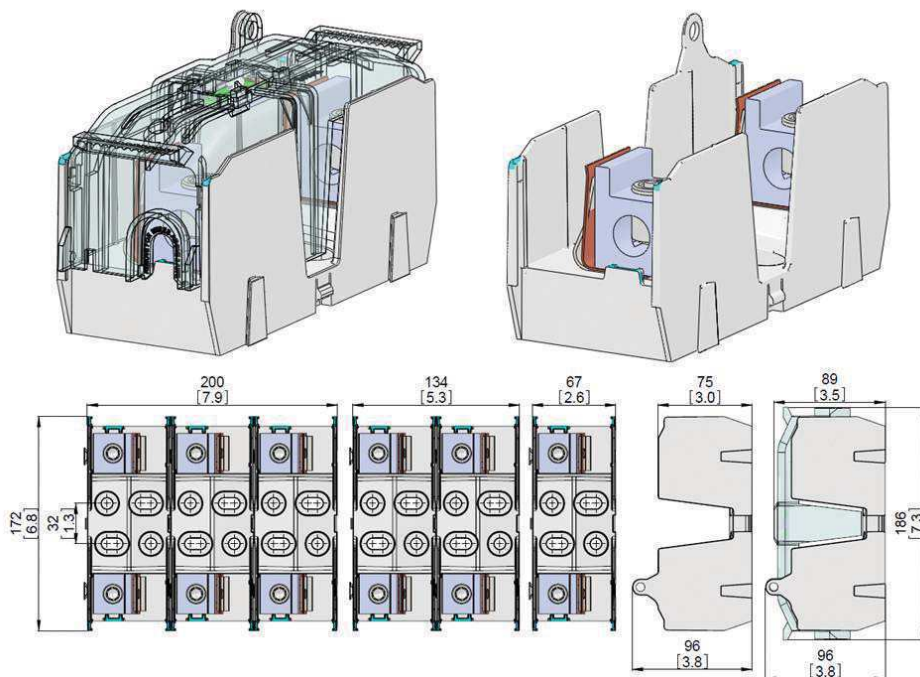
JM60

600 V a.c. (UL), 70 to 600 A

Dimensions - mm (in)



100 A

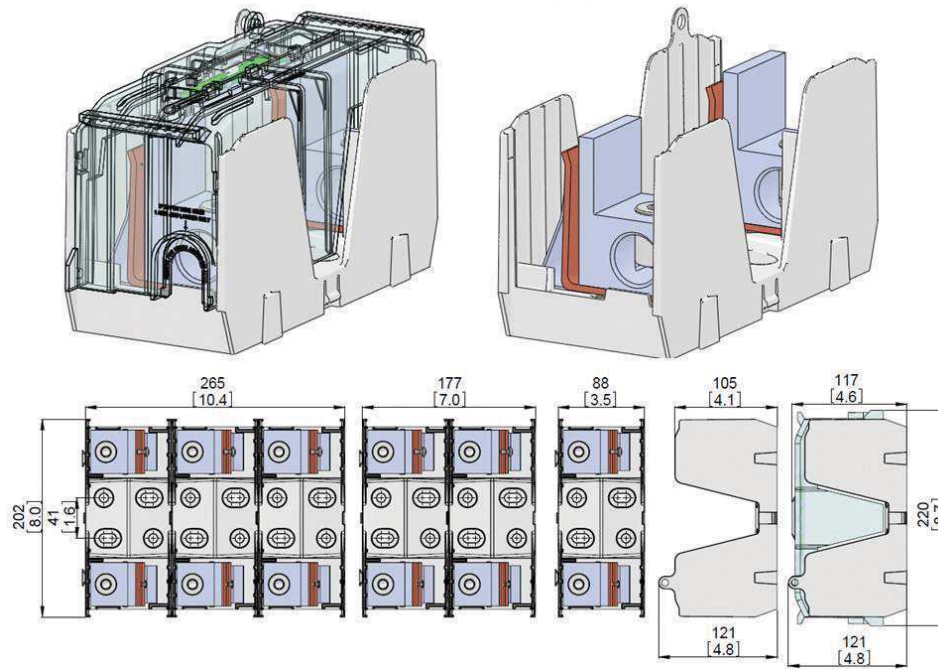


200 A

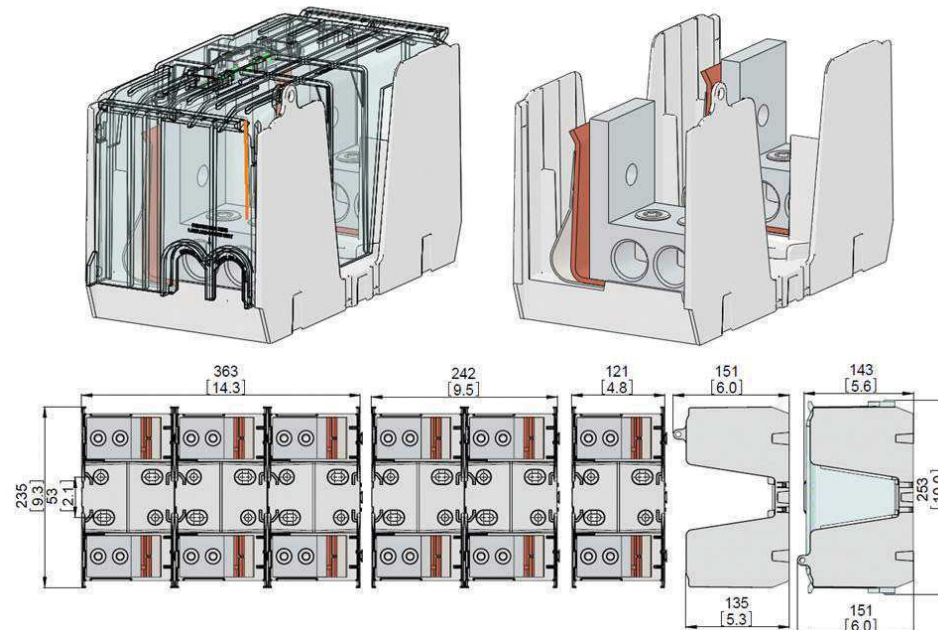
JM60

600 V a.c. (UL), 70 to 600 A

Dimensions - mm (in)



400 A



600 A

Modular fuse holders

10 x 38 mm, CH

Specifications

Description

Compact DIN-Rail mounting fuse holders for 10 x 38 mm cylindrical fuse links

Technical data

Rated voltage & Rated current: see tables below

Compatible fuse links

See table below

Standards / Agency information

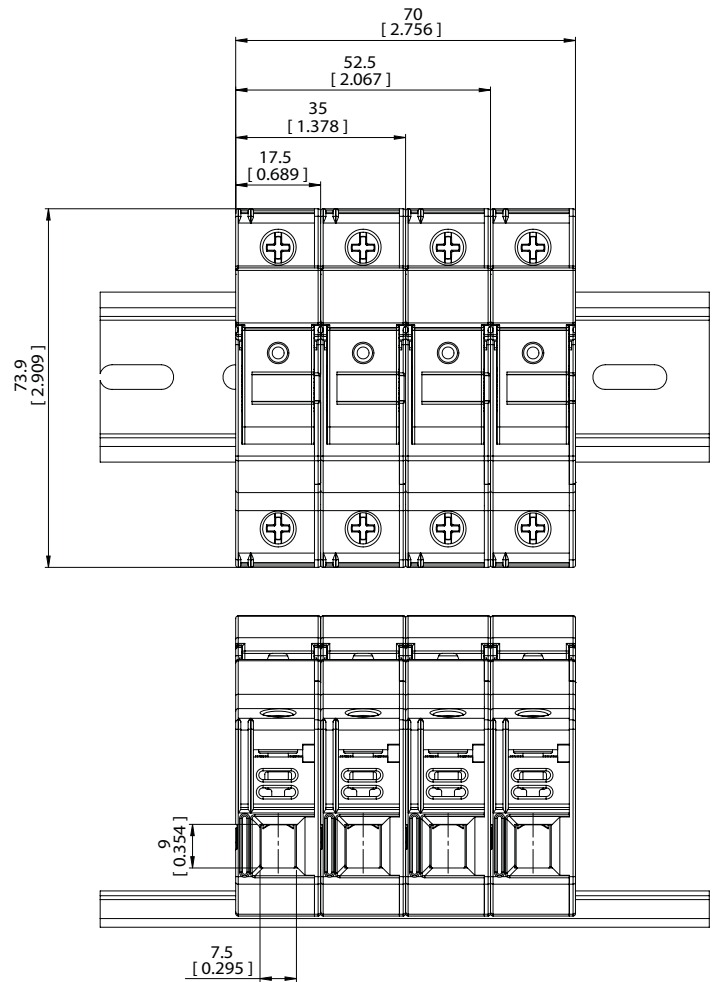
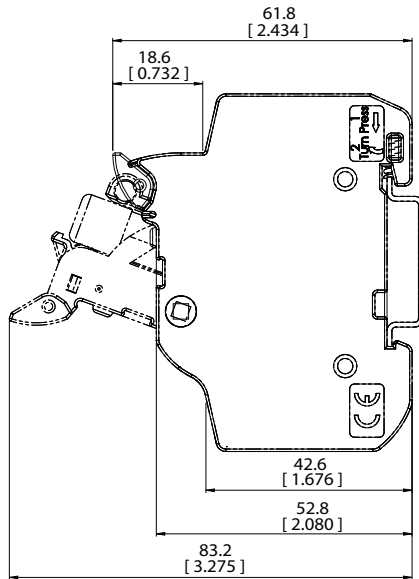
see table below



| Size | Catalogue numbers | | Rated voltage & rated current | Agency markings | Number of poles | Terminal rating | Rated breaking withstand capacity | Compatible Bussmann series fuse links |
|-------------------------------|-------------------|-------------------|---|---|--------------------|---|---|--|
| | With indicator | Without indicator | | | | | | |
| CHM 10x38 and Midget | CHM1DIU | CHM1DU | IEC 690 V a.c./32A UL 600 V a.c./30 A; | IEC 60269-2 UR; CSA; CCC | 1 | IEC: 1 to 25mm ² 70°C PVC/Copper Cable Solid, Stranded, Fine Stranded, Spade Lug, Comb Bus Bar, Single and Dual | IEC 120 kA rms sym UL 200 kA rms sym CCC 100 kA rms sym | IEC: C10 UL: FNQ, KLM, FNM, KTK, BAF, FWA, PVM, AGU, BAN, FWC. |
| | CHM2DIU | CHM2DU | | | 2 | | | |
| | CHM3DIU | CHM3DU | | | 3 | | | |
| | CHM4DIU | CHM4DU | | 4 | | | | |
| | CHM1DNIU | CHM1DNU | | IEC 60269-2 | 1-pole + 1 neutral | | | |
| | CHM3DNIU | CHM3DNU | | IEC 60269-2 | 3-pole + 1 neutral | | | |
| CHM1DI-48U | N/A | N/A | IEC 48V d.c./32A UL 48V d.c./30 A; | IEC 60269-2; UR; CSA; CCC | 1 | N/A | N/A | |
| | N/A | CHM1DNXU | IEC 690 V a.c./32A | IEC 60269-2 | 1 neutral | | | |
| CHPV Photovoltaic | CHPV1IU | CHPV1U | IEC 1000 V d.c./32A UL 1000 V d.c./30 A; | IEC 60269-1 UR; CSA; CCC UL4248-18 | 1 | 33kA | Solar PV , PVM, PV-xxA10F | |
| | CHPV2IU | CHPV2U | | | 2 | | | |
| CHCC Class CC | CHCC1DIU | CHCC1DU | UL 600 V a.c./30 A 600 V d.c./30 A | UL; CSA; CCC | 1 | Cable 75°C and 90°C Cu cable | 200 kA rms sym | LP-CC, FNQ-R, KTK-R |
| | CHCC2DIU | CHCC2DU | | | 2 | | | |
| | CHCC3DIU | CHCC3DU | | | 3 | | | |
| | N/A | CHCC1DI-48U | | | UL 48V d.c./30 A | | | |

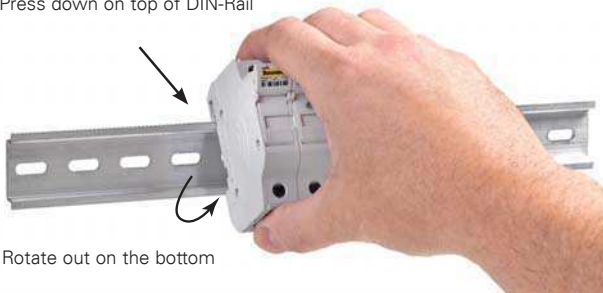
10 x 38 mm, CH

Dimensions - mm (in)



Removing Instructions

1. Press down on top of DIN-Rail



2. Rotate out on the bottom

14 x 51 mm, CH14

690 V a.c. / 750 and 1500V d.c., 50 A

Specifications

Description

Compact DIN-Rail mount fuse holders for 14 x 51 mm cylindrical fuse links. Available in different versions with neutral and microswitch.

Technical data

Rated voltage & Rated current: see table below

Compatible fuse links

- C14G and C14M14 x 51 mm gG and gM cylindrical fuse links
- FW Ferrule
 - FWH-A14F see page 26
 - FWX-A14F see page 24
 - FWP-A14F see page 28 (please consult Eaton's Bussmann business application engineers if you wish to use a FWP fuse link with a striker option)
- PV-A14F see page 109



Standards / Agency information

IEC 60269-1 and 60269-2

| Type | Catalogue numbers | | Description | Rated voltage & rated current | Agency markings | Terminal rating | Rated breaking withstand capacity | Compatible Bussmann series fuse links |
|-------------------|-------------------|--|---------------------------------------|----------------------------------|-------------------|--|-----------------------------------|--|
| | Without indicator | With indicator | | | | | | |
| CH14 | | | CH141DNXU - Neutral only | 690 V a.c. 750 V d.c. 50 A | IEC 60269-1 and 2 | Cable size: 2.5-50 mm ² Terminal torque: 3 Nm maximum Mounting 35 mm DIN-Rail or 2 x M4 panel mounting screws | 120 kA a.c. | C14G and C14M FWX-A14F ¹ FWH-A14F ¹ FWP-A14F ^{1,2} |
| | | | CH141DU CH141DIU 1 pole | | | | | |
| | | | CH142DU CH142DIU 2 pole | | | | | |
| | | | CH143DU CH143DIU 3 pole | | | | | |
| | | | CH144DU CH144DIU 4 pole | | | | | |
| | | | CH141DNU CH141DNIU 1 pole + neutral | | | | | |
| | | | CH143DNU CH143DNIU 3 pole + neutral | | | | | |
| | | | CH141DMSU-F - 1 pole with microswitch | | | | | |
| | | | CH143DMSU-F - 3 pole with microswitch | | | | | |
| | | CH143DNMSU-F - 3 pole +neutral with micro-switch | | | | | | |
| CHPV Photovoltaic | | | CHPV141U CHPV141IU 1 pole | 1500 V d.c. 50 A | IEC 60269-1 and 2 | | 10 kA d.c. | PV-A14F |
| | | | CHPV142U CHPV142IU 2 pole | | | | | |

¹ Maximum allowed continuous current applies. Please refer to data sheet for details.

² Please contact Eaton's Bussmann business application engineers if you wish to use a FWP fuse link with a striker option.

Accessories

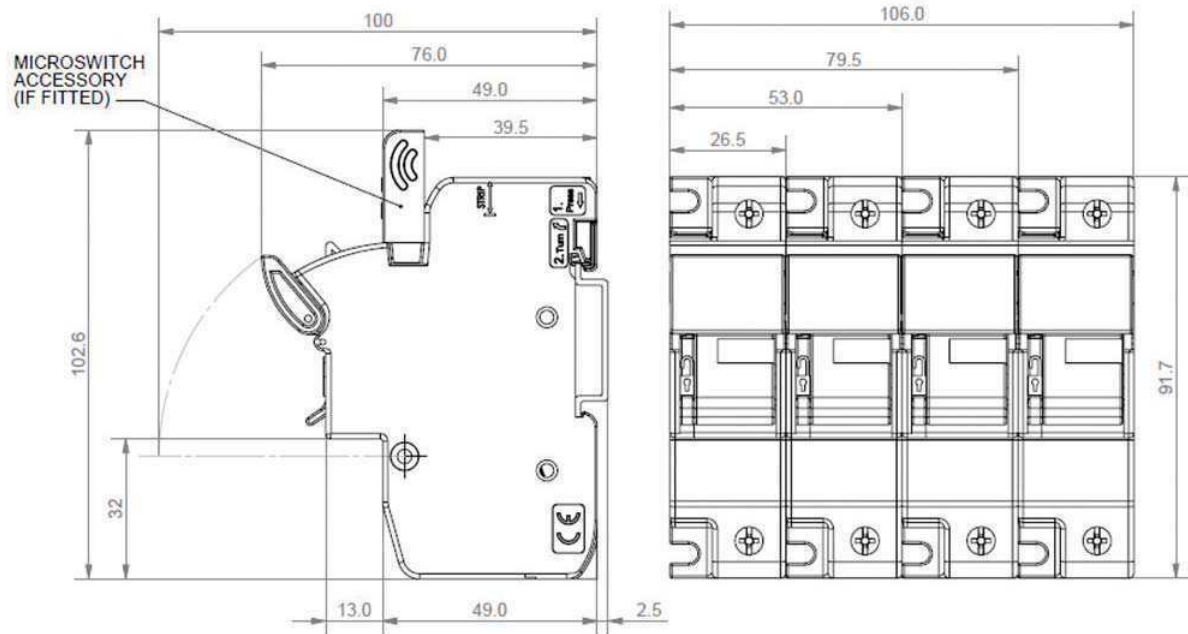
| Catalogue numbers | Description | Unit packing |
|-------------------|---|--------------|
| AL-D | Multi-pole ganging clips, one kit will gang up to 4-poles together | 12 |
| CH14-P | Multi-pole handle pins, one kit will gang up to 12 handles together | 12 |
| CH14-L | Lockout padlock support, it will accept up to 5mm diameter padlock shank | 5 |
| CH14-IP20 | IP20 protection accessory, provides IP20 protection to terminals with 10mm ² or less cable | 12 |
| CH14-MS1 | 1-pole microswitch accessory, provides detection of a blown fuse link | 5 |
| CH14-MS3 | 3-pole microswitch accessory, provides detection of a blown fuse link | 3 |

Data sheet: 10080

14 x 51 mm, CH14

690 V a.c. / 750 and 1500V d.c., 50 A

Dimensions - mm



22 x 58 mm, CH22

690 V a.c. / 1500V d.c., 125 A

Specifications

Description

Compact DIN-Rail mount fuse holders for 22 x 58 mm cylindrical fuse links. Available in different versions with neutral and microswitch.

Technical data

Rated voltage & Rated current: see table below

Compatible fuse links

- C22G and C22M 22 x 58 mm gG and gM cylindrical fuse links
- FWP-A22F Ferrule see page 29 (please consult Eaton's Bussmann business application engineers for derating information buletechnical@eaton.com)

Standards / Agency information

IEC 60269-1 and 60269-2



| Size | Catalogue numbers | | Description | Rated voltage & rated current | Agency markings | Terminal rating | Rated breaking withstand capacity | Compatible Bussmann series fuse links |
|------------|-------------------|-----------------------------------|-------------------------|-------------------------------|-------------------|---|-----------------------------------|---------------------------------------|
| | Without indicator | With indicator | | | | | | |
| 22 x 58 mm | CH221DNXU | - | Neutral holder | | | | | |
| | CH221DU | CH221DIU | 1 pole fuse holder | | | | | |
| | CH222DU | CH222DIU | 2 pole fuse holder | | | Cable size: 4 - 50 mm ² | | |
| | CH223DU | CH223DIU | 3 pole fuse holder | | | | | |
| | CH224DU | CH224DIU | 4 pole fuse holder | 690 V a.c. 1000 V d.c. | IEC 60269-1 and 2 | Terminal torque: 4 Nm maximum | 120 kA a.c. | FWP Ferrule ^{1,2} |
| | CH221DNU | CH221DNIU | 1 pole + neutral | 125 A | | Mounting 35 mm DIN-Rail or 2 x M4 panel mounting screws | 50 kA d.c. | |
| | CH223DNU | CH223DNIU | 3 pole + neutral | | | | | |
| | | CH221DMSU-F | 1 pole with microswitch | | | | | |
| | | CH223DMSU-F | 3 pole with microswitch | | | | | |
| | CH223DNMSU-F | 3 pole with microswitch + neutral | | | | | | |

¹ Maximum allowed continuous current applies. Please refer to data sheet for details.

² Please contact Eaton's Bussmann business application engineers if you wish to use a FWP fuse link with a striker option.

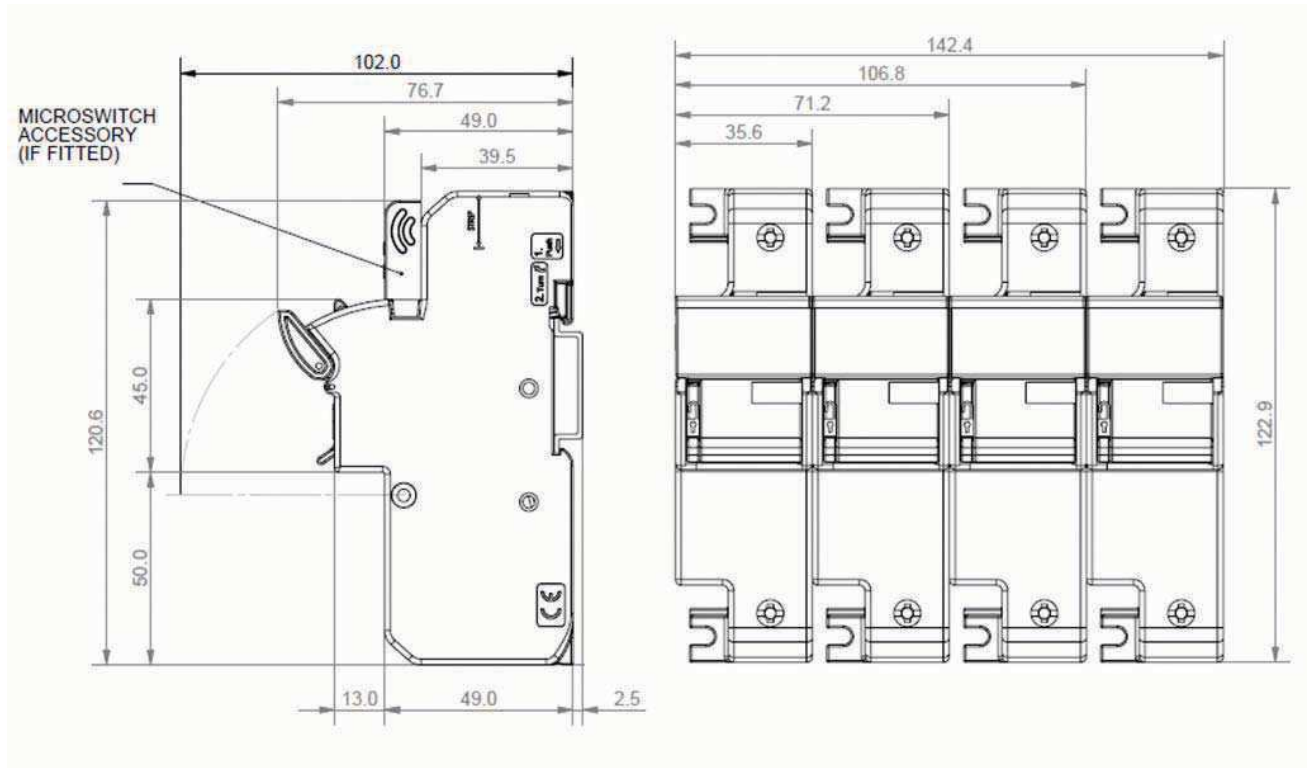
Accessories

| Catalogue numbers | Description | Unit packing |
|-------------------|---|--------------|
| AL-D | Multi-pole ganging clips, one kit will gang up to 4-poles together | 12 |
| CH14-P | Multi-pole handle pins, one kit will gang up to 12 handles together | 12 |
| CH22-L | Lockout padlock support, it will accept up to 5mm diameter padlock shank | 5 |
| CH22-IP20 | IP20 protection accessory, provides IP20 protection to terminals with 10mm ² or less cable | 12 |
| CH22-MS1 | 1-pole microswitch accessory, for blown fuse link monitoring | 5 |
| CH22-MS3 | 3-pole microswitch accessory, for blown fuse link monitoring | 3 |

22 x 58 mm, CH22

690 V a.c. / 1500V d.c., 125 A

Dimensions - mm



Microswitches for square body fuse links

Indicator systems

High Speed square body fuse links are available with three different indicators.

1 - Visual Indicator

The indicator situated in one end plate is clearly visible as soon as the fuse link has operated. The minimum rated voltage for operating the indicator is 20 V.

2 - Type T Indicator

The indicator is situated on one cover plate with a cover plate tag to accommodate an auxiliary switch. The minimum rated voltage for operating the indicator is 20 V. A special low rated voltage indicator (1.5V) is available on request.

3 - Type K Indicator

The indicator is situated on the fuse link body. It is covered by an adaptor for snap-on mounting of an auxiliary switch. The operating Rated voltage of the indicator is 1.5V. As a matter of safety, the factory mounted adaptor must not be removed from the fuse link.



Microswitches

Specifications

High Speed square body fuse links with either Type T indicator or Type K indicator can be equipped with a microswitch. For remote electrical indication of fuse link operations. All microswitches have one normally open and one normally closed contact.

Technical data

Rated voltage: 10-250 V a.c.

Rated current: 30mA-2A



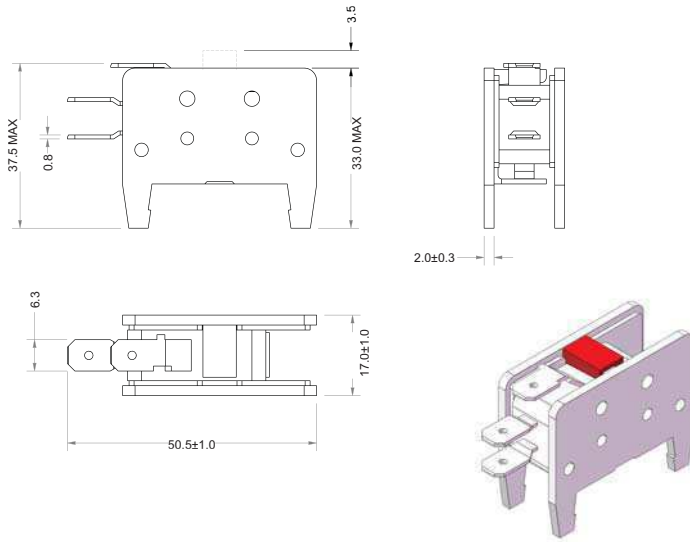
| Fuse link body size | DIN 43653 | | DIN 43620 | | French style | | Flush end | | US Style | Terminal size | |
|---------------------|-----------|----------|-----------------------|------------------------|--------------|----------|-----------|----------|----------|------------------|------------------|
| | Type T | Type K | aR | gR and dual indication | Type T | Type K | Type T | Type K | Type K | 6.3 x 0.8mm lugs | 2.8 x 0.5mm lugs |
| 000 | 170H0236 | | 170H0236 | 170H0236 | | | | | | X | |
| | 170H0238 | | 170H0238 | 170H0238 | | | | | | | X |
| 00 | 170H0235 | | 170H0236 | 170H0236 | | | 170H0235 | | | X | |
| | 170H0237 | | 170H0238 | 170H0238 | | | 170H0237 | | | | X |
| 1* | 170H0235 | 170H0069 | 170H0235 | | 170H0236 | 170H0069 | | | 170H0069 | 170H0069 | X |
| | 170H0237 | | 170H0237 | | 170H0238 | | | | | | X |
| 1 | 170H0235 | 170H0069 | 170H0235 ¹ | 170H0236 | 170H0236 | 170H0069 | | | 170H0069 | 170H0069 | X |
| | 170H0237 | | 170H0237 ¹ | 170H0238 | 170H0238 | | | | | | X |
| 2 | 170H0235 | 170H0069 | 170H0235 | 170H0236 | 170H0236 | 170H0069 | | | 170H0069 | 170H0069 | X |
| | 170H0237 | | 170H0237 | 170H0238 | 170H0238 | | | | | | X |
| 3 | 170H0235 | 170H0069 | 170H0236 | 170H0236 | 170H0236 | 170H0069 | | | 170H0069 | 170H0069 | X |
| | 170H0237 | | 170H0238 | 170H0238 | 170H0238 | | | | | | X |
| 4 | | | | | | | | 170H0069 | | X | |
| 23 | | | | | | | | 170H0069 | | X | |
| 24 | | | | | | | | 170H0069 | | X | |

For special microswitches, double microswitches, DC rating of the microswitches, lower/higher signal levels and for insulation voltages please contact Eaton's Bussmann business: bulehighspeedtechnical@eaton.com.

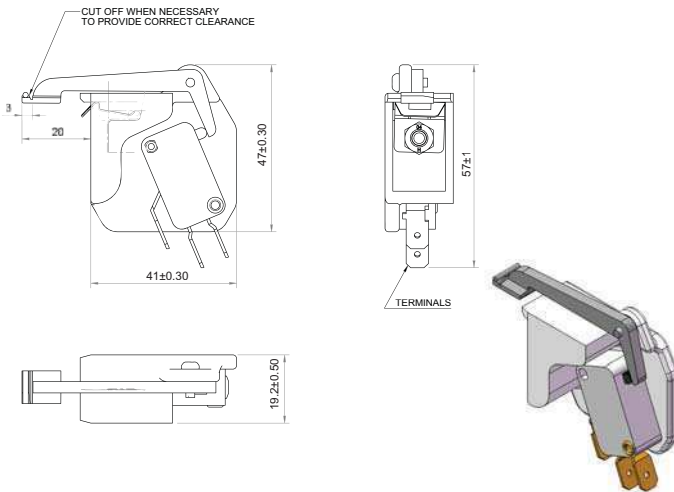
¹ DIN2* (55x55), if DIN2 then use microswitch 170H0236, 170H0238.

Indicator systems

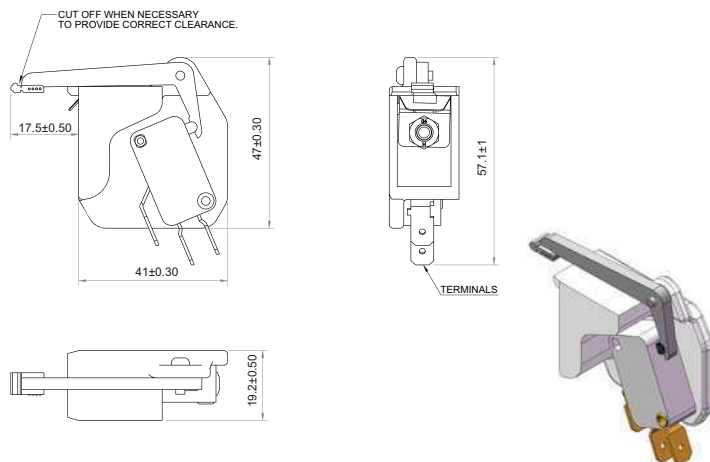
Dimensions - mm



170H0069



170H0235/170H0237 For bent tags



170H0236/170H0238 for straight tags

Microswitches for British Standard BS88-4 fuse links

Trip Indicator / Microswitches

Specifications

Trip-indicator fuse links are available for use in parallel with the main BS88-4 fuse links. They can either be attached to the associated fuse link or mounted separately in panel mounted fuse clips. A push-on adaptor and microswitch attachment is available for use with the trip indicator to give the facility of remote indication.

Fuse ratings of 20 A and below cannot usually accommodate a trip fuse link in parallel.

Catalogue numbers

Trip indicator kit (indicator + clips)

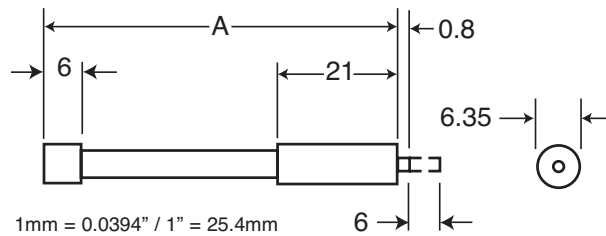
| Fuse type | Catalogue number |
|-----------|------------------|
| ET | EC-600 |
| EET | EC-600 |
| FE | EC-600 |
| FEE | EC-600 |
| LET | EC-250 |
| FM | MC-600 |
| FMM | MC-600 |
| LMT | MC-250 |
| LMMT | MC-250 |



Indicator Only

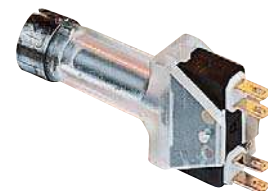
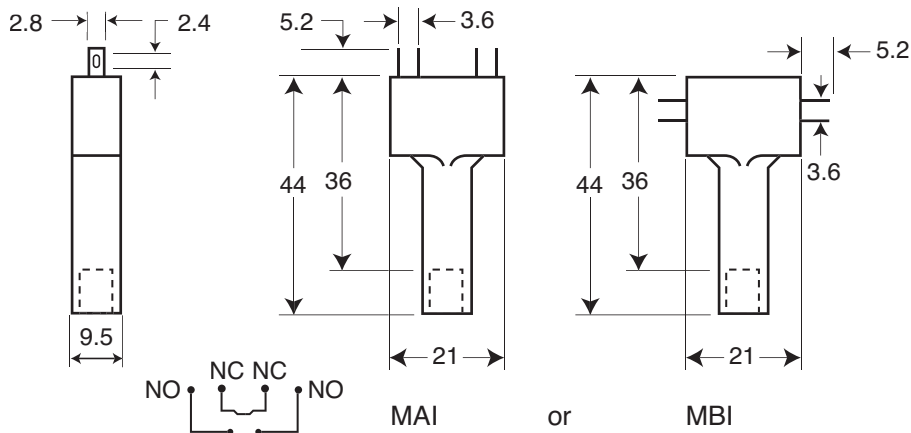
| Fuse type | Rated current (V a.c.) | Dim 'A' (mm) |
|-----------|------------------------|--------------|
| TI250 | 250 | 37.6 |
| TI500 | 500 | 47.5 |
| TI600 | 600 | 55.7 |
| TI700 | 700 | 61.8 |
| TI1100 | 1100 | 98.4 |
| TI1500 | 1500 | 120.8 |
| TI2000 | 2000 | 147.5 |
| TI2500 | 2500 | 198.3 |

Dimensions - mm



Microswitch/Adaptor: MAI and MBI

Dimensions - mm



Index

| Catalogue number | Page | Catalogue number | Page | Catalogue number | Page |
|------------------------|---------|------------------------|-------|------------------------|-------|
| 170E3577 to 170E3581 | 83-84 | 170M3388 to 170M3397 | 61-62 | 170M5408 to 170M5418 | 57-58 |
| 170E3583 to 170E3587 | 83-84 | 170M3408 to 170M3423 | 57-58 | 170M5438 to 170M5448 | 61-62 |
| 170E3906 to 170E3912 | 88 | 170M3438 to 170M3448 | 61-62 | 170M5458 to 170M5468 | 57-58 |
| 170E3914 to 170E3919 | 95-97 | 170M3458 to 170M3473 | 57-58 | 170M5494 to 170M5500 | 61-62 |
| 170E3922 | 95-97 | 170M3488 to 170M3497 | 61-62 | 170M5508 to 170M5518 | 57-58 |
| 170E3924 to 170E3932 | 94 | 170M3508 to 170M3523 | 57-58 | 170M5531 to 170M5540 | 52-53 |
| 170E3933 | 95-97 | 170M3531 to 170M3541 | 52-53 | 170M5558 to 170M5568 | 57-58 |
| 170E3937 to 170E3945 | 89 | 170M3558 to 170M3573 | 57-58 | 170M5588 to 170M5598 | 61-62 |
| 170E3946 | 88 | 170M3608 to 170M3623 | 50-51 | 170M5608 to 170M5618 | 50-51 |
| 170E3950 to 170E3956 | 89 | 170M3658 to 170M3673 | 50-51 | 170M5644 to 170M5650 | 61-62 |
| 170E3970 | 89 | 170M3688 to 170M3697 | 54-55 | 170M5658 to 170M5668 | 50-51 |
| 170E3971 | 88 | 170M3708 to 170M3723 | 50-51 | 170M5688 to 170M5700 | 54-55 |
| 170E3976 | 89 | 170M3738 to 170M3747 | 54-55 | 170M5708 to 170M5718 | 50-51 |
| 170E3977 | 88 | 170M3758 to 170M3773 | 50-51 | 170M5738 to 170M5750 | 54-55 |
| 170E3982 | 88 | 170M3808D to 170M3819D | 45-46 | 170M5758 to 170M5768 | 50-51 |
| 170E3984 | 95-97 | 170M3921 to 170M3931 | 59-60 | 170M5808D to 170M5814D | 45-46 |
| 170E5417 | 83-84 | 170M3951 to 170M3961 | 59-60 | 170M5816D to 170M5817D | 45-46 |
| 170E5418 | 83-84 | 170M3965 to 170M3975 | 39-40 | 170M5820D | 45-46 |
| 170E5420 | 83-84 | 170M3981 to 170M3991 | 39-40 | 170M5881 to 170M5889 | 43-44 |
| 170E5421 | 83-84 | 170M4008 to 170M4049 | 36-37 | 170M5922 to 170M5931 | 59-60 |
| 170E8335 to 170E8337 | 83-84 | 170M4058 to 170M4069 | 36-37 | 170M5952 to 170M5961 | 59-60 |
| 170E8345 to 170E8347 | 83-84 | 170M4108 to 170M4119 | 36-37 | 170M5966 to 170M5975 | 39-40 |
| 170E8882 to 170E8888 | 95-97 | 170M4138 to 170M4147 | 41-42 | 170M5981 to 170M5990 | 39-40 |
| 170E9681 | 83-84 | 170M4158 to 170M4169 | 36-37 | 170M6008 to 170M6021 | 36-37 |
| 170E9685 | 83-84 | 170M4176 to 170M4186 | 43-44 | 170M6058 to 170M6071 | 36-37 |
| 170F8230 to 170F8235 | 87 | 170M4188 to 170M4197 | 41-42 | 170M6080 to 170M6087 | 43-44 |
| 170H0069 | 144-145 | 170M4208 to 170M4219 | 36-37 | 170M6108 to 170M6121 | 36-37 |
| 170H0235 to 170H0238 | 144-145 | 170M4238 to 170M4247 | 41-42 | 170M6138 to 170M6151 | 41-42 |
| 170H1007 | 126 | 170M4258 to 170M4269 | 36-37 | 170M6158 to 170M6171 | 36-37 |
| 170H1013 | 126 | 170M4308 to 170M4318 | 48-49 | 170M6188 to 170M6201 | 41-42 |
| 170H3003 to 170H3006 | 127-128 | 170M4358 to 170M4368 | 48-49 | 170M6208 to 170M6221 | 36-37 |
| 170M1308 to 170M1322 | 34-35 | 170M4388 to 170M4397 | 61-62 | 170M6238 to 170M6251 | 41-42 |
| 170M1358 to 170M1372 | 34-35 | 170M4408 to 170M4419 | 57-58 | 170M6258 to 170M6271 | 36-37 |
| 170M1408 to 170M1422 | 34-35 | 170M4438 to 170M4447 | 61-62 | 170M6308 to 170M6319 | 48-49 |
| 170M1558D to 170M1572D | 45-46 | 170M4458 to 170M4469 | 57-58 | 170M6338 to 170M6349 | 61-62 |
| 170M1730 to 170M1742 | 76-77 | 170M4488 to 170M4497 | 61-62 | 170M6358 to 170M6369 | 48-49 |
| 170M1750 to 170M1762 | 76-77 | 170M4508 to 170M4519 | 57-58 | 170M6408 to 170M6421 | 57-58 |
| 170M1770 to 170M1781 | 76-77 | 170M4531 to 170M4540 | 52-53 | 170M6458 to 170M6471 | 57-58 |
| 170M1785 to 170M1796 | 76-77 | 170M4558 to 170M4569 | 57-58 | 170M6494 to 170M6501 | 61-62 |
| 170M1802 to 170M1813 | 78-79 | 170M4608 to 170M4619 | 50-51 | 170M6508 to 170M6521 | 57-58 |
| 170M1824 to 170M1833 | 78-79 | 170M4658 to 170M4669 | 50-51 | 170M6538 to 170M6549 | 61-62 |
| 170M1842 to 170M1853 | 78-79 | 170M4688 to 170M4697 | 54-55 | 170M6558 to 170M6571 | 57-58 |
| 170M1860 to 170M1869 | 78-79 | 170M4708 to 170M4719 | 50-51 | 170M6588 to 170M6599 | 61-62 |
| 170M2000 to 170M2021 | 80-82 | 170M4738 to 170M4747 | 54-55 | 170M6608 to 170M6621 | 50-51 |
| 170M2039 to 170M2057 | 90-92 | 170M4758 to 170M4769 | 50-51 | 170M6644 to 170M6651 | 61-62 |
| 170M2090 to 170M2096 | 93 | 170M4802 to 170M4815 | 38 | 170M6658 to 170M6671 | 50-51 |
| 170M2100 to 170M2111 | 86 | 170M4822 to 170M4835 | 38 | 170M6688 to 170M6701 | 54-55 |
| 170M2608 to 170M2621 | 34-35 | 170M4863D to 170M4867D | 45-46 | 170M6708 to 170M6721 | 50-51 |
| 170M2658 to 170M2671 | 34-35 | 170M4921 to 170M4930 | 59-60 | 170M6738 to 170M6751 | 54-55 |
| 170M2673 to 170M2685 | 47 | 170M4951 to 170M4960 | 59-60 | 170M6758 to 170M6771 | 50-51 |
| 170M2691 to 170M2702 | 43-44 | 170M4965 to 170M4974 | 39-40 | 170M6775 to 170M6807 | 71 |
| 170M2708 to 170M2721 | 54-55 | 170M4980 to 170M4989 | 39-40 | 170M6808D to 170M6814D | 45-46 |
| 170M2758 to 170M2771 | 54-55 | 170M5008 to 170M5018 | 36-37 | 170M6815 to 170M6817 | 71 |
| 170M3008 to 170M3023 | 36-37 | 170M5058 to 170M5068 | 36-37 | 170M6827 to 170M6829 | 71 |
| 170M3058 to 170M3073 | 36-37 | 170M5108 to 170M5118 | 36-37 | 170M6833 to 170M6835 | 71 |
| 170M3108 to 170M3123 | 36-37 | 170M5138 to 170M5150 | 41-42 | 170M6858 to 170M6870 | 69-70 |
| 170M3138 to 170M3148 | 41-42 | 170M5158 to 170M5168 | 36-37 | 170M6878 to 170M6890 | 69-70 |
| 170M3158 to 170M3173 | 36-37 | 170M5188 to 170M5200 | 41-42 | 170M6892D | 45-46 |
| 170M3188 to 170M3198 | 41-42 | 170M5208 tp 170M5218 | 36-37 | 170M6898 to 170M6910 | 69-70 |
| 170M3208 to 170M3223 | 36-37 | 170M5238 to 170M5250 | 41-42 | 170M6918 to 170M6930 | 69-70 |
| 170M3238 to 170M3248 | 41-42 | 170M5258 to 170M5268 | 36-37 | 170M6938 to 170M6950 | 69-70 |
| 170M3258 to 170M3273 | 36-37 | 170M5308 to 170M5316 | 48-49 | 170M6958 to 170M6970 | 69-70 |
| 170M3308 to 170M3321 | 48-49 | 170M5358 to 170M5366 | 48-49 | 170M7031 | 65-66 |
| 170M3358 to 170M3371 | 48-49 | 170M5388 to 170M5398 | 61-62 | 170M7034 to 170M7037 | 65-66 |

Index

| Catalogue number | Page |
|------------------------|-----------|
| 170M7053 | 65-66 |
| 170M7058 to 170M7066 | 63-64 |
| 170M7078 to 170M7086 | 63-64 |
| 170M7090 | 65-66 |
| 170M7098 to 170M7106 | 63-64 |
| 170M7107 | 67-68 |
| 170M7118 to 170M7126 | 63-64 |
| 170M7138 to 170M7149 | 72 |
| 170M7156 | 65-66 |
| 170M7158 to 170M7169 | 72 |
| 170M7198 to 170M7209 | 72 |
| 170M72100 to 170M2111 | 86 |
| 170M7216 | 67-68 |
| 170M7217 | 67-68 |
| 170M7217 | 85 |
| 170M7218 to 170M7229 | 72 |
| 170M7488 | 73 |
| 170M7498 | 73 |
| 170M7510 to 170M7513 | 67-68 |
| 170M7516 | 67-68 |
| 170M7532 | 67-68 |
| 170M7542 | 65-66 |
| 170M7544 | 65-66 |
| 170M7546 | 67-68 |
| 170M7548 | 65-66 |
| 170M7567 to 170M7569 | 73 |
| 170M7592 | 67-68 |
| 170M7595 | 67-68 |
| 170M7597 | 67-68 |
| 170M7608 | 73 |
| 170M7622 | 73 |
| 170M7633 | 67-68 |
| 170M7636 | 65-66 |
| 170M7639 | 65-66 |
| 170M7640 | 65-66 |
| 170M7658 | 65-66 |
| 170M7661 | 65-66 |
| 170M7676 | 67-68 |
| 170M7680 | 73 |
| 170M7802 to 170M7804 | 67-68 |
| 170M7962 | 65-66 |
| 170M7963 | 65-66 |
| 170M7976 | 67-68 |
| 170M7978 | 67-68 |
| 170M8500 to 170M8513 | 59-60 |
| 170M8531 to 170M8544 | 52-53 |
| 170M8554D to 170M8557D | 45-46 |
| 170M8600 to 170M8613 | 59-60 |
| 170M8614 to 170M8627 | 39-40 |
| 170M8629 to 170M8642 | 39-40 |
| 170N1785 to 170M1796 | 76-77 |
| 1BS | 125 |
| AL-D | 140 & 142 |
| BH | 125 |
| BMM603 | 132-133 |
| C5268 | 125 |
| CH14 | 140-141 |
| CH14-IP20 | 140-141 |
| CH14-L | 140-141 |
| CH14-MS | 140 |
| CH14-P | 140 & 142 |
| CH22 | 142-143 |
| CH22-IP20 | 142 |
| CH22-L | 142 |

| Catalogue number | Page |
|------------------|----------|
| CH22-MS | 142 |
| CHCC | 138-139 |
| CHM | 138-139 |
| CHPV | 138-139 |
| CHPV14 | 140-141 |
| CT | 19-20 |
| CVR | 132-133 |
| CVRI-J | 135-137 |
| CVR-J | 135-137 |
| DFJ | 75 |
| EC-250 | 146 |
| EC-600 | 146 |
| EET | 19-20 |
| ET | 19-20 |
| FE | 19-20 |
| FEE | 19-20 |
| FM | 21-22 |
| FMM | 21-22 |
| FWA-_A | 7-8 |
| FWA-_A10F | 23 |
| FWA-_A21F | 23 |
| FWA-_AH | 6 |
| FWA-_B | 7-8 |
| FWC-_A10F | 27 |
| FWH-_A | 10 |
| FWH-_A14F | 26 |
| FWH-_A6F | 25 |
| FWH-_B | 10 |
| FWJ-_A | 15 |
| FWJ-_A14F | 31 |
| FWK-_A20F | 30 & 98 |
| FWK-_A25F | 30 & 98 |
| FWL-_A20F | 32 & 100 |
| FWL-_A20FI | 32 & 100 |
| FWP-_A | 13-14 |
| FWP-_A14F | 28 |
| FWP-_A14FI | 28 |
| FWP-_A22F | 29 |
| FWP-_A22FI | 29 |
| FWP-_B | 13-14 |
| FWS-_A20F | 33 & 100 |
| FWS-_A20FI | 33 & 100 |
| FWX-_A | 9 |
| FWX-_A14F | 24 |
| FWX-_AH | 9 |
| JM60 | 135-137 |
| JM70100 | 134 |
| KAC | 11 |
| KBC | 12 |
| KC36 | 101 |
| LCT | 16-17 |
| LET | 16-17 |
| LMMT | 18 |
| LMT | 18 |
| LRC750 | 99 |
| MAI | 146 |
| MBI | 146 |
| MC-250 | 146 |
| MC-600 | 146 |
| MMT | 21-22 |
| MT | 21-22 |
| NBC | 105 |
| PV-_A10-1P | 107-108 |
| PV-_A10-2P | 107-108 |

| Catalogue number | Page |
|------------------|---------|
| PV-_A10F | 107-108 |
| PV-_A10-T | 107-108 |
| PV-_A14F | 109 |
| PV-_A14LF | 110 |
| PV-_A14LF10F | 110 |
| PV-_A14L-T | 110 |
| PV-_AF | 117-118 |
| PV-_ANH | 111-116 |
| PV-_ANH-B | 111-116 |
| PV-_ANH-BL | 111-116 |
| PV-_L | 119-124 |
| PV-_L-15 | 119-124 |
| PV-_L-B | 119-124 |
| PV-_L-B-15 | 119-124 |
| PV-_XL-15 | 119-124 |
| PV-_XL-B | 119-124 |
| PV-_XL-B12 | 119-124 |
| PV-_XL-B15 | 119-124 |
| PVM | 106 |
| PV-XL | 119-124 |
| RC | 102 |
| SB3L-S | 131 |
| SBXL-S | 131 |
| SD-D-PV | 129-130 |
| SF100X | 103-104 |
| SF75X | 103-104 |
| TI | 143 |

Contact details

Customer Satisfaction team

Eaton's Bussmann business Customer Satisfaction team is available to answer questions regarding Bussmann series products.

Calls can be made between:

Monday - Thursday 7.30 a.m. - 5.30 p.m. GMT

Friday 7.30 a.m. - 5.00 p.m. GMT

The Customer Satisfaction team can be reached via:

Phone: 00 44 (0) 1509 882 600

Fax: 00 44 (0) 1509 882 786

Email: bulesales@eaton.com

www.my.eaton.com

Tailored just for you. Powerful online tools and resources get you the up-to-date information you need to work smarter, make informed decisions and streamline your transactions with Eaton. Get started today at www.my.eaton.com by clicking 'Request User ID and Password'.

- Easy to Navigate
- Simple to Use
- Real-Time Data.

Online resources

Visit www.bussmann.com for the following resources:

- Product cross reference
- Product profiles
- Online catalogues for the latest United States and European catalogues.

Application engineering

Application Engineering assistance is available to all customers. The Application Engineering team is staffed by university-qualified electrical engineers who are available with technical and application support.

Calls can be made between:

Monday - Thursday 8.30 a.m. - 4.30 p.m. GMT

Friday 8.30 a.m. - 4.00 p.m. GMT

Application Engineering can be reached via:

Phone: 00 44 (0) 1509 882 699

Fax: 00 44 (0) 1509 882 794

General technical enquiries: buletechnical@eaton.com

High speed technical enquiries: highspeedtechnical@eaton.com

At Eaton, we're energized by the challenge of powering a world that demands more. With over 100 years experience in electrical power management, we have the expertise to see beyond today. From groundbreaking products to turnkey design and engineering services, critical industries around the globe count on Eaton.

We power businesses with reliable, efficient and safe electrical power management solutions. Combined with our personal service, support and bold thinking, we are answering tomorrow's needs today. Follow the charge with Eaton. Visit eaton.com/electrical.

Contact your local Eaton office

Electrical Sector
Eaton's Bussmann business
Melton Road
Burton-on-the-Wolds
LE12 5TH
Leicestershire
United Kingdom
bulesales@eaton.com
www.bussmann.com

Eaton Industries Manufacturing GmbH
Electrical Sector EMEA
Route de la Longeraie
71110 Morges, Switzerland
Eaton.eu

© 2015 Eaton
All Rights Reserved
Printed in the United Kingdom
Publication No. CA132014EN
February 2015

Changes to the products, to the information contained in this document, and to prices are reserved; so are errors and omissions. Only order confirmations and technical documentation by Eaton is binding. Photos and pictures also do not warrant a specific layout or functionality. Their use in whatever form is subject to prior approval by Eaton. The same applies to Trademarks (especially Eaton, Moeller, and Cutler-Hammer). The Terms and Conditions of Eaton apply, as referenced on Eaton Internet pages and Eaton order confirmations.

Eaton is a registered trademark.
All other trademarks are property of their respective owners.