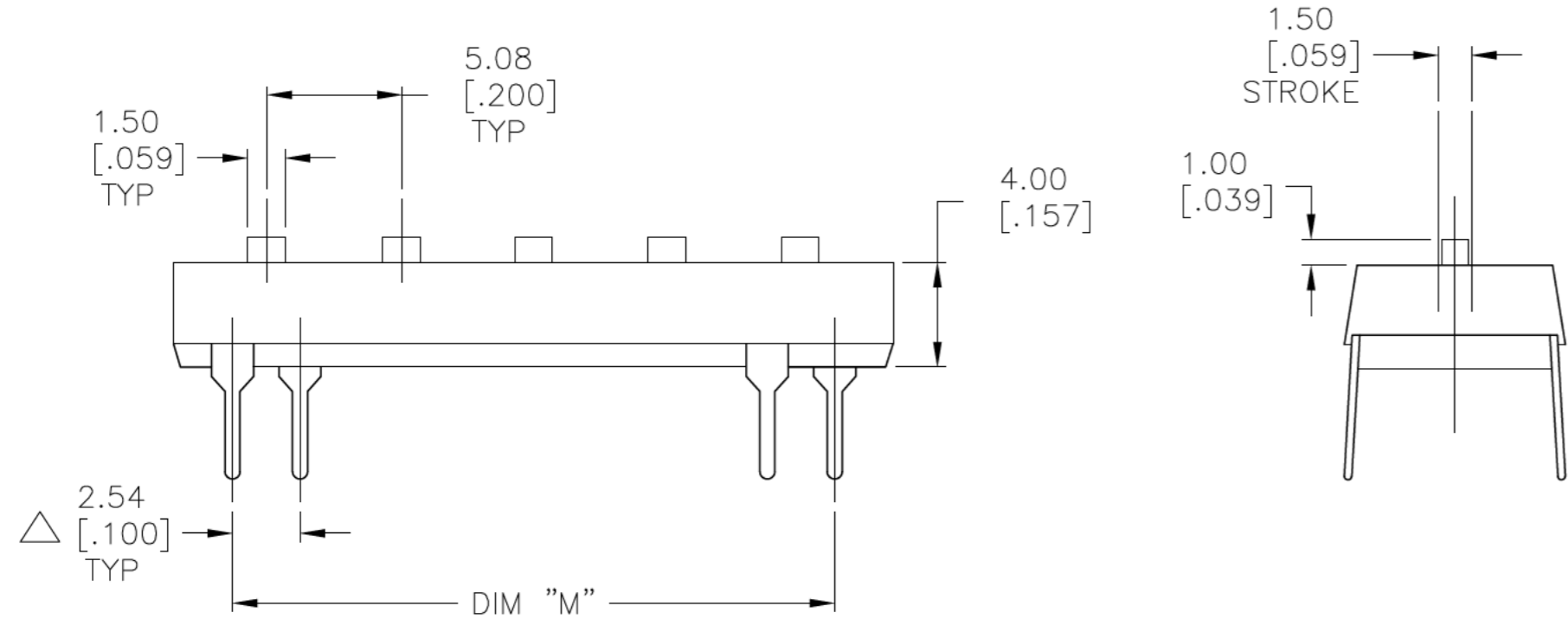
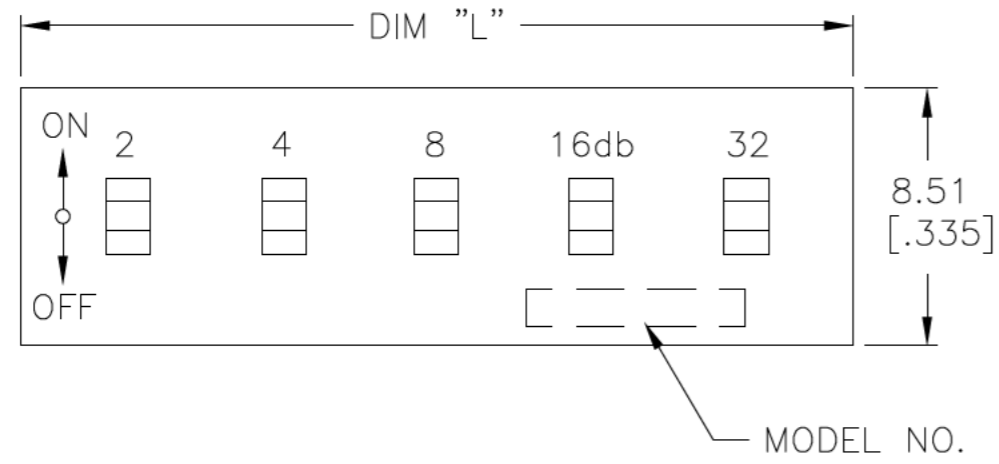


THIS DRAWING IS UNPUBLISHED. RELEASED FOR PUBLICATION
 © COPYRIGHT BY TYCO ELECTRONICS CORPORATION. ALL RIGHTS RESERVED.

Loc		DIST		REVISIONS			
P	LTR	DESCRIPTION	DATE	DWN	APVD		
B		ECO 07-020114	28AUG07	MB	MS		
B1		REVISED PER ECO-09-024927	07NOV09	KK	AEG		



SEE SHEET 2 FOR TERMINAL TYPES AND DIMENSIONS

SPECIFICATIONS:

MATERIAL:

BASE, PBT UL94V-0, SEE P/N TABLE
 COVER, PBT UL94V-0, SEE P/N TABLE
 ACTUATOR, PBT UL94V-0, WHITE
 FIXED CONTACT/TERMINAL, COPPER ALLOY, PLATE-GOLD/NICKEL
 MOVING CONTACT, COPPER ALLOY, PLATE-GOLD/NICKEL

ELECTRICAL:

CONTACT RATING SWITCHING, 0.4 VA @ 20V DC
 INITIAL CONTACT RESISTANCE, 50 MILLIOHMS MAX.
 INSULATION RESISTANCE, 100 MEGOHMS MIN. @ 100V DC.
 DIELECTRIC STRENGTH, 500V AC RMS @ SEA LEVEL
 LIFE, 5,000 CYCLES

MECHANICAL:

OPERATING FORCE, LESS THAN 800 GRAMS
 TRAVEL, .059

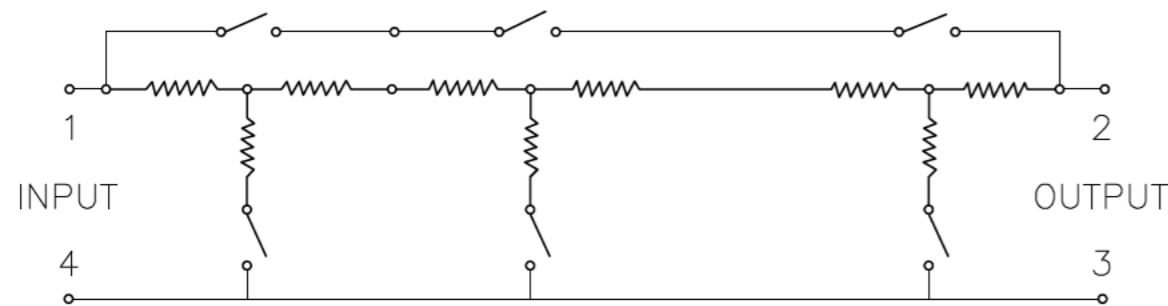
ENVIRONMENTAL:

OPERATING TEMPERATURE: -30 TO +85 DEGREES C
 STORAGE TEMPERATURE: -45 TO +100 DEGREES C
 CLEANING, AQUEOUS OR SOLVENT
 SOLDER HEAT RESISTANCE, PER 109-202, CONDITION B
 SOLDERABILITY- PER JIS-C-0050 & JIS-C-00053

NOTES:

1. ALL MATERIALS AND FINISHES SHALL COMPLY WITH EU DIRECTIVE 2002/95/EC OF 27JAN2003 (ROHS)

⚠ OBSOLETE PARTS: OBSOLETE CIS STREAMLINING PER D.RENAUD/D.SINISI



CIRCUIT: T TYPE UNBALANCED (SWITCH IN CENTER NEUTRAL POSITION)

OBSOLETE
 ⚠

ORANGE	3-9db +/- .10db	5MHz	75 Ohm	50mW	0.700	0.876	4	ATT475C04	1825284-3
ORANGE	3-9db +/- .10db	5MHz	75 Ohm	50mW	0.900	1.076	5	ATT575C04	1825284-2
BLACK	25-30db +/- .35db	200kHz	600 Ohm	50mW	0.900	1.076	5	ATT5600C04	1825284-1
CASE/COVER COLOR	db RANGE TOLERANCE	FREQUENCY	IMPEDANCE	RATED POWER	DIM "M"	DIM "L"	NUMBER OF POSN.	T&B P/N	TE P/N

THIS DRAWING IS A CONTROLLED DOCUMENT.

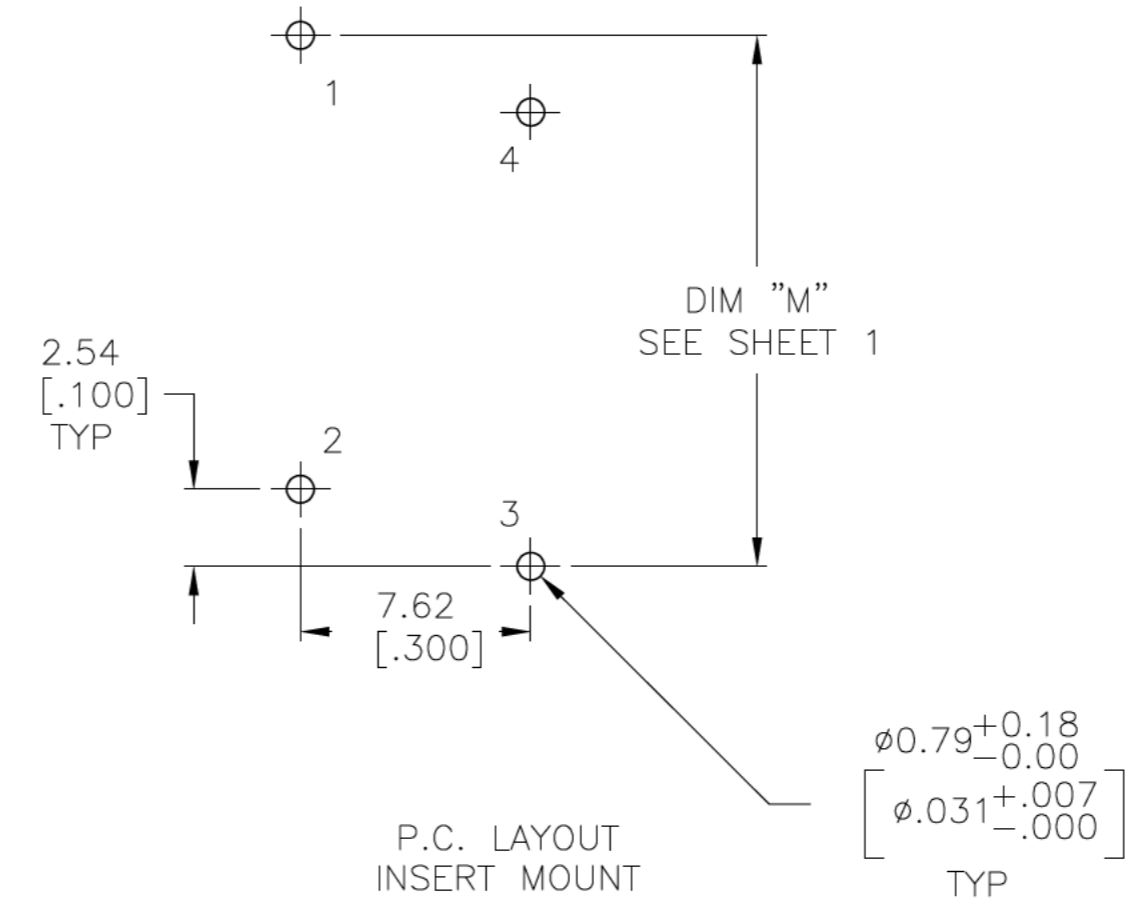
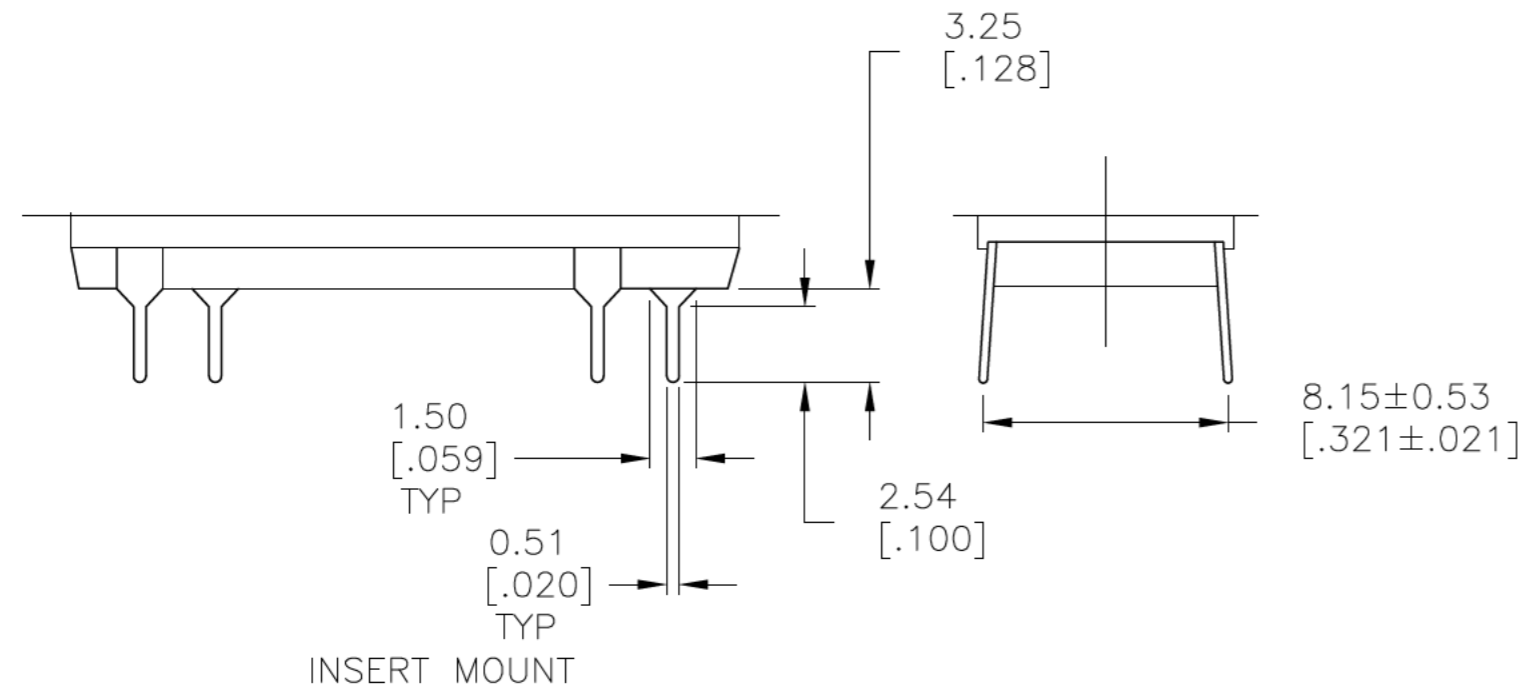
DWN	CMM	07AUG86	 Tyco Electronics Corporation Harrisburg, Pa 17105-3608			
CHK	PS	07JUL88				
APVD	-	-				
PRODUCT SPEC	-	-				
APPLICATION SPEC	-	-	NAME			
DIMENSIONS: mm [INCHES] TOLERANCES UNLESS OTHERWISE SPECIFIED: 0 PLC ± - 1 PLC ± - 2 PLC ± .01 3 PLC ± - 4 PLC ± - ANGLES ± 1° MATERIAL SEE SPECIFICATION FINISH -			ATT SERIES DIP SWITCH -			
MATERIAL		WEIGHT	SIZE	CAGE CODE	DRAWING NO	RESTRICTED TO
SEE SPECIFICATION		-	A2	00779	C=1825284	-
CUSTOMER DRAWING			SCALE	SHEET	OF	REV
-			4:1	1	2	B1

1825284

A

THIS DRAWING IS UNPUBLISHED. RELEASED FOR PUBLICATION
 © COPYRIGHT BY TYCO ELECTRONICS CORPORATION. ALL RIGHTS RESERVED.

LOC		DIST		REVISIONS			
P	LTR	DESCRIPTION	DATE	DWN	APVD		
AD	OO	SEE SHEET 1	-	-	-		



THIS DRAWING IS A CONTROLLED DOCUMENT.		DWN CMM	07AUG86	 Tyco Electronics Corporation Harrisburg, Pa 17105-3608																					
DIMENSIONS: mm [INCHES]		CHK PS	07JUL88																						
TOLERANCES UNLESS OTHERWISE SPECIFIED:		APVD -	PRODUCT SPEC -	NAME ATT SERIES DIP SWITCH																					
<table border="1"> <tr><td>0 PLC</td><td>±</td><td>-</td></tr> <tr><td>1 PLC</td><td>±</td><td>-</td></tr> <tr><td>2 PLC</td><td>±</td><td>-</td></tr> <tr><td>3 PLC</td><td>±</td><td>.010</td></tr> <tr><td>4 PLC</td><td>±</td><td>-</td></tr> <tr><td>ANGLES</td><td>±</td><td>1°</td></tr> <tr><td>FINISH</td><td>-</td><td>-</td></tr> </table>		0 PLC	±	-	1 PLC	±	-	2 PLC	±	-	3 PLC	±	.010	4 PLC	±	-	ANGLES	±	1°	FINISH	-	-	APPLICATION SPEC -	WEIGHT -	SIZE A2
0 PLC	±	-																							
1 PLC	±	-																							
2 PLC	±	-																							
3 PLC	±	.010																							
4 PLC	±	-																							
ANGLES	±	1°																							
FINISH	-	-																							
MATERIAL SEE SPECIFICATION		SCALE 4:1		CAGE CODE 00779																					
		SHEET 2 OF 2		DRAWING NO C=1825284																					
		CUSTOMER DRAWING		RESTRICTED TO -																					
		REV B1																							

1825284