

WRBK-1

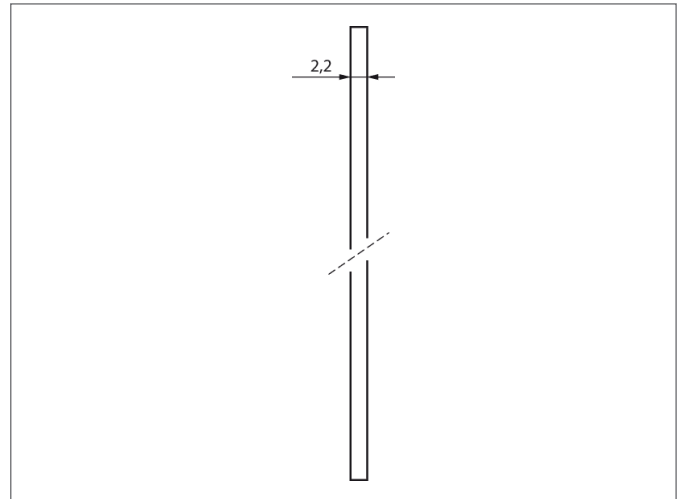
Plastic fiber optic, meter goods

- Meter goods
- Single fibre



Safety instructions

The Instruments are not to be used for safety applications, in particular applications in which safety of persons depends on proper operation of the instruments.
 These instruments shall exclusively be used by qualified personnel.



TECHNICAL INFORMATION (typ.)	
Single fibre-optics	Ø 2,2 mm
single fibre	Ø 1,0 mm
Bending radius	> 25 mm
Temperature resistance	-25 ... + 70 °C
For	Amplifier for plastic fiber optics
Material	polymethyl methacrylate (Fibre) PE (Cladding)
Model	single fibre