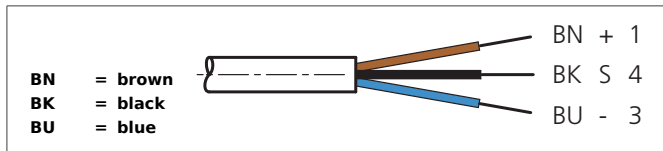


## TKH-W-10 Connecting Cable

- Drag chain compatible
- With click-stop device
- Durable PU coating
- Flexible lead design
- Good stripping properties
- High protection class
- Gold-plated plug-in contacts



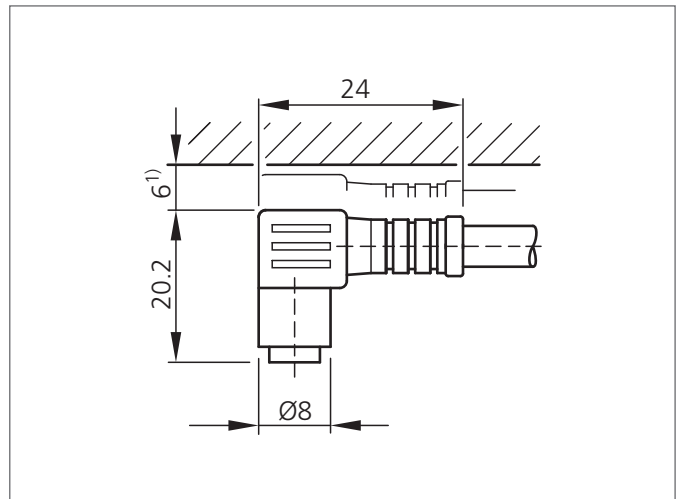
CE



### Safety instructions

The Instruments are not to be used for safety applications, in particular applications in which safety of persons depends on proper operation of the instruments.

These instruments shall exclusively be used by qualified personnel.



TECHNICAL INFORMATION (typ.)		+20°C, 24V DC
Size		Click-stop device for screw M8 (thread)
Design		angled
Length		10.000 mm
Characteristics		click-stop device
Service voltage		< 60 V AC/DC
LED indicator		no
Ambient temperature		-30 ... +80°C (fixed), -5 ... +80°C (moved)
Protection class		IP 67
Material		PUR (Cable) PUR (connector)
Connection		Connector, M8, 3-poled
Drag chain compatible		Yes
Drag chain properties		2 Mio. (Bending cycles) 70 mm (Minimum bending radius)