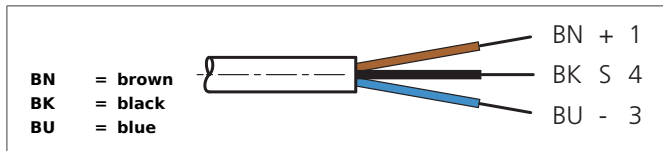


## TKH-W-5 Connecting Cable

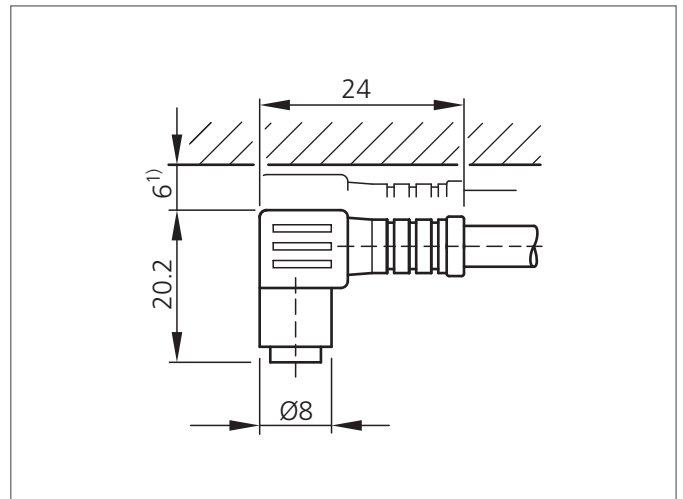
- Drag chain compatible
- With click-stop device
- Durable PU coating
- Flexible lead design
- Good stripping properties
- High protection class
- Gold-plated plug-in contacts



### Safety instructions

The Instruments are not to be used for safety applications, in particular applications in which safety of persons depends on proper operation of the instruments.

These instruments shall exclusively be used by qualified personnel.



TECHNICAL INFORMATION (typ.)	+20°C, 24V DC
Size	Click-stop device for screw M8 (thread)
Design	angled
Length	5.000 mm
Characteristics	click-stop device
Service voltage	< 60 V AC/DC
LED indicator	no
Ambient temperature	-30 ... +80°C (fixed), -5 ... +80°C (moved)
Protection class	IP 67
Material	PUR (Cable) PUR (connector)
Connection	Connector, M8, 3-poled
Drag chain compatible	Yes
Drag chain properties	2 Mio. (Bending cycles) 70 mm (Minimum bending radius)