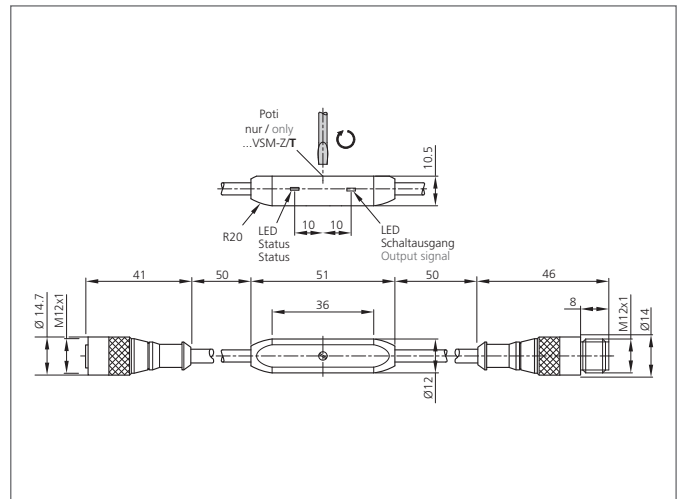
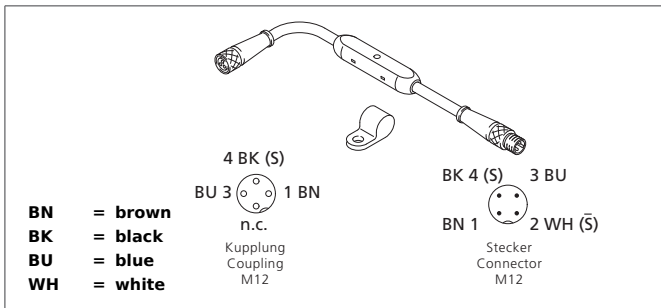
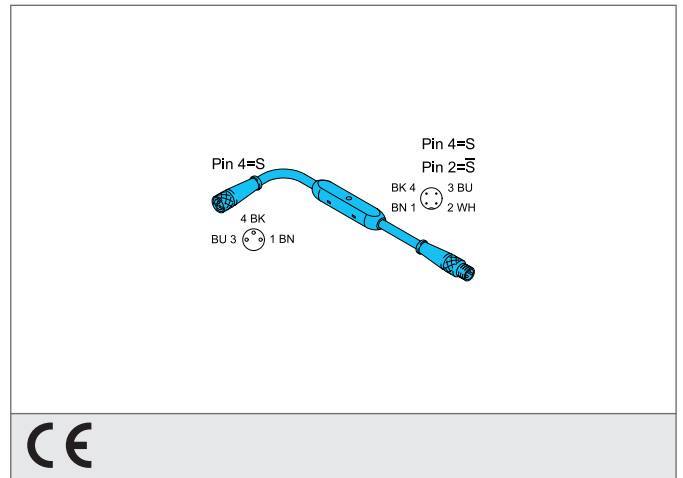


VKHM-Z/VSM-Z/P4 Multifunctional Adapter

- Suitable for all kind of standard sensors
- Compact construction
- Simple and fast implementation of other functions
- High temperature resistance
- LED indication of status and output signal



Safety instructions

The Instruments are not to be used for safety applications, in particular applications in which safety of persons depends on proper operation of the instruments.
These instruments shall exclusively be used by qualified personnel.

TECHNICAL INFORMATION (typ.)		+20°C, 24V DC
Operating principle		npn antivalent signal
Size		M12 x 1 (thread)
Maximum rating		200 mA, short-circuit-proof
Service voltage		10 ... 35 V DC
Internal power consumption		< 20 mA
Input		npn
Switching output		npn (2x)
Switching frequency		3.500 Hz
Ambient temperature		-20 ... +70 °C
Protection class		IP 67
Protection degree		III, operation on protective low voltage
For		d
Casing material		plastics
Connection		Coupling M12, 3-poled / Connector M12, 4-poled
Min. pulse stretching		> 0,1 ms