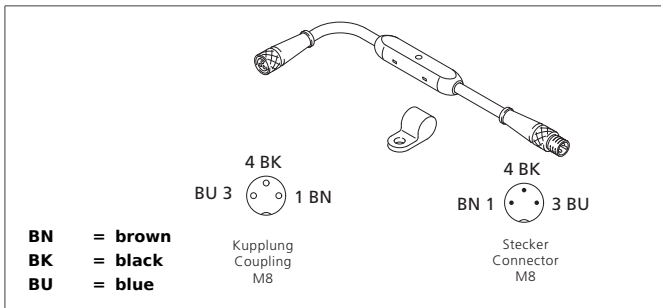
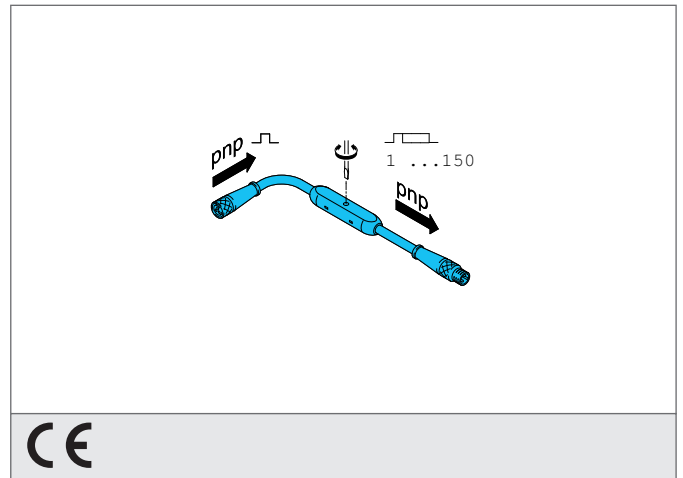


TKHM-Z/TSM-Z/T

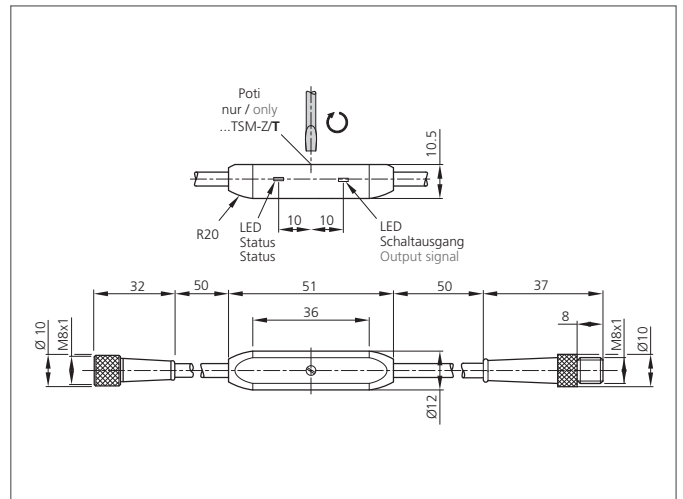
Multifunctional Adapter

- Suitable for all kind of standard sensors
- Compact construction
- Simple and fast implementation of other functions
- High temperature resistance
- LED indication of status and output signal



Safety instructions

The Instruments are not to be used for safety applications, in particular applications in which safety of persons depends on proper operation of the instruments. These instruments shall exclusively be used by qualified personnel.



| TECHNICAL INFORMATION (typ.) | | +20°C, 24V DC |
|------------------------------|--|--|
| Operating principle | | pnp pulse stretching |
| Size | | M8 x 1 (thread) |
| Characteristics | | metal coupling ring |
| Maximum rating | | 200 mA, short-circuit-proof |
| Service voltage | | 10 ... 35 V DC |
| Internal power consumption | | < 20 mA |
| Input | | pnp |
| Switching output | | pnp, 1 ...150 ms |
| Switching frequency | | 500 Hz |
| Ambient temperature | | -20 ... +70 °C |
| Protection class | | IP 67 |
| Protection degree | | III, operation on protective low voltage |
| For | | d |
| Casing material | | plastics |
| Connection | | Connector/Coupling, M8, 3-poled |
| Min. pulse stretching | | > 0,1 ms |