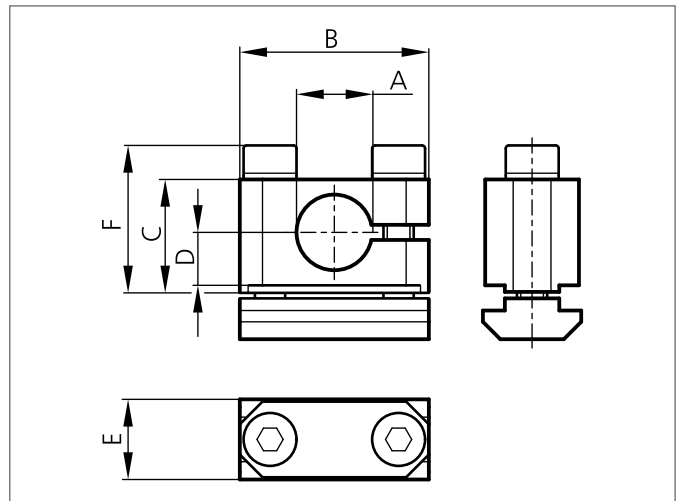
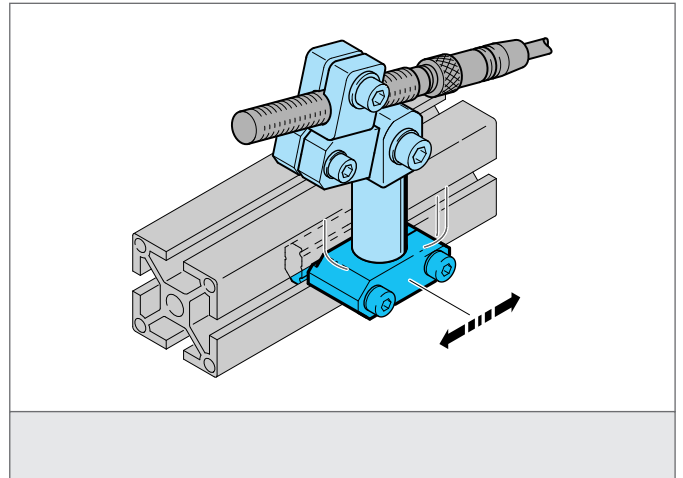


SH-KVB-L-10

Cross connector

- Highly flexible versatile mounting system
- All-purpose mounting
- Smooth adjustment
- Robust design



TECHNICAL INFORMATION (typ.)

Size	10 mm (Diameter A) 25 mm (Spacer measure B) 14 mm (Spacer measure C) 7 mm (Spacer measure C) 10 mm (Spacer measure E) 19,5 mm (Spacer measure F)
For	Clamping pin 10 mm
Casing material	metal
Product series	System holder SH