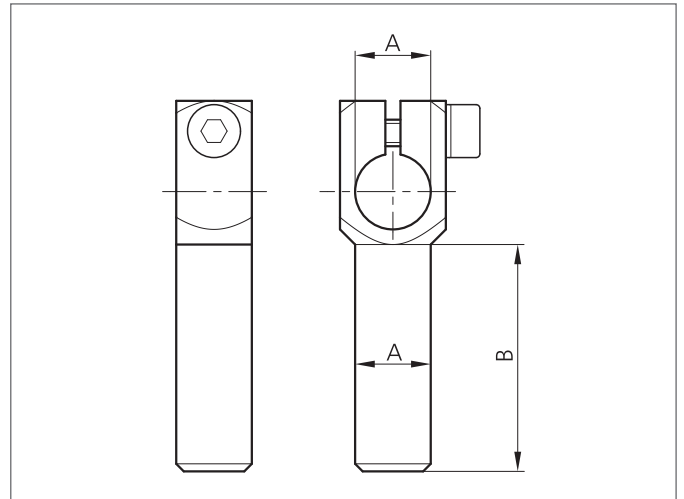
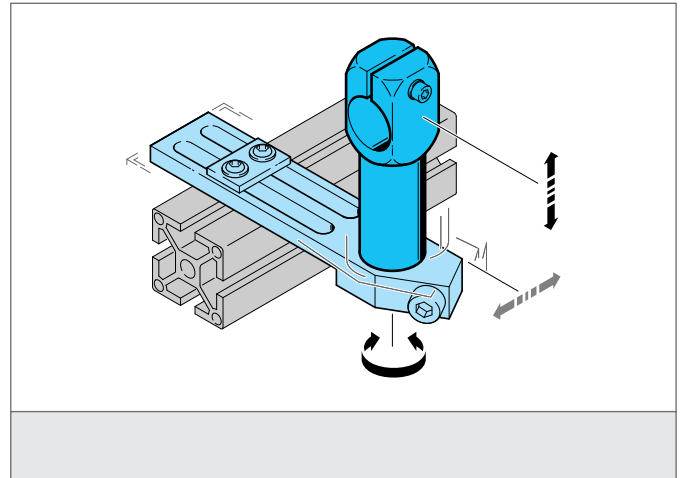


# SH-WKA-10-10-90

## Angle arm

- Highly flexible versatile mounting system
- All-purpose mounting
- Smooth adjustment
- Robust design



### TECHNICAL INFORMATION (typ.)

Size	10 mm (Diameter A) 90 mm (Spacer measure B)
For	Clamping pin 10 mm
Casing material	metal
Product series	System holder SH