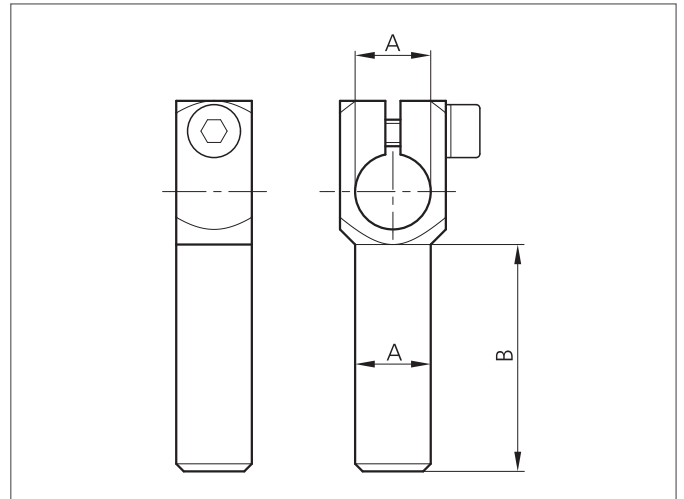
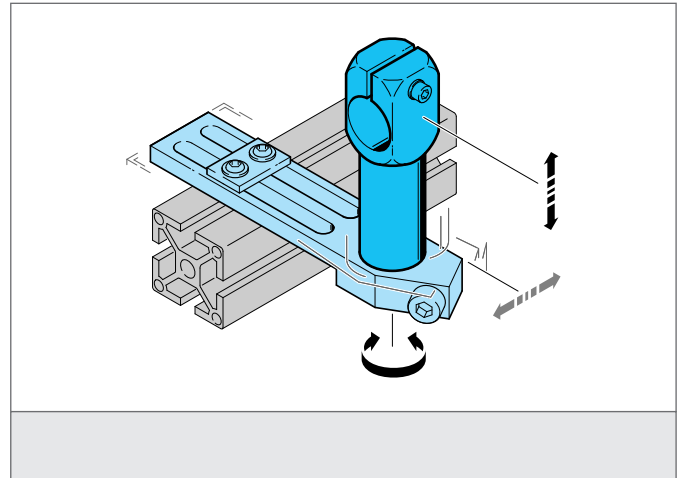


SH-WKA-20-20-150

Angle arm

- Highly flexible versatile mounting system
- All-purpose mounting
- Smooth adjustment
- Robust design



TECHNICAL INFORMATION (typ.)

Size	20 mm (Diameter A) 150 mm (Spacer measure B)
For	Clamping pin 20 mm
Casing material	metal
Product series	System holder SH