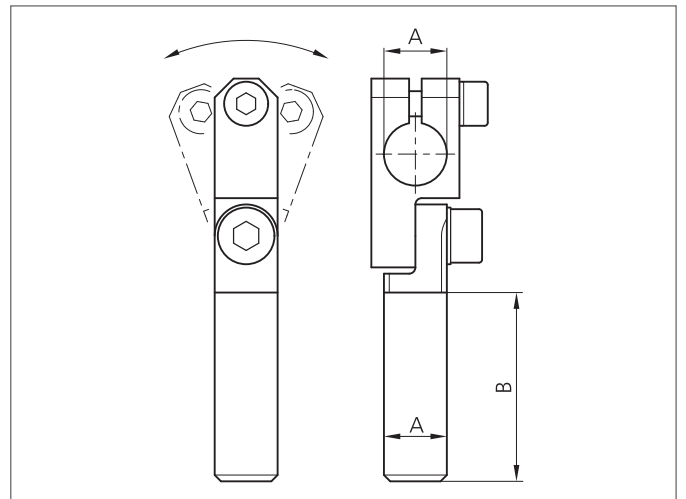
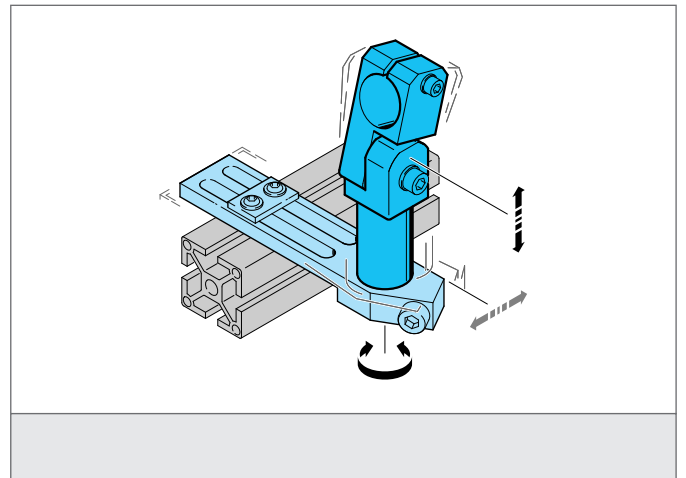


SH-GLA-10-10-60

Articulated arm

- Highly flexible versatile mounting system
- All-purpose mounting
- Smooth adjustment
- Robust design



TECHNICAL INFORMATION (typ.)

Size	10 mm (Diameter A) 60 mm (Spacer measure B)
Characteristics	Adjustable
For	Clamping pin 10 mm
Casing material	metal
Product series	System holder SH