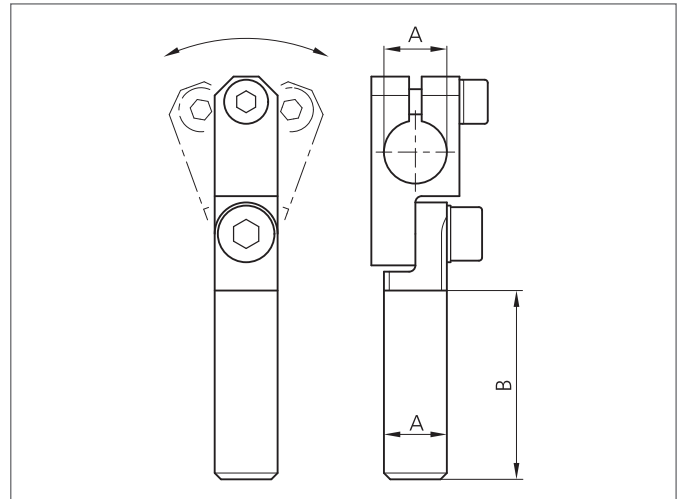
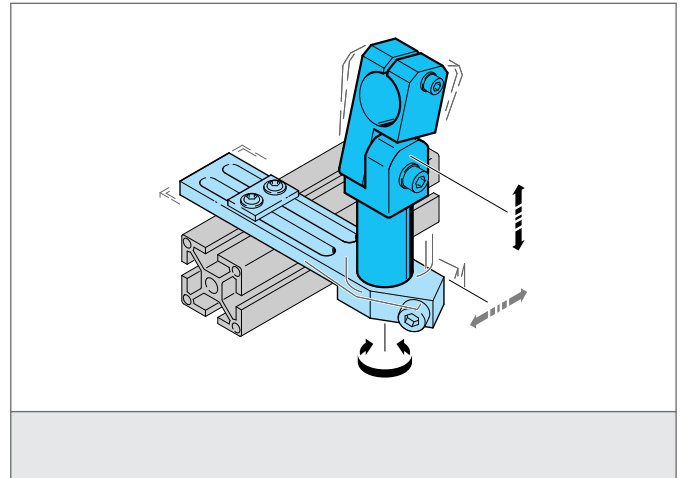


# SH-GLA-14-14-80

## Articulated arm

- Highly flexible versatile mounting system
- All-purpose mounting
- Smooth adjustment
- Robust design



### TECHNICAL INFORMATION (typ.)

Size	14 mm (A) (Diameter A) 80 mm (B) (Spacer measure B)
Characteristics	Adjustable
For	Clamping pin 14 mm
Casing material	metal
Product series	System holder SH