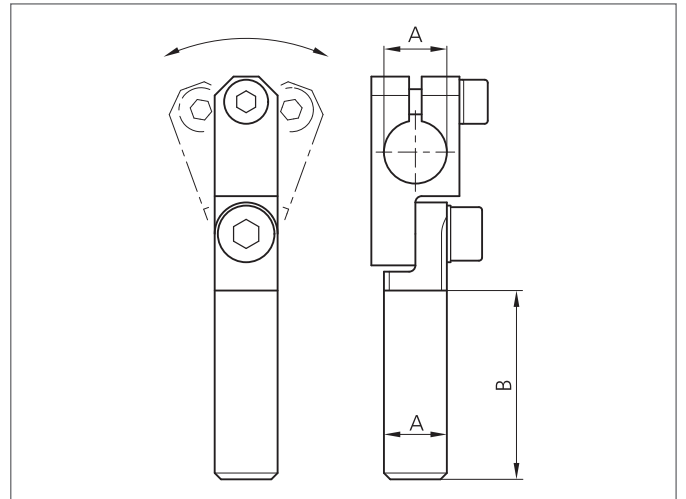
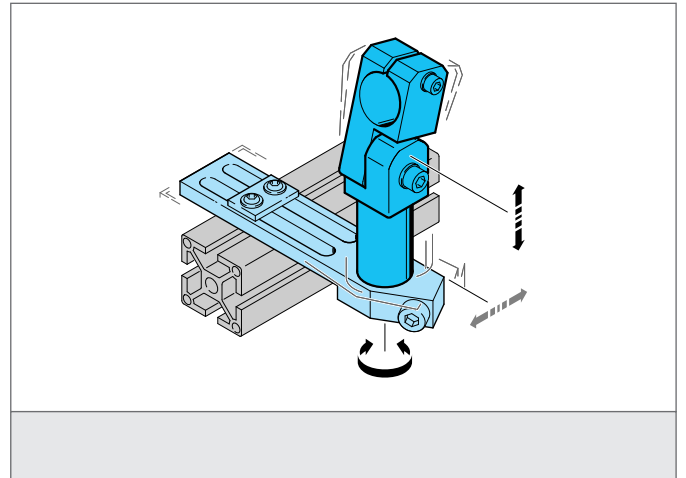


SH-GLA-14-14-120

Articulated arm

- Highly flexible versatile mounting system
- All-purpose mounting
- Smooth adjustment
- Robust design



TECHNICAL INFORMATION (typ.)

Size	14 mm (A) (Diameter A) 120 mm (Spacer measure B)
Characteristics	Adjustable
For	Clamping pin 14 mm
Casing material	metal
Product series	System holder SH