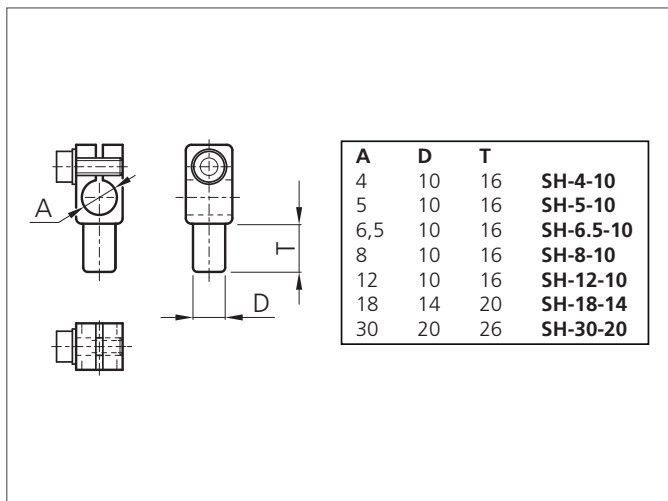
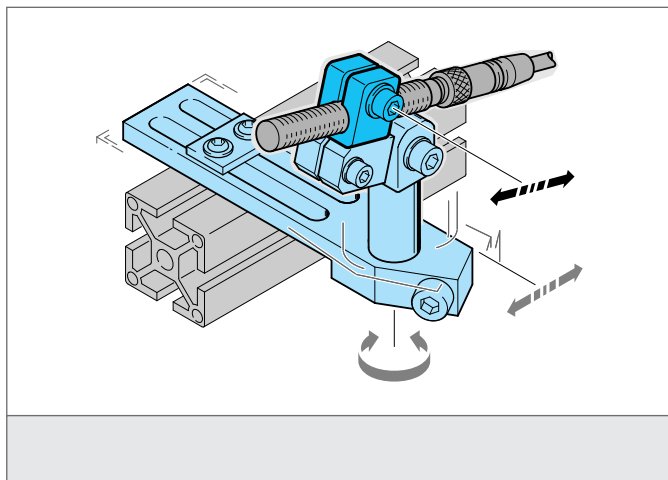


SH-5-10 Sensor Holder Øv5mm

- Highly flexible versatile mounting system
- All-purpose mounting
- Smooth adjustment
- Robust design



TECHNICAL INFORMATION (typ.)		+20°C, 24V DC
Size		5,0 mm (Diameter A) 10 mm (Spacer measure C)
For		Clamping pin 10 mm
Casing material		polyamide
Product series		System holder HS, System holder SH