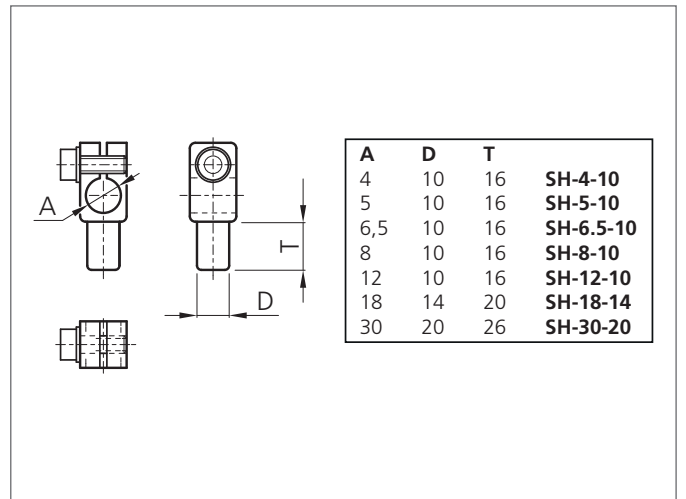
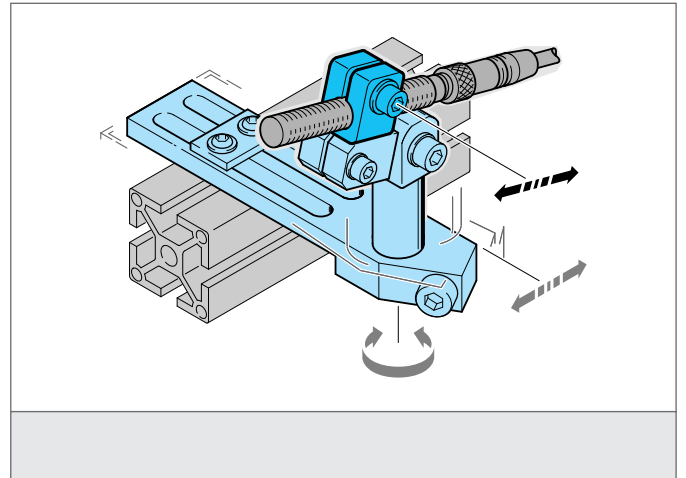


## SH-8-10 Sensor Holder Ø 8mm

- Highly flexible versatile mounting system
- All-purpose mounting
- Smooth adjustment
- Robust design



### TECHNICAL INFORMATION (typ.)

Size

**+20°C, 24V DC**

8,0 mm (Diameter A)  
10 mm (Spacer measure C)

For

Clamping pin 10 mm

Casing material

polyamide

Product series

System holder HS, System holder SH