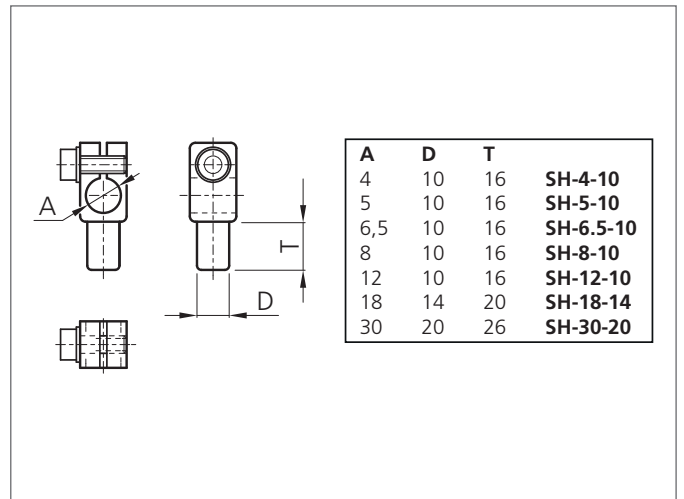
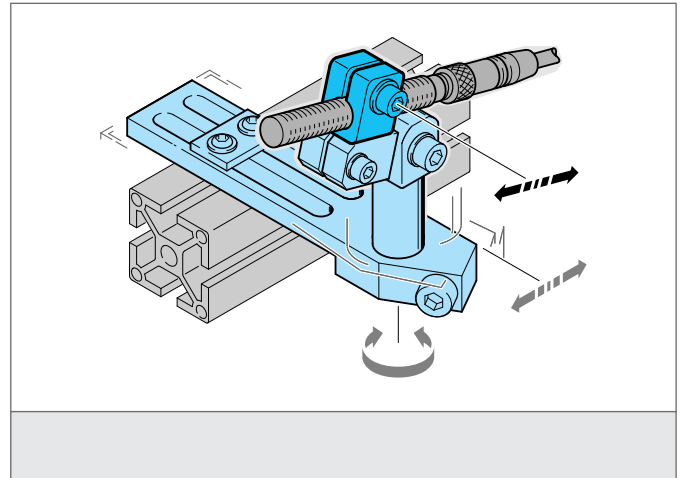


SH-12-10 Sensor Holder

- All-purpose mounting
- Smooth adjustment
- Robust design
- Highly flexible versatile mounting system



TECHNICAL INFORMATION (typ.)

Size	12 mm (Diameter A) 10 mm (Spacer measure C)
For	Clamping pin 10 mm
Casing material	polyamide
Product series	System holder HS, System holder SH