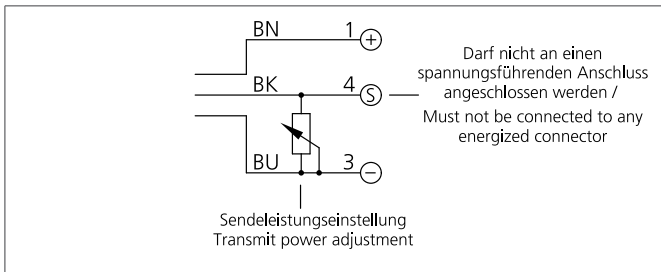
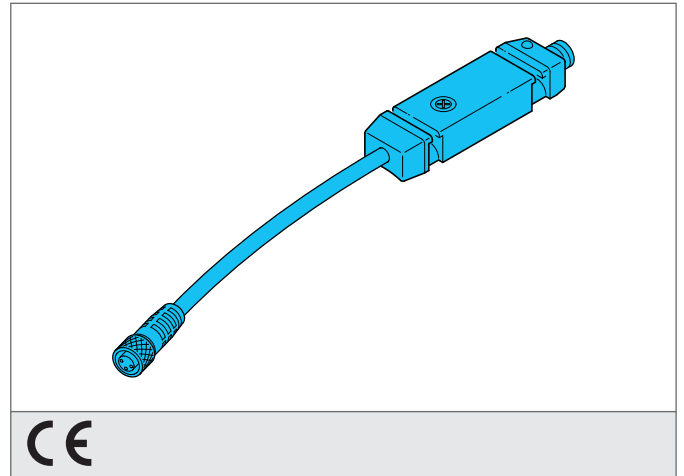


FM 70-2-TS

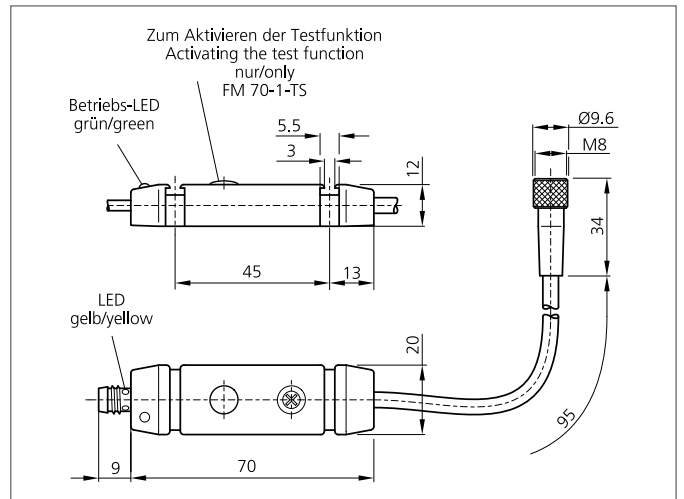
Functional Module

- Adjusting the transmit power
- 4-turn potentiometer
- Protection class IP 67



Safety instructions

The Instruments are not to be used for safety applications, in particular applications in which safety of persons depends on proper operation of the instruments.
These instruments shall exclusively be used by qualified personnel.



TECHNICAL INFORMATION (typ.)	+20°C, 24V DC
Operating principle	Transmit power adjustment
Maximum rating	200 mA
Service voltage	10 ... 35 V DC
Ambient temperature	-20 ... +60 °C
Protection class	IP 67
For	e
Casing material	plastics (polycarbonate - PC)
Connection	Coupling, Connector, M8, 3-poled