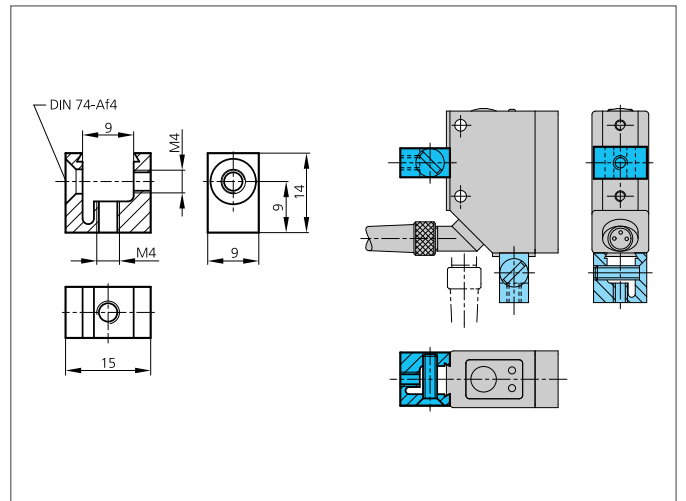
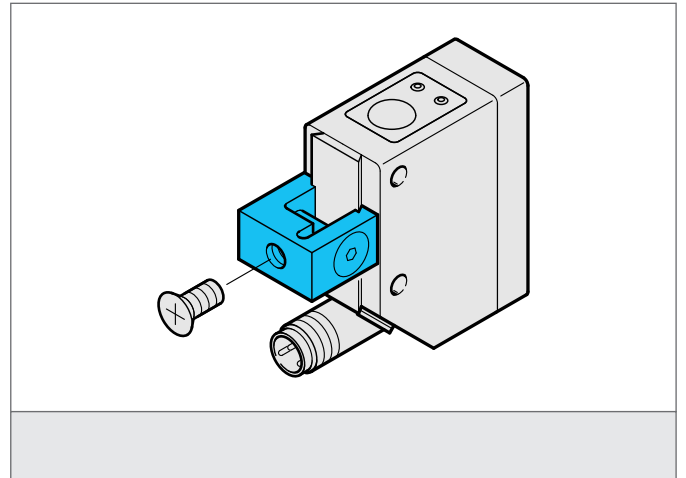


SH-S41-SN

Sensor holder

- Dovetail groove for secure mounting
- All-purpose mounting
- Smooth adjustment
- Robust design



TECHNICAL INFORMATION (typ.)

Mounting

M4 screws (included in delivery)

For

Housing with dovetail groove 10 mm

Casing material

Aluminium