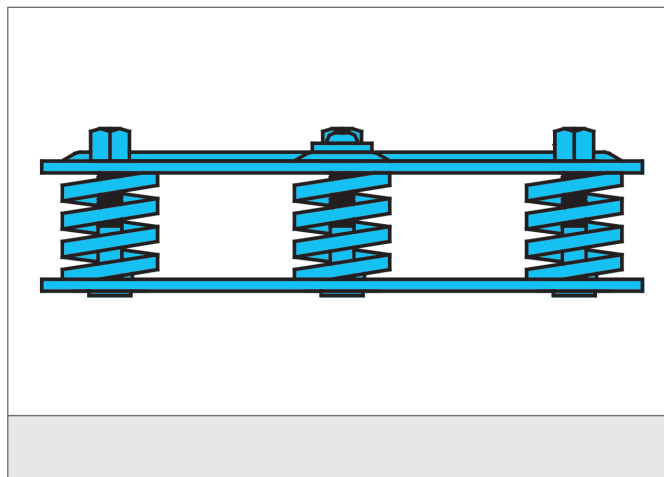


FMC-CB

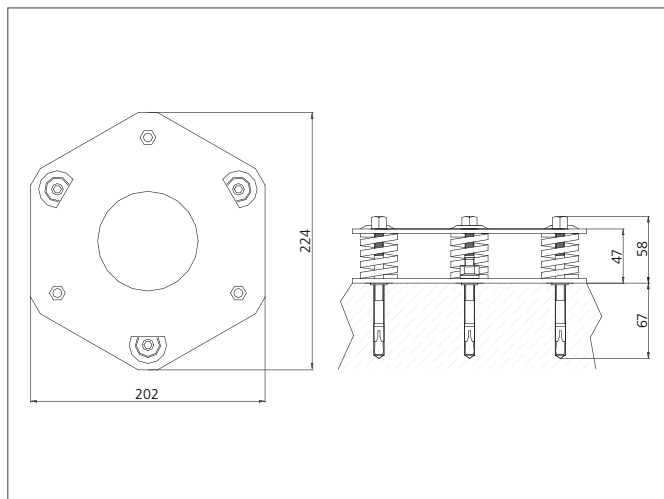
Base for mounting column

- Double plate with steel springs for fine adjustment
- Steel anchor bolts enclosed
- Robust design



Safety instructions

All the installation, connection and safety regulations, as per our technical information, have to be strictly adhered to. The set-up of the products have to be made by skilled staff, only. Repair exclusively made by di-soric.



TECHNICAL INFORMATION (typ.)		+20°C, 24V DC
Mounting		3 mounting holes, Ø 10 mm
Operating principle		Base for mounting column
Size		202 x 224 x 58 mm (Dimensions)
Adjustment range		10 mm (3 hexagonal nuts)
For		Mounting columns FMC
Casing material		Steel black
Scope of delivery		Double plate base, 3 steel anchor bolts, Fixing material