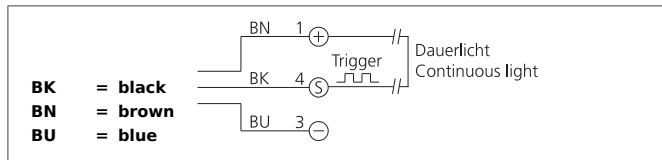


## BEK-P30V-G0T-IBS

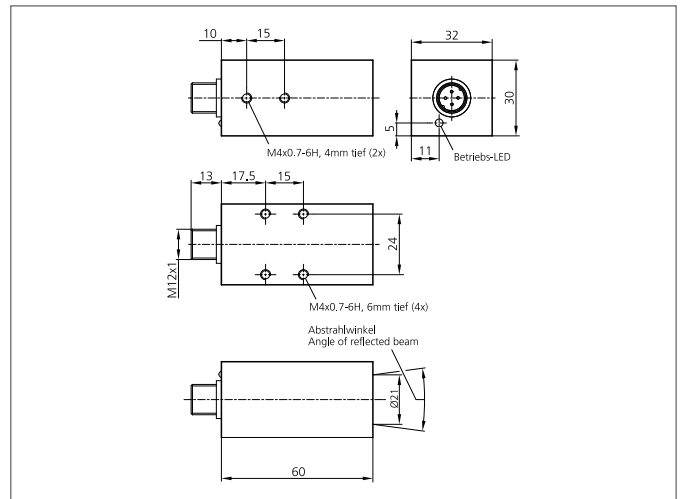
### Spotlight

- Robust stainless steel casing for use in the pharma, beverage and food industry
- Constant level of light intensity over the entire voltage range
- Homogenous luminous field
- External trigger input
- High efficiency



#### Safety instructions

The Instruments are not to be used for safety applications, in particular applications in which safety of persons depends on proper operation of the instruments.  
These instruments shall exclusively be used by qualified personnel.



TECHNICAL INFORMATION (typ.)		+20°C, 24V DC
Characteristics		Internal control of power output
Light colour		Infrared, 850 nm
Emission angle		30°
Illumination intensity		1.800 µW/cm <sup>2</sup> (0,2 m), 300 µW/cm <sup>2</sup> (0,5 m)
Service voltage		10 ... 35 V DC (Supply Class 2)
Internal power consumption		max. 190 mA, (10 V DC)
Light outlet		axial
Trigger input low level		0 ... <2,8 V
Trigger input high level		> 3,3 ... 35 V
Power		2,3 W (10...35 V DC)
Shock-/vibration load		10 ... 55 Hz / 1,0 mm / 30 g
Inverse polarity protection		Yes
Display		LED: green - operation indicator
On-delay time (Trig.)		0,380 ms
Switch off delay (Trig.)		0,070 ms
Ambient temperature		0 ... +50 °C
Protection class		IP 69K
Protection degree		III, operation on protective low voltage
Risk group (DIN EN 62471)		Free group
Casing material		stainless steel V4A, (1.4404 / AISI 316L - 1.4571 / AISI 316Ti)
Connection		Connector, M12, 3-poled
Connecting cable		VK ...