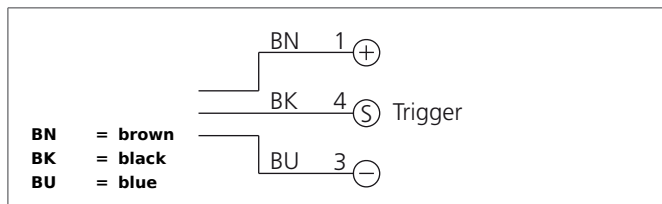
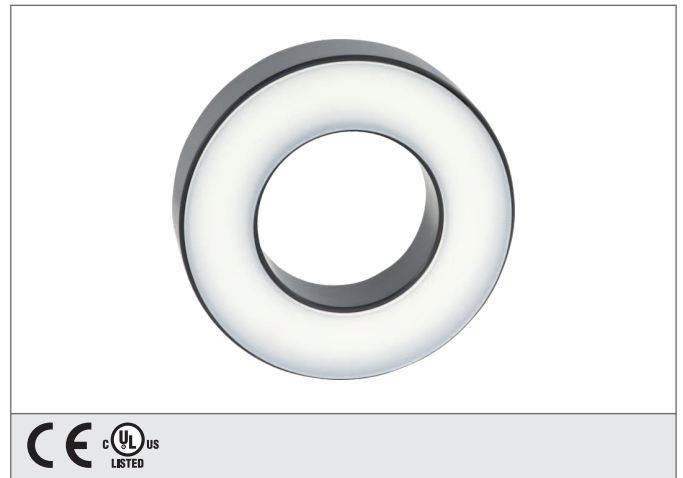


BEK-R70/30-G0TI-IBS-CLR

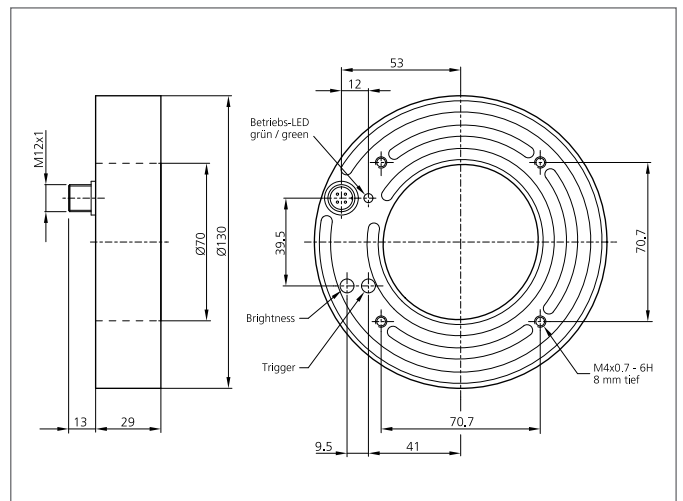
Ringlight

- Constant level of light intensity over the entire voltage range
- Internal control of power output
- Homogenous illumination
- High protection class IP 67
- External trigger input
- High efficiency
- Light intensity can be adjusted
- Low levels of heat produced
- Sturdy housing design
- Metal casing



Safety instructions

The Instruments are not to be used for safety applications, in particular applications in which safety of persons depends on proper operation of the instruments. These instruments shall exclusively be used by qualified personnel.



TECHNICAL INFORMATION (typ.)		+20°C, 24V DC
Size		Ø 70 / Ø 130 mm (Diameter)
Design		Ringlight
Characteristics		Internal control of power output
Light colour		Infrared, clear, 850 nm
Emission angle		30°
Illumination intensity		5.200 µW/cm ² (0,1 m), 4.900 µW/cm ² (0,2 m), 1.700 µW/cm ² (0,5 m)
Service voltage		18 ... 35 V DC (Supply Class 2)
Internal power consumption		370 mA, (24 V DC)
Trigger input low level		0 ... <2,8 V
Trigger input high level		> 3,3 ... 35 V
Power		8,9 W (24 V DC)
Shock-/vibration load		10 ... 55 Hz / 1,0 mm / 30 g
Inverse polarity protection		Yes
Display		LED: green - operation indicator
Ambient temperature		0 ... +40 °C
Insulation voltage endurance		500 V
Protection class		IP 67
Protection degree		III, operation on protective low voltage
Risk group (DIN EN 62471)		Free group
Casing material		Aluminium anodized
Material		PMMA, clear (Protection optics)
Connection		Connector, M12, 3-poled

BEK-R70/30-G0TI-IBS-CLR
Ringlight



TECHNICAL INFORMATION (typ.)

Connecting cable

+20°C, 24V DC

VK ...