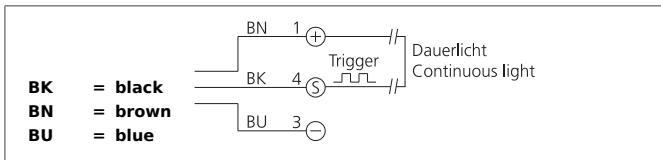


BEK-P60V-G5T-IBS Spotlight

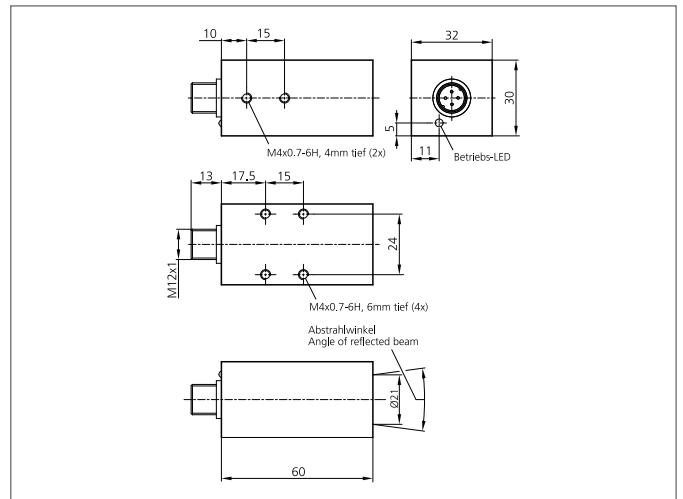


- Robust stainless steel casing for use in the pharma, beverage and food industry
- Constant level of light intensity over the entire voltage range
- Homogenous luminous field
- External trigger input
- High efficiency



Safety instructions

The Instruments are not to be used for safety applications, in particular applications in which safety of persons depends on proper operation of the instruments.
These instruments shall exclusively be used by qualified personnel.



TECHNICAL INFORMATION (typ.)	+20°C, 24V DC
Characteristics	Internal control of power output
Light colour	White, 5600 K
Emission angle	60°
Illumination intensity	3.500 Lux (0,1 m), 850 Lux (0,2 m), 150 Lux (0,5 m)
Service voltage	10 ... 35 V DC (Supply Class 2)
Internal power consumption	max. 320 mA, (10 V DC)
Light outlet	axial
Trigger input low level	0 ... <2,8 V
Trigger input high level	> 3,3 ... 35 V
Power	2,5 W (10...35 V DC)
Shock-/vibration load	10 ... 55 Hz / 1,0 mm / 30 g
Inverse polarity protection	Yes
Display	LED: green - operation indicator
On-delay time (Trig.)	0,410 ms
Switch off delay (Trig.)	0,090 ms
Ambient temperature	0 ... +50 °C
Protection class	IP 69K
Protection degree	III, operation on protective low voltage
Risk group (DIN EN 62471)	Free group
Casing material	stainless steel V4A, (1.4404 / AISI 316L - 1.4571 / AISI 316Ti)
Material	PMMA, clear (Protection optics)
Connection	Connector, M12, 3-poled
Connecting cable	VK ...