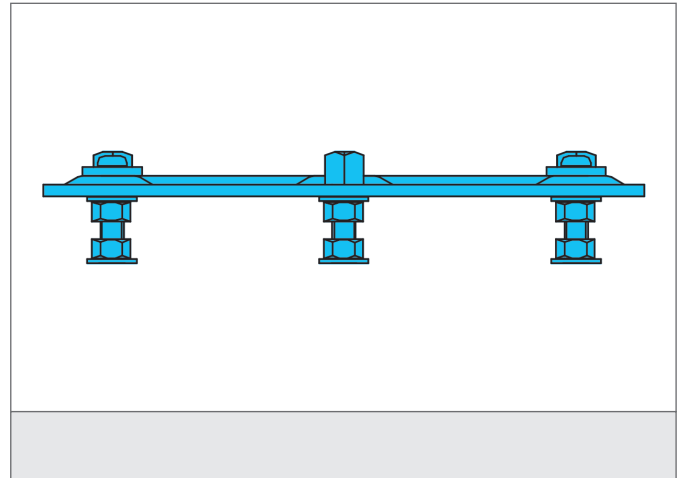


# FMC-CBL

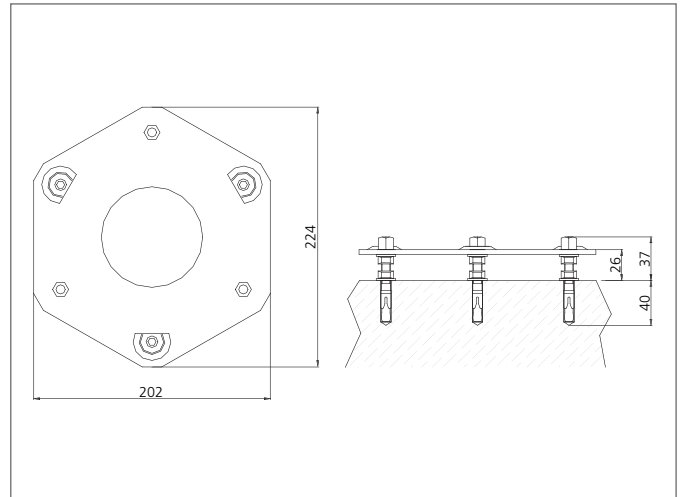
## Base for mounting column

- Steel anchor bolts enclosed
- Robust design



### Safety instructions

All the installation, connection and safety regulations, as per our technical information, have to be strictly adhered to. The set-up of the products have to be made by skilled staff, only. Repair exclusively made by di-soric.



TECHNICAL INFORMATION (typ.)		+20°C, 24V DC
Mounting		3 mounting holes, Ø 8 mm
Operating principle		Base for mounting column
Size		202 x 224 x 37 mm (Dimensions)
For		Mounting columns FMC
Casing material		brass black
Scope of delivery		Single plate base, 3 steel anchor bolts, Fixing material