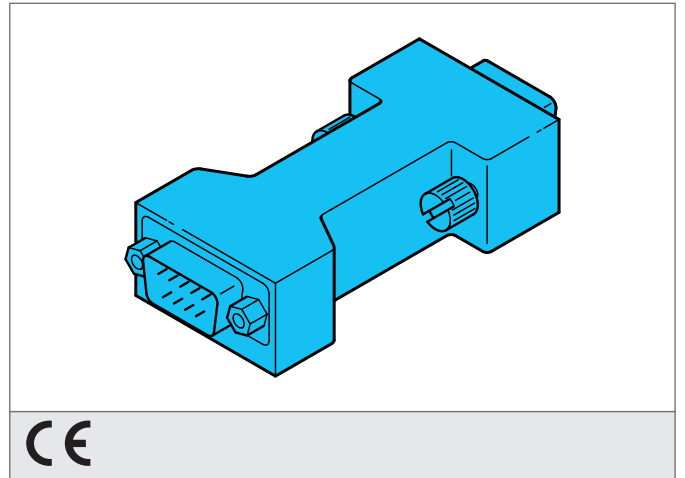


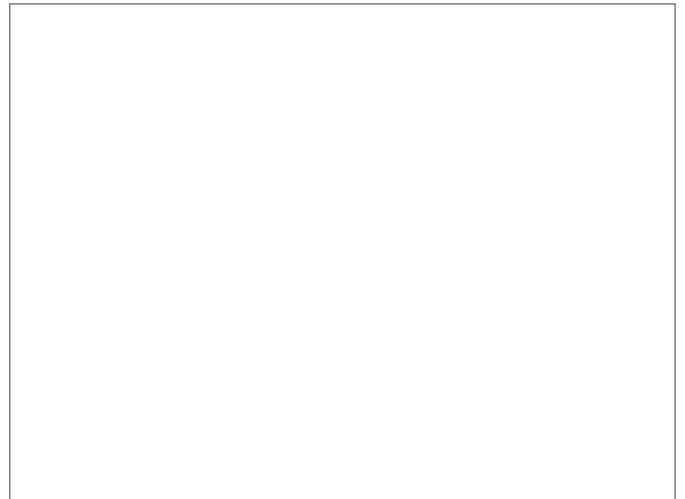
# VSID-A-24/5V-S Adapter

- Voltage converter 24V DC to 5V DC
- Optoisolated connections
- Compact construction



## Safety instructions

The Instruments are not to be used for safety applications, in particular applications in which safety of persons depends on proper operation of the instruments.  
These instruments shall exclusively be used by qualified personnel.



## TECHNICAL INFORMATION (typ.)

Size	78 x 33 x 19 mm (Dimensions)
Characteristics	24V DC to 5V DC, Optoisolated in- and output
Service voltage	10 ... 28 V DC
Internal power consumption	< 10 mA, (24 V DC)
Ripple	200 mV p-p max.
Output current	Max. 100 mA
Display	Operating LED
For	5V-devices Vision and ID
Casing material	plastics
Connection	Connector Sub-D 15-poled to connector Sub-D 15-poled