

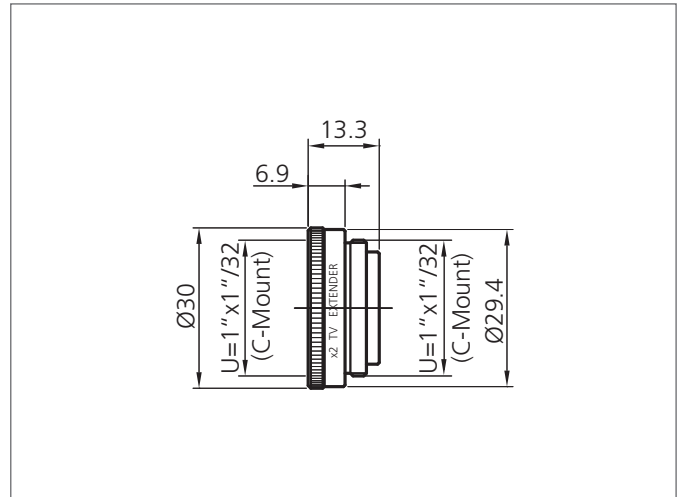
O-2.0x Converter

- Robust design
- Easy-to-install



Safety instructions

The Instruments are not to be used for safety applications, in particular applications in which safety of persons depends on proper operation of the instruments.
These instruments shall exclusively be used by qualified personnel.



TECHNICAL INFORMATION (typ.)

For	Vision Systems and ID Systems
Screw thread	C-Mount
Magnification	2, Converter