

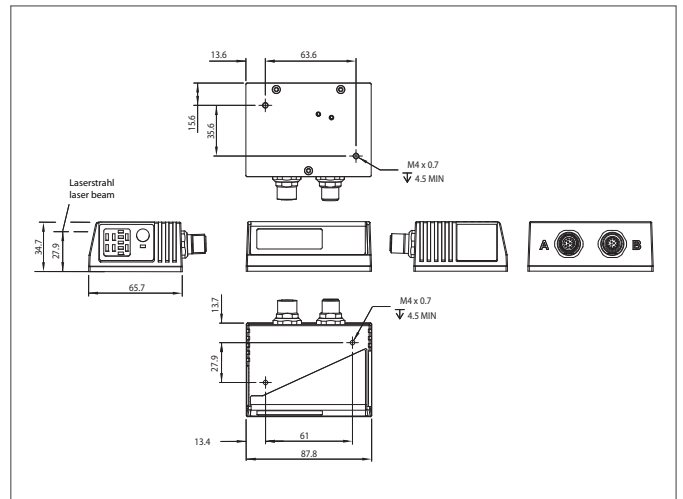
# ID-02-LR-3-ES Laser-Scanner

- Up to 1.400 scans per second
- Reading distance 25 to 940 mm
- X-Mode Technology



## Safety instructions

Inproper use may result in hazardous radiation exposure. Pay attention to accident prevention rules and laser class. The instruments are not to be used for safety applications, in particular applications in which safety of persons depends on proper operation of the instruments. These instruments shall exclusively be used by qualified personnel.



TECHNICAL INFORMATION (typ.)	+20°C, 24V DC
Size	88 x 66 x 35 mm (Dimensions)
Emitted light	Red light laser, 655 nm
Laser class	2 (IEC 60825-1)
Service voltage	10 ... 28 V DC
Internal power consumption	180 mA, (24 V DC)
Trigger input	4,5 ... 28 V DC, 13 mA (24 V DC)
Outputs 1, 2 and 3	5,1 ... 28 V DC, <100 mA at 24 V DC (current limited by user)
Interface	Ethernet, RS 232, RS 422, RS 485
Laser power	100 µW
Ambient temperature	0 ... +50 °C
Protection class	IP 54
Connection	Ethernet M12, 8-poled, I/O-Cable M12, 12-poled
Label contrast	25% min. (655 nm)
Symbologies - 1D-Codes	Code 39, Code 93, Code 128, Interleaved 2 of 5, GS1 Databar Applikations standards: UCC / EAN-128, AIAG, Codabar, Pharmacode
Symbologies - Stacked codes	PDF 417, Micro PDF 417
Protocols	Point-to-Point, Point-to-Point w/RTS/CTS, Point-to-Point w/XON/XOFF, Point-to-Point w/RTS/CTS & XON/XOFF, Polling Mode D, User Defined, TCP / IP, Ethernet / IP
Weight	212 g
Scanning	Raster-Line
optical density	High
Reading speed	300 ... 1.400 scans / s (adjustable)

**ID-02-LR-3-ES**  
**Laser-Scanner**



**TECHNICAL INFORMATION (typ.)**

Position scanner to code

**+20°C, 24V DC**

Tilt >60°, Pitch ± 50°, Skew ± 40°