

## ID-06-IM2-15-ES

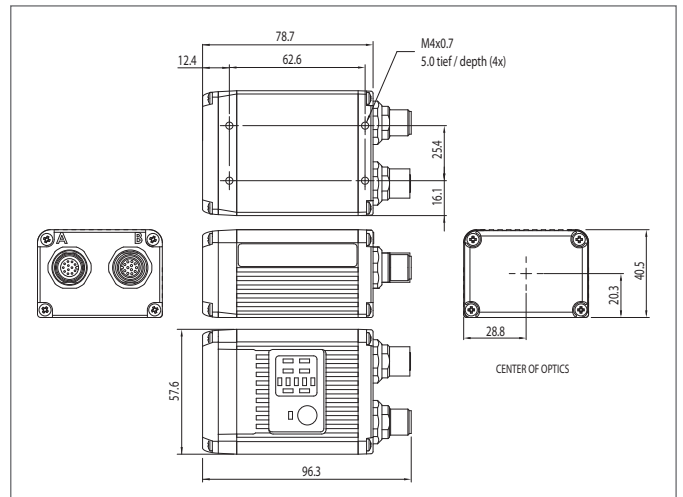
### Image based ID-Reader

- Up to 60 decodes per second
- Integrated lighting
- "liquid lens" autofocus & modular zoom
- Integrated Ethernet network
- X-Mode Technology



#### Safety instructions

Inproper use may result in hazardous radiation exposure. Pay attention to accident prevention rules and laser class. The instruments are not to be used for safety applications, in particular applications in which safety of persons depends on proper operation of the instruments. These instruments shall exclusively be used by qualified personnel.



TECHNICAL INFORMATION (typ.)		+20°C, 24V DC
Size		40.5 x 57.6 x 96.3 mm (Dimensions)
Emitted light		Red light laser, 655 nm, (for positioning)
Laser class		1 (IEC 60825-1)
Service voltage		5 ... 28 V DC
Internal power consumption		105 mA, (24 V DC)
Resolution		752 x 480 pixel
Trigger input		4,5 ... 28 V DC, 13 mA (24 V DC)
Outputs 1, 2 and 3		1 ...28 V DC, <100 mA at 24 V DC (current limited by user)
Interface		Ethernet, RS 232, RS 422, RS 485
Laser power		564 µW
Optics		15° optics
Ambient temperature		0 ... +50 °C
Protection class		IP 65
Connection		Ethernet M12, 8-poled, I/O-Cable M12, 12-poled
Symbologies - 1D-Codes		Code 39, Code 93, Code 128, Interleaved 2 of 5, BC 412, UPC / EAN, Codabar, Pharmacode, PLANET, PostNet, Japanese Post, Intelligent Mail, Royal Mail, Australian Post, KIX
Symbologies - 2D-Codes		Data Matrix (ECC 0-200), QR Code, Micro QR Code, Aztec Code
Symbologies - Stacked codes		PDF 417, Micro PDF 417, GS1 Databar (Composite & Stacked)
Protocols		Point-to-Point, Point-to-Point w/RTS/CTS, Point-to-Point w/XON/XOFF, Point-to-Point w/RTS/CTS & XON/XOFF, Ethernet / IP, Ethernet TCP / IP
Weight		280 g
Scanning		Optical

# ID-06-IM2-15-ES

## Image based ID-Reader



### TECHNICAL INFORMATION (typ.)

**+20°C, 24V DC**

Reading speed

Up to 60 decodings / s

Position scanner to code

Tilt 360°, Pitch  $\pm 30^\circ$ , Skew  $\pm 30^\circ$

Image sensor

CMOS