

ID-06-IC3-00-ES

Image based ID-Reader

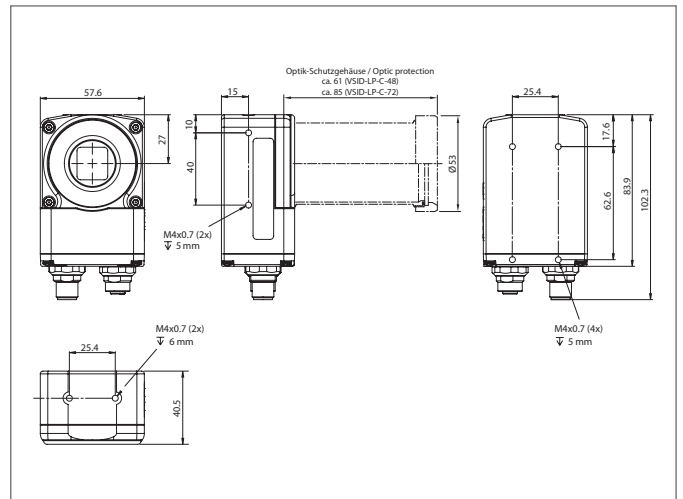


- Up to 20 decodes per second
- C-Mount version
- Integrated Ethernet network
- X-Mode Technology



Safety instructions

The Instruments are not to be used for safety applications, in particular applications in which safety of persons depends on proper operation of the instruments.
These instruments shall exclusively be used by qualified personnel.



TECHNICAL INFORMATION (typ.)	+20°C, 24V DC
Size	102.3 x 57.6 x 40.5 mm (Dimensions)
Service voltage	5 ... 28 V DC
Internal power consumption	105 mA, (24 V DC)
Resolution	1.280 x 960 pixel
Trigger input	4,5 ... 28 V DC, 13 mA (24 V DC)
Outputs 1, 2 and 3	1 ... 28 V DC, <100 mA at 24 V DC (current limited by user)
Interface	Ethernet, RS 232, RS 422, RS 485
Ambient temperature	0 ... +50 °C
Protection class	IP 65, IP 67, (when operated with VSID-LP-C-xx)
Connection	Ethernet M12, 8-poled, I/O-Cable M12, 12-poled
Symbologies - 1D-Codes	Code 39, Code 93, Code 128, Interleaved 2 of 5, BC 412, UPC / EAN, Codabar, Pharmacode, PLANET, PostNet, Japanese Post, Intelligent Mail, Royal Mail, Australian Post, KIX
Symbologies - 2D-Codes	Data Matrix (ECC 0-200), QR Code, Micro QR Code, Aztec Code
Symbologies - Stacked codes	PDF 417, Micro PDF 417, GS1 Databar (Composite & Stacked)
Protocols	Point-to-Point, Point-to-Point w/RTS/CTS, Point-to-Point w/XON/XOFF, Point-to-Point w/RTS/CTS & XON/XOFF, Ethernet / IP, Ethernet TCP / IP
Weight	320 g
Scanning	Optical
Reading speed	Up to 20 decodings / s
Position scanner to code	Tilt 360°, Pitch ± 30°, Skew ± 30°
Image sensor	CCD