

## ID-07-IM3-2-US

### ID-Handheld

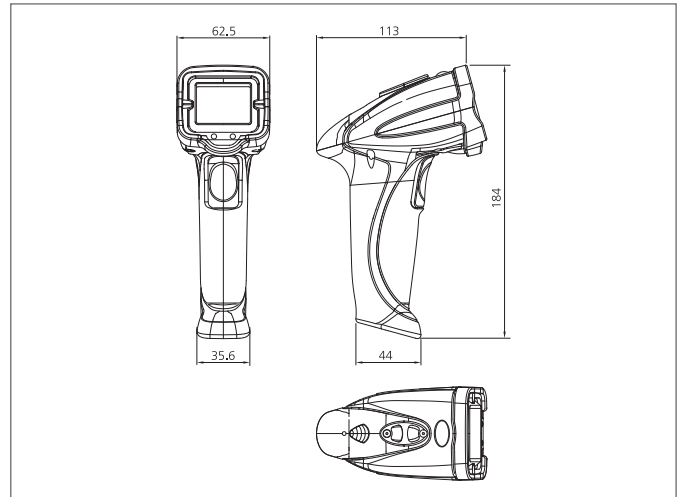


- Up to 10 decodes per second
- Reading distance: 0...51 mm
- USB - Interface
- Robust and ergonomic design



#### Safety instructions

The Instruments are not to be used for safety applications, in particular applications in which safety of persons depends on proper operation of the instruments.  
These instruments shall exclusively be used by qualified personnel.



TECHNICAL INFORMATION (typ.)	+20°C, 5V DC
Size	180 x 63 x 114 mm (Dimensions)
Service voltage	5 V DC
Internal power consumption	408 mA
Resolution	1.280 x 1.024 pixel
Interface	RS 232 (when operated with ID-K-U/S-2.5), USB
Ambient temperature	0 ... +50 °C
Connection	Cable, USB, 2 m, (included in delivery)
Symbologies - 1D-Codes	Code 39, Code 93, Code 128, Interleaved 2 of 5, BC 412, UPC / EAN, Codabar
Symbologies - 2D-Codes	Data Matrix (ECC 0-200), QR Code, Micro QR Code
Symbologies - Stacked codes	PDF 417, Micro PDF 417, GS1 Databar (Composite & Stacked)
Weight	204 g
Reading speed	Up to 10 decodings / s
Position scanner to code	Tilt 180°, Pitch ± 30°, Skew ± 30°
Image sensor	CMOS

