

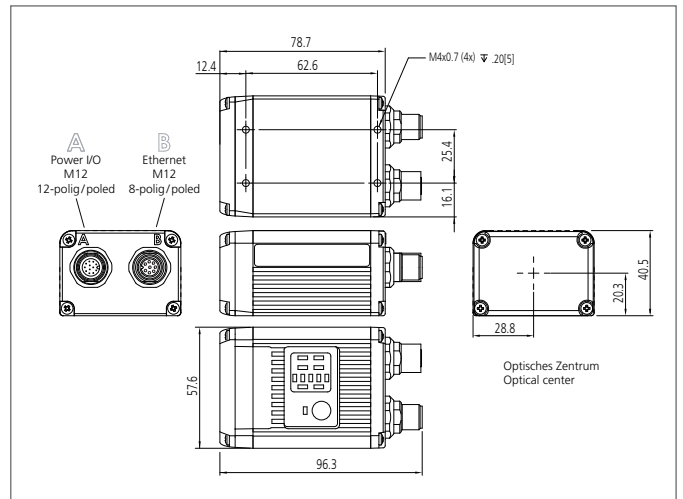
VS-06-BM2-15-ES Vision System

- Integrated with di-soric VS AutoVision software
- Industry proven machine vision tools
- Fully integrated with processor, lens and illumination
- Liquid lens autofocus
- Integrated Ethernet network
- Scaleable system - extended toolset available



Safety instructions

Inproper use may result in hazardous radiation exposure. Pay attention to accident prevention rules and laser class. The instruments are not to be used for safety applications, in particular applications in which safety of persons depends on proper operation of the instruments. These instruments shall exclusively be used by qualified personnel.



TECHNICAL INFORMATION (typ.)	+20°C, 24V DC
Size	40.5 x 57.6 x 96.3 mm (Dimensions)
Emitted light	Red light laser, 655 nm, (for positioning)
Laser class	1 (IEC 60825-1)
Service voltage	5 ... 28 V DC
Internal power consumption	max. 170 mA, (24 V DC)
Resolution	752 x 480 pixel
Trigger input	4,5 ... 28 V DC, 13 mA (24 V DC)
Outputs 1, 2 and 3	1 ...28 V DC, <100 mA at 24 V DC (current limited by user)
Interface	Ethernet, RS 232
Laser power	564 µW
Optics	15° optics
Ambient temperature	0 ... +45 °C
Protection class	IP 65
Connection	Ethernet M12, 8-poled, I/O-Cable M12, 12-poled
Sensor size	1/3"
Protocols	Point-to-Point, Point-to-Point w/XON/XOFF, TCP / IP, Ethernet / IP, Profinet
Weight	280 g
Image sensor	CMOS (Global shutter)
Focusing	Liquid-lens Autofocus
Frame rate	60 images/second (max.)