

VS-06-BC3-15-ES

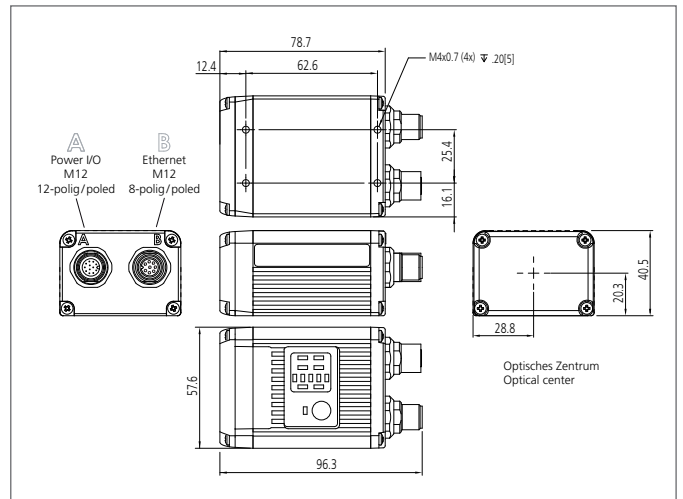
Vision System

- Integrated with di-soric VS AutoVision software
- Industry proven machine vision tools
- Fully integrated with processor, lens and illumination
- Liquid lens autofocus
- Integrated Ethernet network
- Scaleable system - extended toolset available



Safety instructions

Inproper use may result in hazardous radiation exposure. Pay attention to accident prevention rules and laser class. The instruments are not to be used for safety applications, in particular applications in which safety of persons depends on proper operation of the instruments. These instruments shall exclusively be used by qualified personnel.



| TECHNICAL INFORMATION (typ.) | +20°C, 24V DC |
|------------------------------|--|
| Size | 40.5 x 57.6 x 96.3 mm (Dimensions) |
| Emitted light | Red light laser, 655 nm, (for positioning) |
| Laser class | 1 (IEC 60825-1) |
| Service voltage | 5 ... 28 V DC |
| Internal power consumption | max. 170 mA, (24 V DC) |
| Resolution | 1.280 x 960 pixel |
| Trigger input | 4,5 ... 28 V DC, 13 mA (24 V DC) |
| Outputs 1, 2 and 3 | 1 ...28 V DC, <100 mA at 24 V DC (current limited by user) |
| Interface | Ethernet, RS 232 |
| Laser power | 564 µW |
| Optics | 15° optics |
| Ambient temperature | 0 ... +45 °C |
| Protection class | IP 65 |
| Connection | Ethernet M12, 8-poled, I/O-Cable M12, 12-poled |
| Sensor size | 1/3" |
| Protocols | Point-to-Point, Point-to-Point w/XON/XOFF, TCP / IP, Ethernet / IP, Profinet |
| Weight | 280 g |
| Image sensor | CCD (Global shutter) |
| Focusing | Liquid-lens Autofocus |
| Frame rate | 20 images/second (max.) |