

## VS-06-BM2-00-ES Vision System

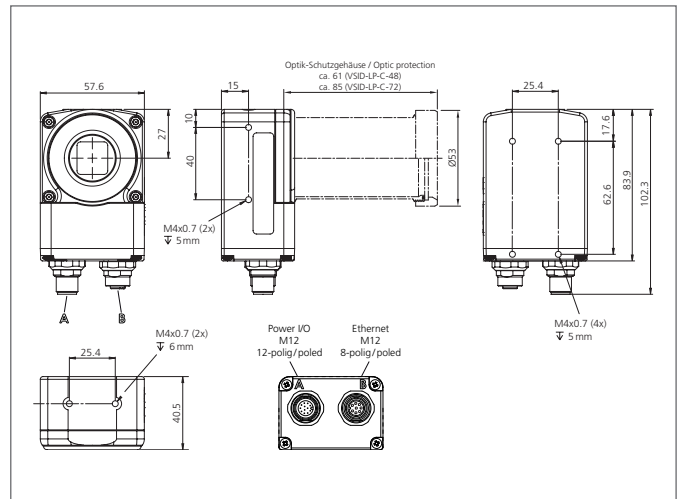
- Integrated with di-soric VS AutoVision software
- Industry proven machine vision tools
- C-Mount version
- Integrated Ethernet network
- Scalable system - extended toolset available



### Safety instructions

The Instruments are not to be used for safety applications, in particular applications in which safety of persons depends on proper operation of the instruments.

These instruments shall exclusively be used by qualified personnel.



TECHNICAL INFORMATION (typ.)	+20°C, 24V DC
Size	102.3 x 57.6 x 40.5 mm (Dimensions)
Service voltage	5 ... 28 V DC
Internal power consumption	105 mA, (24 V DC)
Resolution	752 x 480 pixel
Trigger input	4,5 ... 28 V DC, 13 mA (24 V DC)
Outputs 1, 2 and 3	1 ... 28 V DC, <100 mA at 24 V DC (current limited by user)
Interface	Ethernet, RS 232
Ambient temperature	0 ... +50 °C
Protection class	IP 65, IP 67, (when operated with VSID-LP-C-xx)
Connection	Ethernet M12, 8-poled, I/O-Cable M12, 12-poled
Sensor size	1/3"
Protocols	Point-to-Point, Point-to-Point w/XON/XOFF, TCP / IP, Ethernet / IP, Profinet
Weight	320 g
Image sensor	CMOS (Global shutter)
Focusing	C-Mount, manually
Frame rate	60 images/second (max.)