

VS-05-BM2-2-US Vision System

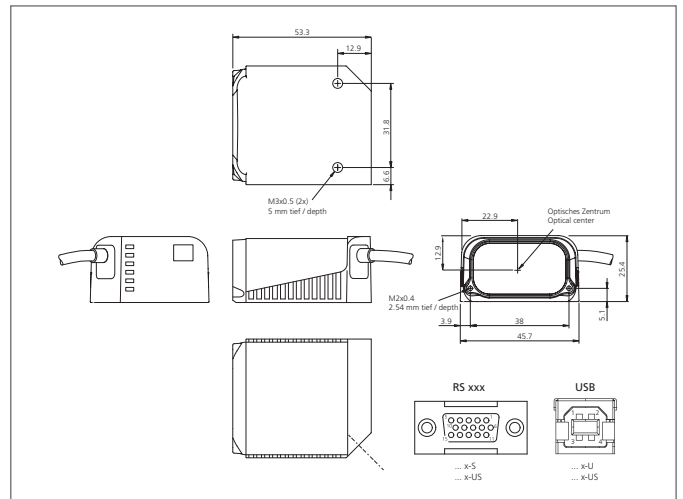


- Integrated with di-soric VS AutoVision software
- Autofocus
- Integrated lighting
- Compact design
- Scaleable system - extended toolset available



Safety instructions

The Instruments are not to be used for safety applications, in particular applications in which safety of persons depends on proper operation of the instruments.
These instruments shall exclusively be used by qualified personnel.



TECHNICAL INFORMATION (typ.)	+20°C, 5V DC
Size	25.4 x 45.7 x 53.3 mm (Dimensions)
Service voltage	5 V DC \pm 5%, (24 V with VSID-A-24/5V-S)
Internal power consumption	554 mA
Resolution	752 x 480 pixel
Trigger input	5 ... 28 V DC, 0,16 mA
Outputs 1, 2 and 3	5 V TTL compatible, npn 10 mA / pnp 10 mA
Interface	RS 232, USB
Ambient temperature	0 ... +40 °C
Protection class	IP 54
Connection	USB / Serial, (cable Sub-D 15-poles)
Sensor size	1/2"
Protocols	RS 232 and / or USB 2.0 (Ethernet Emulation)
Weight	57 g
optical density	Standard
Image sensor	CMOS (Global shutter)
Focusing	Motor Autofocus
Frame rate	60 images/second (max.)