

VS-05-BM2-3-US Vision System

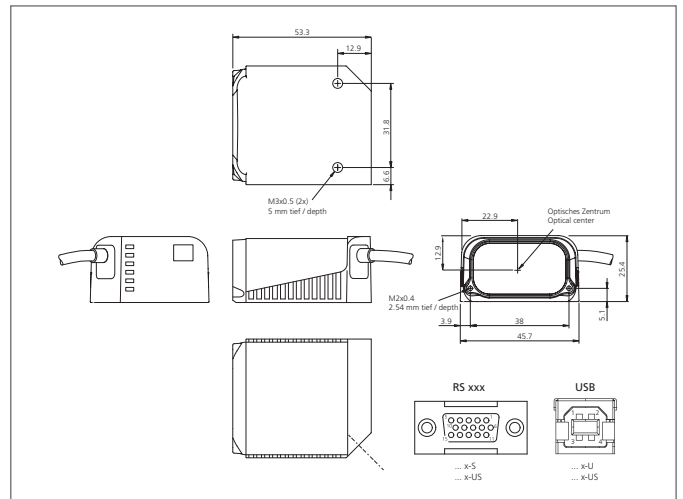


- Integrated with di-soric VS AutoVision software
- Autofocus
- Integrated lighting
- Compact design
- Scaleable system - extended toolset available



Safety instructions

The Instruments are not to be used for safety applications, in particular applications in which safety of persons depends on proper operation of the instruments.
These instruments shall exclusively be used by qualified personnel.



| TECHNICAL INFORMATION (typ.) | +20°C, 5V DC |
|------------------------------|--|
| Size | 25.4 x 45.7 x 53.3 mm (Dimensions) |
| Service voltage | 5 V DC ± 5%, (24 V with VSID-A-24/5V-S) |
| Internal power consumption | 554 mA |
| Resolution | 752 x 480 pixel |
| Trigger input | 5 ... 28 V DC, 0,16 mA |
| Outputs 1, 2 and 3 | 5 V TTL compatible, npn 10 mA / pnp 10 mA |
| Interface | RS 232, USB |
| Ambient temperature | 0 ... +40 °C |
| Protection class | IP 54 |
| Connection | USB / Serial, (cable Sub-D 15-poles) |
| Sensor size | 1/2" |
| Protocols | RS 232 and / or USB 2.0 (Ethernet Emulation) |
| Weight | 57 g |
| optical density | High |
| Image sensor | CMOS (Global shutter) |
| Focusing | Motor Autofocus |
| Frame rate | 60 images/second (max.) |
| | |
| | |
| | |