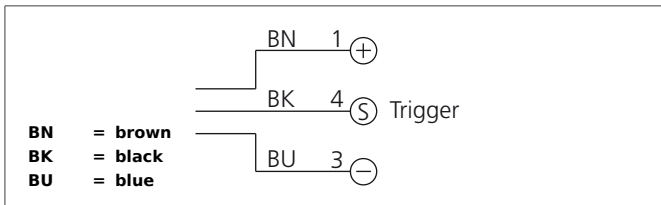


BEK-D70-G3TI-K-BS Darkfield Light

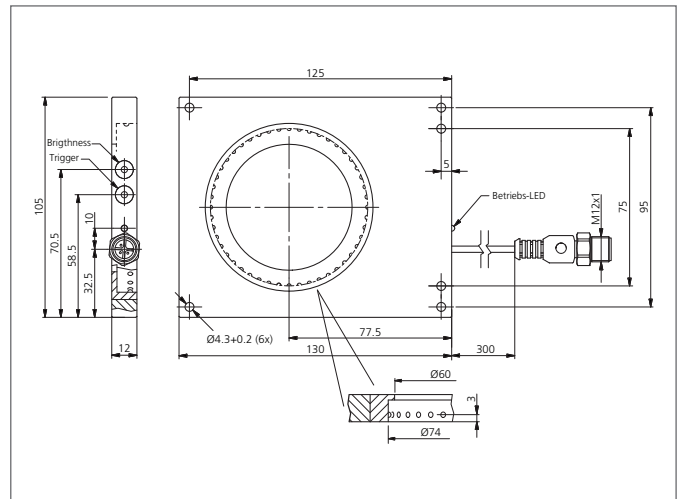
- To detect the finest change of surface
- Constant level of light intensity over the entire voltage range
- Homogenous illumination
- Protection class IP 67
- Low levels of heat produced
- External trigger input
- High efficiency
- Light intensity can be adjusted
- Sturdy housing design



Safety instructions

The Instruments are not to be used for safety applications, in particular applications in which safety of persons depends on proper operation of the instruments.

These instruments shall exclusively be used by qualified personnel.



| TECHNICAL INFORMATION (typ.) | |
|------------------------------|--|
| Size | +20°C, 24V DC 105 x 130 x 12 mm (Dimensions) Ø 70 mm (Diameter) |
| Design | Dark field lights |
| Illuminated area | Ø 70 mm |
| Characteristics | Internal control of power output, Trigger input |
| Light colour | Blue, 465 nm |
| Emission angle | 30° |
| Service voltage | 10 ... 35 V DC (Supply Class 2) |
| Internal power consumption | 200 mA, (24 V DC) |
| Trigger input low level | 0 ... <2,8 V |
| Trigger input high level | > 3,3 ... 35 V |
| Power | 5,0 W (24 V DC) |
| Shock-/vibration load | 10 ... 55 Hz / 1,0 mm / 30 g |
| Inverse polarity protection | Yes |
| Display | LED: green - operation indicator |
| On-delay time (Trig.) | 0,400 ms |
| Switch off delay (Trig.) | 0,120 ms |
| Ambient temperature | 0 ... +40 °C permanent operation |
| Insulation voltage endurance | 500 V |
| Protection class | IP 67 |
| Protection degree | III, operation on protective low voltage |
| Risk group (DIN EN 62471) | Risk group 1 |
| Casing material | Aluminium black anodized |

BEK-D70-G3TI-K-BS
Darkfield Light



| TECHNICAL INFORMATION (typ.) | +20°C, 24V DC |
|-------------------------------------|---|
| Connection | Cable, 300 mm, + connector M12, 3-poled |
| Connecting cable | VK ... |