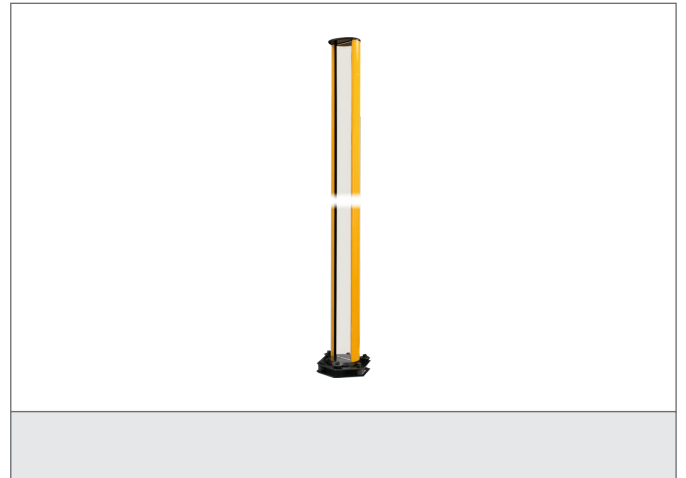


FMC-S2000

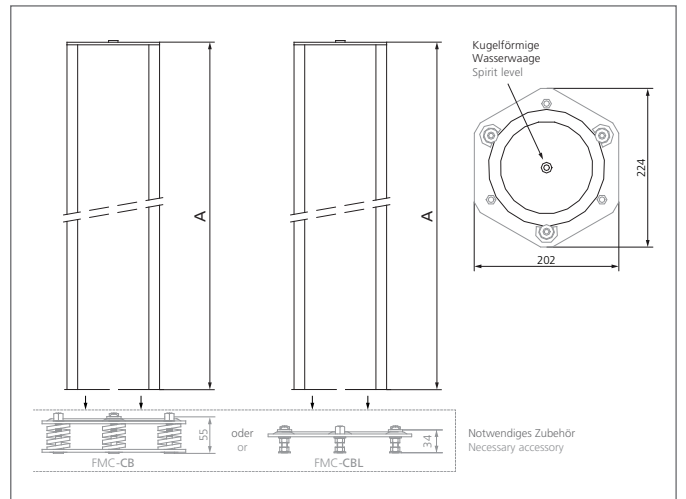
Column with deflection mirror

- For the realization of circumferential protections up to 4 sides
- Not more than one safety light curtain / -grid necessary
- Special models equipped with a protective anti-fragmentation film on the mirrors available on request
- Robust column made by aluminium extrusion poles
- With adjustable angular orientation
- Optical power reduction factor 15% for each mirror
- Built-in spirit level for a correct positioning of the vertical axis



Safety instructions

All the installation, connection and safety regulations, as per our technical information, have to be strictly adhered to.
The set-up of the products have to be made by skilled staff, only.
Repair exclusively made by di-soric.



TECHNICAL INFORMATION (typ.)

Total height (A)	1.970 mm
Operating principle	Mounting column with deflection mirror
Number	1 (deflection mirror)
Characteristics	built-in spirit level
Ambient temperature	-10 ... +50 °C (mirrors)
For	all light curtains with a protected height up to 1.810 mm
Casing material	aluminium extrusion poles, epoxy powder coated, plastics
Model	pre-assembled
Scope of delivery	assembly instruction, Fixing material
Optical power reduction factor	15 %