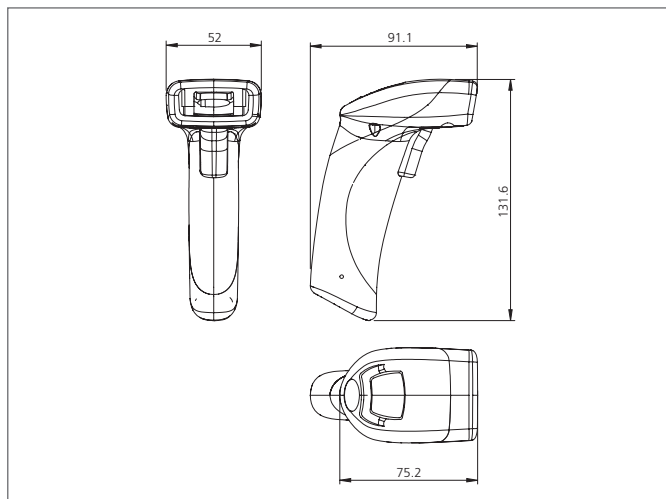


## ID-08-IM3-2-U

### ID-Handheld

- Dual-field-optics for wide and high density fields
- Reading distance: 38...394 mm
- Reads 1D- and 2D-Symbologies, including DPM
- Robust and ergonomic design



<b>TECHNICAL INFORMATION (typ.)</b>		<b>+20°C, 5V DC</b>
Size		131 x 52 x 91 mm (Dimensions)
Service voltage		5 V DC
Internal power consumption		450 mA
Resolution		1.280 x 960 pixel
Interface		USB
Ambient temperature		-20 ... +55 °C
Protection class		IP 54
Connection		USB-Cable 1.8 m, (included in delivery)
Symbologies - 1D-Codes		Code 39, Code 93, Code 128, Interleaved 2 of 5, UPC / EAN, Codabar
Symbologies - 2D-Codes		Data Matrix (ECC 0-200), QR Code, Micro QR Code, Aztec Code
Symbologies - Stacked codes		PDF 417, Micro PDF 417, GS1 Databar (Composite & Stacked)
Weight		110 g
Reading speed		Up to 10 decodings / s
Position scanner to code		Tilt 180°, Pitch ± 60°, Skew ± 60°
Image sensor		CMOS