

# ID-08-IM3-2-S

## ID-Handheld

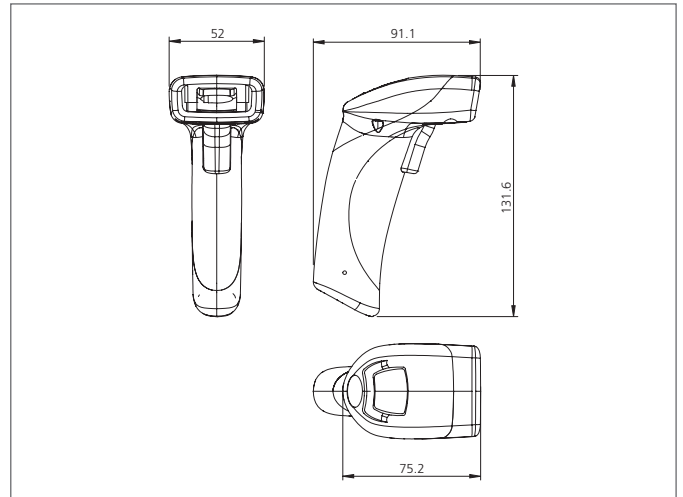


- Dual-field-optics for wide and high density fields
- Reading distance: 38...394 mm
- Reads 1D- and 2D-Symbologies, including DPM
- Robust and ergonomic design



### Safety instructions

The Instruments are not to be used for safety applications, in particular applications in which safety of persons depends on proper operation of the instruments.  
 These instruments shall exclusively be used by qualified personnel.



TECHNICAL INFORMATION (typ.)	+20°C, 5V DC
Size	131 x 52 x 91 mm (Dimensions)
Service voltage	5 V DC
Internal power consumption	450 mA
Resolution	1.280 x 960 pixel
Interface	RS 232 (when operated with ID-K-U/S-2.5)
Ambient temperature	-20 ... +55 °C
Protection class	IP 54
Connection	RS 232 spiral cable 2.4 m including power supply, (included in delivery)
Symbologies - 1D-Codes	Code 39, Code 93, Code 128, Interleaved 2 of 5, UPC / EAN, Codabar
Symbologies - 2D-Codes	Data Matrix (ECC 0-200), QR Code, Micro QR Code, Aztec Code
Symbologies - Stacked codes	PDF 417, Micro PDF 417, GS1 Databar (Composite & Stacked)
Weight	110 g
Reading speed	Up to 10 decodings / s
Position scanner to code	Tilt 180°, Pitch ± 60°, Skew ± 60°
Image sensor	CMOS