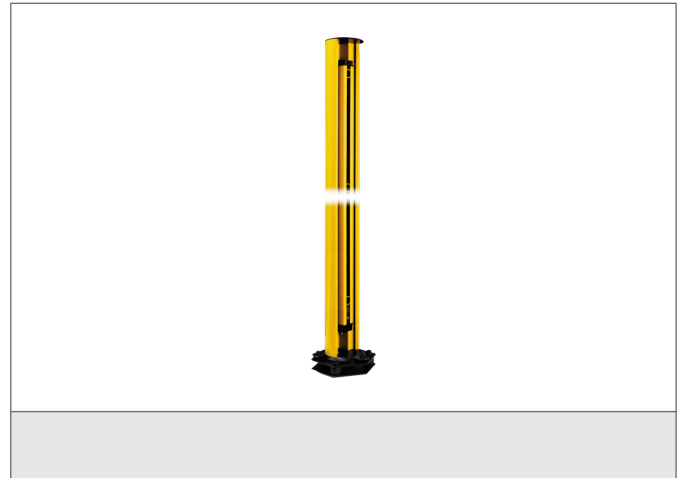


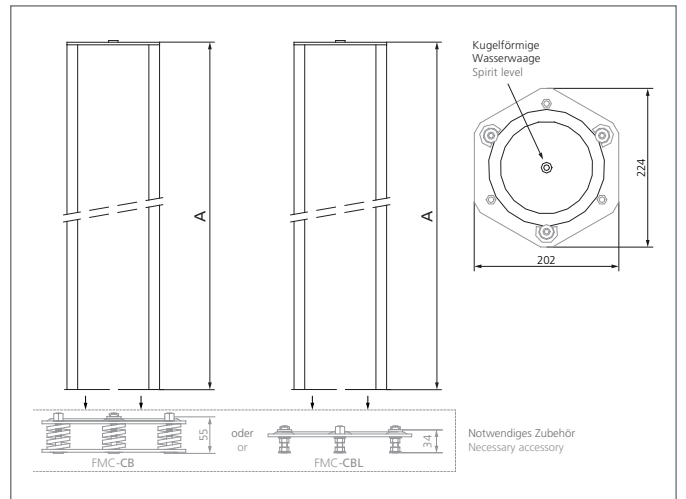
## FMC-EB2000 Mounting column

- Easy assembling and disassembling of the light curtain
- Easy height adjustment of the first beam
- Robust column made by aluminium extrusion poles
- With adjustable angular orientation
- Built-in spirit level for a correct positioning of the vertical axis



### Safety instructions

All the installation, connection and safety regulations, as per our technical information, have to be strictly adhered to.  
The set-up of the products have to be made by skilled staff, only.  
Repair exclusively made by di-soric.



### TECHNICAL INFORMATION (typ.)

Total height (A)	1.970 mm
Operating principle	Mounting column
Characteristics	built-in spirit level
For	all light curtains with a protected height up to 1.810 mm
Casing material	aluminium extrusion poles, epoxy powder coated, plastics
Scope of delivery	assembly instruction, 2 adjustable fixing brackets, Fixing material