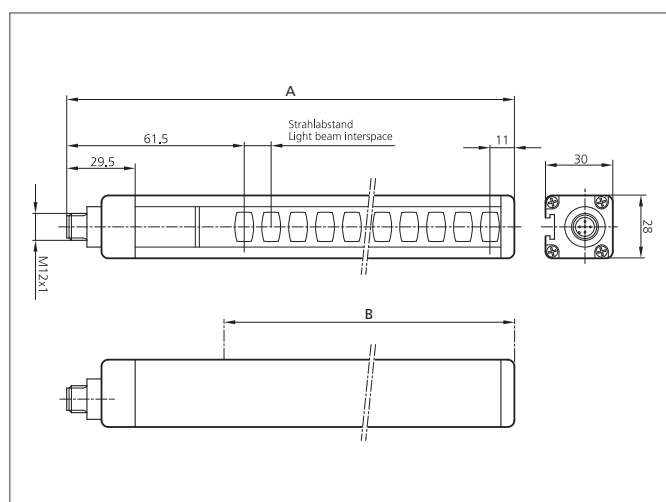
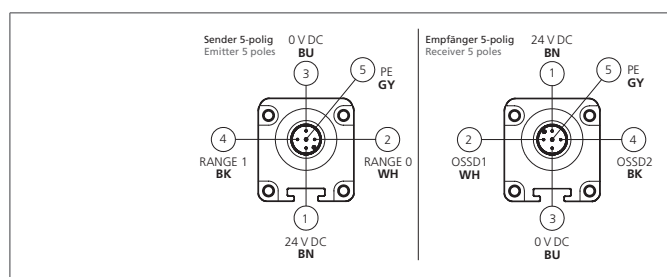


SLB4-155 Safety light curtain

- Highest safety level
- Resolution for body protection and presence control
- Protection area until end of profile
- Parameterisation via connecting cable
- Easy and fast startup
- Automatic Start/Restart
- For Modular Safety Controller / safety relays
- Unshielded connecting cables to 100 m
- High protection class



Safety instructions

All the installation, connection and safety regulations, as per our technical information, have to be strictly adhered to. The set-up of the products have to be made by skilled staff, only. Repair exclusively made by di-soric.

| TECHNICAL INFORMATION (typ.) | +20°C, 24 V DC |
|------------------------------|---|
| Safety level | Type 4 (IEC/TS 61496-2), SIL 3 (IEC 61508), SILCL 3 (IEC 62061), PL e - Cat. 4 (EN ISO 13849-1) |
| Security level | Body protection |
| Total height (A) | 213 mm |
| Protective field height (B) | 160 mm |
| Model | Basic |
| Mounting | T-shaped slot (Backside), / Holder SFB E 180 (optional) |
| Number of beams | 4 |
| Emitted light | Infrared, 950 nm |
| Safety output | PNP (2x), 400 mA / 24 V DC |
| Service voltage | 19,2 ... 28,8 V DC |
| Operating distance | 4 m (Low Range) / 12 m (High Range) |
| Resolution | 50 mm |
| Inverse polarity protection | Yes |
| Display | LEDs for light curtain's status and diagnostic |
| Start / restart | Automatic |
| Short-circuit protection | yes |
| Reaction time | 3 ms |
| Ambient temperature | -20 ... +55 °C |
| Protection class | IP 65, IP 67 |
| Protection degree | III, operation on protective low voltage |
| Casing material | Aluminium |
| Material | polycarbonate (Window) |

SLB4-155

Safety light curtain



| TECHNICAL INFORMATION (typ.) | +20°C, 24 V DC |
|------------------------------|---|
| Connection | M12, 5-poled for transmitter and receiver, Connector |
| Cable | unshielded connection cables max. 100 m |
| Scope of delivery | Emitter + receiver, one set of standard fixing brackets SA 4, CD-ROM containing the multi-language instruction manual, quick installation guide |