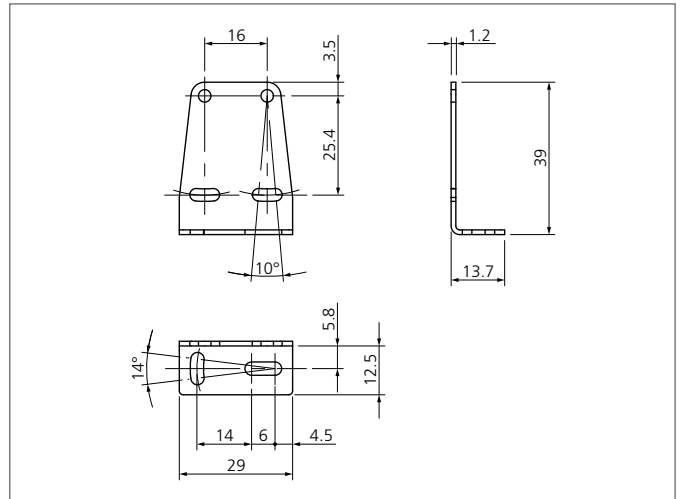
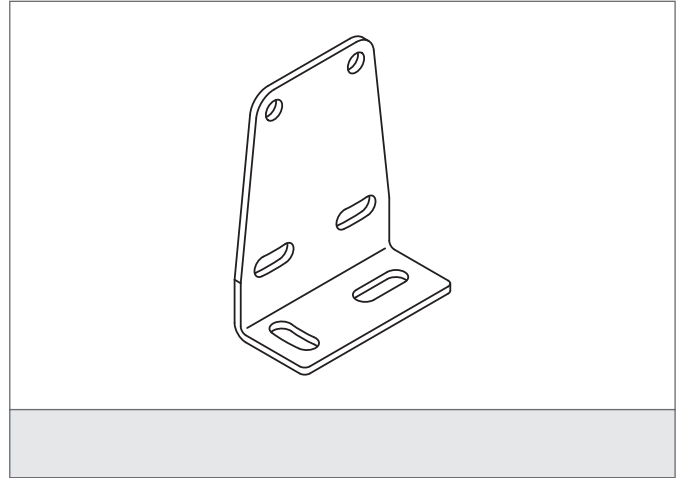


BW 31-39 Mounting Bracket

- Adjustable
- Robust design
- Mounting materials included in scope of delivery



TECHNICAL INFORMATION (typ.)

Hole spacing	25.4 mm
Mounting	hole
For	Sensors Opto Series 30
Casing material	stainless steel
Scope of delivery	Mounting bracket, Fixing material