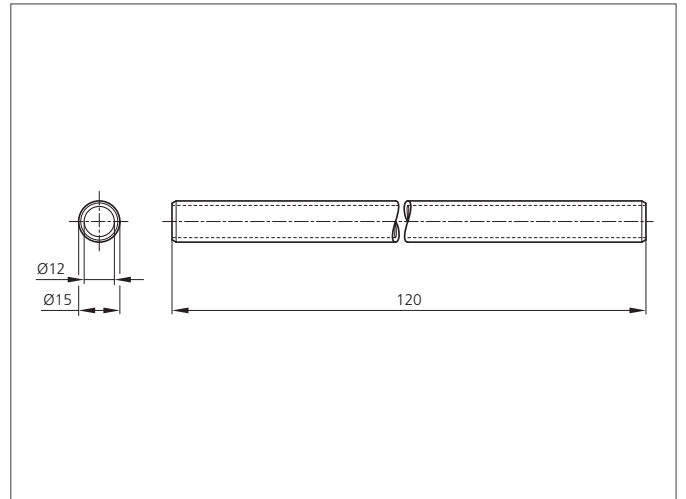
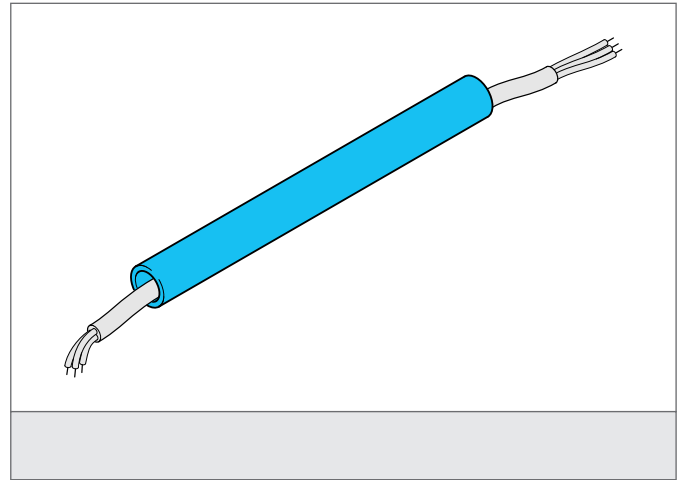


## HS-R-15-150-V Mounting tube

- Highly flexible versatile mounting system
- All-purpose mounting
- Smooth adjustment
- Robust design



### TECHNICAL INFORMATION (typ.)

Dimension	Ø 15 mm (Diameter assembly tap/drilling)
Casing material	stainless steel
Product series	System holder HS