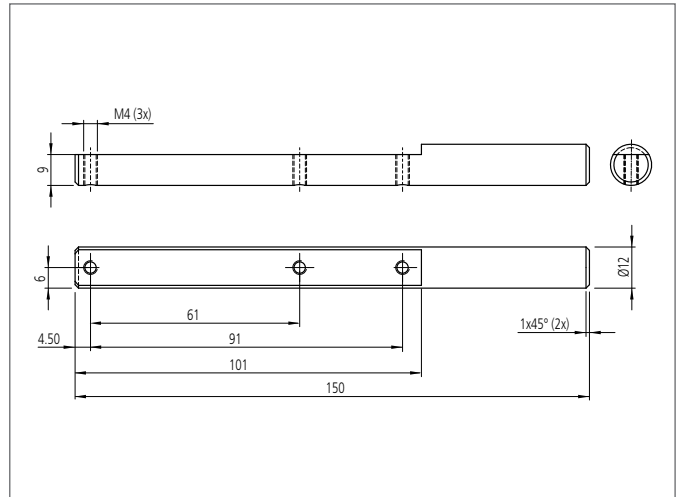
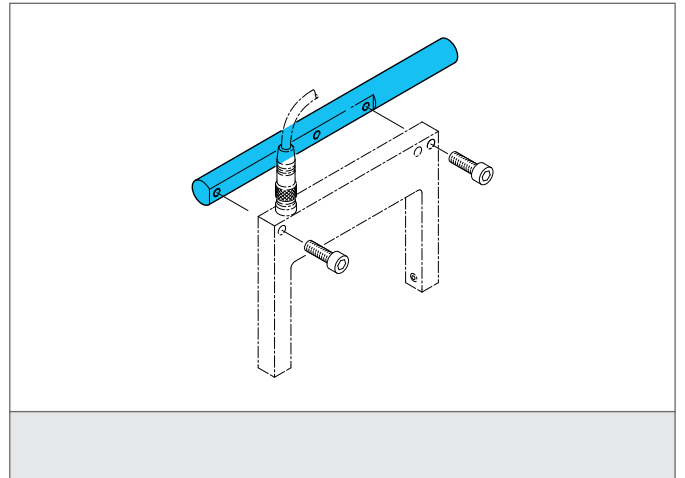


HS-PH-12-150-V

Product holder

- Highly flexible versatile mounting system
- All-purpose mounting
- Smooth adjustment
- Robust design



TECHNICAL INFORMATION (typ.)

Dimension	Ø 12 mm (Diameter assembly tap/drilling)
For	Fork light barriers OGUxx 08x ...
Casing material	stainless steel
Product series	System holder HS